



L-Series



The LiteLED L-Series is a linear LED luminaire manufactured from the highest grade extruded anodised aluminium and CNC machined aluminium parts. This unit provides excellent wall grazing capabilities utilising latest LED technology from Lumileds™ with a Luxeon K2 and Rebel option for more light output. A full range of alternative optics are available offering different beam angles for alternative applications from wall washing to down lighting areas. This unit is truly designed with flexibility in mind due to the multiple configurations of LED quantities and optics offered. The unit is ideal for indoor and outdoor use.

Lighting Design Tip: This luminaire offers unrivaled light output when using high end flux bin K2 LEDs. For further LED specification options please consult LiteLED.

Photo courtesy of Lighting Effects Distribution



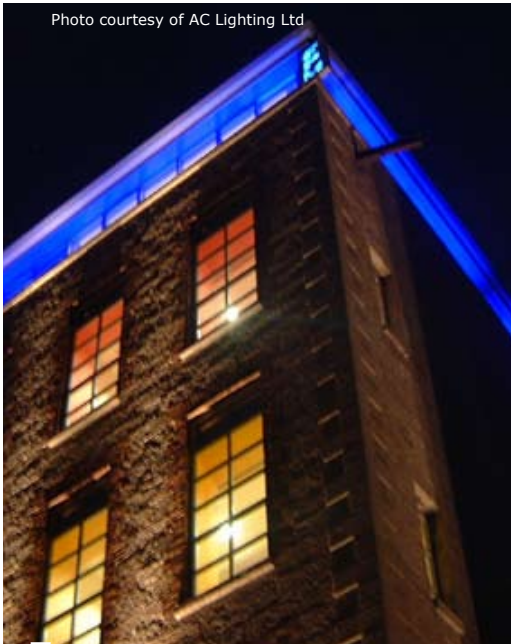
applications



options



Photo courtesy of AC Lighting Ltd



lighting data

Light Source	High power LED options
Number of LEDs	12 - 36
Lumen Output	Please consult LiteLED for latest data
Lifetime	50,000 hours
CRI	90 for warm white

electrical data

Input Current	350ma
Power	1.2 per LED
Driver	Series LED Driver, RGB Driver
Connections	Pre-fit 0.2m lead & 5m extension with IP68 connector

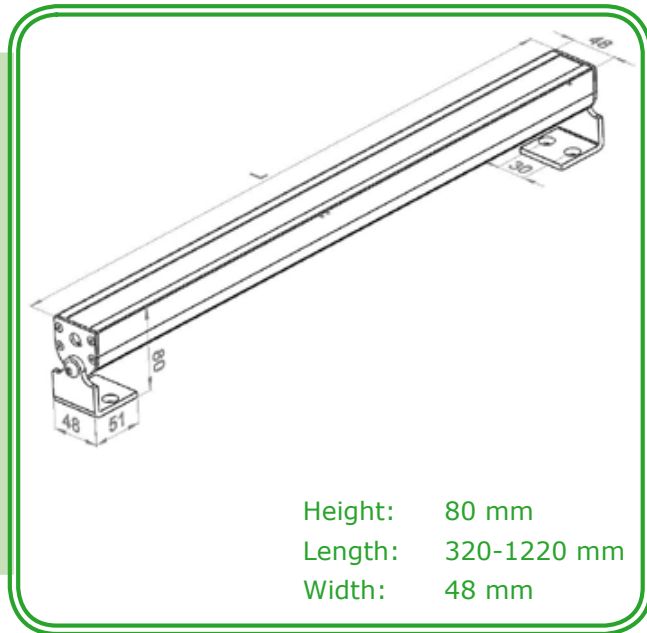
luminaire data

Watts	1.2/LED at 350ma
Temperature	-10c to 40c
Finishes	Anodised Silver or RAL Powder Coated
IP Rating	IP67
Weight	1 - 3.5KG

L-Series

features & benefits

- White LED colour and flux binning options available
- Long operating life in excess of 50,000 hours
- Optimised thermal management
- Highest flux LED technology in the world
- Luxeon K2 and Rebel options available
- Compact low profile design
- Simple Plug and Play operation
- Compatible with alternative optical arrangement
- No Ultra violet
- Energy Efficient
- IP 67



Height: 80 mm
 Length: 320-1220 mm
 Width: 48 mm

product code colour change

Product Approx Length & No. of LEDs

L300-12
 L400-12
 L600-24
 L800-24
 L900-36
 L1200-36

LED Type

K2 - Luxeon K2 LED Option
 REB - Rebel
 Leave blank for standard 1 watt option

Colour

W,WW,NW - Multi White
 RGB - Colour Change

Optics

006 - Spot
 015 - Narrow
 025 - Medium
 045 - Wide
 825 - Wall Wash
 110 - No Optics

L600-24-K2-RGB-025

product code single colour

Product Approx Length & No. of LEDs

L300-12
 L400-12
 L600-24
 L800-24
 L900-36
 L1200-36

LED Type

K2 - Luxeon K2 LED Option
 REB - Rebel
 Leave blank for standard 1 watt option

Colour

R - Red
 G - Green
 RB - Royal Blue
 C - Cyan
 A - Amber
 W - White
 WW - Warm White
 NW - Neutral White

Optics

006 - Spot
 015 - Narrow
 025 - Medium
 045 - Wide
 825 - Wall Wash
 110 - No Optics

L800-24-K2-WW-025

linked products

Colour change drivers:
 LiteLED-RGB Driver

Single Colour drivers:
 Please Consult LiteLED