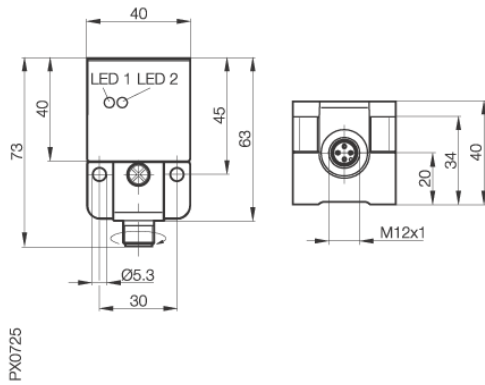


Inductive Sensors
BES Q40KEU-NAH25F-S04G-001
40 x 40 x 73
Complementary
Sn=25mm
unshielded



PX0725

Common Data

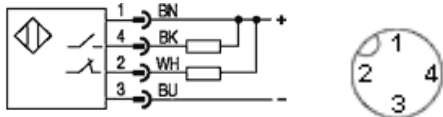
Product name	Unicomcompact
Mounting in steel	unshielded
Rated operating distance Sn	25mm
Assured operating distance Sa	0...20mm
Repeatability R	<= 5%
Hysteresis	<= 15%
Power indication	yes
Function indication	yes
Ambient temperature range	-25...+70°C
Polution Degree	3
IEC-Code	I2C40AN2
Time delay before availability	<= 30ms

Mechanical Data

Measurements BxHxT or DxT	40 x 40 x 73mm
Housing material	PBTP/Gd ZnAl4Cu1
Material of sensing face	PBTP
Degree of protection	IP67IP
Connection	Connector S4
Schock: Halfsinus, 30 gn, 11ms	
Vibration: 55 Hz, 1mm Amplitude, 3 x 30 Minutes	

Electrical Data

Current type	DC
Wiring	4-Wire
switching function	Complementary
Output signal	NPN
Rated operational voltage	24 DCV
Rated operational current	200mA
Supply voltage	10...55 DCV
Ripple	<= 15%
No-load supply current	<= 20/<= 15mA
Off-state current	<= 80µA
Voltage drop	<= 2.5/-V
Short circuit protection	yes
Protected against polarity reversal	yes



Utilization categories DC 13
 Insulation class II

Datasheet number:

Definitions see general catalog.
 If not otherwise noted, ratings according to IEC 60947-5-2 (DIN EN60947-5-2)

Balluff GmbH
 P.O.Box 1160
 73761 Neuhausen Germany
 Phone (07158) 173-0 Fax (07158) 5010

Datenblatt by CD-ROM - 10/2004

