

## DS90LV017

### LVDS Single High Speed Differential Driver

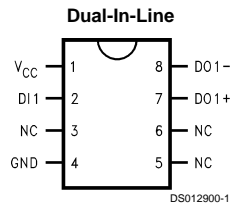
#### General Description

The DS90LV017 is a single LVDS driver device optimized for high data rate and low power applications. The DS90LV017 is a current mode driver allowing power dissipation to remain low even at high frequency. In addition, the short circuit fault current is also minimized. The device is in a 8-lead small Outline Package. The DS90LV017 has a flow-through design for easy PCB layout. The differential driver outputs provides low EMI with its low output swings typically 340 mV.

#### Features

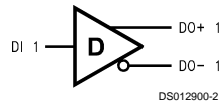
- Ultra Low Power Dissipation
- Operating Range above 155 Mbps
- Flow-through pinout simplifies PCB layout
- Conforms to TIA/EIA-644 Standard
- 8-Lead SOIC Package Saves Space
- $V_{CM} \pm 1V$  center around 1.2V
- Low Differential Output Swing Typical 340 mV
- Power Off Protection (outputs in high impedance)

#### Connection Diagram



**Order Number DS90LV017M**  
See NS Package Number M08A

#### Functional Diagram



## Absolute Maximum Ratings (Note 1)

If Military/Aerospace specified devices are required, please contact the National Semiconductor Sales Office/Distributors for availability and specifications.

Supply Voltage ( $V_{CC}$ )	-0.3V to +6V
Input Voltage (DI)	-0.3V to ( $V_{CC} + 0.3V$ )
Output Voltage (DO±)	-0.3V to +3.9V
Maximum Package Power Dissipation @ +25°C	
M Package	1190 mW
Derate M Package	9.5 mW/°C above +25°C
Storage Temperature Range	-65°C to +150°C

Lead Temperature Range

Soldering (4 sec.)

+260°C

ESD Rating (Note 4)

(HBM 1.5 kΩ, 100 pF)

≥ 4.5 kV

## Recommended Operating Conditions

	Min	Typ	Max	Units
Supply Voltage ( $V_{CC}$ )	3.0	3.3	3.6	V
Temperature ( $T_A$ )	0	25	70	°C

## Electrical Characteristics

Over Supply Voltage and Operating Temperature ranges, unless otherwise specified. (Notes 2, 3, 7)

Symbol	Parameter	Conditions	Pin	Min	Typ	Max	Units	
<b>DIFFERENTIAL DRIVER CHARACTERISTICS</b>								
$V_{OD}$	Output Differential Voltage	$R_L = 100\Omega$ (Figure 1)	DO+, DO-	250	340	450	mV	
$\Delta V_{OD}$	$V_{OD}$ Magnitude Change			0	10	35	mV	
$V_{OH}$	Output High Voltage				1.43	1.6	V	
$V_{OL}$	Output Low Voltage			0.9	1.09		V	
$V_{OS}$	Offset Voltage			0.9	1.25	1.6	V	
$\Delta V_{OS}$	Offset Magnitude Change			0	5	25	mV	
$I_{OZD}$	TRI-STATE® Leakage	$V_{OUT} = V_{CC}$ or GND		0	±1	±10	µA	
$I_{OXD}$	Power-off Leakage	$V_{OUT} = 3.6V$ or GND, $V_{CC} = 0V$		0	±1	±10	µA	
$I_{OSD}$	Output Short Circuit Current				-4	-6	mA	
$V_{IH}$	Input High Voltage		DI	2.0		$V_{CC}$	V	
$V_{IL}$	Input Low Voltage			GND			0.8	V
$I_{IH}$	Input High Current	$V_{IN} = 3.6V$ or 2.4V				±1	±10	µA
$I_{IL}$	Input Low Current	$V_{IN} = GND$ or 0.5V				±1	±10	µA
$V_{CL}$	Input Clamp Voltage	$I_{CL} = -18$ mA		-1.5	-0.8		V	
$I_{CC}$	Power Supply Current	No Load	$V_{IN} = V_{CC}$ or GND	$V_{CC}$		1	4	mA
		$R_L = 100\Omega$				4.5	7	mA

## Switching Characteristics

Over Supply Voltage and Operating Temperature Ranges, unless otherwise specified. (Notes 5, 6)

Symbol	Parameter	Conditions	Min	Typ	Max	Units
<b>DIFFERENTIAL DRIVER CHARACTERISTICS</b>						
$t_{PHLD}$	Differential Propagation Delay High to Low	$R_L = 100\Omega$ , $C_L = 5$ pF (Figure 2 and Figure 3)	1.5	3.4	6	ns
$t_{PLHD}$	Differential Propagation Delay Low to High		1.5	3.5	6	ns
$t_{SKD}$	Differential Skew $ t_{PHLD} - t_{PLHD} $		0	0.1	1.9	ns
$t_{TLH}$	Transition Low to High Time		0	1	3	ns
$t_{THL}$	Transition High to Low Time		0	1	3	ns

**Note 1:** "Absolute Maximum Ratings" are those values beyond which the safety of the device cannot be guaranteed. They are not meant to imply that the devices should be operated at these limits. The table of "Electrical Characteristics" specifies conditions of device operation.

**Note 2:** Current into device pins is defined as positive. Current out of device pins is defined as negative. All voltages are referenced to ground except  $V_{OD}$ .

**Note 3:** All typicals are given for:  $V_{CC} = +3.3V$  and  $T_A = +25^\circ C$ .

**Note 4:** ESD Rating: HBM (1.5 kΩ, 100 pF) ≥ 4.5 kV

**Note 5:**  $C_L$  includes probe and fixture capacitance.

**Note 6:** Generator waveform for all tests unless otherwise specified:  $f = 1$  MHz,  $Z_O = 50\Omega$ ,  $t_r \leq 6$  ns,  $t_f \leq 6$  ns (10%-90%).

**Note 7:** The DS90LV017 is a current mode device and only function with datasheet specification when a resistive load is applied to the drivers outputs.

## Parameter Measurement Information

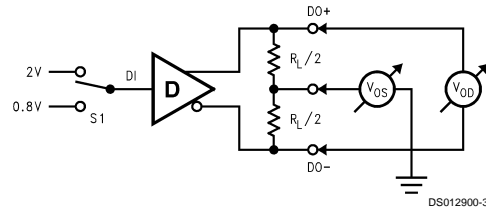


FIGURE 1. Differential Driver DC Test Circuit

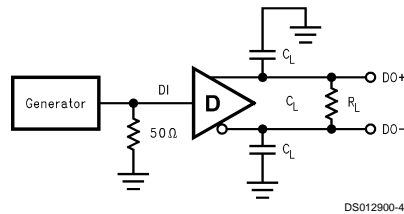


FIGURE 2. Differential Driver Propagation Delay and Transition Time Test Circuit

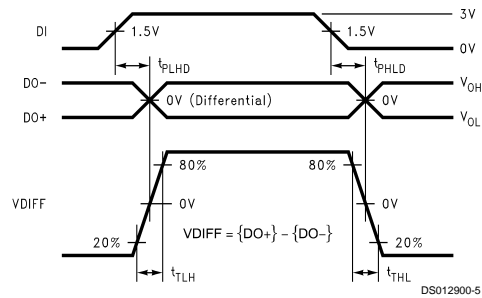


FIGURE 3. Differential Driver Propagation Delay and Transition Time Waveforms

## Application Information

### Truth Table

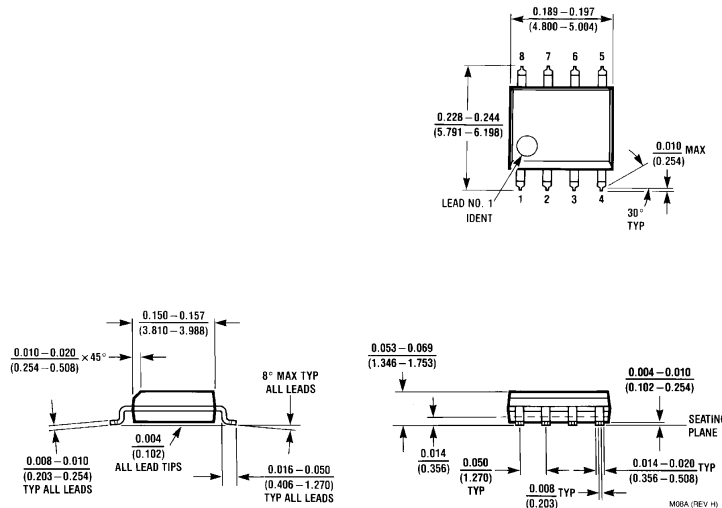
Input/Output			
DI	DO+	DO-	
L	L	H	
H	H	L	
DI > 0.8V and DI < 2.0V	X	X	

H = Logic high level  
L = Logic low level  
X = indeterminant

TABLE 1. Device Pin Descriptions

Pin #	Name	Description
2	DI	TTL/CMOS driver input pins
7	DO+	Non-inverting driver output pin
8	DO-	Inverting driver output pin
4	GND	Ground pin
1	V <sub>CC</sub>	Positive power supply pin, +3.3V ± 0.3V
3, 5, 6	NC	No connect

**Physical Dimensions** inches (millimeters) unless otherwise noted



**Order Number DS90LV017M**  
**NS Package Number M08A**

**LIFE SUPPORT POLICY**

NATIONAL'S PRODUCTS ARE NOT AUTHORIZED FOR USE AS CRITICAL COMPONENTS IN LIFE SUPPORT DEVICES OR SYSTEMS WITHOUT THE EXPRESS WRITTEN APPROVAL OF THE PRESIDENT OF NATIONAL SEMICONDUCTOR CORPORATION. As used herein:

1. Life support devices or systems are devices or systems which, (a) are intended for surgical implant into the body, or (b) support or sustain life, and whose failure to perform when properly used in accordance with instructions for use provided in the labeling, can be reasonably expected to result in a significant injury to the user.
2. A critical component in any component of a life support device or system whose failure to perform can be reasonably expected to cause the failure of the life support device or system, or to affect its safety or effectiveness.



**National Semiconductor Corporation**  
 Americas  
 Tel: 1-800-272-9959  
 Fax: 1-800-737-7018  
 Email: support@nsc.com

**National Semiconductor Europe**  
 Fax: +49 (0) 1 80-530 85 86  
 Email: europe.support@nsc.com  
 Deutsch Tel: +49 (0) 1 80-530 85 85  
 English Tel: +49 (0) 1 80-532 78 32  
 Français Tel: +49 (0) 1 80-532 93 58  
 Italiano Tel: +49 (0) 1 80-534 16 80

**National Semiconductor Asia Pacific Customer Response Group**  
 Tel: 65-2544466  
 Fax: 65-2504466  
 Email: sea.support@nsc.com

**National Semiconductor Japan Ltd.**  
 Tel: 81-3-5620-6175  
 Fax: 81-3-5620-6179

www.national.com

National does not assume any responsibility for use of any circuitry described, no circuit patent licenses are implied and National reserves the right at any time without notice to change said circuitry and specifications.