



EMULATION TECHNOLOGY, INC.

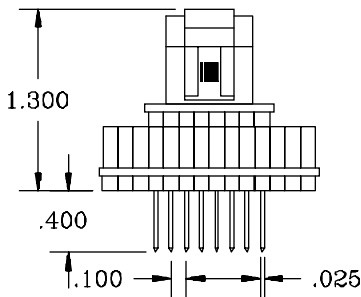
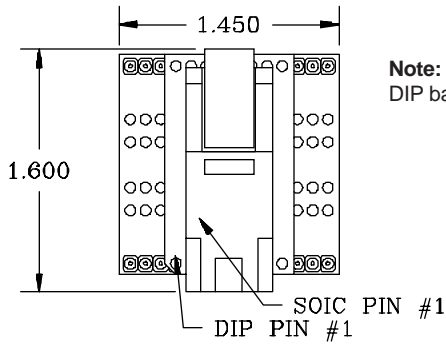
PROGRAMMING ADAPTER SPECIFICATION

Item: 161602S300
Description: AS-16-16-02S-3

REPLACEMENT SOCKET: S-SOL-00-016-B

Call Emulation Technology for a replacement socket price and delivery quote.

TYPICAL DIMENSIONS:



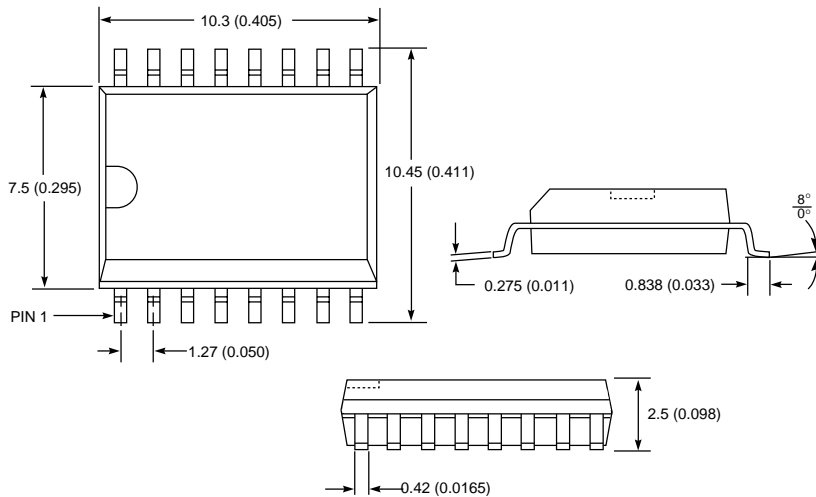
All Dimensions in Inches.

(Assembly Drawing: F2045)

CONNECTION TABLE:

16-Lead SOIC SOCKET	16-Pin DIP Base
1	1
2	2
3	3
4	4
5	5
6	6
7	7
8	8
9	9
10	10
11	11
12	12
13	13
14	14
15	15
16	16

PACKAGE SPECIFICATIONS:



All Dimensions in Millimeters and (Inches).

ET Code: 016-SO03

Compatible SOIC devices:

- 82S23/A
- 82S123/A
- 82S126/A
- 82S129/A
- 82S130/A
- 82S131/A

Manufacturers:

- Philips Semiconductor
- Signetics



EMULATION TECHNOLOGY, INC.

2344 WALSH AVENUE • BUILDING F
SANTA CLARA, CA 95051-1301

TEL 408 / 982.0660 • FAX 408 / 982.0664

Call today for a FREE Full Line Catalog and Unlimited Application Consulting!