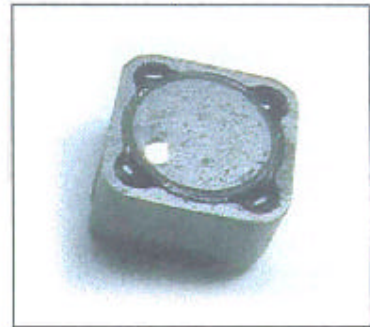


SMD POWER INDUCTORS

MODEL NO. : SDT-1207P SERIES (CDRH127B COMPATIBLE)

FEATURES:

- * SUPERIOR QUALITY FOR AN AUTOMATED PRODUCTION LINE.
- * PICK AND PLACE COMPATIBLE.
- * TAPE AND REEL PACKING.



APPLICATION :

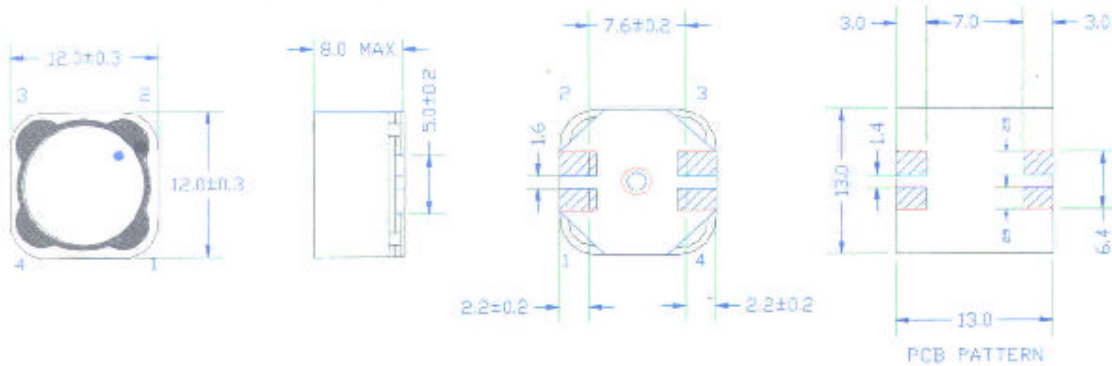
- * NOTEBOOK COMPUTERS. * PDA. * LOGIC IC POWER SUPPLY

ELECTRICAL SPECIFICATION:

MODEL NO	INDUCTANCE ($\mu\text{H} \pm 30\%$) PRI	TURN RATIO PRI : SEC	RATED CURRENT (ADC)		DCR MAX (Ω)	
			PRI	SEC	PRI	SEC
SDT-1207P-4R7-122	4.7	1:2.2	5.5	0.30	0.025	0.10
SDT-1207P-100-122	10	1:2.2	5.5	0.30	0.035	0.30

NOTE(1): TEST FREQUENCY: 1 kHz, 1 VRMS.

PHYSICAL DIMENSION(UNIT : mm)



TEST CIRCUIT :

