

# SMD POWER INDUCTORS

MODEL NO. : SDT-1205P SERIES (CDRH125B COMPATIBLE)

**FEATURES:**

- \* SUPERIOR QUALITY FOR AN AUTOMATED PRODUCTION LINE.
- \* PICK AND PLACE COMPATIBLE.
- \* TAPE AND REEL PACKING.



**APPLICATION :**

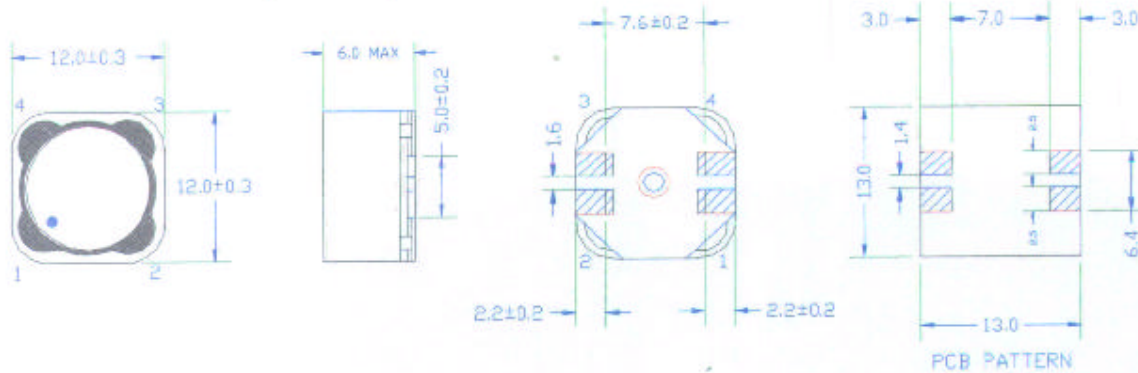
- \* NOTEBOOK COMPUTERS.   \* PDA.   \* LOGIC IC POWER SUPPLY

**ELECTRICAL SPECIFICATION:**

MODEL NO	INDUCTANCE ( $\mu\text{H} \pm 30\%$ ) PRI	TURN RATIO PRI : SEC	RATED CURRENT (ADC)		DCR MAX ( $\Omega$ )	
			PRI	SEC	PRI	SEC
SDT-1205P-100-122	10	1:2.2	4.5	0.20	0.035	0.29

NOTE(1): TEST FREQUENCY: 1 kHz, 1 VRMS.

**PHYSICAL DIMENSION(UNIT : mm)**



**TEST CIRCUIT :**

