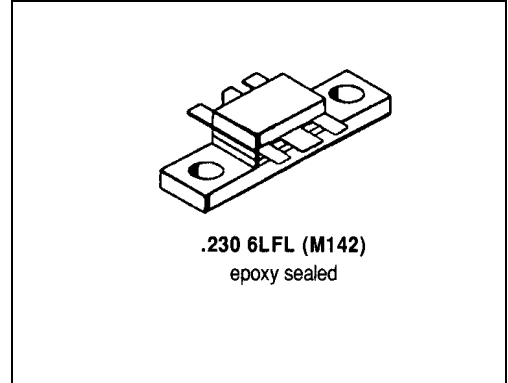


MS1455

**RF & MICROWAVE TRANSISTORS
800 - 900 MHz APPLICATIONS**

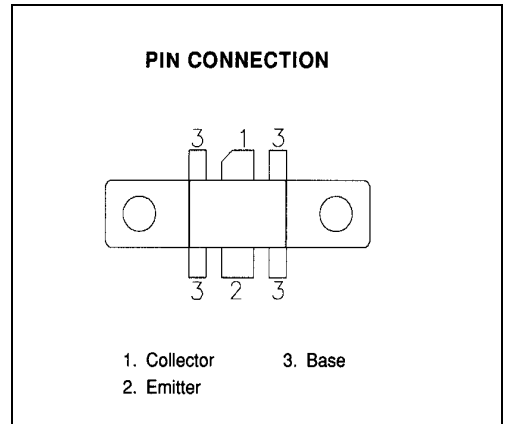
Features

- 836 MHz
- 12.5 VOLTS
- $P_{OUT} = 45$ WATTS
- $G_P = 4.7$ dB MINIMUM
- COMMON BASE CONFIGURATION



DESCRIPTION:

The MS1455 is a 12.5 V Class C epitaxial silicon NPN planar transistor designed for amplifier applications in the 806-866 MHz frequency range. Internal impedance matching assures optimum gain and efficiency across the entire frequency band. Gold metalization and emitter ballast resistors assures infinite VSWR capability and long term reliability.



ABSOLUTE MAXIMUM RATINGS (Tcase = 25°C)

Symbol	Parameter	Value	Unit
V_{CBO}	Collector-Base Voltage	36	V
V_{EBO}	Emitter-Base Voltage	4.0	V
V_{CEO}	Collector-Emitter Voltage	18	V
V_{CES}	Collector-Emitter Voltage	36	V
P_{DISS}	Power Dissipation	150	W
I_C	Device Current	9.0	A
T_J	Junction Temperature	200	°C
T_{STG}	Storage Temperature	-65 to +150	°C

Thermal Data

$R_{TH(J-C)}$	Thermal Resistance Junction-case	1.2	°C/W
---------------	----------------------------------	-----	------

ELECTRICAL SPECIFICATIONS (T_{case} = 25°C)
STATIC

Symbol	Test Conditions			Value			Unit
				Min.	Typ.	Max.	
BV _{CES}	I _C = 50 mA	V _{BE} = 0 V	36	---	---	V	
BV _{CEO}	I _C = 50 mA	I _B = 0 mA	18	---	---	V	
BV _{EBO}	I _E = 10 mA	I _C = 0 mA	4.0	---	---	V	
I _{CBO}	V _{CB} = 15 V	I _E = 0 mA	---	---	5	mA	
HFE	V _{CE} = 5 V	I _C = 1 A	5	---	200	---	

DYNAMIC

Symbol	Test Conditions			Value			Unit
				Min.	Typ.	Max.	
P _{OUT}	f = 836 MHz	P _{IN} = 15W	V _{CE} = 12.5V	45	---	---	W
G _P	f = 836 MHz	P _{IN} = 15W	V _{CE} = 12.5V	4.7	---	---	dB
C _{OB}	f = 1 MHz	V _{CB} = 12.5 V		---	---	105	pf

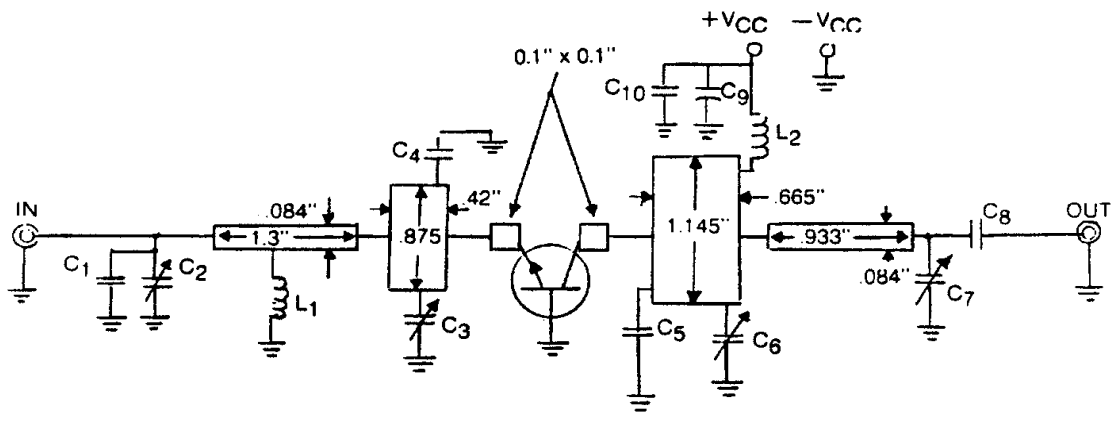
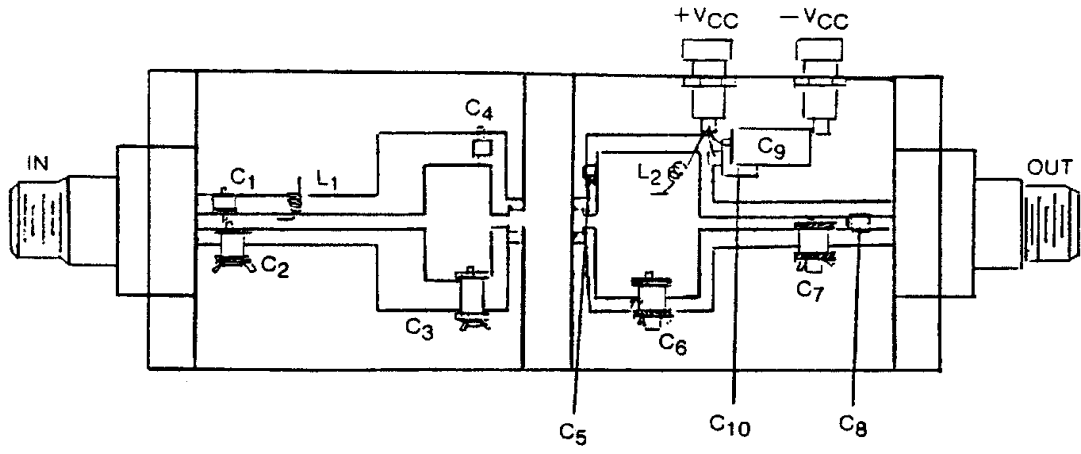
IMPEDANCE DATA

FREQ	Z _{IN} (Ω)	Z _{CL} (Ω)
806 MHz	1.4 – j4.6	1.0 – j1.5
836 MHz	2.0 – j5.2	0.95 – j1.7
866 MHz	2.3 – j5.3	0.75 – j1.7

P_{IN} = 15W
V_{CE} = 12.5V

TEST CURCUIT

MS1455



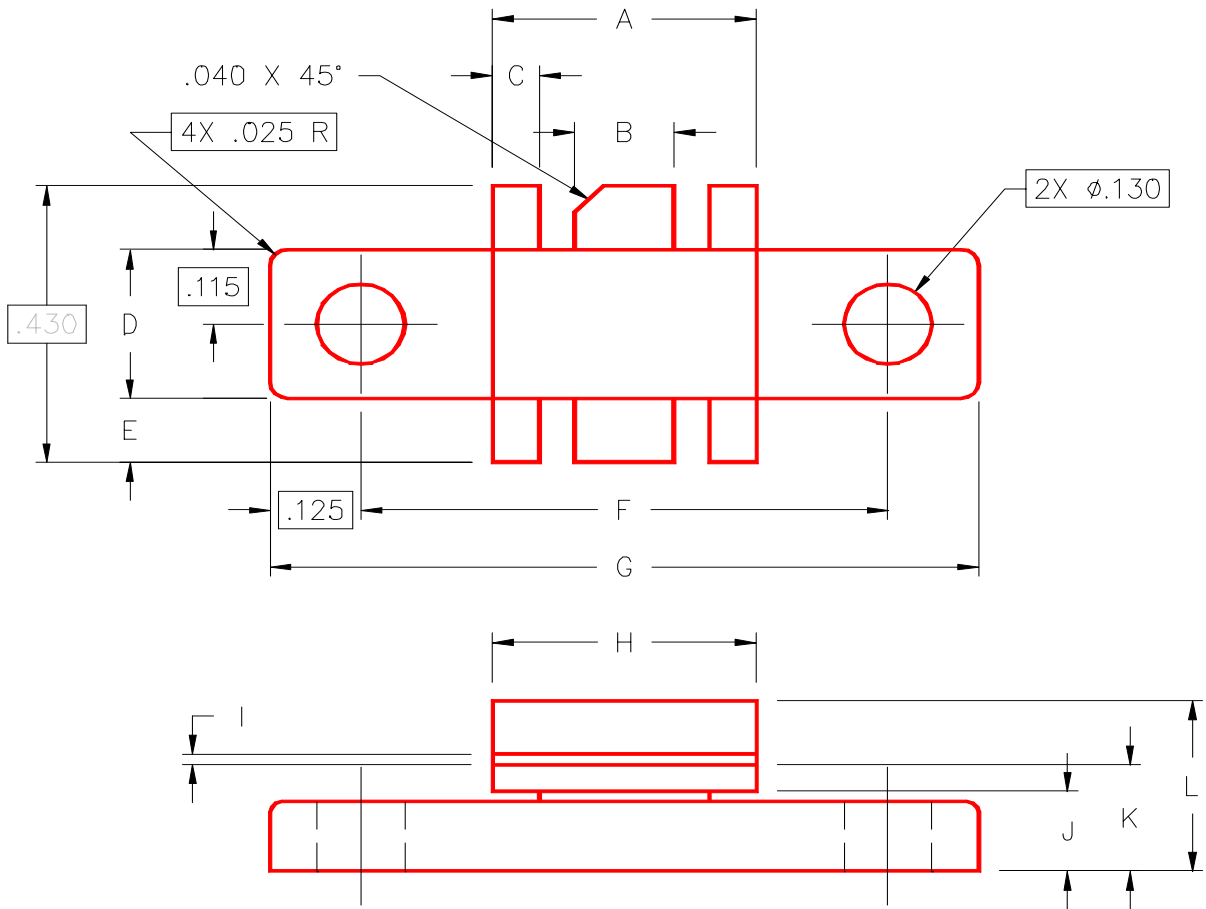
- C1, C4 : 5pF ATC 100 mils Chip Capacitor
- C2 : 1 - 12pF Variable Capacitor
- C3 : .6 - 6pF Variable Capacitor
- C5 : 2pF "A" Size Chip Capacitor
- C6, C7 : .6 - 12pF Voltronic Variable Capacitor

- C8 : 480pF ATC 100 mils Chip Capacitor
- C9 : 47µF, 63V, Electrolytic Capacitor
- C10 : 1000pF Unelco Capacitor
- L1, L2 : 5 Turns #24 AWG Enamel

Board Material: 3M-K-6098-11 12.9 mils Thick

PACKAGE MECHANICAL DATA

PACKAGE STYLE M142



	MINIMUM INCHES/MM	MAXIMUM INCHES/MM		MINIMUM INCHES/MM	MAXIMUM INCHES/MM
A	.355/9,02	.365/9,27	I	.004/0,10	.006/0,15
B	.115/2,92	.125/3,18	J	.120/3,05	.130/3,30
C	.075/1,91	.085/2,16	K	.160/4,06	.180/4,57
D	.225/5,72	.235/5,97	L	.230/5,84	.260/6,60
E	.090/2,29	.110/2,79			
F	.720/18,29	.730/18,54			
G	.970/24,64	.980/24,89			
H	.355/9,02	.365/9,27			