

# Time and hours meters electromechanic

Hour counters with DIN dimensions

Display 7-digits, VAC trigger

B 148



B 148 for AC

## Technical data - electrical ratings

|                   |                                             |
|-------------------|---------------------------------------------|
| Voltage supply    | 24 VAC, 110 VAC,<br>220..240 VAC (50/60 Hz) |
| Nominal frequency | 50 / 60 Hz                                  |
| Power consumption | 1 VA                                        |
| Gear precision    | Synchronous to mains                        |
| Approval          | CE conform                                  |

## Features

- Time and hour counter
- AC voltage
- 7-digit number wheel counter
- Measuring range 99999.99 h
- Without reset

## Description

Baumer IVO hour counters are applied anywhere to make costs become evident, to observe maintenance intervals, to define warranty periods or to record operation hours.

## Technical data - mechanical design

|                         |                                           |
|-------------------------|-------------------------------------------|
| Display                 | White numbers on black                    |
| Number of digits        | 7-digits                                  |
| Digit height            | 4 mm                                      |
| Measuring range         | 99 999.99 h                               |
| Reading accuracy        | AC: 1/100 h = 36 s                        |
| Operating temperature   | -10...+50 °C                              |
| Storing temperature     | -20...+70 °C                              |
| Relative humidity       | 80 % non-condensing                       |
| Protection DIN EN 60529 | IP 20                                     |
| Housing type            | Built-in housing<br>Surface mount housing |
| E-connection            | Screw terminal connector                  |
| Mounting                | Clip frame                                |
| Dimensions W x H x L    | 48 x 48 x 43 mm                           |
| Cutout dimensions       | 45 x 45 mm                                |
| Installation depth      | 33 mm                                     |
| Weight approx.          | 60 g                                      |
| Material                | Housing: plastic                          |

# Time and hours meters electromechanic

Hour counters with DIN dimensions

Display 7-digits, VAC trigger

B 148

## Part number

B 148.0 

|  |   |  |  |   |
|--|---|--|--|---|
|  | X |  |  | C |
|--|---|--|--|---|

Voltage  
5 24 VAC  
8 110 VAC  
9 220...240 VAC

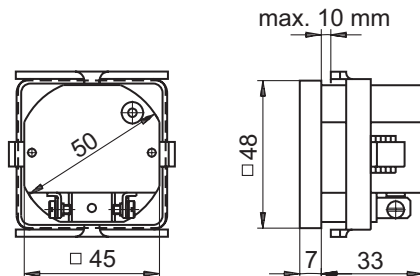
Frequency  
C 50 Hz  
D 60 Hz

### Model / front dimensions

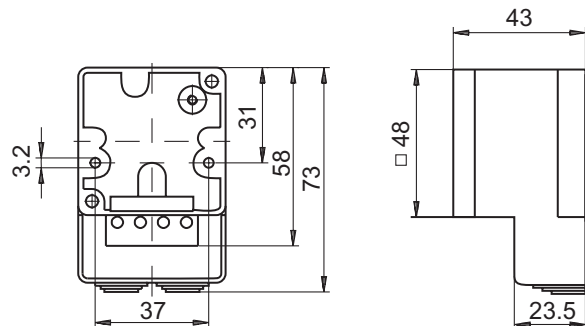
- 01 Built-in mounting 45 x 45 mm, screw terminals 48 x 48 mm
- 02 Built-in mounting  $\varnothing 50$  mm, screw terminals 55 x 55 mm
- 07 Surface mount, snap-on base for DIN rail EN 50022

## Dimensions

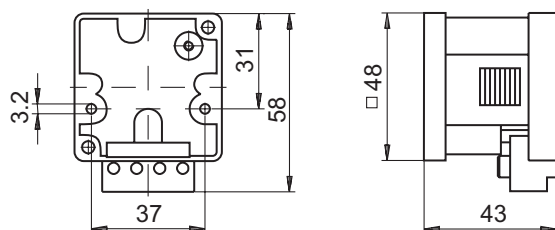
### Built-in counter



### For surface mount, snap-in base with terminal cover



### For surface mount, snap-in base w/o terminal cover



### For surface mount, snap-in base (EN 50022)

