

LM34910C

High Voltage (50V, 1.25A) Step Down Switching Regulator

General Description

The LM34910C Step Down Switching Regulator features all of the functions needed to implement a low cost, efficient, buck bias regulator capable of supplying 1.25A to the load. This buck regulator contains a 55V N-Channel Buck Switch, and is available in the thermally enhanced LLP-10 package. The hysteretic regulation scheme requires no loop compensation, results in fast load transient response, and simplifies circuit implementation. The operating frequency remains constant with line and load variations due to the inverse relationship between the input voltage and the on-time. The current limit detection is set at 1.25A. Additional features include: VCC under-voltage lockout, thermal shutdown, gate drive under-voltage lockout, and maximum duty cycle limiter.

Features

- Integrated 55V, N-Channel buck switch
- Integrated start-up regulator
- Input Voltage Range: 8V to 50V
- No loop compensation required
- Ultra-Fast transient response

- Operating frequency remains constant with load current and input voltage
- Maximum Duty Cycle Limited During Start-Up
- Adjustable output voltage
- Valley Current Limit At 1.25A
- Precision internal reference
- Low bias current
- Highly efficient operation
- Thermal shutdown

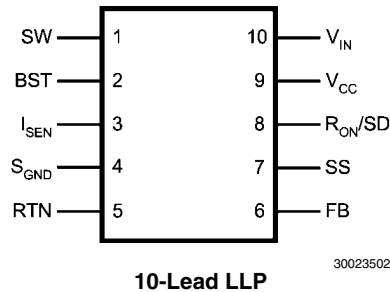
Typical Applications

- High Efficiency Point-Of-Load (POL) Regulator
- Non-Isolated Telecommunication Buck Regulator
- Secondary High Voltage Post Regulator

Package

- LLP-10 (4 mm x 4 mm)
- Exposed Thermal Pad For Improved Heat Dissipation

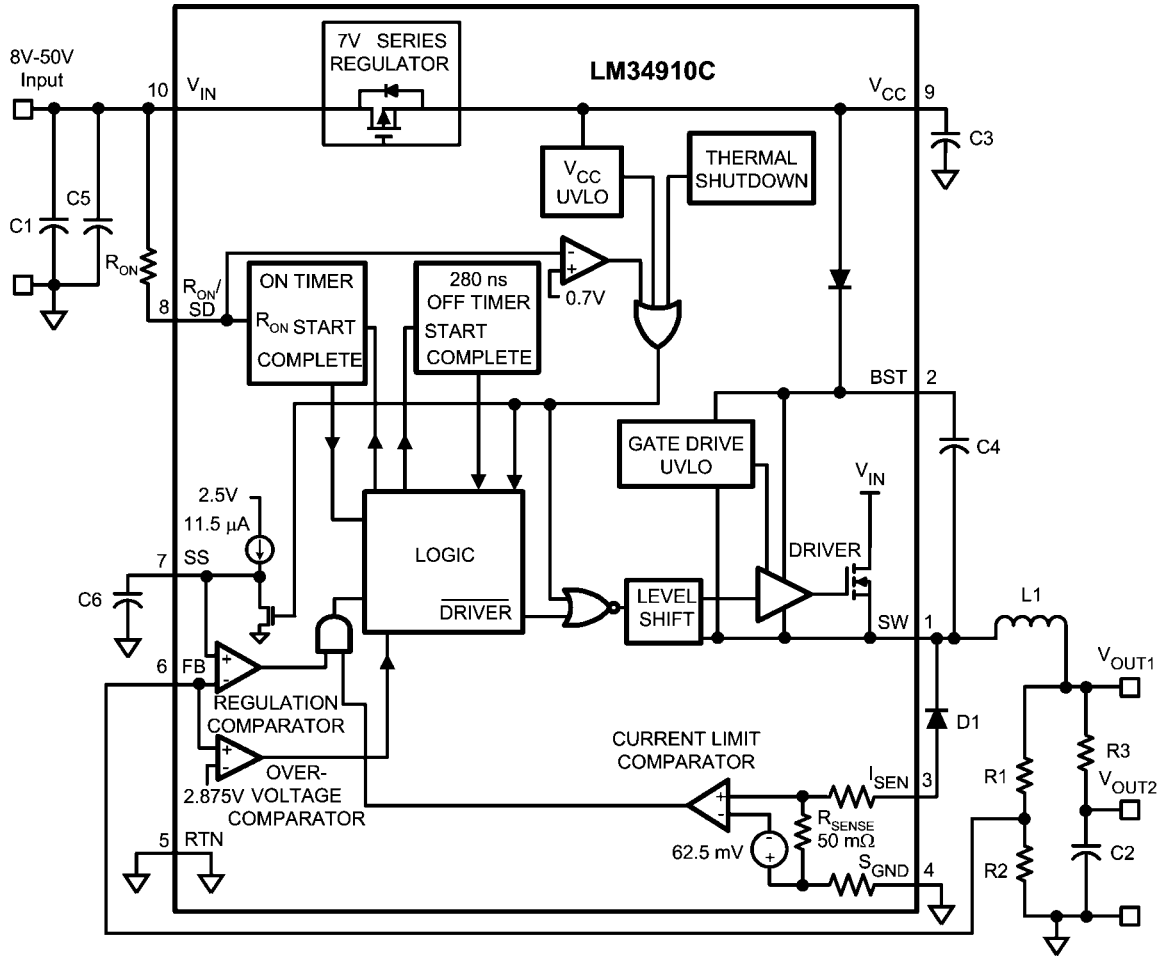
Connection Diagram



Ordering Information

Order Number	Package Type	NSC Package Drawing	Supplied As
LM34910CSD	LLP-10 (4x4)	SDC10A	1000 Units on Tape and Reel
LM34910CSDX	LLP-10 (4x4)	SDC10A	4500 Units on Tape and Reel
LM34910CSDE	LLP-10 (4x4)	SDC10A	250 Units on Tape and Reel

Typical Application Circuit and Block Diagram



30023501

FIGURE 1.

Pin Descriptions

Pin	Name	Description	Application Information
1	SW	Switching Node	Internally connected to the buck switch source. Connect to the external inductor, diode, and boost capacitor.
2	BST	Boost pin for boot-strap capacitor	Connect a 0.022 μ F capacitor from SW to this pin. An internal diode charges the capacitor during the off-time.
3	I _{SEN}	Current sense input	Internally the current sense resistor connects from this pin to S _{GND} . Re-circulating current flows out of this pin to the free-wheeling diode. Current limit is set at 1.25A.
4	S _{GND}	Sense Ground	Re-circulating current flows into this pin to the current sense resistor.
5	RTN	Circuit Ground	Ground for all internal circuitry other than the current limit detection.
6	FB	Feedback	Internally connected to the regulation and over-voltage comparators. The regulation level is 2.5V.
7	SS	Softstart	An internal 11.5 μ A current source charges an external capacitor to 2.5V to provide the softstart function.
8	R _{ON} /SD	On-time Control and Shutdown	An external resistor from V _{IN} to this pin sets the buck switch on-time. Grounding this pin shuts down the regulator.
9	V _{CC}	Output from the start-up regulator	Nominally regulated to 7.0V. An external voltage (8V-14V) can be connected to this pin to reduce internal dissipation. An internal diode connects V _{CC} to V _{IN} .
10	V _{IN}	Input supply voltage	Nominal input range is 8.0V to 50V.

Absolute Maximum Ratings (Note 1)

If Military/Aerospace specified devices are required, please contact the National Semiconductor Sales Office/Distributors for availability and specifications.

V_{IN} to GND	55V
BST to GND	70V
SW to GND (Steady State)	-1.5V
ESD Rating (Note 2)	
Human Body Model	2kV
BST to V_{CC}	55V
V_{IN} to SW	55V
BST to SW	14V

V_{CC} to GND	14V
S_{GND} to RTN	-0.3V to +0.3V
Current out of I_{SEN}	See Text
SS to RTN	-0.3V to 4V
All Other Inputs to GND	-0.3 to 7V
Storage Temperature Range	-55°C to +150°C
Junction Temperature	150°C

Operating Ratings (Note 1)

V_{IN}	8.0V to 50V
Junction Temperature	-40°C to + 125°C

Electrical Characteristics Specifications with standard typeface are for $T_J = 25^\circ\text{C}$, and those with **boldface** type apply over full **Operating Junction Temperature range**. $V_{IN} = 24\text{V}$, $R_{ON} = 200\text{k}$ unless otherwise stated (Note 5).

Symbol	Parameter	Conditions	Min	Typ	Max	Units
Start-Up Regulator, V_{CC}						
V_{CCReg}	V_{CC} regulated output		6.6	7	7.4	V
	$V_{IN}-V_{CC}$ dropout voltage	$I_{CC} = 0\text{ mA}$, $V_{CC} = V_{CCReg} - 100\text{ mV}$		1.4		V
	V_{CC} output impedance	$0\text{ mA} \leq I_{CC} \leq 5\text{ mA}$		140		Ω
	V_{CC} current limit (Note 3)	$V_{CC} = 0\text{V}$		9		mA
$UVLO_{VCC}$	V_{CC} under-voltage lockout threshold	V_{CC} increasing		5.8		V
	$UVLO_{VCC}$ hysteresis	V_{CC} decreasing		150		mV
	$UVLO_{VCC}$ filter delay	100 mV overdrive		3		μs
	I_{IN} operating current	Non-switching, $FB = 3\text{V}$		0.63	1	mA
	I_{IN} shutdown current	$R_{ON}/SD = 0\text{V}$		80	250	μA
Switch Characteristics						
Rds(on)	Buck Switch Rds(on)	$I_{TEST} = 200\text{ mA}$		0.45	0.95	Ω
$UVLO_{GD}$	Gate Drive UVLO	$V_{BST} - V_{SW}$ Increasing	3.0	4.3	5.5	V
	$UVLO_{GD}$ hysteresis			440		mV
Softstart Pin						
	Pull-up voltage			2.5		V
	Internal current source			11.5		μA
Current Limit						
I_{LIM}	Threshold	Current out of I_{SEN}	1	1.25	1.5	A
	Resistance from I_{SEN} to S_{GND}			130		$\text{m}\Omega$
	Response time			150		ns
On Timer						
t_{ON-1}	On-time	$V_{IN} = 10\text{V}$, $R_{ON} = 200\text{ k}\Omega$	2.1	2.75	3.6	μs
t_{ON-2}	On-time	$V_{IN} = 50\text{V}$, $R_{ON} = 200\text{ k}\Omega$		560		ns
	Shutdown threshold	Voltage at R_{ON}/SD rising	0.35	0.65	1.1	V
	Threshold hysteresis	Voltage at R_{ON}/SD falling		40		mV
Off Timer						
t_{OFF}	Minimum Off-time			280		ns
Regulation and Over-Voltage Comparators (FB Pin)						
V_{REF}	FB regulation threshold	SS pin = steady state	2.440	2.5	2.550	V
	FB over-voltage threshold			2.875		V
	FB bias current			100		nA

Symbol	Parameter	Conditions	Min	Typ	Max	Units
Thermal Shutdown						
T_{SD}	Thermal shutdown temperature			175		°C
	Thermal shutdown hysteresis			20		°C

Note 1: Absolute Maximum Ratings are limits beyond which damage to the device may occur. Operating Ratings are conditions under which operation of the device is intended to be functional. For guaranteed specifications and test conditions, see the Electrical Characteristics.

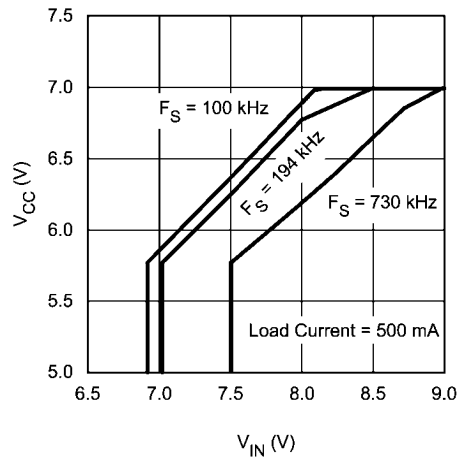
Note 2: The human body model is a 100pF capacitor discharged through a 1.5kΩ resistor into each pin.

Note 3: V_{CC} provides self bias for the internal gate drive and control circuits. Device thermal limitations limit external loading

Note 4: For detailed information on soldering plastic LLP packages, refer to the Packaging Data Book available from National Semiconductor Corporation.

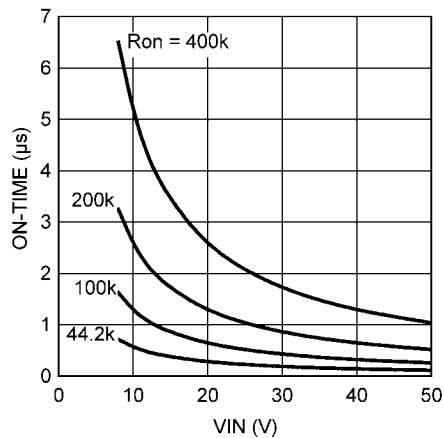
Note 5: Typical specifications represent the most likely parametric norm at 25°C operation.

Typical Performance Characteristics



30023504

FIGURE 2. V_{CC} vs V_{IN}



30023520

FIGURE 3. ON-Time vs V_{IN} and R_{ON}

Functional Description

The LM34910C Step Down Switching Regulator features all the functions needed to implement a low cost, efficient buck bias power converter capable of supplying 1.25A to the load. This high voltage regulator contains a 55V N-Channel buck switch, is easy to implement, and is available in the thermally enhanced LLP-10 package. The regulator's operation is based on a hysteretic control scheme, and uses an on-time control which varies inversely with V_{IN} . This feature allows the operating frequency to remain relatively constant with load and input voltage variations. The hysteretic control requires no loop compensation resulting in very fast load transient response. The valley current limit detection circuit, internally set at 1.25A, holds the buck switch off until the high current level subsides. The functional block diagram is shown in *Figure 1*. The LM34910C can be applied in numerous applications to efficiently regulate down higher voltages. Additional features include: Thermal shutdown, V_{CC} under-voltage lockout, gate drive under-voltage lockout, and maximum duty cycle limiter.

Hysteretic Control Circuit Overview

The LM34910C buck DC-DC regulator employs a control scheme based on a comparator and a one-shot on-timer, with the output voltage feedback (FB) compared to an internal reference (2.5V). If the FB voltage is below the reference the buck switch is turned on for a time period determined by the input voltage and a programming resistor (R_{ON}). Following the on-time the switch remains off for a minimum of 280 ns, and until the FB voltage falls below the reference. The buck switch then turns on for another on-time period. Typically, during start-up, or when the load current increases suddenly, the off-times are at the minimum of 280 ns. Once regulation is established, the off-times are longer.

When in regulation, the LM34910C operates in continuous conduction mode at heavy load currents and discontinuous conduction mode at light load currents. In continuous conduction mode current always flows through the inductor, never reaching zero during the off-time. In this mode the operating frequency remains relatively constant with load and line variations. The minimum load current for continuous conduction mode is one-half the inductor's ripple current amplitude. The operating frequency is approximately:

$$F_s = \frac{V_{OUT}}{1.3 \times 10^{-10} \times R_{ON}} \quad (1)$$

The buck switch duty cycle is equal to :

$$DC = \frac{t_{ON}}{t_{ON} + t_{OFF}} = \frac{V_{OUT}}{V_{IN}} \quad (2)$$

In discontinuous conduction mode current through the inductor ramps up from zero to a peak during the on-time, then ramps back to zero before the end of the off-time. The next on-time period starts when the voltage at FB falls below the reference - until then the inductor current remains zero, and the load current is supplied by the output capacitor (C_2). In this mode the operating frequency is lower than in continuous conduction mode, and varies with load current. Conversion efficiency is maintained at light loads since the switching losses reduce with the reduction in load and frequency. The approximate discontinuous operating frequency can be calculated as follows:

$$F_s = \frac{V_{OUT}^2 \times L_1 \times 1.18 \times 10^{20}}{R_L \times (R_{ON})^2} \quad (3)$$

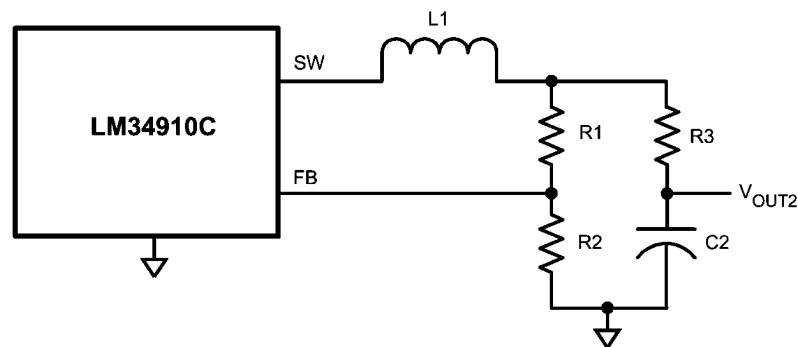
where R_L = the load resistance.

The output voltage is set by two external resistors (R_1 , R_2). The regulated output voltage is calculated as follows:

$$V_{OUT} = 2.5 \times (R_1 + R_2) / R_2$$

Output voltage regulation is based on ripple voltage at the feedback input, requiring a minimum amount of ESR for the output capacitor C_2 . The LM34910C requires a minimum of 25 mV of ripple voltage at the FB pin. In cases where the capacitor's ESR is insufficient additional series resistance may be required (R_3 in *Figure 1*).

For applications where lower output voltage ripple is required the output can be taken directly from a low ESR output capacitor as shown in *Figure 4*. However, R_3 slightly degrades the load regulation.



30023510

FIGURE 4. Low Ripple Output Configuration

Start-up Regulator, V_{CC}

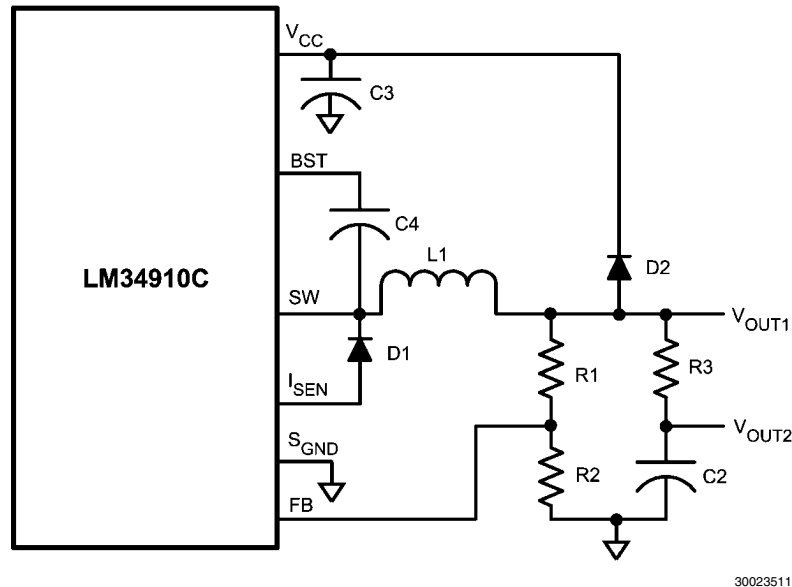
The start-up regulator is integral to the LM34910C. The input pin (V_{IN}) can be connected directly to line voltage up to 50V, with transient capability to 55V. The V_{CC} output regulates at

7.0V, and is current limited to 9 mA. Upon power up, the regulator sources current into the external capacitor at V_{CC} (C_3). When the voltage on the V_{CC} pin reaches the under-voltage lockout threshold of 5.8V, the buck switch is enabled and the

Softstart pin is released to allow the Softstart capacitor (C6) to charge up.

The minimum input voltage is determined by the regulator's dropout voltage, the V_{CC} UVLO falling threshold ($\approx 5.7V$), and the frequency. When V_{CC} falls below the falling threshold the V_{CC} UVLO activates to shut off the output. If V_{CC} is externally loaded, the minimum input voltage increases since the output impedance at V_{CC} is $\approx 140\Omega$. See *Figure 2*.

To reduce power dissipation in the start-up regulator, an auxiliary voltage can be diode connected to the V_{CC} pin. Setting the auxiliary voltage to between 8V and 14V shuts off the internal regulator, reducing internal power dissipation. The sum of the auxiliary voltage and the input voltage ($V_{CC} + V_{IN}$) cannot exceed 70V. Internally, a diode connects V_{CC} to V_{IN} . See *Figure 5*.



30023511

FIGURE 5. Self Biased Configuration

Regulation Comparator

The feedback voltage at FB is compared to the voltage at the Softstart pin (2.5V). In normal operation (the output voltage is regulated), an on-time period is initiated when the voltage at FB falls below 2.5V. The buck switch stays on for the on-time, causing the FB voltage to rise above 2.5V. After the on-time period, the buck switch stays off until the FB voltage falls below 2.5V. Bias current at the FB pin is nominally 100 nA.

Over-Voltage Comparator

The voltage at FB is compared to an internal 2.875V reference. If the voltage at FB rises above 2.875V the on-time pulse is immediately terminated. This condition can occur if the input voltage or the output load changes suddenly, or if the inductor (L1) saturates. The buck switch remains off until the voltage at FB falls below 2.5V.

ON-Time Timer, and Shutdown

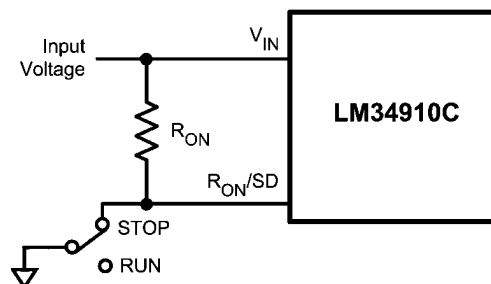
The on-time for the LM34910C is determined by the R_{ON} resistor and the input voltage (V_{IN}), and is calculated from:

$$t_{ON} = \frac{1.3 \times 10^{-10} \times R_{ON}}{V_{IN}} \quad (4)$$

See *Figure 3*. The inverse relationship with V_{IN} results in a nearly constant frequency as V_{IN} is varied. R_{ON} should be selected for a minimum on-time (at maximum V_{IN}) greater than 200 ns. This requirement limits the maximum frequency for each application, depending on V_{IN} and V_{OUT} , calculated from the following:

$$F_{MAX} = \frac{V_{OUT}}{V_{INMAX} \times 200 \text{ ns}} \quad (5)$$

The LM34910C can be remotely shut down by taking the R_{ON}/SD pin below 0.65V. See *Figure 6*. In this mode the SS pin is internally grounded, the on-timer is disabled, and bias currents are reduced. Releasing the R_{ON}/SD pin allows normal operation to resume. The voltage at the R_{ON}/SD pin is between 1.5V and 3.0V, depending on V_{IN} and the R_{ON} resistor.



30023513

FIGURE 6. Shutdown Implementation

Current Limit

Current limit detection occurs during the off-time by monitoring the recirculating current through the free-wheeling diode (D1). Referring to *Figure 1*, when the buck switch is turned off the inductor current flows through the load, into S_{GND} , through

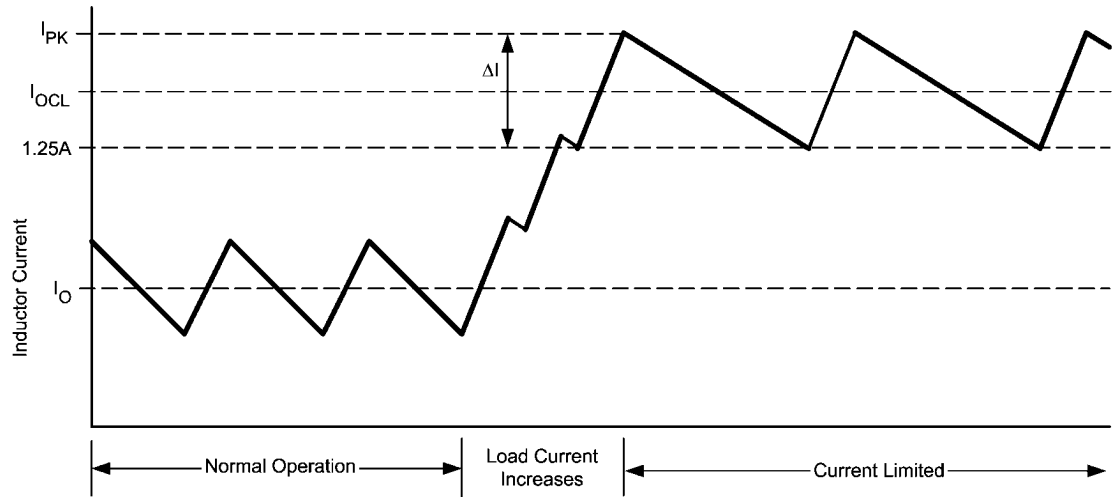
the sense resistor, out of I_{SEN} and through D1. If that current exceeds 1.25A the current limit comparator output switches to delay the start of the next on-time period if the voltage at FB is below 2.5V. The next on-time starts when the current out of I_{SEN} is below 1.25A and the voltage at FB is below 2.5V. If the overload condition persists causing the inductor current to exceed 1.25A during each on-time, that is detected at the beginning of each off-time. The operating frequency may be lower due to longer-than-normal off-times.

Figure 7 illustrates the inductor current waveform. During normal operation the load current is I_O , the average of the ripple

waveform. When the load resistance decreases the current ratchets up until the lower peak reaches 1.25A. During the Current Limited portion of Figure 7, the current ramps down to 1.25A during each off-time, initiating the next on-time (assuming the voltage at FB is <2.5V). During each on-time the current ramps up an amount equal to:

$$\Delta I = (V_{IN} - V_{OUT}) \times t_{ON} / L1$$

During this time the LM34910C is in a constant current mode, with an average load current (I_{OCL}) equal to $1.25A + \Delta I/2$.



30023514

FIGURE 7. Inductor Current - Current Limit Operation

The current limit threshold can be increased by connecting an external resistor between S_{GND} and I_{SEN} . The external resistor will typically be less than 1Ω . The peak current out of SW and I_{SEN} must not exceed 3.5A. The average current out of SW must be less than 3A, and the average current out of I_{SEN} must be less than 2A. Therefore I_{PK} in Figure 7 must not exceed 3.5A, and I_{OCL} must not exceed 2A.

N - Channel Buck Switch and Driver

The LM34910C integrates an N-Channel buck switch and associated floating high voltage gate driver. The peak current allowed through the buck switch is 3.5A, and the maximum allowed average current is 3A. The gate driver circuit works in conjunction with an external bootstrap capacitor and an internal high voltage diode. A $0.022\mu F$ capacitor (C4) connected between BST and SW provides the voltage to the driver during the on-time. During each off-time, the SW pin is at approximately -1V, and C4 charges from V_{CC} through the internal diode. The minimum off-time of 280 ns ensures a minimum time each cycle to recharge the bootstrap capacitor.

Softstart

The softstart feature allows the converter to gradually reach a steady state operating point, thereby reducing start-up stresses and current surges. Upon turn-on, after V_{CC} reaches the under-voltage threshold, an internal $11.5\mu A$ current source charges up the external capacitor at the SS pin to 2.5V. The ramping voltage at SS (and the non-inverting input of the regulation comparator) ramps up the output voltage in a controlled manner.

An internal switch grounds the SS pin if V_{CC} is below the under-voltage lockout threshold, if a thermal shutdown occurs, or if the R_{ON}/SD pin is grounded.

Thermal Shutdown

The LM34910C should be operated so the junction temperature does not exceed $125^\circ C$. If the junction temperature increases, an internal Thermal Shutdown circuit, which activates (typically) at $175^\circ C$, takes the controller to a low power reset state by disabling the buck switch and the on-timer, and grounding the Softstart pin. This feature helps prevent catastrophic failures from accidental device overheating. When the junction temperature reduces below $155^\circ C$ (typical hysteresis = $20^\circ C$), the Softstart pin is released and normal operation resumes.

Applications Information

EXTERNAL COMPONENTS

The following guidelines can be used to select the external components.

R1 and R2: The ratio of these resistors is calculated from:

$$R1/R2 = (V_{OUT}/2.5V) - 1$$

R1 and R2 should be chosen from standard value resistors in the range of $1.0\text{ k}\Omega$ - $10\text{ k}\Omega$ which satisfy the above ratio.

R_{ON} : The minimum value for R_{ON} is calculated from:

$$R_{ON} \geq \frac{200 \text{ ns} \times V_{INMAX}}{1.3 \times 10^{-10}}$$

Equation 1 can be used to select R_{ON} if a specific frequency is desired as long as the above limitation is met.

L1: The main parameter affected by the inductor is the output current ripple amplitude (I_{OR}). The limits for I_{OR} must be determined at both the minimum and maximum nominal load currents.

a) If the maximum load current is less than the current limit threshold (1.25A), the minimum load current is used to determine the maximum allowable ripple. To maintain continuous conduction mode the lower peak should not reach 0 mA. For this case, the maximum ripple current is:

$$I_{OR(MAX1)} = 2 \times I_{O(min)} \quad (6)$$

The ripple calculated in Equation 6 is then used in the following equation:

$$L1 = \frac{V_{OUT} \times (V_{IN} - V_{OUT})}{I_{OR} \times F_S \times V_{IN}} \quad (7)$$

where V_{IN} is the maximum input voltage and F_S is determined from equation 1. This provides a minimum value for L1. The next larger standard value should be used, and L1 should be rated for the I_{PK} current level.

b) If the maximum load current is greater than the current limit threshold (1.25A), the LM34910C ensures the lower peak reaches 1.25A each cycle, requiring that I_{OR} be at least twice the difference. The upper peak, however, must not exceed 3.5A. For this case, the ripple limits are:

$$I_{OR(MAX2)} = 2 \times (3.5A - I_{O(max)}) \quad (8)$$

and

$$I_{OR(MIN1)} = 2 \times (I_{O(max)} - 1.25A) \quad (9)$$

The lesser of Equations 8 and 9 is then used in Equation 7. If $I_{OR(MAX2)}$ is used, the maximum V_{IN} is used in Equation 7. The next larger value should then be used for L1. If $I_{OR(MIN1)}$ is used, the minimum V_{IN} is used in Equation 7. The next smaller value should then be used for L1. L1 must be rated for the peak value of the current waveform (I_{PK} in Figure 7).

C3: The capacitor on the V_{CC} output provides not only noise filtering and stability, but also prevents false triggering of the V_{CC} UVLO at the buck switch on/off transitions. For this reason, C3 should be no smaller than 0.1 μ F, and should be a good quality, low ESR, ceramic capacitor.

C2, and R3: Since the LM34910C requires a minimum of 25 mV_{p-p} of ripple at the FB pin for proper operation, the required ripple at V_{OUT1} is increased by R1 and R2. This necessary ripple is created by the inductor ripple current acting on C2's ESR + R3. The minimum ripple current is calculated using equation 7, rearranged to solve for I_{OR} at minimum V_{IN} . The minimum ESR for C2 is then equal to:

$$ESR_{(min)} = \frac{25 \text{ mV} \times (R1 + R2)}{R2 \times I_{OR(min)}} \quad (10)$$

If the capacitor used for C2 does not have sufficient ESR, R3 is added in series as shown in Figure 1. Generally R3 is less than 1 Ω . C2 should generally be no smaller than 3.3 μ F, although that is dependent on the frequency and the allowable ripple amplitude at V_{OUT1} . Experimentation is usually necessary to determine the minimum value for C2, as the nature of the load may require a larger value. A load which creates sig-

nificant transients requires a larger value for C2 than a non-varying load.

D1: The important parameters are reverse recovery time and forward voltage. The reverse recovery time determines how long the reverse current surge lasts each time the buck switch is turned on. The forward voltage drop is significant in the event the output is short-circuited as it is mainly this diode's voltage (plus the voltage across the current limit sense resistor) which forces the inductor current to decrease during the off-time. For this reason, a higher voltage is better, although that affects efficiency. A reverse recovery time of ≈ 30 ns, and a forward voltage drop of ≈ 0.75 V are preferred. The reverse leakage specification is important as that can significantly affect efficiency. D1's reverse voltage rating must be at least as great as the maximum V_{IN} , and its current rating must equal or exceed I_{PK} Figure 7.

C1 and C5: C1's purpose is to supply most of the switch current during the on-time, and limit the voltage ripple at V_{IN} , on the assumption that the voltage source feeding V_{IN} has an output impedance greater than zero. If the source's dynamic impedance is high (effectively a current source), it supplies the average input current, but not the ripple current.

At maximum load current, when the buck switch turns on, the current into V_{IN} suddenly increases to the lower peak of the inductor's ripple current, ramps up to the peak value, then drop to zero at turn-off. The average current during the on-time is the load current. For a worst case calculation, C1 must supply this average load current during the maximum on-time. C1 is calculated from:

$$C1 = \frac{I_O \times t_{ON}}{\Delta V}$$

where I_O is the load current, t_{ON} is the maximum on-time, and ΔV is the allowable ripple voltage at V_{IN} . C5's purpose is to help avoid transients and ringing due to long lead inductance at V_{IN} . A low ESR, 0.1 μ F ceramic chip capacitor is recommended, located close to the LM34910C.

C4: The recommended value for C4 is 0.022 μ F. A high quality ceramic capacitor with low ESR is recommended as C4 supplies a surge current to charge the buck switch gate at turn-on. A low ESR also helps ensure a complete recharge during each off-time.

C6: The capacitor at the SS pin determines the softstart time, i.e. the time for the reference voltage at the regulation comparator, and the output voltage, to reach their final value. The time is determined from the following:

$$t_{SS} = \frac{C6 \times 2.5V}{11.5 \mu A}$$

PC BOARD LAYOUT

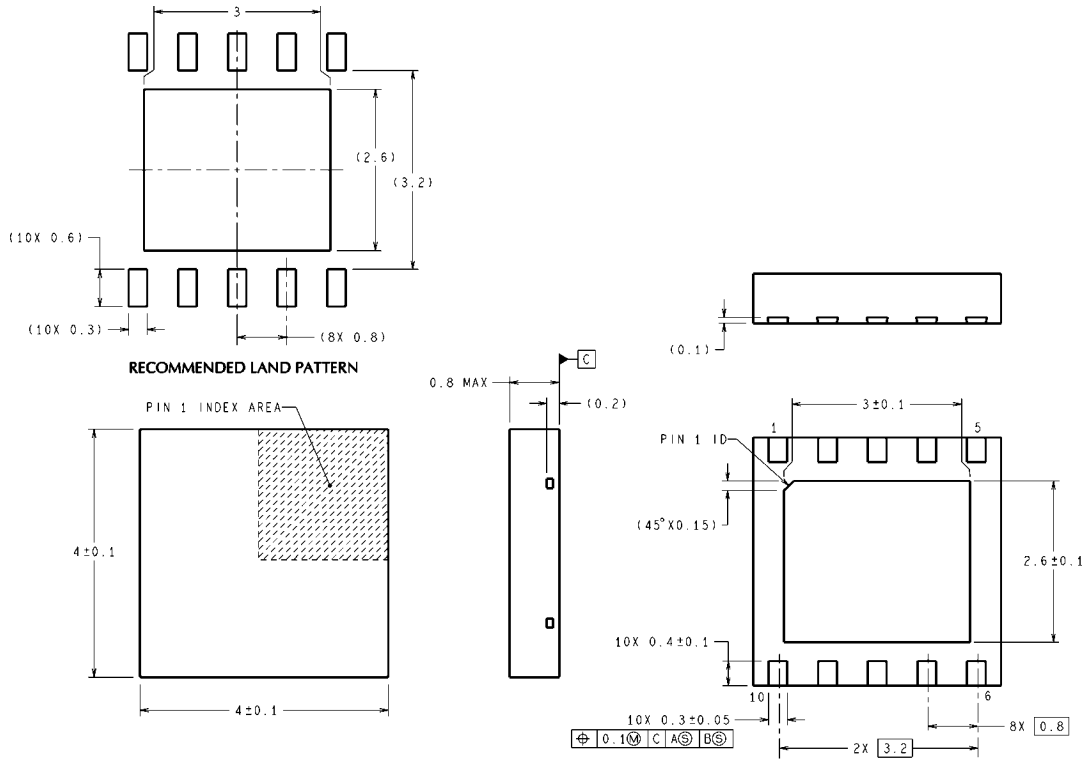
The LM34910C regulation, over-voltage, and current limit comparators are very fast, and respond to short duration noise pulses. Layout considerations are therefore critical for optimum performance. The layout must be as neat and compact as possible, and all of the components must be as close as possible to their associated pins. The current loop formed by D1, L1, C2 and the S_{GND} and I_{SEN} pins should be as small as possible. The ground connection from C2 to C1 should be as short and direct as possible.

If it is expected that the internal dissipation of the LM34910C will produce excessive junction temperatures during normal

operation, good use of the PC board's ground plane can help considerably to dissipate heat. The exposed pad on the bottom of the IC package can be soldered to a ground plane, and that plane should extend out from beneath the IC, and be connected to ground plane on the board's other side with several vias, to help dissipate the heat. The exposed pad is

internally connected to the IC substrate. Additionally the use of wide PC board traces, where possible, can help conduct heat away from the IC. Judicious positioning of the PC board within the end product, along with the use of any available air flow (forced or natural convection) can help reduce the junction temperatures.

Physical Dimensions inches (millimeters) unless otherwise noted



DIMENSIONS ARE IN MILLIMETERS

10-Lead LLP Package
NS Package Number SDC10A

SDC10A (Rev A)

Notes

THE CONTENTS OF THIS DOCUMENT ARE PROVIDED IN CONNECTION WITH NATIONAL SEMICONDUCTOR CORPORATION ("NATIONAL") PRODUCTS. NATIONAL MAKES NO REPRESENTATIONS OR WARRANTIES WITH RESPECT TO THE ACCURACY OR COMPLETENESS OF THE CONTENTS OF THIS PUBLICATION AND RESERVES THE RIGHT TO MAKE CHANGES TO SPECIFICATIONS AND PRODUCT DESCRIPTIONS AT ANY TIME WITHOUT NOTICE. NO LICENSE, WHETHER EXPRESS, IMPLIED, ARISING BY ESTOPPEL OR OTHERWISE, TO ANY INTELLECTUAL PROPERTY RIGHTS IS GRANTED BY THIS DOCUMENT.

TESTING AND OTHER QUALITY CONTROLS ARE USED TO THE EXTENT NATIONAL DEEMS NECESSARY TO SUPPORT NATIONAL'S PRODUCT WARRANTY. EXCEPT WHERE MANDATED BY GOVERNMENT REQUIREMENTS, TESTING OF ALL PARAMETERS OF EACH PRODUCT IS NOT NECESSARILY PERFORMED. NATIONAL ASSUMES NO LIABILITY FOR APPLICATIONS ASSISTANCE OR BUYER PRODUCT DESIGN. BUYERS ARE RESPONSIBLE FOR THEIR PRODUCTS AND APPLICATIONS USING NATIONAL COMPONENTS. PRIOR TO USING OR DISTRIBUTING ANY PRODUCTS THAT INCLUDE NATIONAL COMPONENTS, BUYERS SHOULD PROVIDE ADEQUATE DESIGN, TESTING AND OPERATING SAFEGUARDS.

EXCEPT AS PROVIDED IN NATIONAL'S TERMS AND CONDITIONS OF SALE FOR SUCH PRODUCTS, NATIONAL ASSUMES NO LIABILITY WHATSOEVER, AND NATIONAL DISCLAIMS ANY EXPRESS OR IMPLIED WARRANTY RELATING TO THE SALE AND/OR USE OF NATIONAL PRODUCTS INCLUDING LIABILITY OR WARRANTIES RELATING TO FITNESS FOR A PARTICULAR PURPOSE, MERCHANTABILITY, OR INFRINGEMENT OF ANY PATENT, COPYRIGHT OR OTHER INTELLECTUAL PROPERTY RIGHT.

LIFE SUPPORT POLICY

NATIONAL'S PRODUCTS ARE NOT AUTHORIZED FOR USE AS CRITICAL COMPONENTS IN LIFE SUPPORT DEVICES OR SYSTEMS WITHOUT THE EXPRESS PRIOR WRITTEN APPROVAL OF THE CHIEF EXECUTIVE OFFICER AND GENERAL COUNSEL OF NATIONAL SEMICONDUCTOR CORPORATION. As used herein:

Life support devices or systems are devices which (a) are intended for surgical implant into the body, or (b) support or sustain life and whose failure to perform when properly used in accordance with instructions for use provided in the labeling can be reasonably expected to result in a significant injury to the user. A critical component is any component in a life support device or system whose failure to perform can be reasonably expected to cause the failure of the life support device or system or to affect its safety or effectiveness.

National Semiconductor and the National Semiconductor logo are registered trademarks of National Semiconductor Corporation. All other brand or product names may be trademarks or registered trademarks of their respective holders.

Copyright© 2007 National Semiconductor Corporation

For the most current product information visit us at www.national.com



National Semiconductor Americas Customer Support Center
 Email: new.feedback@nsc.com
 Tel: 1-800-272-9959

National Semiconductor Europe Customer Support Center
 Fax: +49 (0) 180-530-85-86
 Email: europe.support@nsc.com
 Deutsch Tel: +49 (0) 69 9508 6208
 English Tel: +49 (0) 870 24 0 2171
 Français Tel: +33 (0) 1 41 91 8790

National Semiconductor Asia Pacific Customer Support Center
 Email: ap.support@nsc.com

National Semiconductor Japan Customer Support Center
 Fax: 81-3-5639-7507
 Email: jpn.feedback@nsc.com
 Tel: 81-3-5639-7560