

DD311

Version : A.002
Issue Date : 2008/12/09
File Name : SP-DD311-A.002.doc
Total Pages: 19

HIGH CONSTANT CURRENT LED DRIVER



新竹市科學園區展業一路9號7樓之1
SILICON TOUCH TECHNOLOGY INC.
9-7F-1, Prosperity Road I, Science Based Industrial Park,
Hsin-Chu, Taiwan 300, R.O.C.
Tel : 886-3-5645656 Fax : 886-3-5645626



DD311

HIGH CONSTANT CURRENT LED DRIVER

General Description

DD311 is a single-channel constant current LED driver, which incorporates current mirror and current switch, designed to drive power LEDs. It can provide a maximum sink current of 1A, adjustable by reference current input. The output current is 100 times the input current value set by an external resistor or bias voltage. Tuning or enabling the bias voltage can provide dot correction or global brightness control in LEDs system. The Maximum output voltage of 36V can provide more series power LEDs in a string. The output enable allows dimming control applications.

Features

- Maximum output current: 1A (determined by input reference current)
- Minimum output voltage: 1V ($I_{out} = 1A$)
- Maximum output voltage: 36V (output leakage current $< 0.1\mu A$)
- Maximum output enable frequency: 1MHz
- Excellent output current accuracy

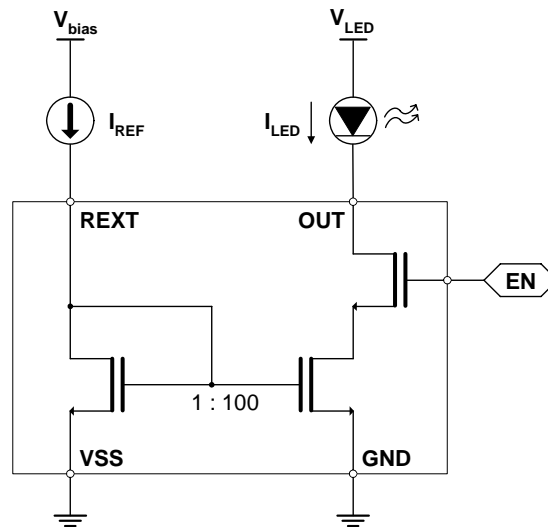
Applications

- LED architectural or entertainment lighting
- LED general or specialty illumination
- LED backlighting applications

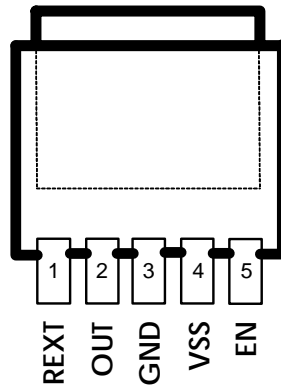
Package Types

- TO-252

Block Diagram



Pin Connection



Pin Description

PIN No.	PIN NAME	FUNCTION
1	REXT	Reference current input terminal.
2	OUT	Sink constant current outputs (open-drain).
3	GND	Ground terminal.
4	VSS	Ground terminal.
5	EN	Output current enable terminal: $V_{EN} = 0V$, output current is turned OFF . $V_{EN} > 3.3V$, output current is turned ON .



Maximum Ratings (Ta=25°C, Tj(max) = 125°C)

CHARACTERISTIC	SYMBOL	RATING	UNIT
Input Reference Current	IREF	10	mA
Output Current	Iout	1.0	A
Output Voltage	Vout	-0.3 ~ 36	V
Enable Voltage	VEN	-0.3 ~ 18	
Output Enable Frequency	FEN	1	MHz
GND Terminal Current	IGND	1.01	A
Power Dissipation	Pd	4.2 (Ta=25°C)	W
Thermal Resistance (Junction to Air)	Rth(j-a)	23.38	°C/W
Thermal Resistance (Junction to Case)	Rth(j-c)	1.77	
Operating Temperature	Top	-40 ~ 85	°C
Storage Temperature	Tstg	-55 ~ 150	

Recommended Operating Condition

CHARACTERISTIC	SYMBOL	CONDITION	MIN.	TYP.	MAX.	UNIT
Bias Voltage	Vbias	force REXT terminal directly	—	—	2.7	V
		with an external resistor	5	—	36	
Output Voltage	Vout	Driver On ^{*1}	1	—	—	V
Output Voltage	Vout	Driver Off ^{*2}	—	—	36	
Output Current	Iout	Ven > 3.3V	—	—	1	A
Input Enable Voltage	VEN(H)	IREF = 1mA ~ 10mA	3.3	—	18	V
	VEN(L)		-0.3	—	0.0	
Input Enable Frequency	FEN	Ven > 3.3V	DC	—	1	MHz

*1 Notice that the power dissipation is limited to its package and ambient temperature.

*2 The driver output voltage including any overshoot stress has to be compliant with the maximum voltage (33V).



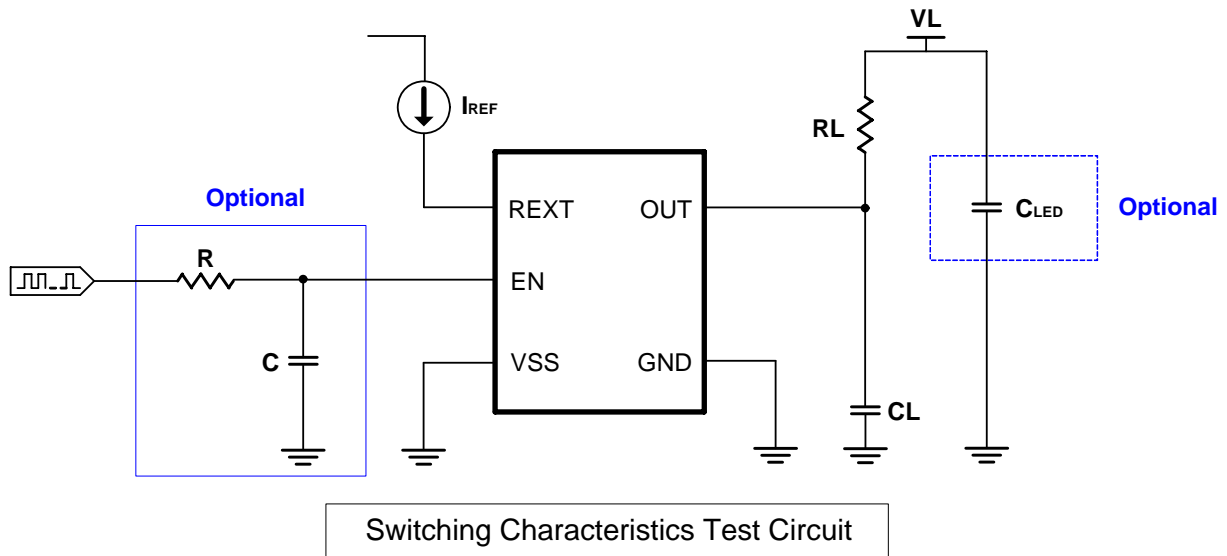
Electrical Characteristics (Ta = 25°C unless otherwise noted)

CHARACTERISTIC	SYMBOL	CONDITION	MIN.	TYP.	MAX.	UNIT
Input Enable Voltage "H" Level	V _{EN(IH)}	I _{REF} = 1mA ~ 10mA	3.3	—	18	V
Input Enable Voltage "L" Level	V _{EN(IL)}		-0.3	—	0.0	
Output Leakage Current	I _{OL1}	V _{out} = 36 V V _{en} = 0V	—	—	0.1	uA
Output Current Skew (Chip-to-Chip) *1	I _{OL2}	I _{REF} = 1mA ~ 10mA V _{out} = 1.0 V	—	± 0.5	± 10	%
Ambient Temperature Regulation	η ₁		—	0.01	—	% / °C
Ambient Temperature Regulation	η ₂		—	0.05	—	mA / °C
Output Voltage Regulation	% / V _{out}	I _{REF} = 1mA ~ 10mA V _{out} = 1V ~ 3V	—	1.5	10	% / V

Switching Characteristics (Ta = 25°C unless otherwise noted)

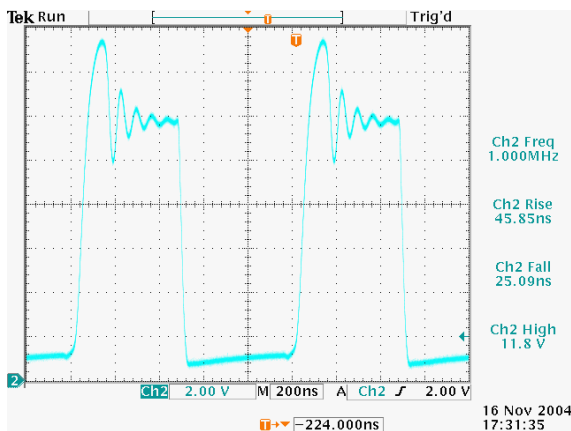
CHARACTERISTIC	SYMBOL	CONDITION	MIN.	TYP.	MAX.	UNIT	
Propagation Delay (‘L to ‘H’)	EN-to-OUT (Driver On)	I _{REF} = 10mA (I _{out} = 1A) V _{EN(IH)} = 5V V _{EN(IL)} = 0V V _L = 12V RL = 10 Ω CL = 13 pF	—	10	—	ns	
Propagation Delay (‘H’ to ‘L’)	EN-to-OUT (Driver Off)		tpHL	—	50		—
Output Current Rise Time	tor		—	—	25		—
Output Current Fall Time	tof		—	—	50		—

*1 Chip-to-Chip skew is defined as the range into which any ratio between output current and reference current of any IC falls.

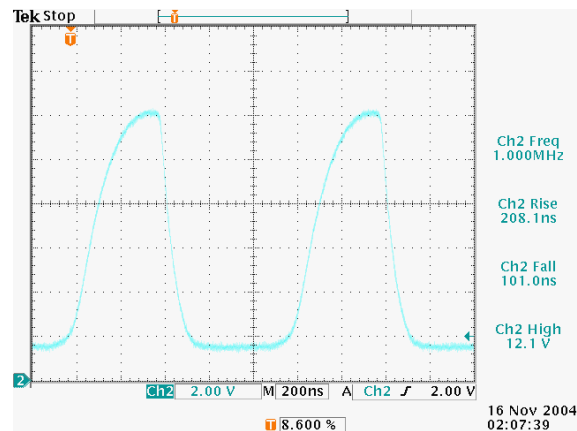


Transient Characteristics

In order to reduce the overshoot or undershoot (V_{out}) during switching large current, it is recommended adding a large enough capacitor between V_{LED} and GND to keep LED supply voltage (V_{LED}) stable. The longer rise time and fall time of the EN dimming signal, adjustable by RC filter, produce the smooth transient response of output current. The two output waveforms illustrating the EN dimming signal with and without RC filter are given below:



without RC filter



with RC filter



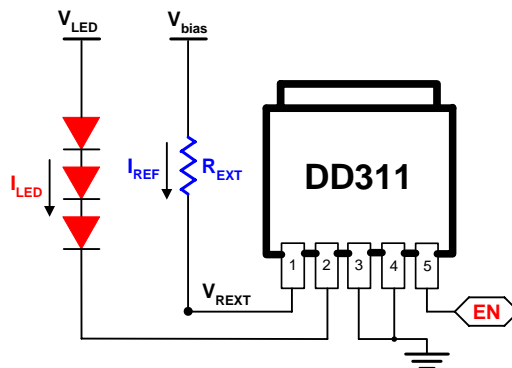
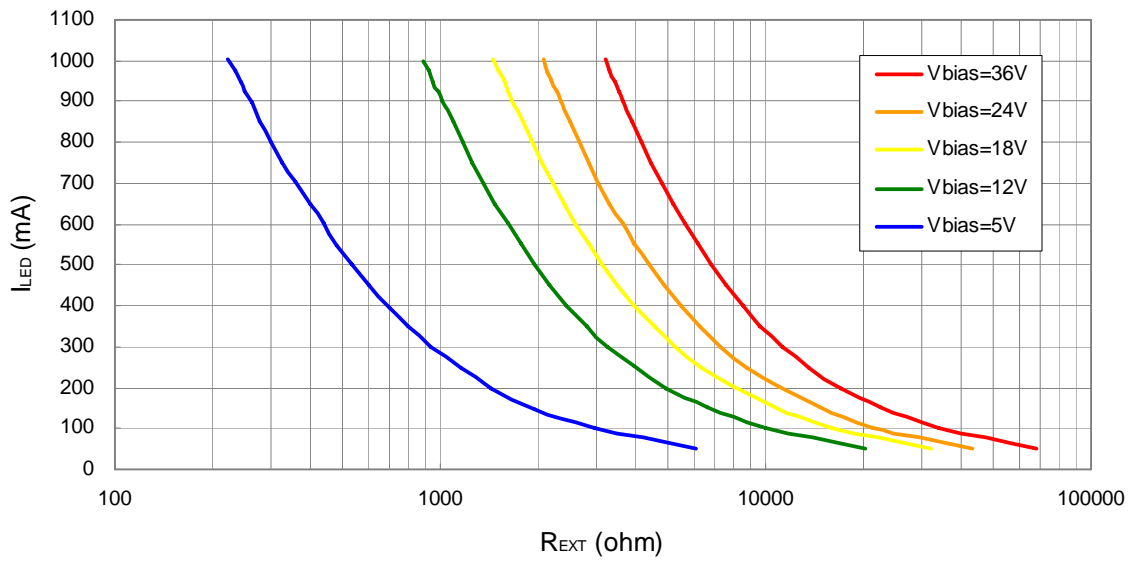
Constant-Current Output

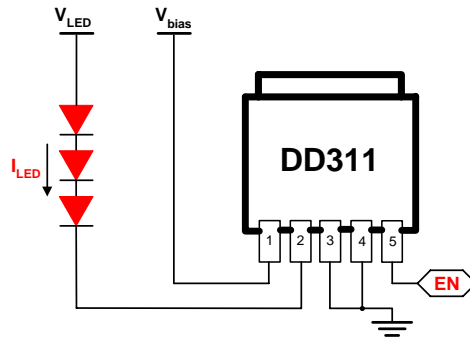
Constant-current value is set by the reference current input. The output current will be 100 times the input current value produced by an external resistor between the REXT pin and the bias voltage^{*2} or, alternatively, force the low bias voltage to REXT pin. Varying the resistor or the bias voltage value can adjust the current scale ranging up to 1A. Notice that the output current is a little increasing or decreasing until the device temperature and ambient temperature are balance. The output current value is calculated roughly by the following equation:

$$I_{LED} (A) \simeq 100 \times (V_{bias} - V_{REXT}) / R_{EXT} (ohm) = 100 \times I_{REF} (A)$$

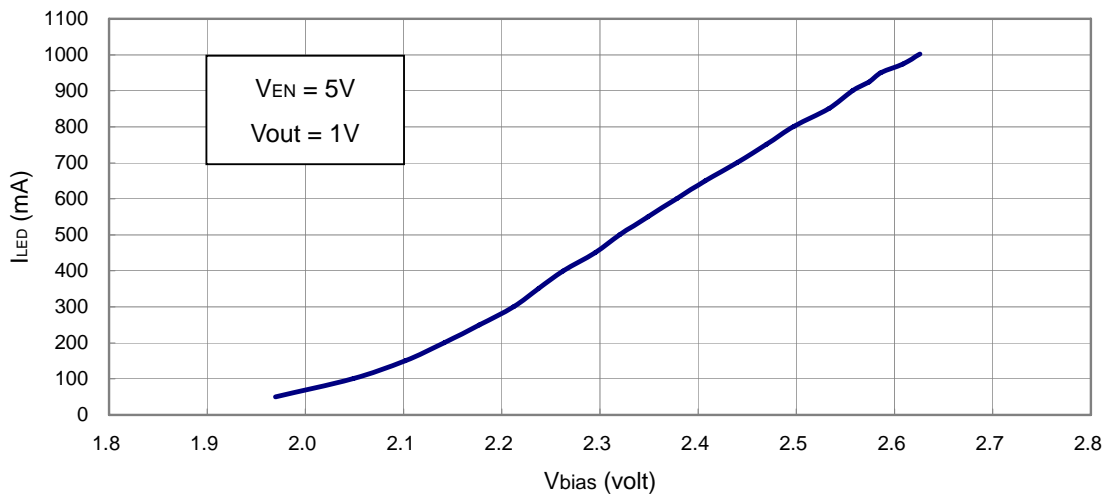
^{*2} The variation of bias voltage influences the output stability directly.

Output Current as a Function of R_{EXT} value

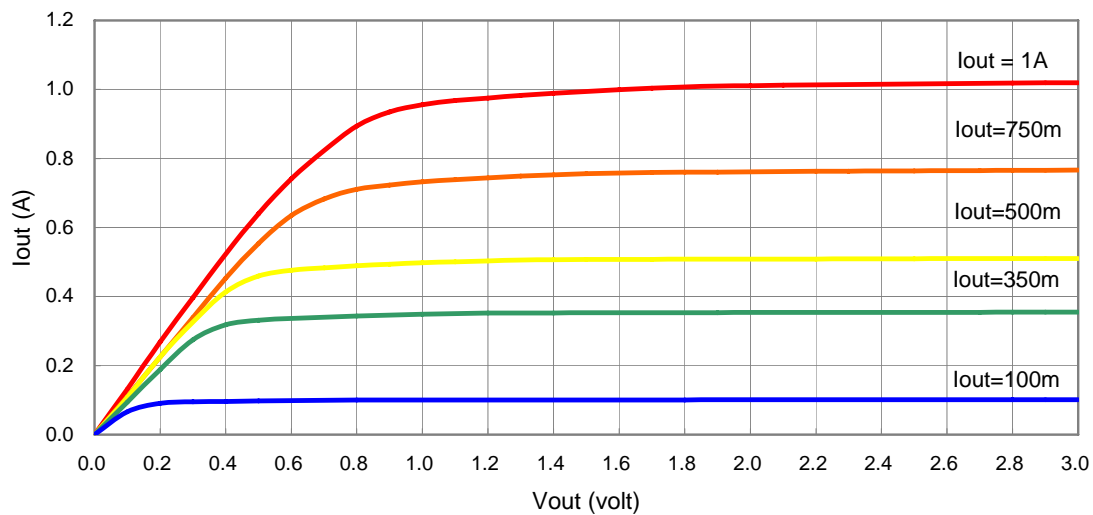




Output Current as a Function of Vbias

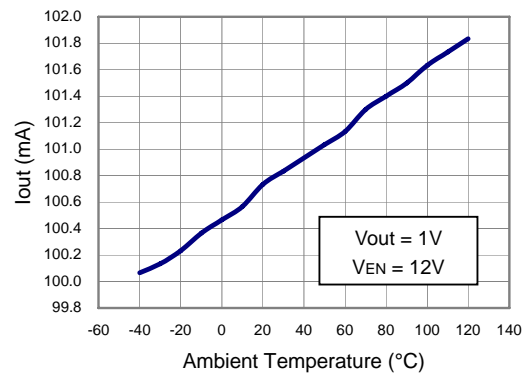
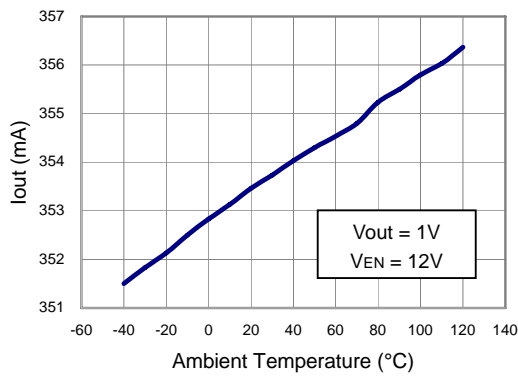
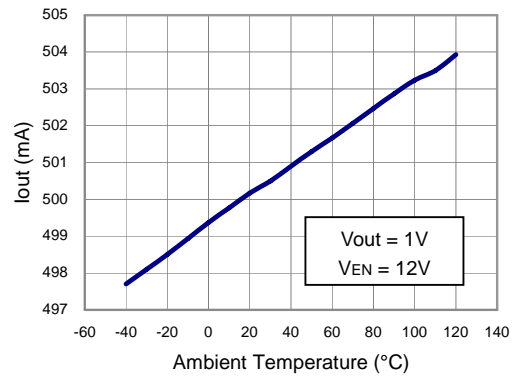
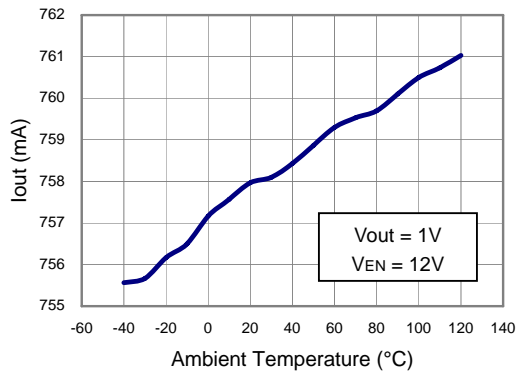
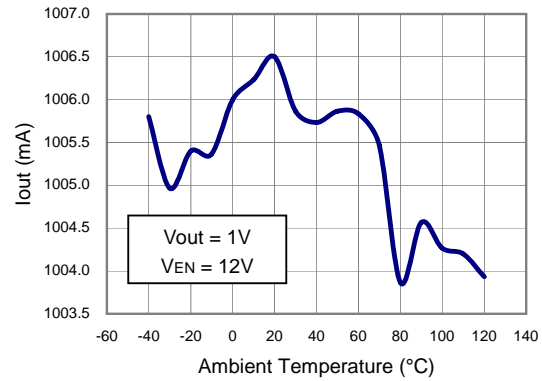
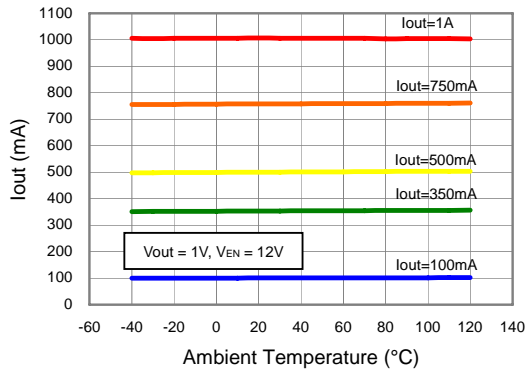


Output Current as a Function of Output Voltage



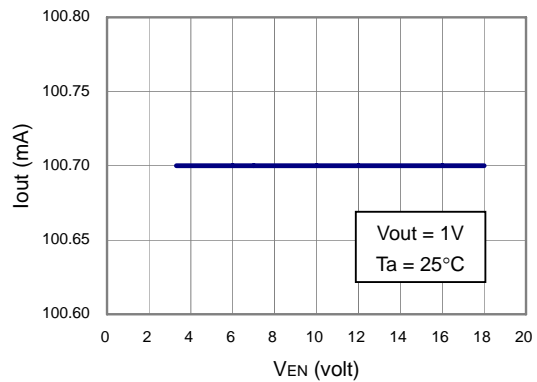
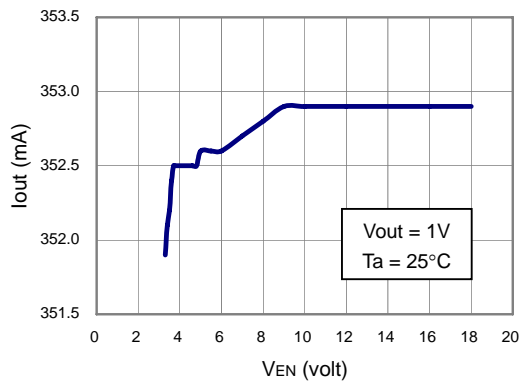
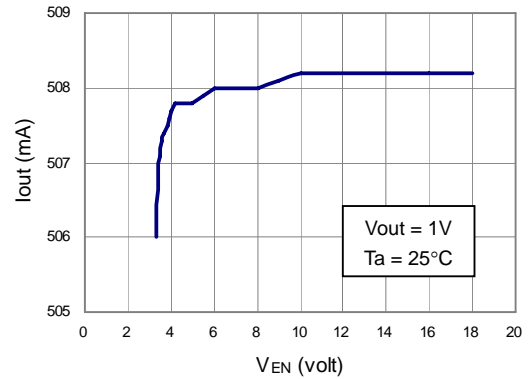
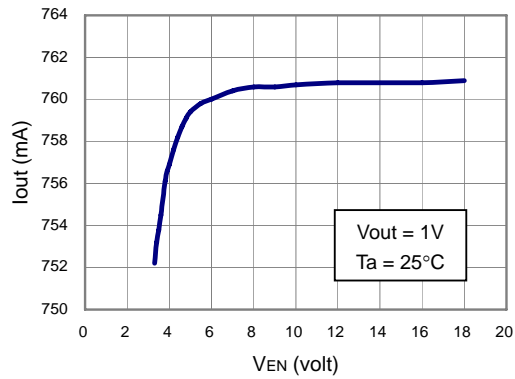
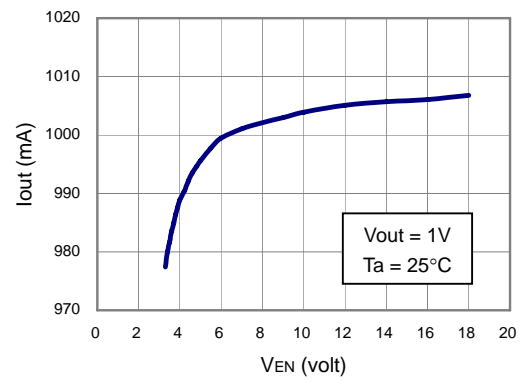
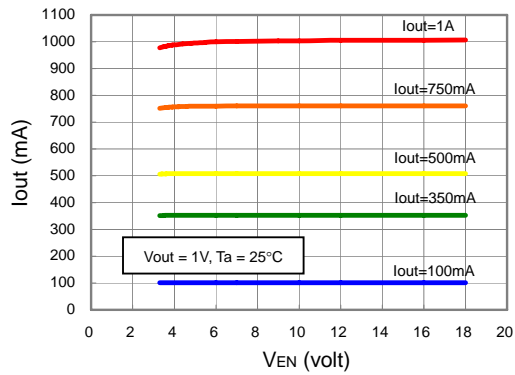


Ambient Temperature vs. Output Current





Enable Voltage vs. Output Current

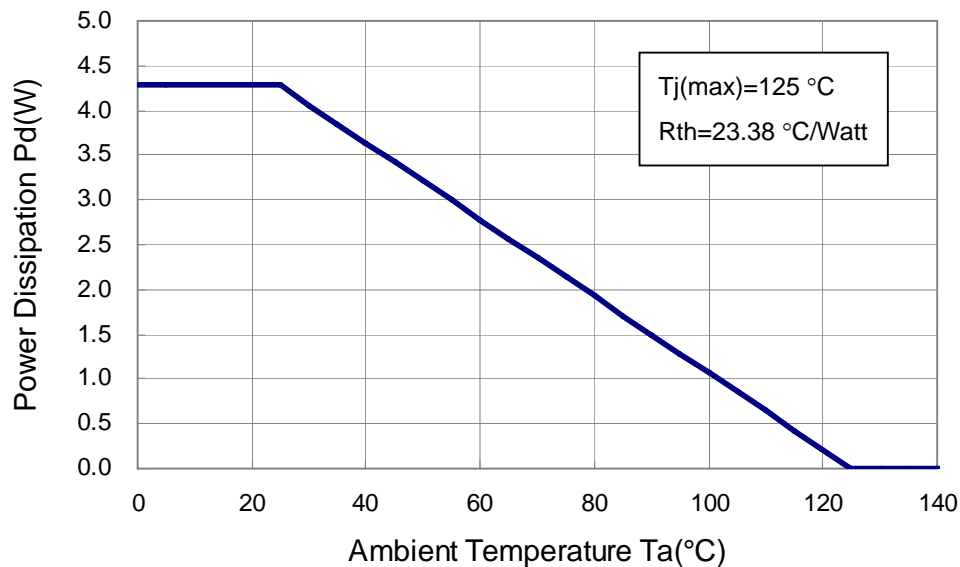


Power Dissipation

Notice that the power dissipation of a semiconductor chip is limited to its package and ambient temperature, in which the device requires the maximum output current calculated for given operating conditions. The maximum allowable power consumption can be calculated by the following equation:

$$Pd(max)(Watt) = \frac{Tj(junction\ temperature)(max)(^{\circ}C) - Ta(ambient\ temperature)(^{\circ}C)}{Rth(junction-to-air\ thermal\ resistance)(^{\circ}C/Watt)}$$

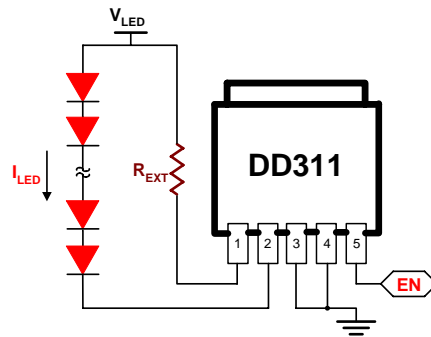
The relationship between power dissipation and operating temperature can be refer to the figure below:



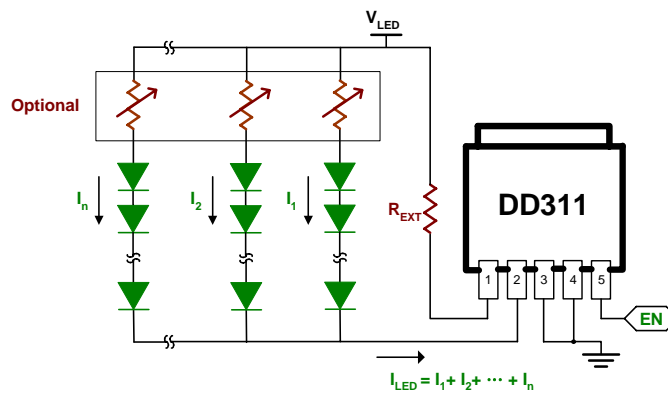
Based on the Pd(max), the maximum allowable voltage of output terminal can be calculated as follows:

$$Vout(max)(Volt) = \frac{Pd(max)(Watt) - V_{REXT}(Volt) \times I_{REF}(A)}{I_{out}(A) \times Dimming\ Duty}$$

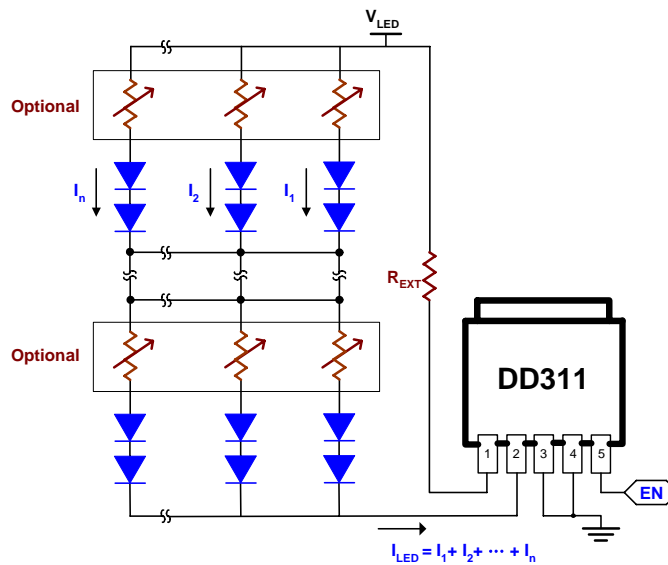
Typical Application



Series String (Suggested)

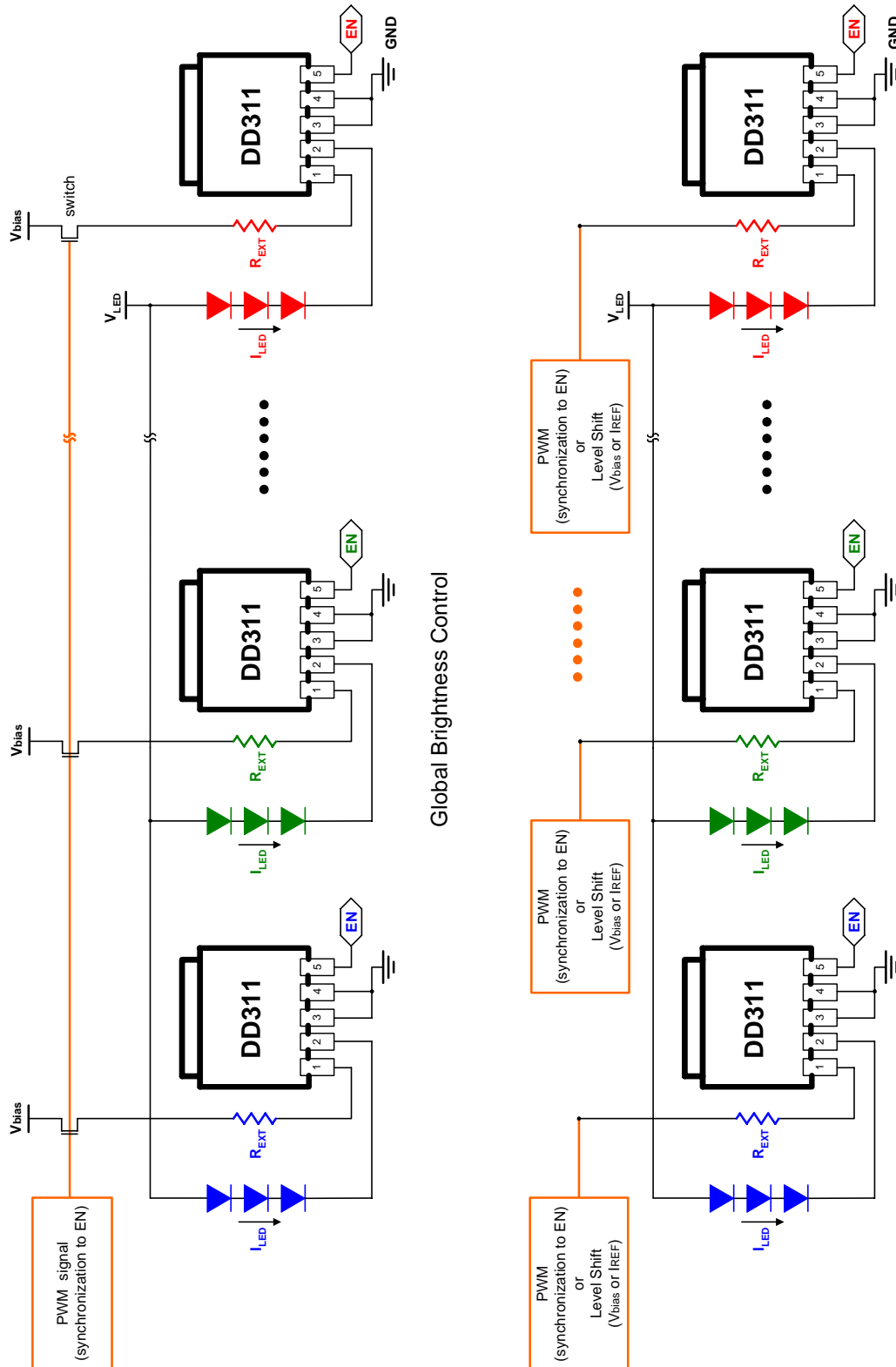


Paralleled Strings

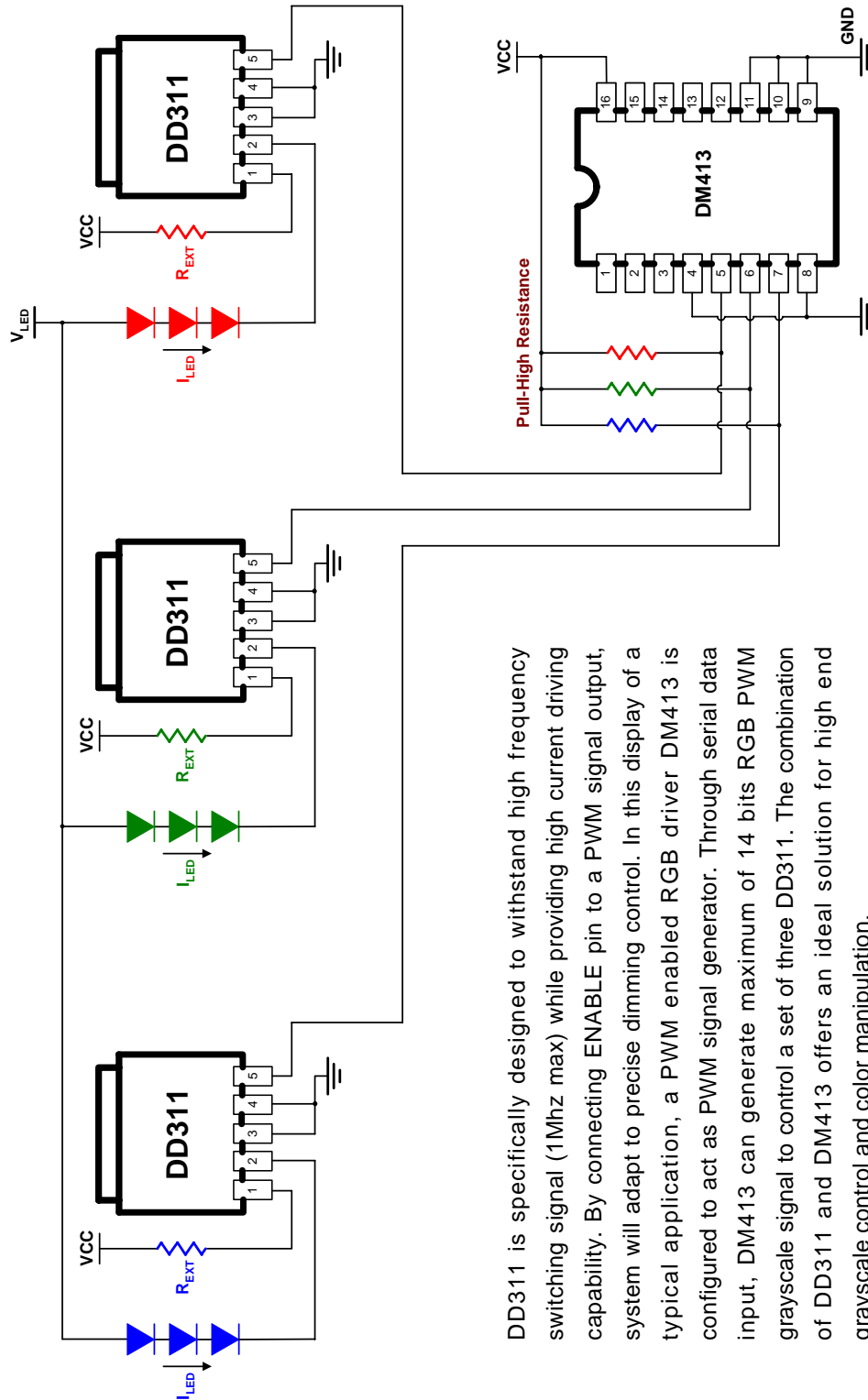


Cross Connected Paralleled Strings

Typical Application



Typical Application

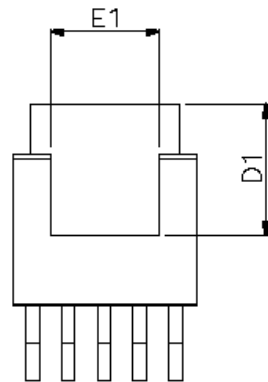
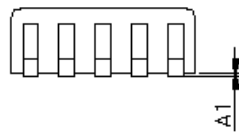
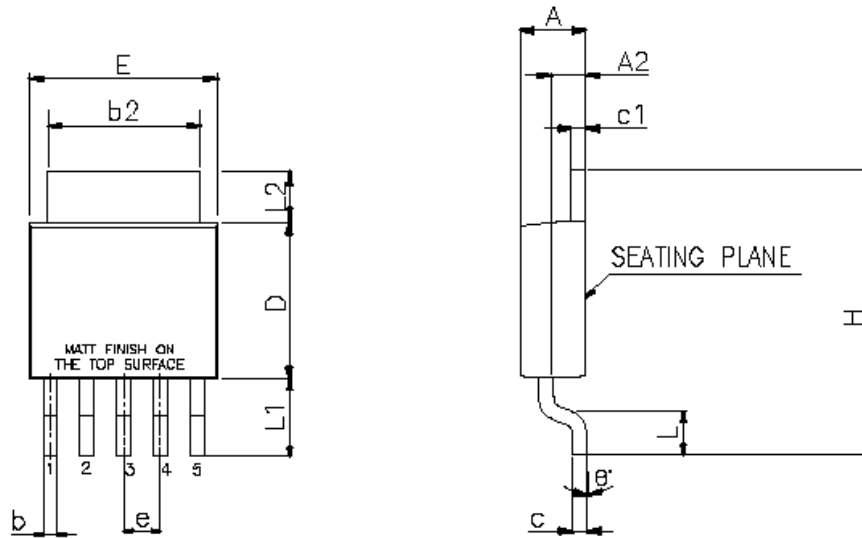


DD311 is specifically designed to withstand high frequency switching signal (1Mhz max) while providing high current driving capability. By connecting ENABLE pin to a PWM signal output, a system will adapt to precise dimming control. In this display of a typical application, a PWM enabled RGB driver DM413 is configured to act as PWM signal generator. Through serial data input, DM413 can generate maximum of 14 bits RGB PWM grayscale signal to control a set of three DD311. The combination of DD311 and DM413 offers an ideal solution for high end grayscale control and color manipulation.

Package Outline Dimension

TO-252

Unit: inch/mm



SYMBOLS	DIMENSIONS IN INCH		DIMENSIONS IN MM	
	MIN.	MAX.	MIN.	MAX.
A	0.086	0.094	2.184	2.388
A1	0.000	0.005	0.000	0.127
A2	0.040	0.050	1.016	1.270
b	0.020 TYP		0.508 TYP	
b2	0.205	0.215	5.207	5.461
c	0.018	0.023	0.457	0.584
c1	0.018	0.023	0.457	0.584
D	0.210	0.220	5.334	5.588
D1	0.180	-	4.572	-
E	0.250	0.265	6.350	6.731
E1	0.150	-	3.810	
e	0.050 BSC		1.270 BSC	
H	0.370	0.410	9.398	10.414
L	0.055	0.070	1.397	1.778
L1	0.105 REF		2.667 REF	
L2	0.06	0.08	1.524	2.032
θ	0°	4°	0°	4°

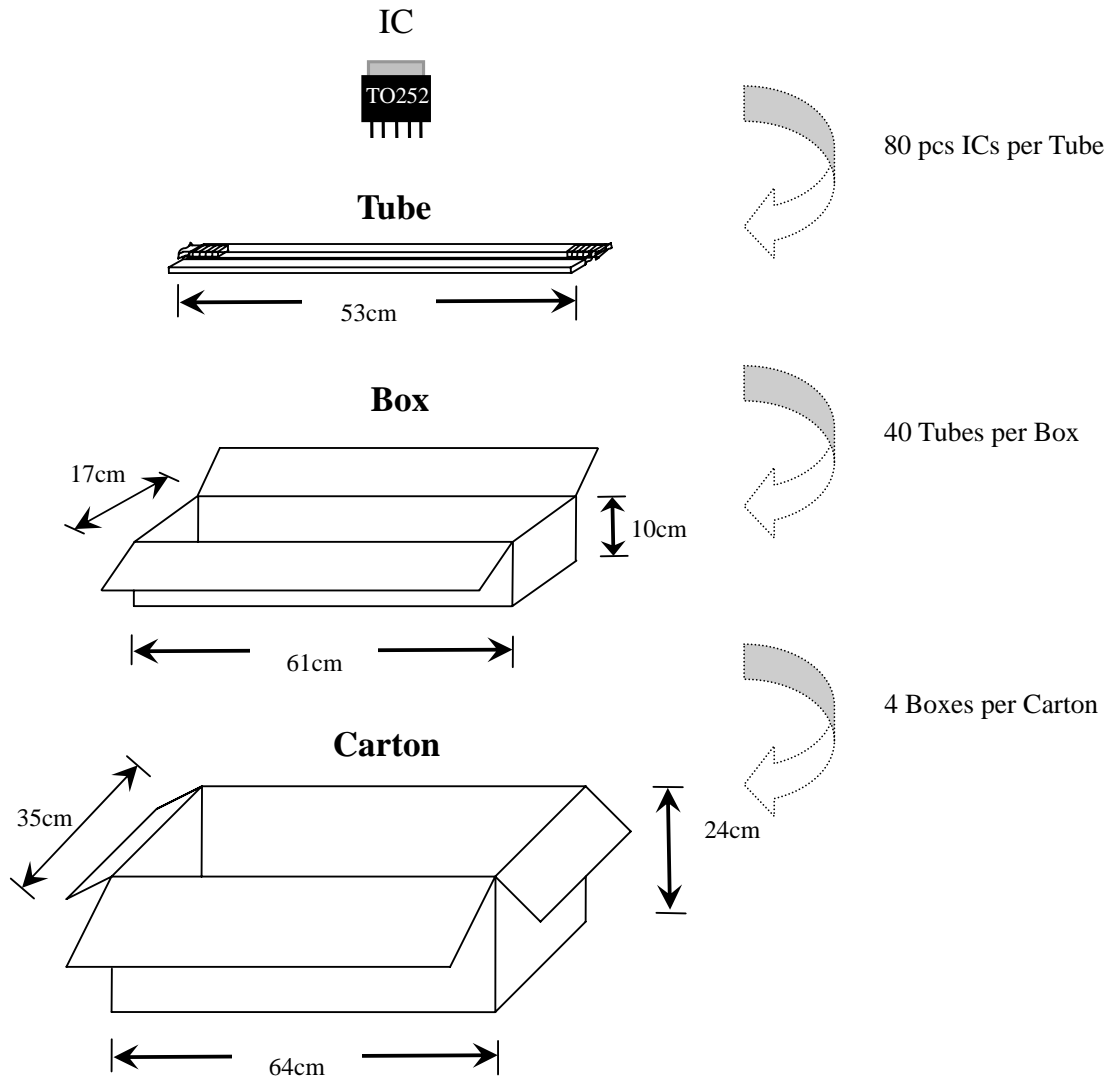


Product Ordering Information

Part Number	Package Type	Number / Weight (typ.)	
		Tube / Tray	Reel (Box included)
DD311-TO252EX	TO252-1.27 (Exposed Pad)	80pcs / Tube 0.046kg \pm 5%	—

DD311-TO252EX Package and Weight (4 Boxes Set)

TO252 - 1.27 (Exposed Pad)

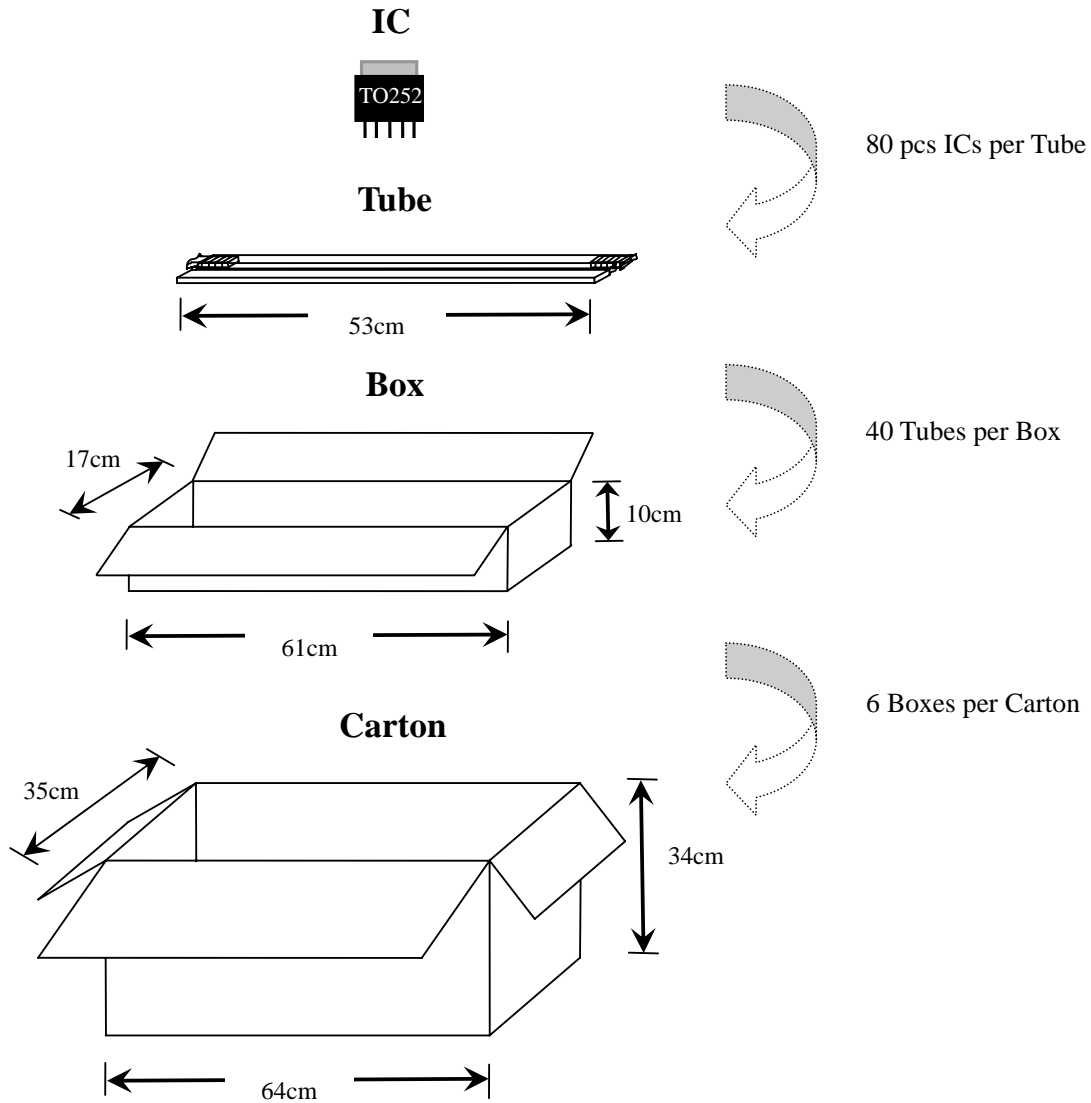


Weight

Item	Description	Weight (Kg)
1	80 pcs DD311-TO252EX per Tube	0.046±5%
2	Net Weight of one Box	0.40±5%
3	Net Weight of one Carton	1.24±5%
4	Per Carton Set (4 Boxes, 12,800 pcs)	10.20±5%

DD311-TO252EX Package and Weight (6 Boxes Set)

TO252 - 1.27 (Exposed Pad)



Weight

Item	Description	Weight (Kg)
1	80 pcs DD311-TO252EX per Tube	0.046±5%
2	Net Weight of one Box	0.40±5%
3	Net Weight of one Carton	1.44±5%
4	Per Carton Set (6 Boxes, 19,200 pcs)	14.88±5%



The products listed herein are designed for ordinary electronic applications, such as electrical appliances, audio-visual equipment, communications devices and so on. Hence, it is advisable that the devices should not be used in medical instruments, surgical implants, aerospace machinery, nuclear power control systems, disaster/crime-prevention equipment and the like. Misusing those products may directly or indirectly endanger human life, or cause injury and property loss.

Silicon Touch Technology, Inc. will not take any responsibilities regarding the misuse of the products mentioned above. Anyone who purchases any products described herein with the above-mentioned intention or with such misused applications should accept full responsibility and indemnify. Silicon Touch Technology, Inc. and its distributors and all their officers and employees shall defend jointly and severally against any and all claims and litigation and all damages, cost and expenses associated with such intention and manipulation.