



**VARISTOR SILICON RECTIFIER**

**CURRENT 0.5 Ampere**

**FEATURES**

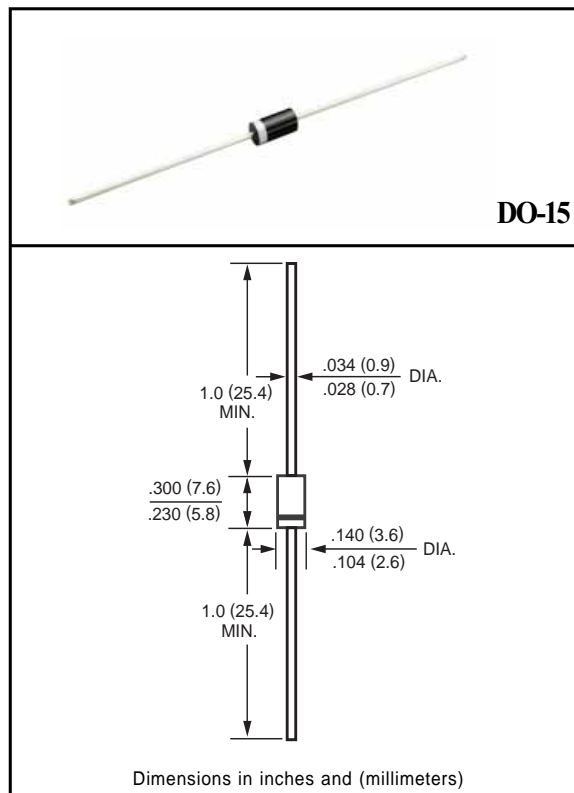
- \* Low cost
- \* Low leakage
- \* Low forward voltage drop
- \* High current capability

**MECHANICAL DATA**

- \* Case: Molded plastic
- \* Epoxy: Device has UL flammability classification 94V-O
- \* Lead: MIL-STD-202E method 208C guaranteed
- \* Mounting position: Any
- \* Weight: 0.4 gram

**MAXIMUM RATINGS AND ELECTRICAL CHARACTERISTICS**

Ratings at 25 °C ambient temperature unless otherwise specified.  
 Single phase, half wave, 60 Hz, resistive or inductive load.  
 For capacitive load, derate current by 20%.



**MAXIMUM RATINGS** (At TA = 25°C unless otherwise noted)

RATINGS	SYMBOL	VR60	UNITS
Maximum Average Forward Rectified Current at TA = 75°C	Io	0.5	Amps
Operating Temperature Range	TJ	-55 to + 150	°C
Storage Temperature Range	TSTG	-55 to + 150	°C

**ELECTRICAL CHARACTERISTICS** (At TA = 25°C unless otherwise noted)

CHARACTERISTICS	SYMBOL	VR60	UNITS
Maximum Forward Voltage Drop per element at 1.0A DC	VF	1.5	Volts
Minimum Forward Voltage Drop per element at 1.0mA DC		0.5	Volts
Maximum Leak Current at 0.2V Forward Voltage	IF	20	uAmps

# RATING AND CHARACTERISTIC CURVES ( VR60 )

FIG. 1 - MAXIMUM NON-REPETITIVE SURGE CURRENT

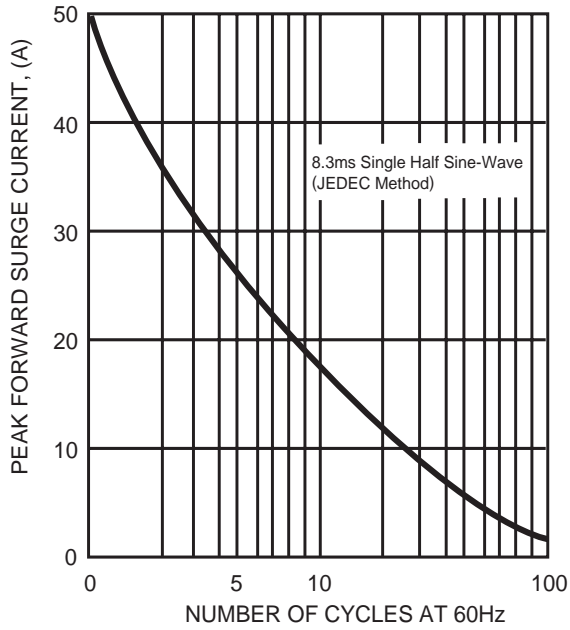


FIG. 2 - TYPICAL INSTANTANEOUS FORWARD CHARACTERISTICS

