

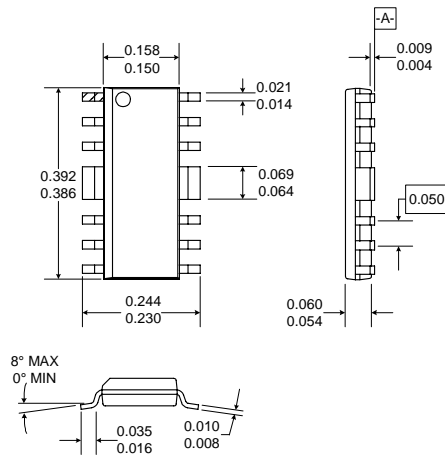
Typical Applications

- CATV Distribution Amplifiers
- Cable Modems
- Broadband Gain Blocks
- Laser Diode Driver
- Return Channel Amplifier
- Base Stations

3
LINEAR CATV AMPLIFIERS

Product Description

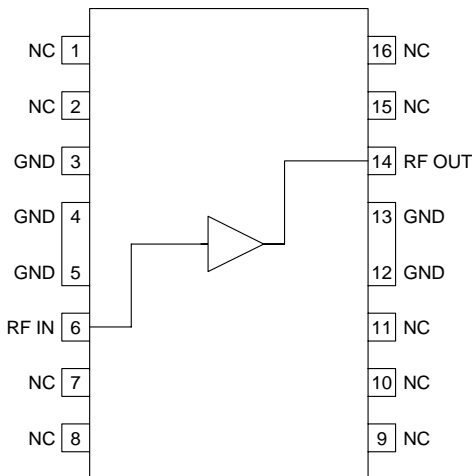
The RF2320 is a general purpose, low-cost, high-linearity RF amplifier IC. The device is manufactured on a Gallium Arsenide process and is featured in an SOP-16 batwing package. It has been designed for use as an easily cascable 75Ω gain block with a noise figure of less than 2dB. Gain flatness better than 0.5dB from 5MHz to 1000MHz, and high linearity make this part ideal for cable TV applications. Other applications include IF and RF amplification in wireless voice and data communication products operating in frequency bands up to 2500MHz. The device is self-contained with 75Ω input and output impedances providing 2:1 VSWR matching. For higher input and output return losses, see the evaluation schematic.



Optimum Technology Matching® Applied

- Si BJT GaAs HBT GaAs MESFET
 Si Bi-CMOS SiGe HBT Si CMOS

Package Style: Standard Batwing



Functional Block Diagram

- Features**
- 5MHz to 2500MHz Operation
 - Internally Matched Input and Output
 - 16dB Small Signal Gain
 - 1.6dB Noise Figure
 - +22dBm Output Power
 - Single 6V to 9V Positive Power Supply

Ordering Information

RF2320	Linear General Purpose Amplifier
RF2320 PCBA	Fully Assembled Evaluation Board

RF Micro Devices, Inc.
7625 Thorndike Road
Greensboro, NC 27409, USA

Tel (336) 664 1233
Fax (336) 664 0454
<http://www.rfmd.com>

Absolute Maximum Ratings

Parameter	Rating	Unit
Device Current	175	mA
Device Voltage	9	V
Input RF Power	+10	dBm
Output Load VSWR	20:1	
Ambient Operating Temperature	-40 to +85	°C
Storage Temperature	-40 to +150	°C



Caution! ESD sensitive device.

RF Micro Devices believes the furnished information is correct and accurate at the time of this printing. However, RF Micro Devices reserves the right to make changes to its products without notice. RF Micro Devices does not assume responsibility for the use of the described product(s).

3

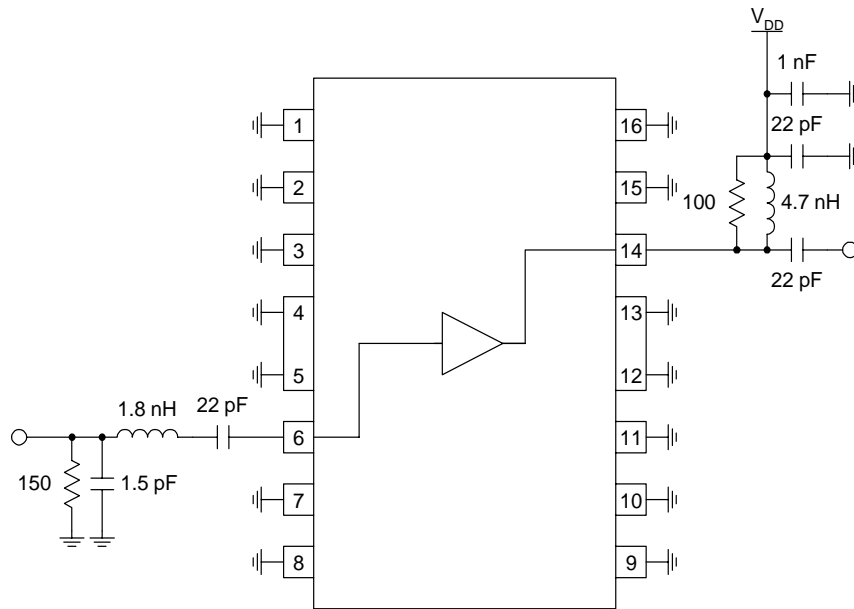
LINEAR CATV
AMPLIFIERS

Parameter	Specification			Unit	Condition
	Min.	Typ.	Max.		
Overall (50Ω)					T=25 °C, V _{DD} =7V, 50Ω System, P _{IN} =-10dBm
Frequency Range		5 to 2500		MHz	3dB Bandwidth
Input VSWR		2:1			Appropriate values for the DC blocking capacitor and bias inductor are required to maintain this VSWR at the intended operating frequency range.
Output VSWR		1.3:1			See note for Input VSWR.
Gain		15		dB	At 100MHz
		16		dB	At 2000MHz
Gain Flatness		+/-1		dB	From 5MHz to 2500MHz
Noise Figure		1.8		dB	From 5MHz to 900MHz
		2.6		dB	From 900MHz to 2500MHz,
Output IP ₃		35		dBm	At 100MHz
		36		dBm	At 1000MHz
Output IP ₂		39.6		dBm	At 1000MHz
Output P _{1dB}		21.5		dBm	At 100MHz
		22.5		dBm	At 1000MHz
		18		dBm	At 2000MHz
Reverse Isolation		20		dB	
					T=25 °C, V _{DD} =9V, 50Ω System, P _{IN} =-10dBm
Gain		16.5		dB	At 100MHz
		16.7		dB	At 1000MHz
Noise Figure		1.8		dB	From 5MHz to 900MHz,
		2.6		dB	From 900MHz to 2500MHz,
Output IP ₃		36		dBm	At 100MHz
		36.3		dBm	At 1000MHz
Output IP ₂		39.8		dBm	At 1000MHz
Output P _{1dB}		23		dBm	At 100MHz
		24.7		dBm	At 1000MHz
		19.5		dBm	At 2000MHz
Power Supply					
Supply Voltage (V _{DD})	6	7	9	V	
Operating Current Range	75	85	100	mA	

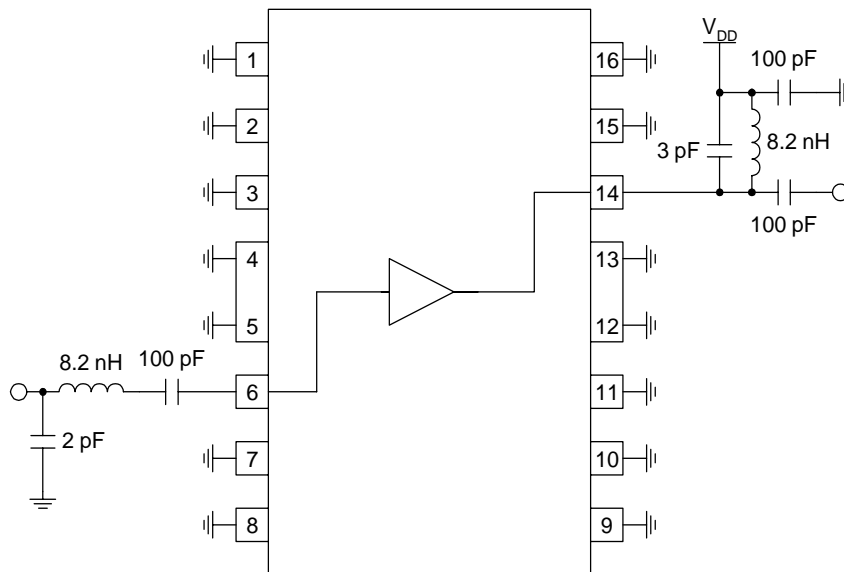
Parameter	Specification			Unit	Condition
	Min.	Typ.	Max.		
Overall (75Ω)					T=25°C, V _{DD} =7V, 75Ω System, P _{IN} =-8dBm 3dB Bandwidth Appropriate values for the output DC blocking capacitor and bias inductor are required to maintain this VSWR over the intended operating frequency range. See note for input VSWR. At 500MHz 5MHz to 1000MHz At 10MHz, Delta F1 and F2 = 1MHz At 500MHz At 1000MHz At 100MHz, Delta F1 and F2 = 156MHz At 1000MHz At 10MHz At 500MHz At 1000MHz
Frequency Range		5 to 2500		MHz	
Input VSWR		1.6:1			
Output VSWR		1.3:1			
Gain		15		dB	
Gain Flatness		+1-0.5		dB	
Output IP ₃		34.6		dBm	
		36.1		dBm	
Output IP ₂		33.1		dBm	
		49.9		dBm	
Output IP _{1dB}		48.5		dBm	
		21		dBm	
		23		dBm	
		22		dBm	
110 Channels					10dBmV per channel, flat, at the input of the amplifier; V _{CC} =7V, I _{CC} =75mA At 55.25MHz At 331.25MHz At 547.25MHz At 55.25MHz At 331.25MHz At 547.25MHz At 55.25MHz At 331.25MHz At 547.25MHz At 55.25MHz At 331.25MHz At 547.25MHz At 55.25MHz At 331.25MHz At 547.25MHz
XMOD		-71		dBc	
		-72		dBc	
CTB		-72		dBc	
		-79		dBc	
		-78		dBc	
		-78		dBc	
CSO+1.25MHz		-91		dBc	
		-58		dBc	
		-56		dBc	
CSO-1.25MHz		-51		dBc	
		-53		dBc	
		-58		dBc	
CNR		+65		dB	
		+64		dB	
		+64		dB	
Power Supply					
Supply Voltage (V _{DD})	6	7	9	V	
Operating Current Range	75	85	100	mA	

Pin	Function	Description	Interface Schematic
1	NC	No connection. This pin should be connected to the ground plane.	
2	NC	Same as pin 1.	
3	GND	Ground connection. Keep traces physically short and connect immediately to ground plane for best performance. Each ground pin should have a via to the ground plane.	
4	GND	Same as pin 3.	
5	GND	Same as pin 3.	
6	RF IN	RF input pin. This pin is not internally DC blocked. A DC blocking capacitor suitable for the frequency of operation is required if DC is present from the previous stage. The gate voltage is nominally 0V but can be raised externally to increase the bias level. This will increase the current drain but improve linearity.	
7	NC	Same as pin 1.	
8	NC	Same as pin 1.	
9	NC	Same as pin 1.	
10	NC	Same as pin 1.	
11	NC	Same as pin 1.	
12	GND	Same as pin 3.	
13	GND	Same as pin 3.	
14	RF OUT	RF output and bias pin. Because DC is present on this pin, a DC blocking capacitor, suitable for the frequency of operation, should be used in most applications. For biasing, only an RF choke is needed.	
15	NC	Same as pin 1.	
16	NC	Same as pin 1.	

Application Schematic 1930-1990MHz Narrowband Operation

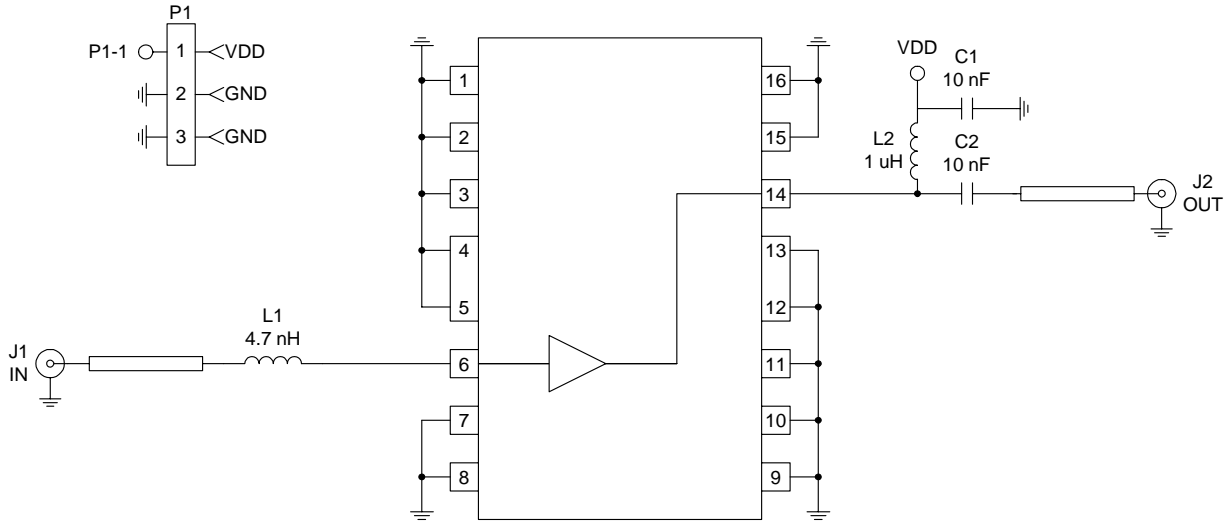


Application Schematic 869-894MHz Narrowband Operation



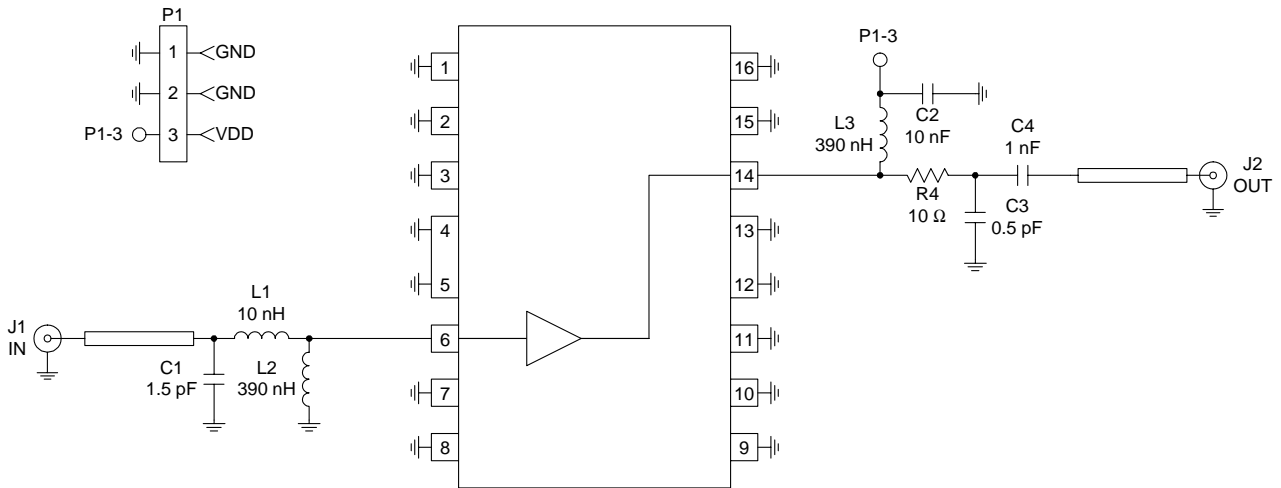
Evaluation Board Schematic - 50Ω

(Download [Bill of Materials](http://www.rfmd.com) from www.rfmd.com.)



Drawing 2320400 Rev 1

Evaluation Board Schematic - 75Ω

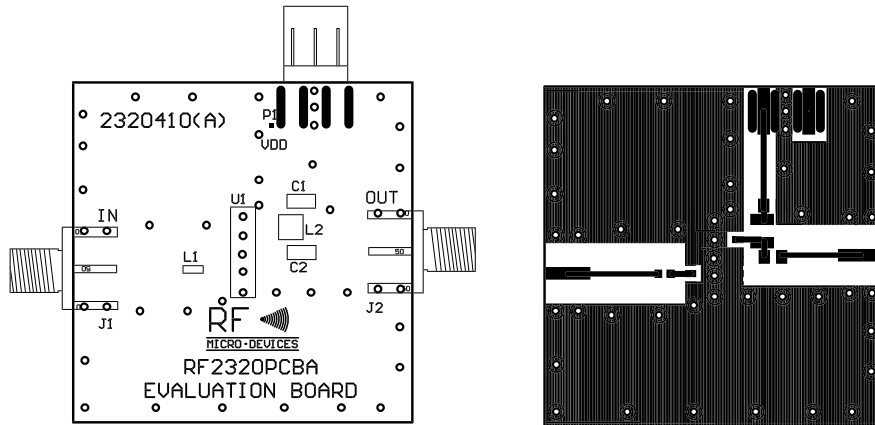


NOTES:

J1 and J2 are 75 ΩF connectors.

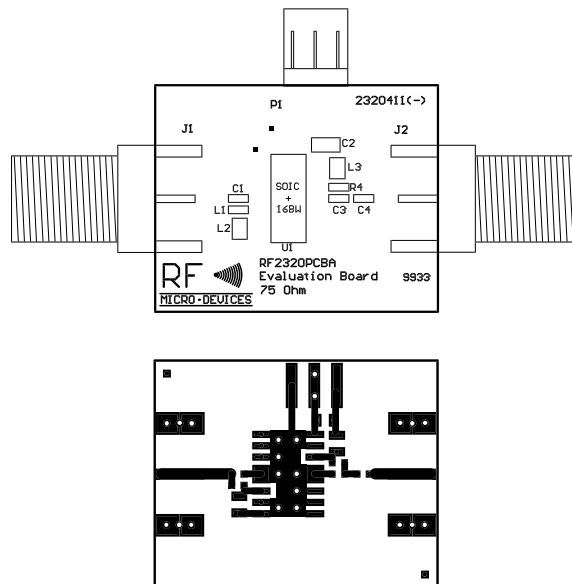
Drawing 2320401 Rev -

Evaluation Board Layout - 50Ω
Board Size 1.5" x 1.5"
Board Thickness 0.031", Board Material FR-4

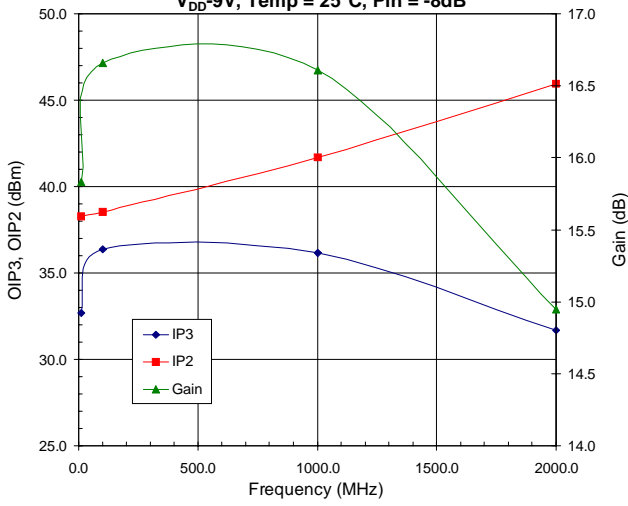


3
LINEAR CATV
AMPLIFIERS

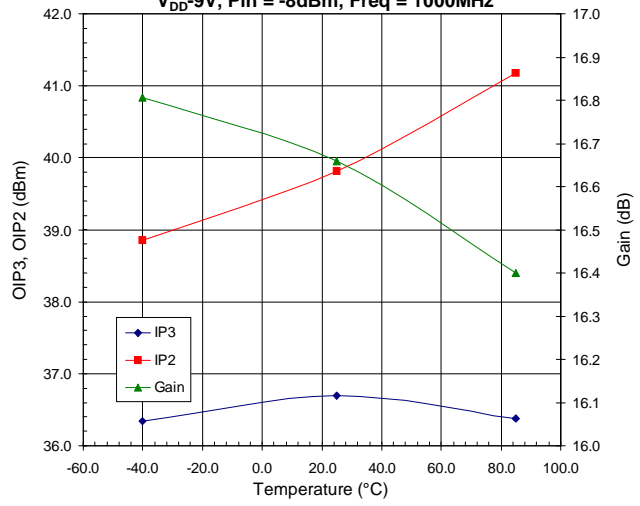
Evaluation Board Layout - 75Ω
Board Thickness 0.062", Board Material FR-4



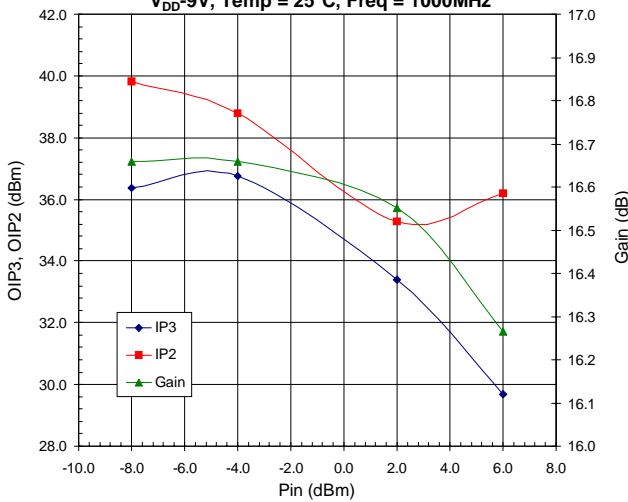
Gain, OIP3, and OIP2 versus Frequency
 $V_{DD}=9V$, Temp = 25°C, Pin = -8dB



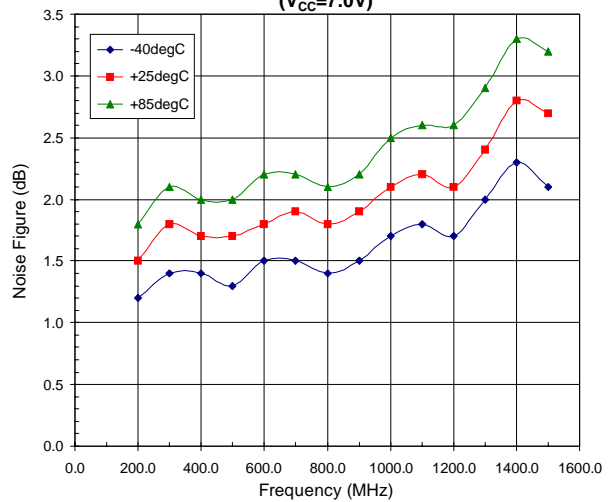
Gain, OIP3, and OIP2 versus Temperature
 $V_{DD}=9V$, Pin = -8dBm, Freq = 1000MHz



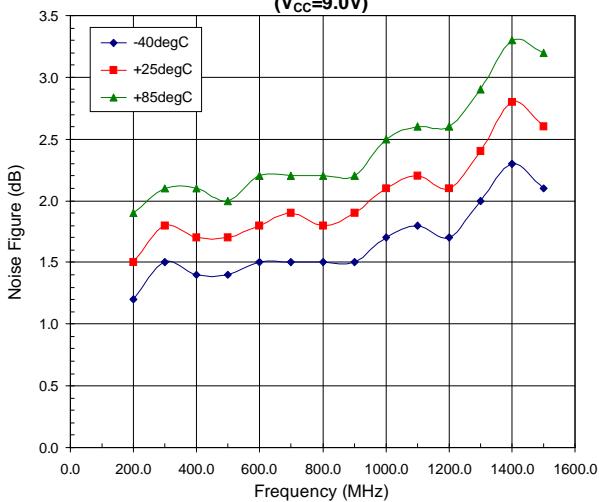
Gain, OIP3, and OIP2 versus Pin
 $V_{DD}=9V$, Temp = 25°C, Freq = 1000MHz



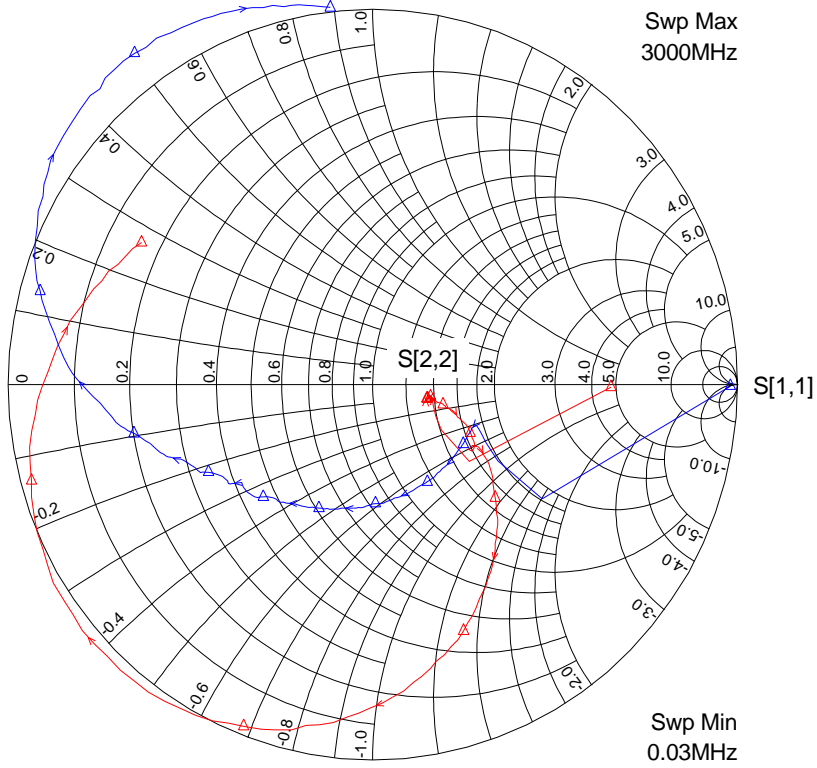
Noise Figure versus Frequency Across Temperature
 $(V_{CC}=7.0V)$



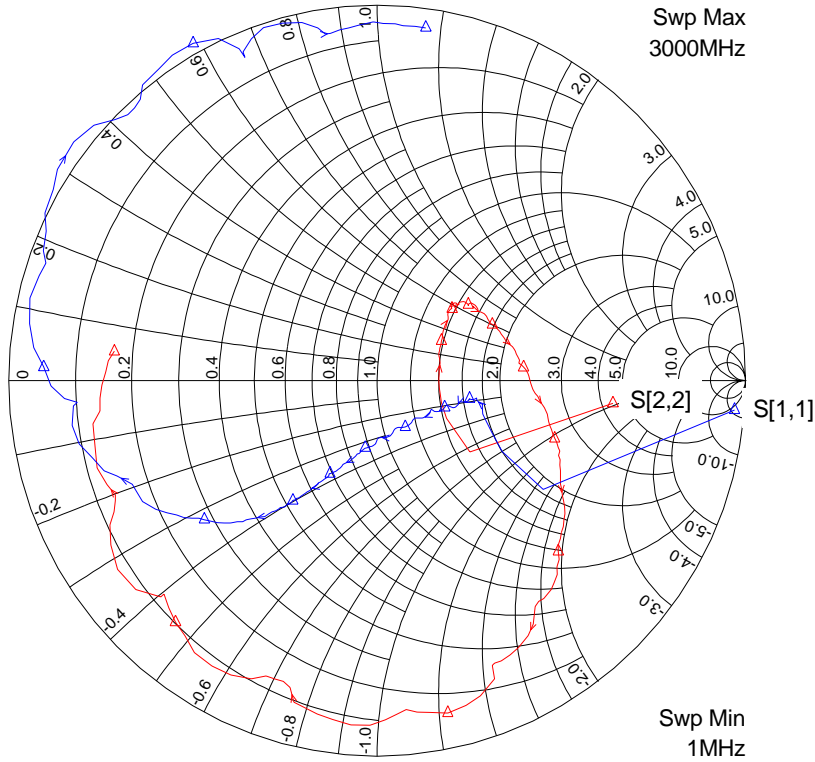
Noise Figure versus Frequency Across Temperature
 $(V_{CC}=9.0V)$



50 Ohm, 8V - Return Loss



75 Ohm, 8V - Return Loss



3
LINEAR CATV
AMPLIFIERS