

POWER MANAGEMENT

5V μ P Power Supply Monitor and Reset Circuit

- Selectable Trip-Point Tolerance and Watchdog Period
- Push-Button Reset

The IMP1232LP/LPS microprocessor supervisor can halt and restart a “hung-up” or “stalled” microprocessor, restart a microprocessor after a power failure, and debounce and interface a manual push-button microprocessor reset switch. The low-power supervisors feature 40% lower supply current than the pin compatible Dallas Semiconductor DS1232LP/LPS.

Precision temperature compensated reference and comparator circuits monitor the 5V, V_{CC} input voltage. During power-up or when the V_{CC} power supply falls outside selectable tolerance limits, both the RESET and RESET become active. When V_{CC} rises above the threshold voltage, the reset signals remain active for an additional 250ms minimum, allowing the power supply and system microprocessor to stabilize. The trip point tolerance signal, TOL, selects the trip level tolerance to be either 5- or 10-percent.

Each device has both a push-pull, active HIGH reset output and an open drain, active LOW reset output.

A debounced manual reset input activates the reset outputs for a minimum period of 250ms.

Also included is a watchdog timer to stop and restart a microprocessor that is “hung-up”. Three watchdog time-out periods are selectable:

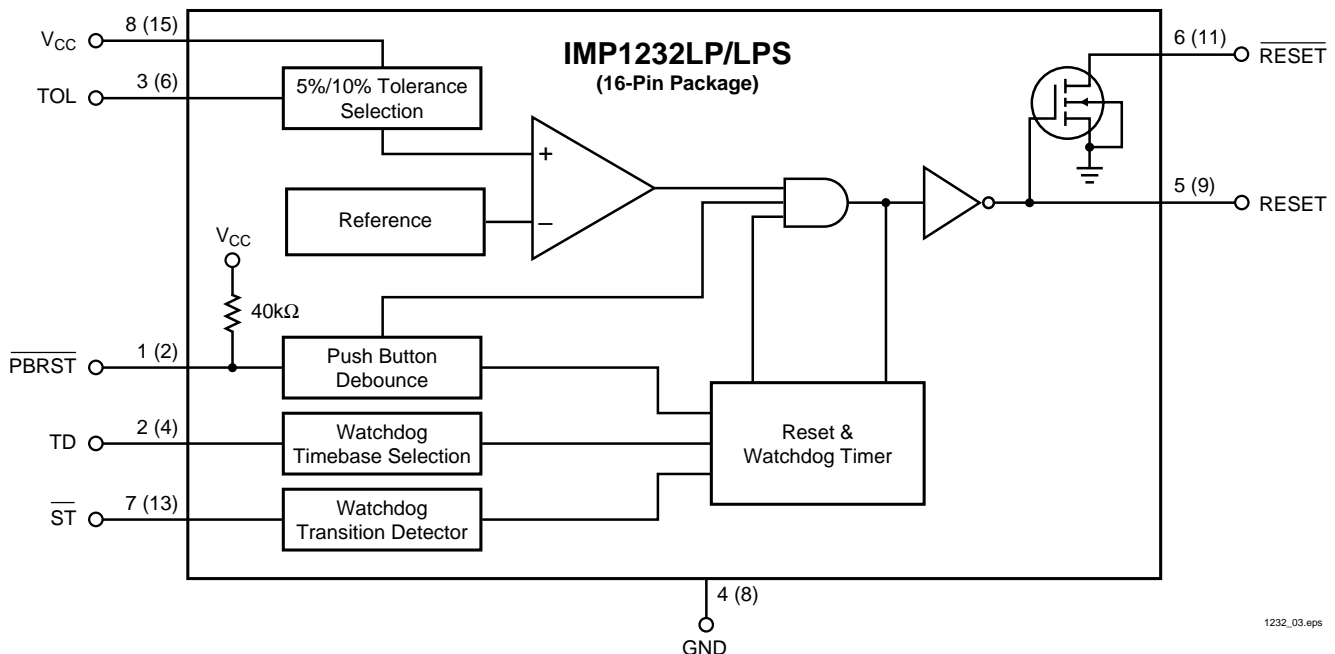
Key Features

- ◆ Pin compatible with the Dallas Semiconductor DS1232LP/1232LPS
 - 40% lower supply current
- ◆ 5V supply monitor
- ◆ Selectable watchdog period
- ◆ Debounce manual push-button reset input
- ◆ Precision temperature-compensated voltage reference and comparator
- ◆ Power-up, power-down and brownout detection
- ◆ 250ms reset time
- ◆ Active LOW open-drain reset and active HIGH push-pull output
- ◆ Selectable trip point tolerance: 5% or 10%
- ◆ Low-cost, surface mount packages: 8/16-pin SO, 8-pin DIP and 8-pin MicroSO
- ◆ Wide operating temperature -40°C to $+85^{\circ}\text{C}$ (N/EPA suffixed devices)

150ms, 610ms and 1,200ms. If the $\overline{\text{ST}}$ input is not strobed LOW before the time-out period expires, a reset is issued.

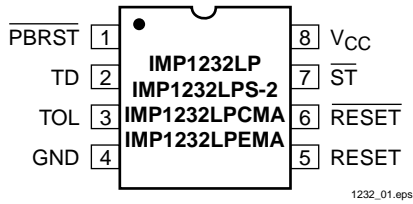
Devices are available in 8-pin DIP, 8/16-pin SO and compact 8-pin MicroSO packages.

Block Diagram

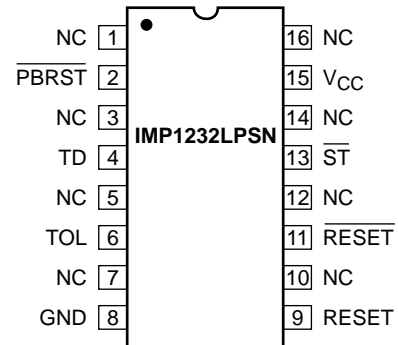


Pin Configuration

DIP/SO/MicroSO



SO



Pin Descriptions

Pin Number 8-Pin Package	Pin Number 16-Pin Package	Name	Function
1	2	$\overline{\text{PBRST}}$	Debounced manual pushbutton RESET input
2	4	TD	Watchdog time delay selection. ($t_{\text{TD}} = 150\text{ms}$ for TD = GND, $t_{\text{TD}} = 610\text{ms}$ for TD = Open, and $t_{\text{TD}} = 1200\text{ms}$ for TD = V_{CC})
3	6	TOL	Selects 5% (TOL connected to GND) or 10% (TOL connected to V_{CC}) trip point tolerance
4	8	GND	Ground
5	9	RESET	Active HIGH reset output. RESET is active: 1. If V_{CC} falls below the reset voltage trip point. 2. If $\overline{\text{PBRST}}$ is LOW. 3. If $\overline{\text{ST}}$ is not strobed LOW before the timeout period set by TD expires. 4. During power-up.
6	11	$\overline{\text{RESET}}$	Active LOW reset output. (See RESET)
7	13	$\overline{\text{ST}}$	Strobe Input
8	15	V_{CC}	5V power
—	1, 3, 5, 7, 10, 12, 14, 16	NC	No internal connection

Ordering Information

Part Number	Package	Operating Temperature Range	Maximum Supply Current (μA)	Voltage Monitoring Application
IMP1232LP	8-DIP	0°C to 70°C	30	5V
IMP1232LPS	16-SO	0°C to 70°C	30	5V
IMP1232LPS-2	8-SO	0°C to 70°C	30	5V
IMP1232LPCMA	8-MicroSO	0°C to 70°C	30	5V
IMP1232LPEMA	8-MicroSO	-40°C to 85°C	30	5V
IMP1232LPN	8-DIP	-40°C to 85°C	30	5V
IMP1232LPSN-2	8-SO	-40°C to 85°C	30	5V
IMP1232LPSN	16-SO	-40°C to 85°C	30	5V

1232_01.eps

Absolute Maximum Ratings

Voltage on V_{CC} -0.5V to 7V
 Voltage on \overline{ST} , TD -0.5V to $V_{CC} + 0.5V$
 Voltage on \overline{PBRST} , RESET, \overline{RESET} -0.5V to $V_{CC} + 0.5V$
 Operating Temperature Range -40°C to 85°C
 (N/EMA version)
 0°C to 70°C

Soldering Temperature 260°C for 10 seconds
 Storage Temperature -55°C to 125°C

Voltages measured with respect to ground.
 These are stress ratings only and functional operation is not implied.

Electrical Characteristics

Unless otherwise stated, $4.5V \leq V_{CC} \leq 5.5V$ and over the operating temperature range of 0°C to +70°C (-40°C to +85°C for N/EMA devices). All voltages are referenced to ground.

Parameter	Symbol	Conditions	Min	Typ	Max	Units
Supply Voltage (V_{CC})	V_{CC}		4.5		5.5	V
\overline{ST} and \overline{PBRST} Input High Level	V_{IH}		2		$V_{CC} + 0.3V$	V
\overline{ST} and \overline{PBRST} Input Low Level	V_{IL}		-0.3		0.8	V
V_{CC} Trip Point (TOL = GND)	V_{CCTP}		4.50	4.62	4.74	V
V_{CC} Trip Point (TOL = V_{CC})	V_{CCTP}		4.25	4.37	4.49	V
Watchdog Time-Out Period	t_{TD}	TD = GND	62.5	150	250	ms
Watchdog Time-Out Period	t_{TD}	TD = V_{CC}	500	1200	2000	ms
Watchdog Time-Out Period	t_{TD}	TD floating	250	610	1000	ms
Output Voltage	V_{OH}	$I = -500\mu A$, Note 3	$V_{CC} - 0.5V$	$V_{CC} - 0.1V$		V
Output Current	I_{OH}	Output = 2.4V, Note 2	-8	-10		mA
Output Current	I_{OL}	Output = 0.4V,	10			mA
Input Leakage	I_{IL}	Note 1	-1.0		1.0	μA
RESET Low Level	V_{OL}				0.4	V
Internal Pull-Up Resistor		Note 1		40		k Ω
Operating Current (CMOS)	I_{CC1}				30	μA
Input Capacitance	C_{IN}				5	pF
Output Capacitance	C_{OUT}				10	pF
\overline{PBRST} Manual Reset Minimum Low Time	t_{PB}	$\overline{PBRST} = V_{IL}$	20			ms
Reset Active Time	t_{RST}		250	610	1000	ms
\overline{ST} Pulse Width	t_{ST}	Note 4	20			ns
V_{CC} Fail Detect to \overline{RESET} or RESET	t_{RPD}			5	8	μs
V_{CC} Slew Rate	t_f	4.75V to 4.25V	300			μs
\overline{PBRST} Stable LOW to RESET and RESET Active	t_{PDLY}				20	ms
V_{CC} Detect to \overline{RESET} or RESET Inactive	t_{RPU}	$t_{RISE} = 5\mu s$	250	610	1000	ms
V_{CC} Slew Rate	t_R	4.25V to 4.75V	0			ns

- Notes: 1. \overline{PBRST} is internally pulled HIGH to V_{CC} through a nominal 40k Ω resistor.
 2. \overline{RESET} is an open drain output.
 3. \overline{RESET} remains within 0.5V of V_{CC} on power-down until V_{CC} falls below 2V. \overline{RESET} remains within 0.5V of ground on power-down until V_{CC} falls below 2.0V.
 4. Must not exceed the minimum watchdog time-out period (t_{TD}). The watchdog circuit cannot be disabled. To avoid a reset, \overline{ST} must be strobed.

Application Information

Supply Voltage Monitor

Reset Signal Polarity and Output Stage Structure

$\overline{\text{RESET}}$ is an active LOW signal. It is developed with an open drain driver. If a pullup resistor is required, typical values are 10k Ω to 50k Ω .

RESET is an active High signal developed by a CMOS push-pull output stage and is the logical opposite to $\overline{\text{RESET}}$.

Trip Point Tolerance Selection

With TOL connected to V_{CC} , RESET and $\overline{\text{RESET}}$ become active whenever V_{CC} falls below 4.5V. RESET and $\overline{\text{RESET}}$ become active when V_{CC} falls below 4.75V if TOL is connected to ground.

After V_{CC} has risen above the trip point set by TOL, RESET and $\overline{\text{RESET}}$ remain active for a minimum time period of 250ms.

On power-down, once V_{CC} falls below the reset threshold $\overline{\text{RESET}}$ stays LOW and is guaranteed to be 0.4V or less until V_{CC} drops below 1.2V. The active HIGH reset signal is valid down to a V_{CC} level of 1.2V also.

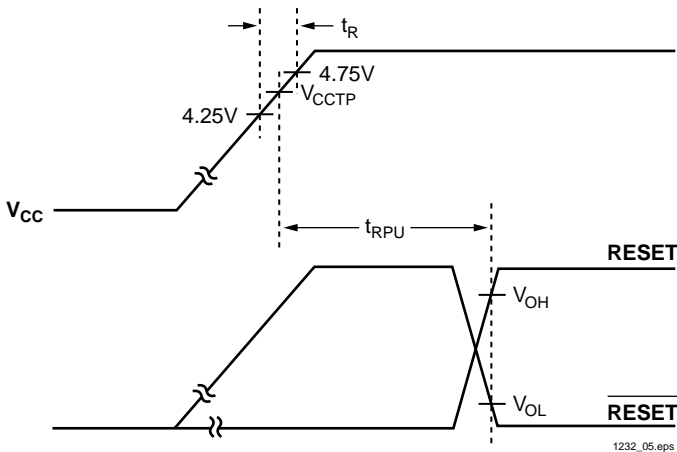


Figure 1. Timing Diagram: Power Up

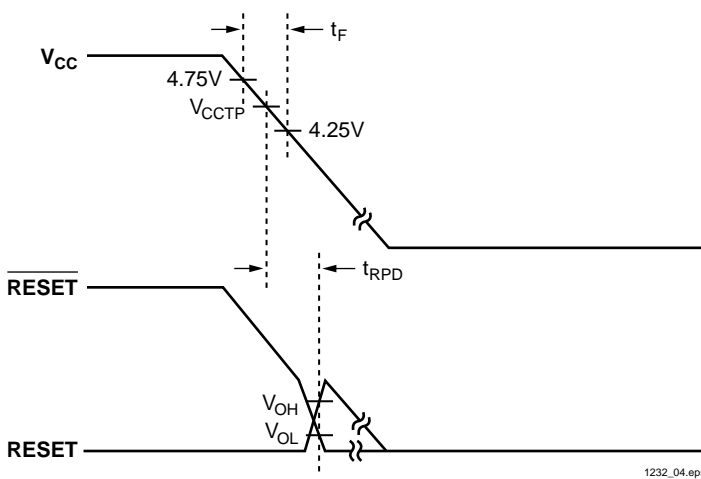


Figure 2. Timing Diagram: Power Down

Tolerance Select	Tolerance	TRIP Point Voltage (V)		
		Min	Nominal	Max
TOL = V_{CC}	10%	4.25	4.37	4.49
TOL = GND	5%	4.5	4.62	4.74

1232_102.eps

Manual Reset Operation

Push-button switch input, $\overline{\text{PBRST}}$, allows the user to override the internal trip point detection circuits and issue reset signals. The pushbutton input is debounced and is normally pulled HIGH through an internal 40k Ω resistor.

When $\overline{\text{PBRST}}$ is held LOW for the minimum time t_{PB} , both resets become active and remain active for approximately a minimum time period of 250ms after $\overline{\text{PBRST}}$ returns HIGH.

The debounced input is guaranteed to recognize pulses greater than 20ms. No external pull-up resistor is required, since $\overline{\text{PBRST}}$ is pulled HIGH by an internal 40k Ω resistor.

The $\overline{\text{PBRST}}$ can be driven from a TTL or CMOS logic line or shorted to ground with a mechanical switch.

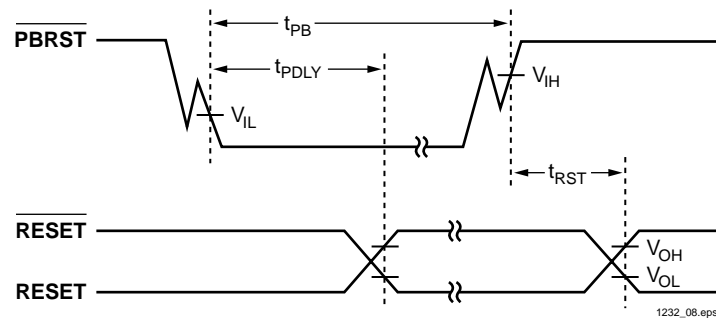


Figure 3. Timing Diagram: Pushbutton Reset

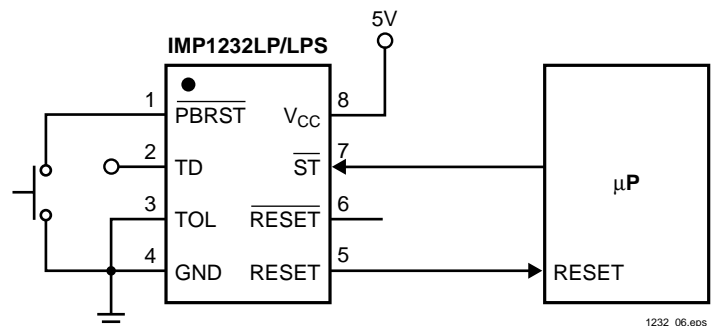


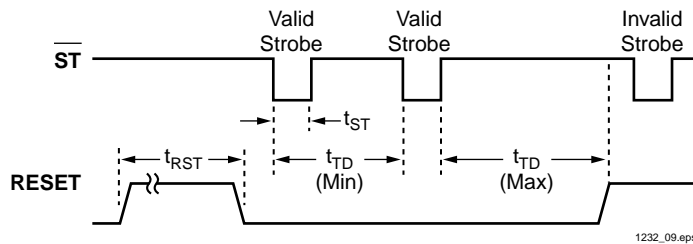
Figure 4. Application Circuit: Pushbutton Reset

Application Information

Watchdog Timer and \overline{ST} Input

A watchdog timer stops and restarts a microprocessor that is “hung-up”. Through the time delay input, TD, three watchdog time-out periods are selectable: 150ms, 610ms and 1,200ms. If the strobe input, \overline{ST} , is not strobed LOW prior to timeout, reset signals become active. On power-up or after the supply voltage returns to an in-tolerance condition, the reset signal remains active for 250ms minimum, allowing the power supply and system microprocessor to stabilize.

\overline{ST} Pulses as short as 20ns can be detected.



Note: \overline{ST} is ignored whenever a reset is active.

Figure 5. Timing Diagram: Strobe Input

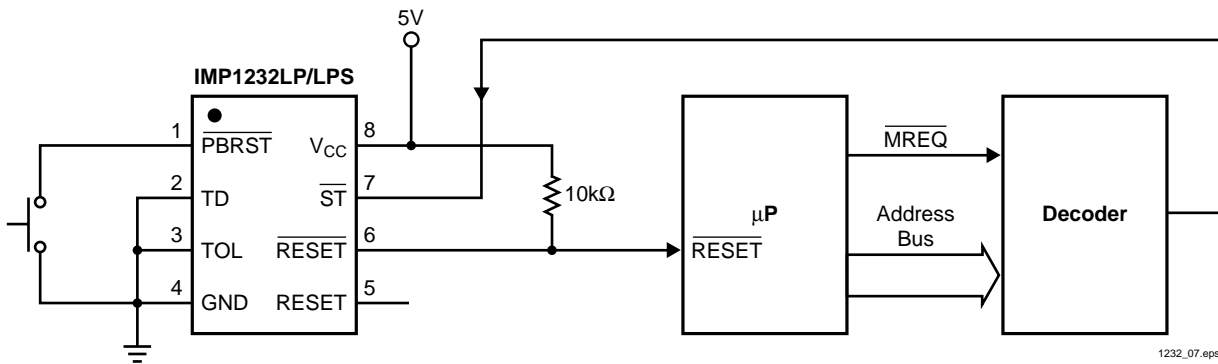
A HIGH-to-LOW \overline{ST} signal transition must be regularly issued no later than the minimum time-out period defined by the state of the TD signal. This guarantees the watchdog timer does not time-out.

Timeouts periods of approximately 150ms, 610ms or 1,200ms are selected through the TD pin.

TD Voltage Level	Watchdog Time-Out Period (ms)		
	Min	Nominal	Max
GND	62.5	150	250
Floating	250	610	1000
VCC	500	1200	2000

1232_103.eps

The watchdog timer cannot be disabled. It must be strobed with a high-to-low transition to avoid a watchdog timeout.

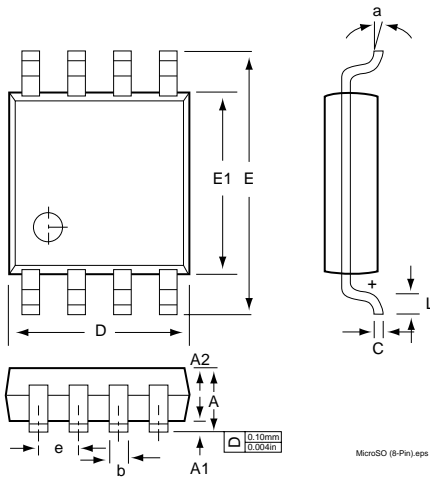


1232_07.eps

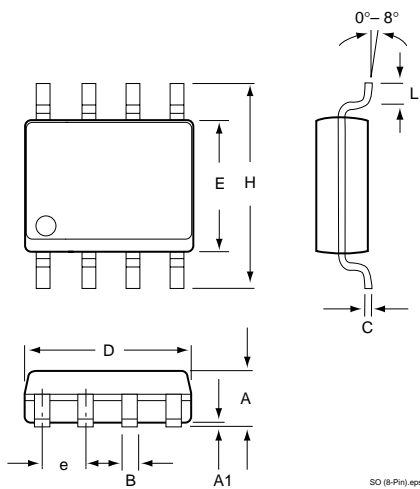
Figure 6. Application Circuit: Watchdog Timer

Package Dimensions

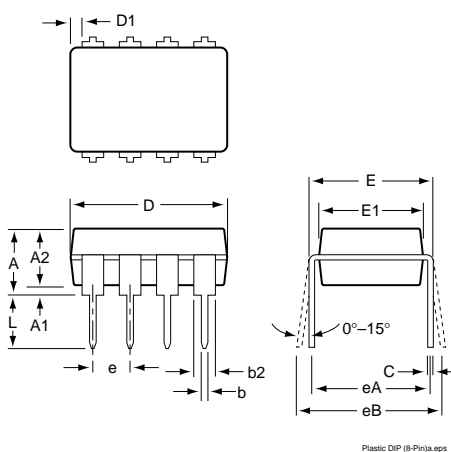
MicroSO (8-Pin)



SO (8-Pin)



Plastic DIP (8-Pin)



	Inches		Millimeters	
	Min	Max	Min	Max
MicroSO (8-Pin)*				
A	—	0.0433	—	1.10
A1	0.0020	0.0059	0.050	0.15
A2	0.0295	0.0374	0.75	0.95
b	0.0098	0.0157	0.25	0.40
C	0.0051	0.0091	0.13	0.23
D	0.1142	0.1220	2.90	3.10
e	0.0256 BSC		0.65 BSC	
E	0.193 BSC		4.90 BSC	
E1	0.1142	0.1220	2.90	3.10
L	0.0157	0.0276	0.40	0.70
a	0°	6°	0°	6°
SO (8-Pin)**				
A	0.053	0.069	1.35	1.75
A1	0.004	0.010	0.10	0.25
B	0.013	0.020	0.33	0.51
C	0.007	0.010	0.19	0.25
e	0.050		1.27	
E	0.150	0.157	3.80	4.00
H	0.228	0.244	5.80	6.20
L	0.016	0.050	0.40	1.27
D	0.189	0.197	4.80	2.00
Plastic DIP (8-Pin)***				
A	—	0.210	—	5.33
A1	0.015	—	0.38	—
A2	0.115	0.195	2.92	4.95
b	0.014	0.022	0.36	0.56
b2	0.045	0.070	1.14	1.78
b3	0.030	0.045	0.80	1.14
D	0.355	0.400	9.02	10.16
D1	0.005	—	0.13	—
E	0.300	0.325	7.62	8.26
E1	0.240	0.280	6.10	7.11
e	0.100	—	2.54	
eA	0.300	—	7.62	
eB	—	0.430	—	10.92
eC	—	0.060	—	—
L	0.115	0.150	2.92	3.81

* JEDEC Drawing MO-187AA

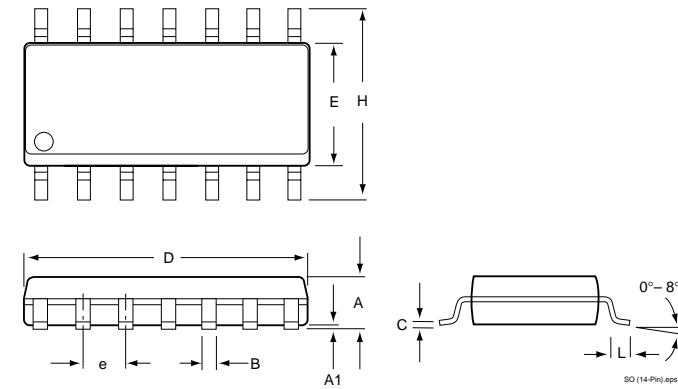
** JEDEC Drawing MS-112AA

*** JEDEC Drawing MS-001BA

1232_104.at3

Package Dimensions

SO (16-Pin)



	Inches		Millimeters	
	Min	Max	Min	Max
SO (16-Pin)*				
A	0.926	0.1043	2.35	2.65
A1	0.0040	0.0118	0.10	0.30
B	0.013	0.020	0.33	0.51
C	0.0091	0.0125	0.23	0.32
D	0.3977	0.4133	10.10	10.50
E	0.2914	0.2662	7.40	7.60
e	0.050 BSC		1.27 BSC	
H	0.394	0.419	10.00	10.65
L	0.016	0.050	0.40	1.27

* JEDEC Drawing MS-013AA

2524/26_103.at3



IMP, Inc.
 Corporate Headquarters
 2830 N. First Street
 San Jose, CA 95134-2071
 Tel: 408-432-9100
 Tel: 800-438-3722
 Fax: 408-434-0335
 e-mail: info@impinc.com
<http://www.impweb.com>

The IMP logo is a registered trademark of IMP, Inc.
 All other company and product names are trademarks of their respective owners.

© 1999 IMP, Inc.
 Printed in USA
 Publication #: 1011
 Revision: B
 Issue Date: 11/08/99
 Type: Preliminary