

TFT LCD Tentative Specification

MODEL NO.: V201V2 - T01

LCD TV Head Division	
Director	鄧振隆

QRA Dept.	TD Division	DDII	DDI
Approval	Approval	Approval	Approval
陳亦一	李江洋	鈴木慶	林文聰

LCD TV Marketing and Product Management Dept.	
Project Manager	符子輝 陳立宜

- CONTENTS -

REVISION HISTORY	-----	3
1. GENERAL DESCRIPTION	-----	4
1.1 OVERVIEW		
1.2 FEATURES		
1.3 APPLICATION		
1.4 GENERAL SPECIFICATIONS		
1.5 MECHANICAL SPECIFICATIONS		
2. ABSOLUTE MAXIMUM RATINGS	-----	5
2.1 ABSOLUTE RATINGS OF ENVIRONMENT		
2.2 ELECTRICAL ABSOLUTE RATINGS		
2.2.1 TFT LCD MODULE		
2.2.2 BACKLIGHT INVERTER UNIT		
3. ELECTRICAL CHARACTERISTICS	-----	6
3.1 TFT LCD MODULE		
3.2 BACKLIGHT UNIT		
4. BLOCK DIAGRAM	-----	9
4.1 TFT LCD MODULE		
5. INPUT TERMINAL PIN ASSIGNMENT	-----	10
5.1 TFT LCD MODULE		
5.2 COLOR DATA INPUT ASSIGNMENT		
6. INTERFACE TIMING	-----	12
6.1 INPUT SIGNAL TIMING SPECIFICATIONS		
6.2 POWER ON/OFF SEQUENCE		
7. OPTICAL CHARACTERISTICS	-----	14
7.1 TEST CONDITIONS		
7.2 OPTICAL SPECIFICATIONS		
8. PRECAUTIONS	-----	18
8.1 ASSEMBLY AND HANDLING PRECAUTIONS		
8.2 SAFETY PRECAUTIONS		
9. MECHANICAL CHARACTERISTICS	-----	19

REVISION HISTORY

Version	Date	Page (New)	Section	Description
Ver 0.0	Jun.12,'03	All	All	Tentative Specification was first issued.

1. GENERAL DESCRIPTION

1.1 OVERVIEW

V201V2-T01 is a 20.1" TFT Liquid Crystal Display module with 12-CCFL Backlight unit and 1ch-TTL interface. This module supports 640 x 480 VGA format and can display true 16.7M colors (8-bit/color).

1.2 FEATURES

- High brightness (450 nits)
- High contrast ratio (500:1)
- Fast response time
- High color saturation NTSC 75%
- VGA (640 x 480 pixels) resolution
- DE (Data Enable) only mode
- TTL interface

1.3 APPLICATION

- TFT LCD TVs

1.4 GENERAL SPECIFICATIONS

Item	Specification	Unit	Note
Active Area	408 (H) x 306 (V) (20.1" diagonal)	mm	(1)
Bezel Opening Area	412 (H) x 310 (V)	mm	
Driver Element	a-si TFT active matrix	-	-
Pixel Number	640 x R.G.B. x 480	pixel	-
Pixel Pitch(Sub Pixel)	0.2125 (H) x 0.6375 (V)	mm	-
Pixel Arrangement	RGB vertical stripe	-	-
Display Colors	16.7M	color	-
Display Operation Mode	Transmissive mode / Normally black	-	-
Surface Treatment	Hardness : 2H, Haze : 40% Anti-reflective coating < 2% reflection	-	-

1.5 MECHANICAL SPECIFICATIONS

Item	Min.	Typ.	Max.	Unit	Note	
Module Size	Horizontal(H)	435.7	436.0	436.4	mm	(1)
	Vertical(V)	329.0	329.3	329.7	mm	
	Depth(D)	-		43.0	mm	with PCB Cover
Weight	-	2200(Typ.)			-	

Note (1) Please refer to the attached drawings for more information of front and back outline dimensions.

2. ABSOLUTE MAXIMUM RATINGS

2.1 ABSOLUTE RATINGS OF ENVIRONMENT

Item	Symbol	Value		Unit	Note
		Min.	Max.		
Storage Temperature	T _{ST}	-20	+60	°C	(1)
Operating Ambient Temperature	T _{OP}	0	50	°C	(1), (2)
Shock (Non-Operating)	S _{NOP}	-	50	G	(3), (5)
Vibration (Non-Operating)	V _{NOP}	-	1.0	G	(4), (5)

Note (1) Temperature and relative humidity range is shown in the figure below.

(a) 90 %RH Max. (Ta ≤ 40 °C).

(b) Wet-bulb temperature should be 39 °C Max. (Ta > 40 °C).

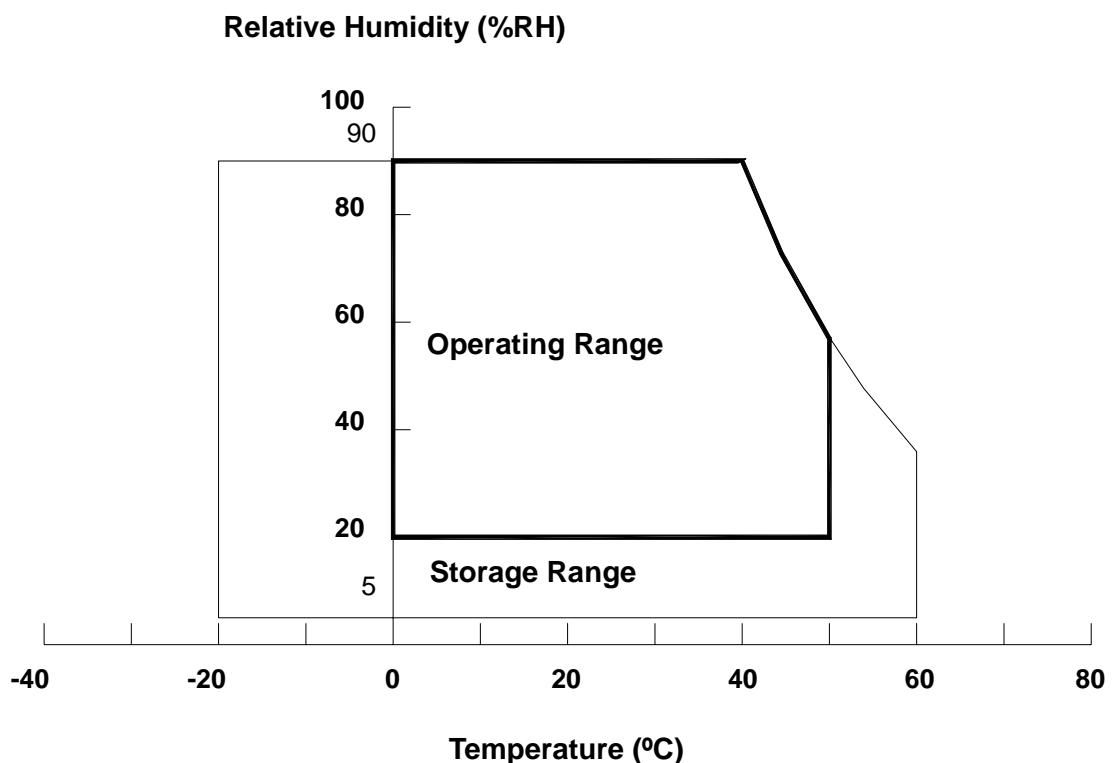
(c) No condensation.

Note (2) The temperature of panel display area surface should be 0 °C Min. and 60 °C Max.

Note (3) 11 ms, half sine wave, 1 time for ± X, ± Y, ± Z.

Note (4) 10 ~ 500 Hz, 10 min, 1 time each X, Y, Z.

Note (5) At testing Vibration and Shock, the fixture in holding the module has to be hard and rigid enough so that the module would not be twisted or bent by the fixture.



2.2 ELECTRICAL ABSOLUTE RATINGS

2.2.1 TFT LCD MODULE

Item	Symbol	Value		Unit	Note
		Min.	Max.		
Power Supply Voltage	Vcc	(-0.3)	(+5.5)	V	

2.2.2 BACKLIGHT INVERTER UNIT

Item	Symbol	Test Condition	Min.	Type	Max.	Unit	Note
Input Voltage	VBL	-	0	-	30	V	
On/Off Control Voltage	VBLON	-	-0.3	-	7	V	
Internal/External PWM Select Voltage	VSEL	-					
Internal PWM Control Voltage	VIPWM	-					
External PWM Control Voltage	VEPWM	-					
Operating Temperature	Top	5 95%RH	0	-	60		(1)
Storage Temperature	T _{ST}	5 95%RH	-30	-	70		

Note (1) Protect inverters from moisture condensation and freezing.

3. ELECTRICAL CHARACTERISTICS

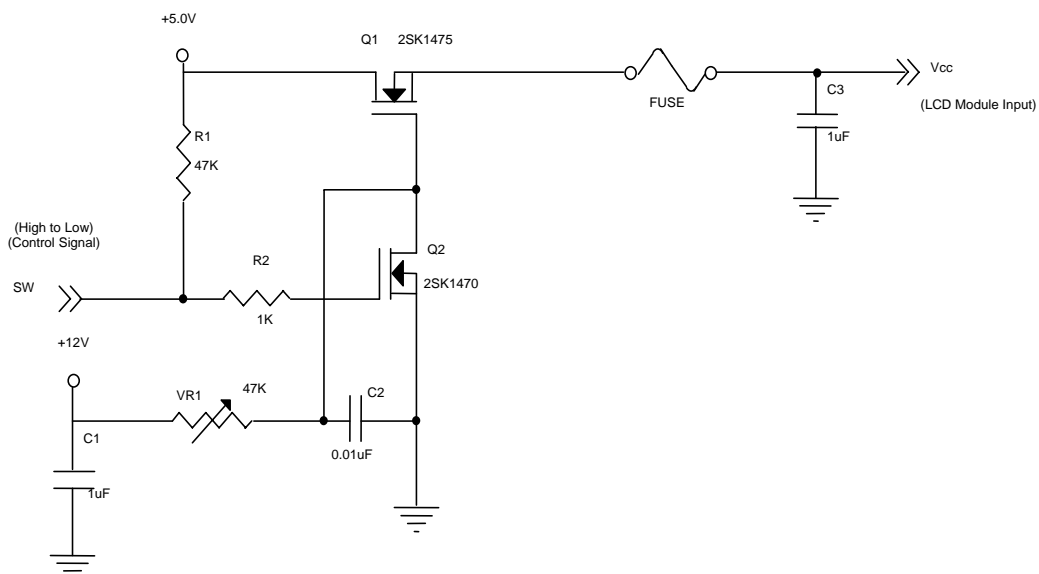
3.1 TFT LCD MODULE

Ta = 25 ± 2 °C

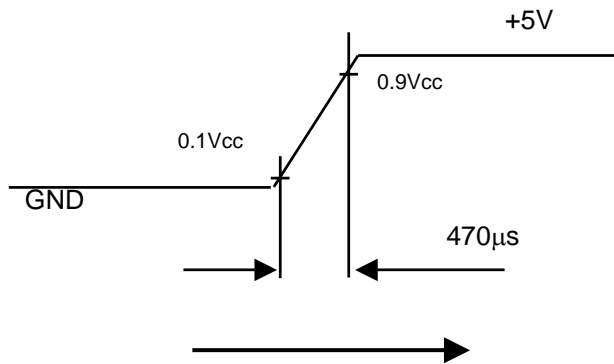
Parameter	Symbol	Value			Unit	Note	
		Min.	Typ.	Max.			
Power Supply Voltage	Vcc	4.5	5.0	5.5	V	(1)	
Ripple Voltage	V _{RP}	-	150	-	mV	(2)	
Rush Current	I _{RUSH}	-	1.9	TBD	A		
Power Supply Current	White	I _{CC}	-	0.5	-	A	(3)
	Black		-	0.4	-	A	
	Vertical Stripe		-	TBD	-	A	
TTL input high threshold voltage	V _{IH}	(2.7)	-	(3.3)	V		
TTL input low threshold voltage	V _{IL}	0	-	(0.7)	V		

Note (1) The module should be always operated within above ranges.

Note (2) Measurement Conditions:

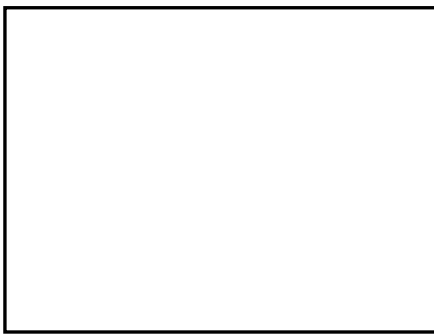


Vcc rising time is 470μs



Note (3) The specified power supply current is under the conditions at V_{cc} = 5 V, T_a = 25 ± 2 °C, f_v = 60 Hz, whereas a power dissipation check pattern below is displayed.

a. White Pattern



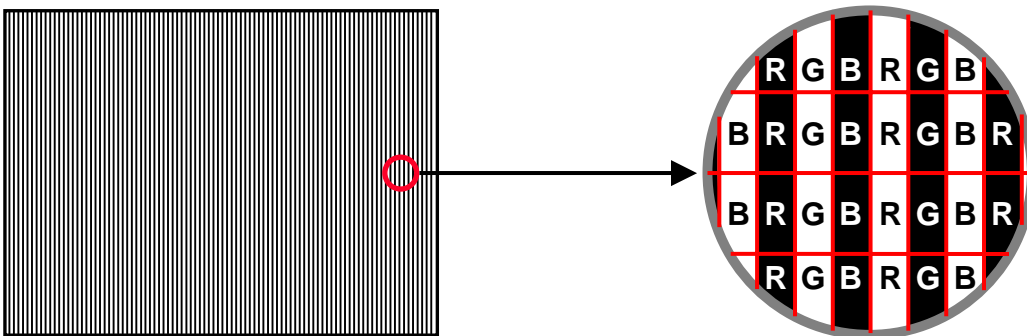
Active Area

b. Black Pattern



Active Area

c. Vertical Stripe Pattern



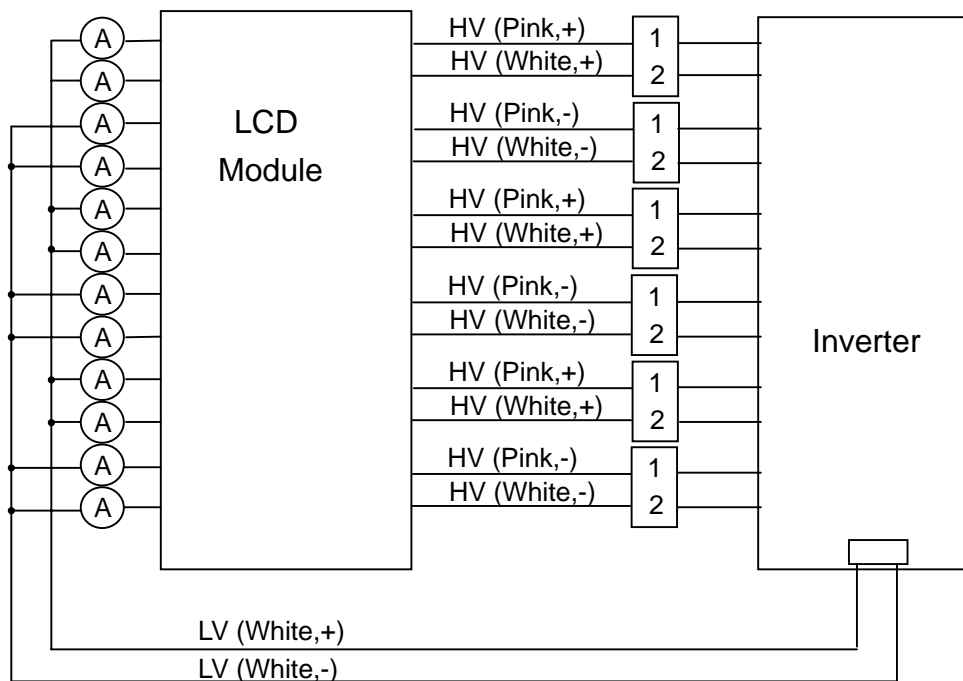
Active Area

3.2 BACKLIGHT UNIT

Ta = 25 ± 2 °C

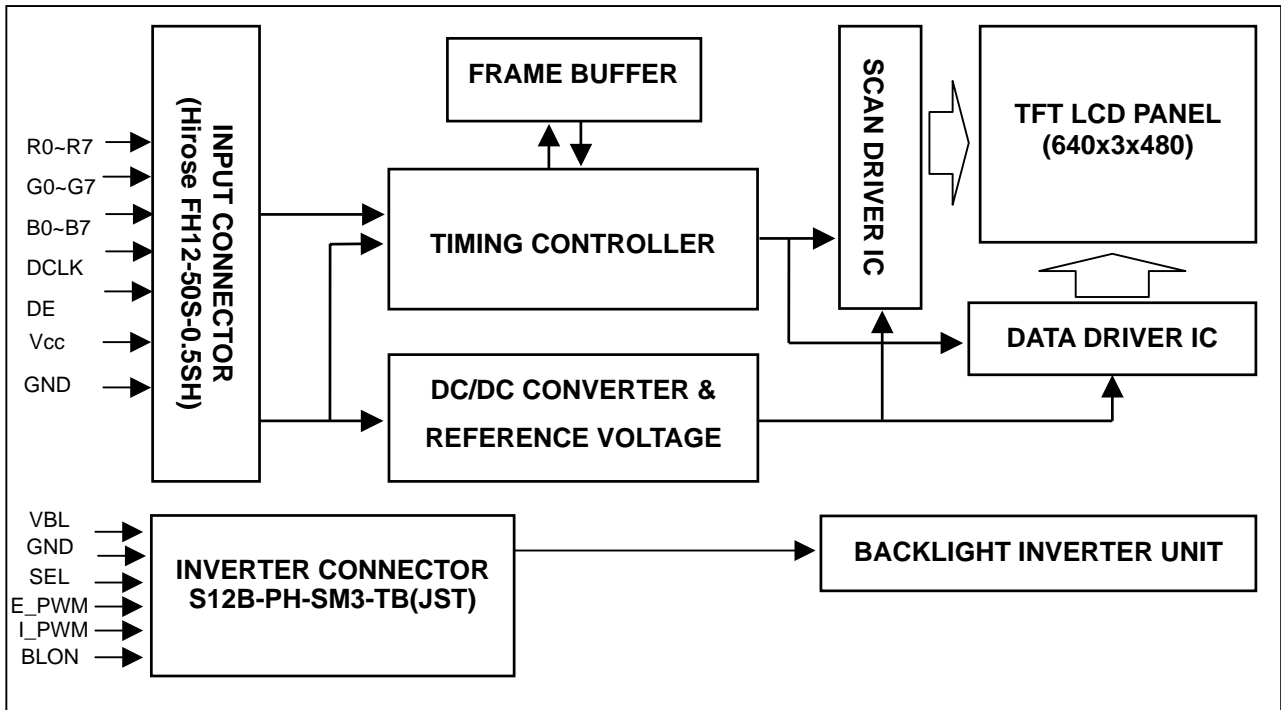
Parameter	Symbol	Value			Unit	Note
		Min.	Typ.	Max.		
Lamp Input Voltage	V _L	733	815	896	V _{RMS}	I _L = 5.5 mA
Lamp Current	I _L	5.2	5.5	5.8	mA _{RMS}	
Lamp Turn On Voltage	V _s	1650	-	3000	V _{RMS}	Ta = 0 °C
		1320	-	3000	V _{RMS}	Ta = 25 °C
Operating Frequency	F _L	35	39	43	KHz	
Lamp Life Time	L _{BL}	50000	60000	-	Hrs	
Power Consumption	P _L	-	68	-	W	Inverter Input

Note (1) Lamp current is measured by utilizing high frequency current meters as shown below:



4. BLOCK DIAGRAM

4.1 TFT LCD MODULE



5. INTERFACE PIN CONNECTION

5.1 TFT LCD MODULE

Pin assignment

Pin	Name	Description	Pin	Name	Description
1	NC	No Connection	26	R0	Red Data
2	NC	No Connection	27	GND	Ground
3	NC	No Connection	28	G7	Green Data (G7:MSB)
4	GND	Ground	29	G6	
5	GND	Ground	30	G5	
6	VCC	Power Input (+5.0V)	31	G4	
7	VCC		32	GND	Ground
8	VCC		33	G3	Green Data
9	VCC		34	G2	
10	GND	Ground	35	G1	
11	NC		36	G0	
12	NC		37	GND	Ground
13	GND	Ground	38	B7	Blue Data (B7:MSB)
14	DE	Data Enable	39	B6	
15	GND	Ground	40	B5	
16	DCLK	Dot Clock	41	B4	
17	GND	Ground	42	GND	Ground
18	R7	Red Data (R7:MSB)	43	B3	Blue Data
19	R6				
20	R5				
21	R4				
22	GND	Ground	47	GND	Ground
23	R3	Red Data	48	GND	Ground
24	R2				
25	R1				
				49	NC
			50	NC	No Connection

Note (1) Connector Part No.: FH12-50S-0.5SH (Hirose) or compatible

Note (2) NC pin has to keep high impedance

5.2 COLOR DATA INPUT ASSIGNMENT

The brightness of each primary color (red, green and blue) is based on the 8-bit gray scale data input for the color. The higher the binary input, the brighter the color. The table below provides the assignment of color versus data input.

Color		Data Signal																							
		Red								Green								Blue							
		R7	R6	R5	R4	R3	R2	R1	R0	R7	R6	G5	G4	G3	G2	G1	G0	R7	R6	B5	B4	B3	B2	B1	B0
Basic Colors	Black	0	0	0	0	0	0	0	0	0	0	0	0	0	0	0	0	0	0	0	0	0	0	0	0
	Red	1	1	1	1	1	1	1	1	0	0	0	0	0	0	0	0	0	0	0	0	0	0	0	0
	Green	0	0	0	0	0	0	0	0	1	1	1	1	1	1	1	1	0	0	0	0	0	0	0	0
	Blue	0	0	0	0	0	0	0	0	0	0	0	0	0	0	0	0	1	1	1	1	1	1	1	1
	Cyan	0	0	0	0	0	0	0	0	1	1	1	1	1	1	1	1	1	1	1	1	1	1	1	1
	Magenta	1	1	1	1	1	1	1	1	0	0	0	0	0	0	0	0	1	1	1	1	1	1	1	1
	Yellow	1	1	1	1	1	1	1	1	1	1	1	1	1	1	1	1	0	0	0	0	0	0	0	0
	White	1	1	1	1	1	1	1	1	1	1	1	1	1	1	1	1	1	1	1	1	1	1	1	1
Gray Scale Of Red	Red(0) / Dark	0	0	0	0	0	0	0	0	0	0	0	0	0	0	0	0	0	0	0	0	0	0	0	0
	Red(1)	0	0	0	0	0	0	0	1	0	0	0	0	0	0	0	0	0	0	0	0	0	0	0	0
	Red(2)	0	0	0	0	0	0	1	0	0	0	0	0	0	0	0	0	0	0	0	0	0	0	0	0
	:	:	:	:	:	:	:	:	:	:	:	:	:	:	:	:	:	:	:	:	:	:	:	:	:
	:	:	:	:	:	:	:	:	:	:	:	:	:	:	:	:	:	:	:	:	:	:	:	:	:
	Red(253)	1	1	1	1	1	1	0	1	0	0	0	0	0	0	0	0	0	0	0	0	0	0	0	0
	Red(254)	1	1	1	1	1	1	1	0	0	0	0	0	0	0	0	0	0	0	0	0	0	0	0	0
	Red(255)	1	1	1	1	1	1	1	1	0	0	0	0	0	0	0	0	0	0	0	0	0	0	0	0
Gray Scale Of Green	Green(0) / Dark	0	0	0	0	0	0	0	0	0	0	0	0	0	0	0	0	0	0	0	0	0	0	0	0
	Green(1)	0	0	0	0	0	0	0	0	0	0	0	0	0	0	1	0	0	0	0	0	0	0	0	0
	Green(2)	0	0	0	0	0	0	0	0	0	0	0	0	0	0	1	0	0	0	0	0	0	0	0	0
	:	:	:	:	:	:	:	:	:	:	:	:	:	:	:	:	:	:	:	:	:	:	:	:	:
	:	:	:	:	:	:	:	:	:	:	:	:	:	:	:	:	:	:	:	:	:	:	:	:	:
	Green(253)	0	0	0	0	0	0	0	0	1	1	1	1	1	1	0	1	0	0	0	0	0	0	0	0
	Green(254)	0	0	0	0	0	0	0	0	1	1	1	1	1	1	1	0	0	0	0	0	0	0	0	0
	Green(255)	0	0	0	0	0	0	0	0	1	1	1	1	1	1	1	1	0	0	0	0	0	0	0	0
Gray Scale Of Blue	Blue(0) / Dark	0	0	0	0	0	0	0	0	0	0	0	0	0	0	0	0	0	0	0	0	0	0	0	0
	Blue(1)	0	0	0	0	0	0	0	0	0	0	0	0	0	0	0	0	0	0	0	0	0	0	0	1
	Blue(2)	0	0	0	0	0	0	0	0	0	0	0	0	0	0	0	0	0	0	0	0	0	0	1	0
	:	:	:	:	:	:	:	:	:	:	:	:	:	:	:	:	:	:	:	:	:	:	:	:	:
	:	:	:	:	:	:	:	:	:	:	:	:	:	:	:	:	:	:	:	:	:	:	:	:	:
	Blue(253)	0	0	0	0	0	0	0	0	0	0	0	0	0	0	0	0	1	1	1	1	1	1	0	1
	Blue(254)	0	0	0	0	0	0	0	0	0	0	0	0	0	0	0	0	1	1	1	1	1	1	1	0
	Blue(255)	0	0	0	0	0	0	0	0	0	0	0	0	0	0	0	0	1	1	1	1	1	1	1	1

Note (1) 0: Low Level Voltage, 1: High Level Voltage

6. INTERFACE TIMING

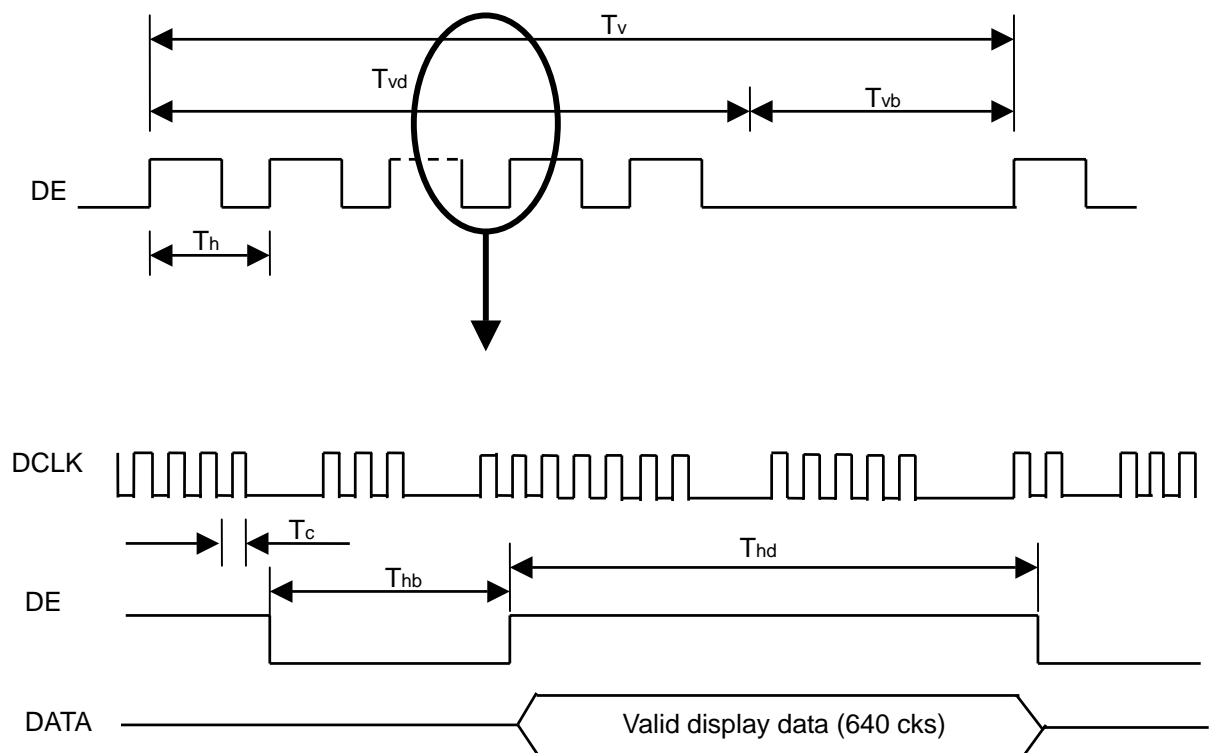
6.1 INPUT SIGNAL TIMING SPECIFICATIONS

The input signal timing specifications are shown as the following table and timing diagram.

Signal	Item	Symbol	Min.	Typ.	Max.	Unit	Note
Clock	Frequency	1/Tc	(20)	25.175	(30)	MHZ	-
	Frame Rate	Fr	(50)	60	(70)	Hz	-
Vertical Active Display Term	Total	Tv	(500)	525	(550)	Th	Tv=Tvd+Tvb
	Display	Tvd	480	480	480	Th	-
	Blank	Tvb	(20)	45	(70)	Th	-
	Horizontal Active Display Term	Total	Th	(700)	800	(900)	Tc
Horizontal Active Display Term	Display	Thd	640	640	640	Tc	-
	Blank	Thb	(60)	160	(260)	Tc	-

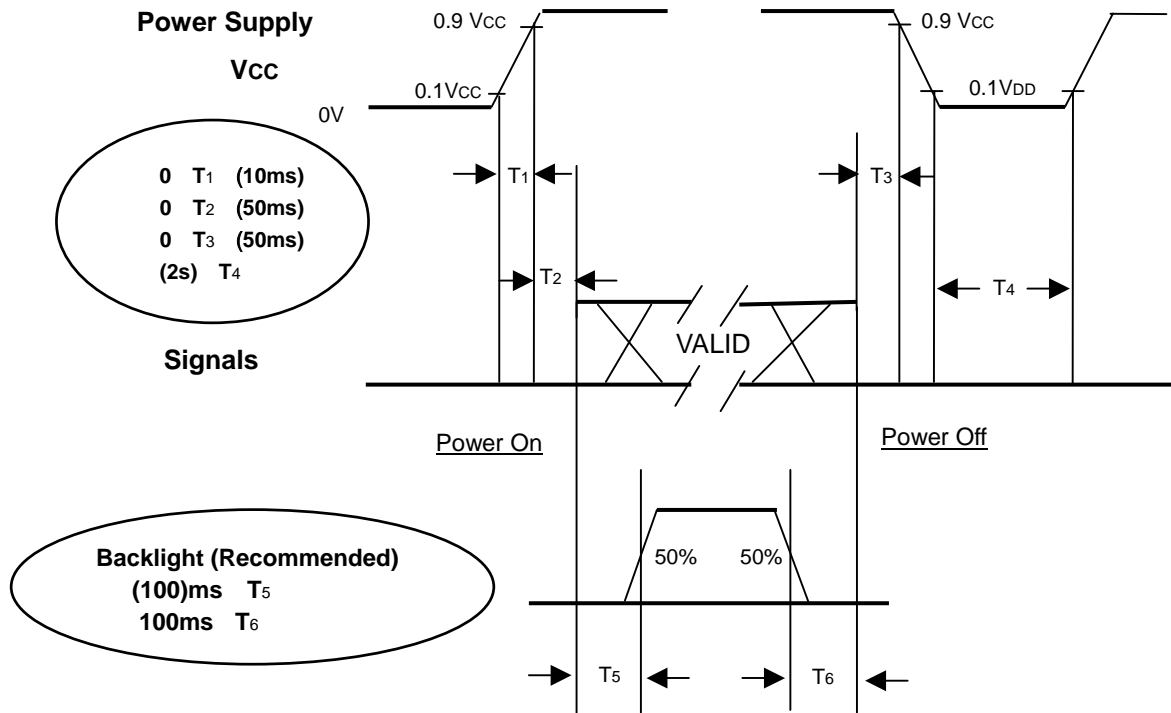
Note: Because of this module is operated by DE only mode, Hsync and Vsync input signals should be set to low logic level or ground. Otherwise, this module would operate abnormally.

INPUT SIGNAL TIMING DIAGRAM



6.2 POWER ON/OFF SEQUENCE

To prevent a latch-up or DC operation of LCD module, the power on/off sequence should be as the diagram below.



Power ON/OFF Sequence

Note (1) The supply voltage of the external system for the module input should be the same as the definition of Vcc.

Note (2) Apply the lamp voltage within the LCD operation range. When the backlight turns on before the LCD operation or the LCD turns off before the backlight turns off, the display may momentarily become abnormal screen.

Note (3) In case of VCC = off level, please keep the level of input signals on the low or keep a high impedance.

Note (4) T4 should be measured after the module has been fully discharged between power off and on period.

Note (5) Interface signal shall not be kept at high impedance when the power is on.

7. OPTICAL CHARACTERISTICS

7.1 TEST CONDITIONS

Item	Symbol	Value	Unit
Ambient Temperature	Ta	25±2	°C
Ambient Humidity	Ha	50±10	%RH
Supply Voltage	V _{CC}	5.0	V
Input Signal	According to typical value in "3. ELECTRICAL CHARACTERISTICS"		
Inverter Current	I _L	(5.5)	mA
Inverter Driving Frequency	F _L	(39)	KHz
Inverter	(DELTA)		

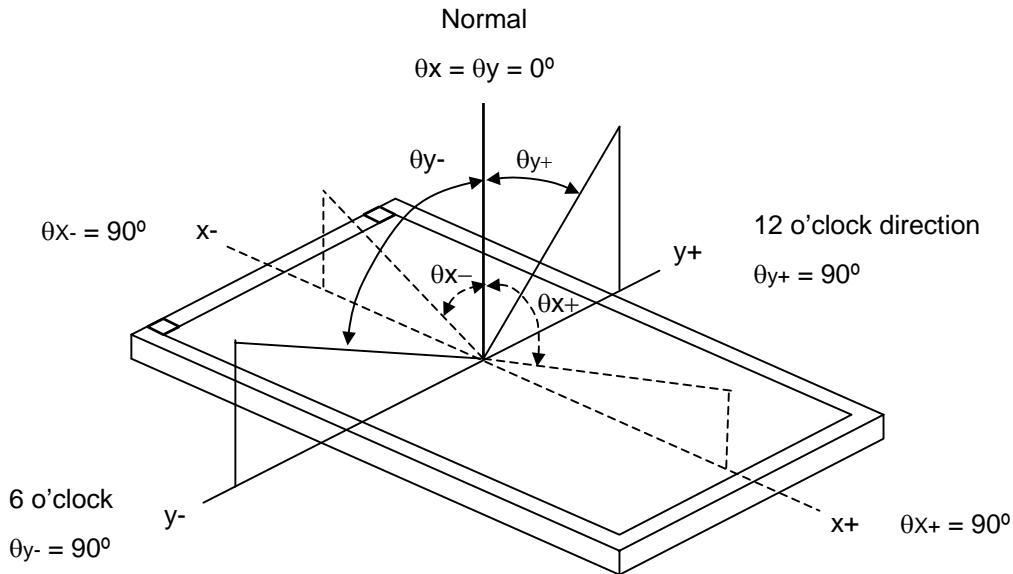
7.2 OPTICAL SPECIFICATIONS

The relative measurement methods of optical characteristics are shown in 7.2. The following items should be measured under the test conditions described in 7.1 and stable environment shown in Note (6).

Item	Symbol	Condition	Min.	Typ.	Max.	Unit	Note	
Contrast Ratio	CR	$\theta_x=0^\circ, \theta_y=0^\circ$ Viewing Normal Angle		(500)	-	-	Note(2)	
Response Time	T _R		-	(15)	-	ms	Note(3)	
	T _F		-	(10)	-	ms		
			Gray to gray		(16.6)			Note(4)
Center Luminance of White	L _C			(400)	(450)	-	cd/m ²	Note(5)
White Variation	δW			-	-	(1.6)	-	Note(8)
Cross Talk	CT			-	-	(4)	%	Note(6)
Color Chromaticity	Red		Rx		TBD		-	Note(7)
			Ry		TBD		-	
	Green		Gx		TBD		-	
		Gy		TBD		-		
	Blue	Bx		TBD		-		
		By		TBD		-		
	White	Wx		(0.285)		-		
Wy			(0.293)		-			
Color Gamut			(75)	-	%			
Viewing Angle	Horizontal	θ_{x+}		(85)	-	Deg.	Note(1)	
		θ_{x-}		(85)	-			
	Vertical	θ_{y+}	CR≥10		(85)			-
		θ_{y-}			(85)			-

Note (1) Definition of Viewing Angle (θ_x, θ_y):

Viewing angles are measured by Eldim EZ-Contrast 160R



Note (2) Definition of Contrast Ratio (CR):

The contrast ratio can be calculated by the following expression.

$$\text{Contrast Ratio (CR)} = L_{255} / L_0$$

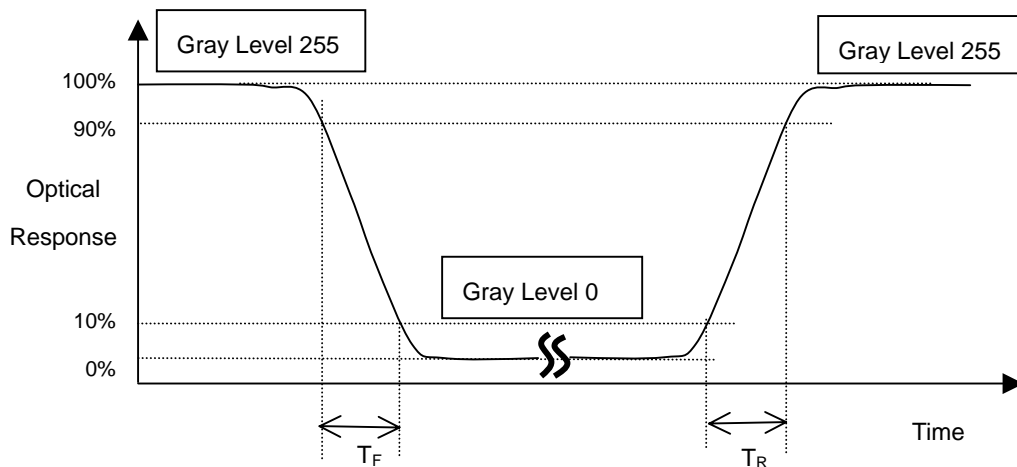
L255: Luminance of gray level 255

L 0: Luminance of gray level 0

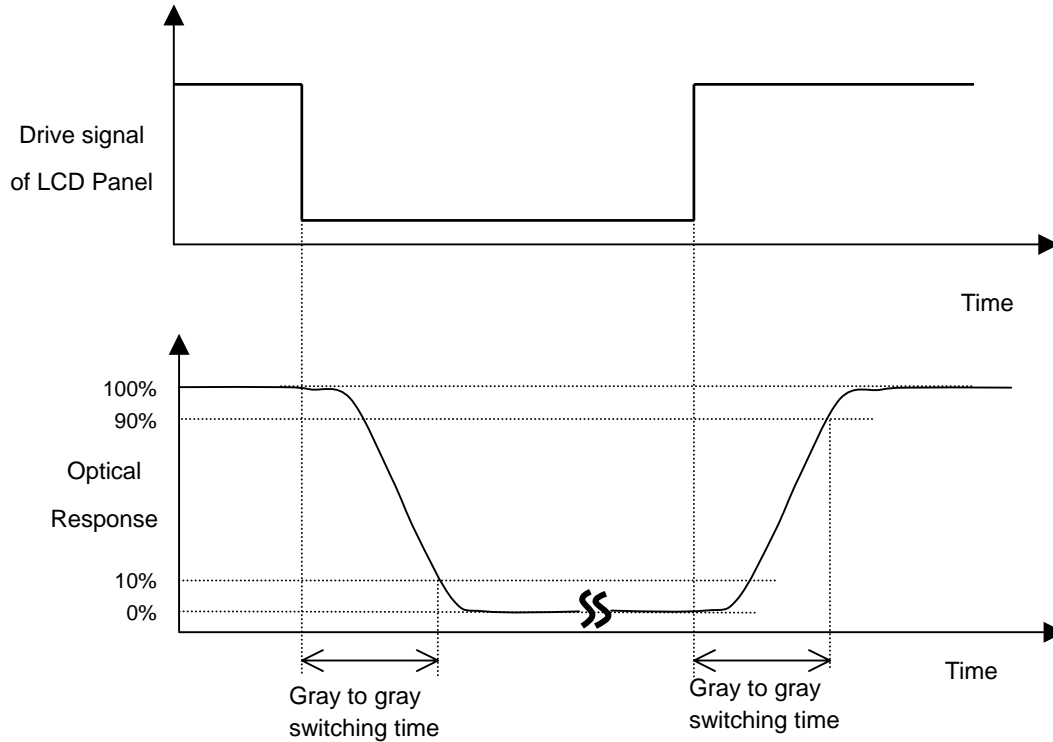
$$\text{CR} = \text{CR} (5)$$

CR (X) is corresponding to the Contrast Ratio of the point X at the figure in Note (7).

Note (3) Definition of Response Time (T_R, T_F):



Note (4) Definition of Gray to Gray Switching Time:



The driving signal means the signal of gray level 0, 63, 127, 191, 255.

Note (5) Definition of Luminance of White (L_C , L_{AVE}):

Measure the luminance of gray level 255 at center point and 5 points

$$L_C = L(5)$$

$$L_{AVE} = [L(1) + L(2) + L(3) + L(4) + L(5)] / 5$$

$L(x)$ is corresponding to the luminance of the point X at the figure in Note (7).

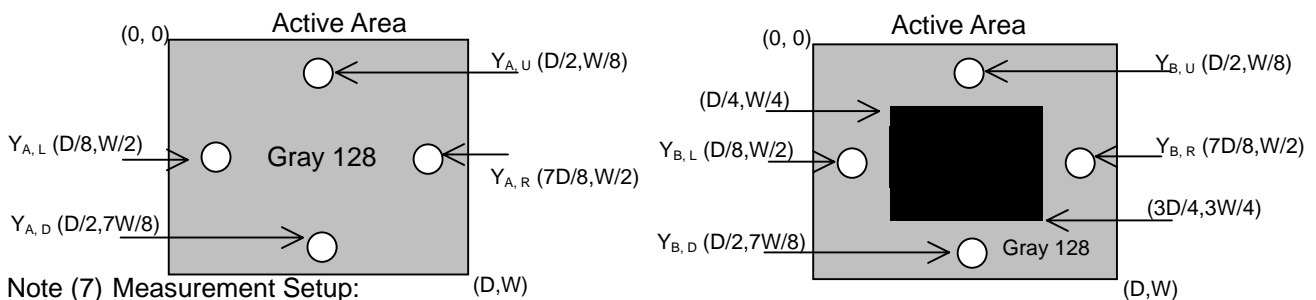
Note (6) Definition of Cross Talk (CT):

$$CT = |Y_B - Y_A| / Y_A \times 100 (\%)$$

Where:

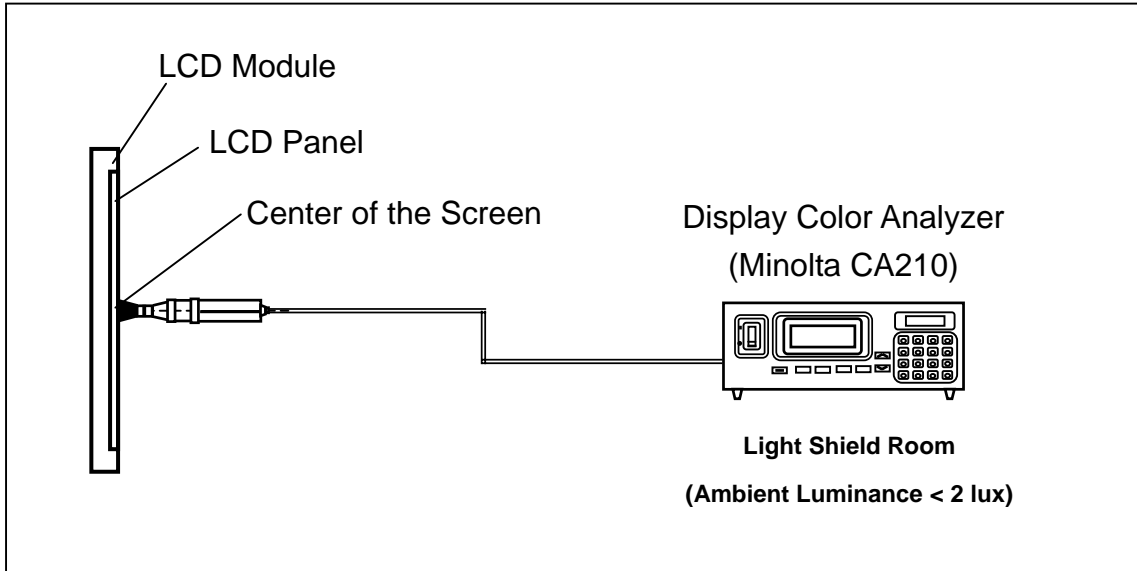
Y_A = Luminance of measured location without gray level 0 pattern (cd/m^2)

Y_B = Luminance of measured location with gray level 0 pattern (cd/m^2)



Note (7) Measurement Setup:

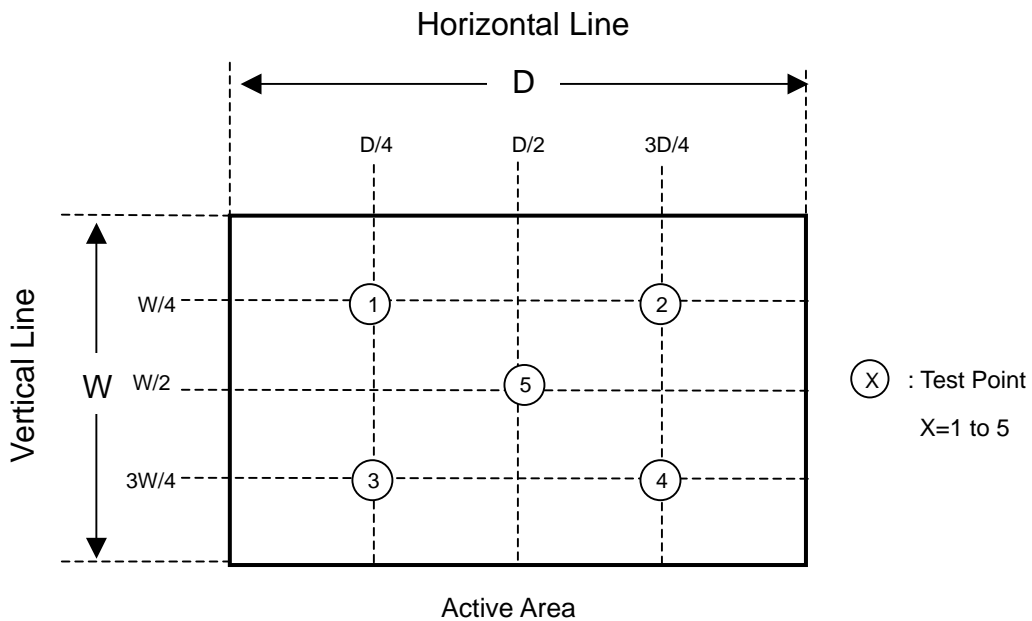
The LCD module should be stabilized at given temperature for 1 hour to avoid abrupt temperature change during measuring. In order to stabilize the luminance, the measurement should be executed after lighting Backlight for 1 hour in a windless room.



Note (8) Definition of White Variation (δW):

Measure the luminance of gray level 255 at 5 points

$$\delta W = \text{Maximum} [L (1), L (2), L (3), L (4), L (5)] / \text{Minimum} [L (1), L (2), L (3), L (4), L (5)]$$



8. PRECAUTIONS

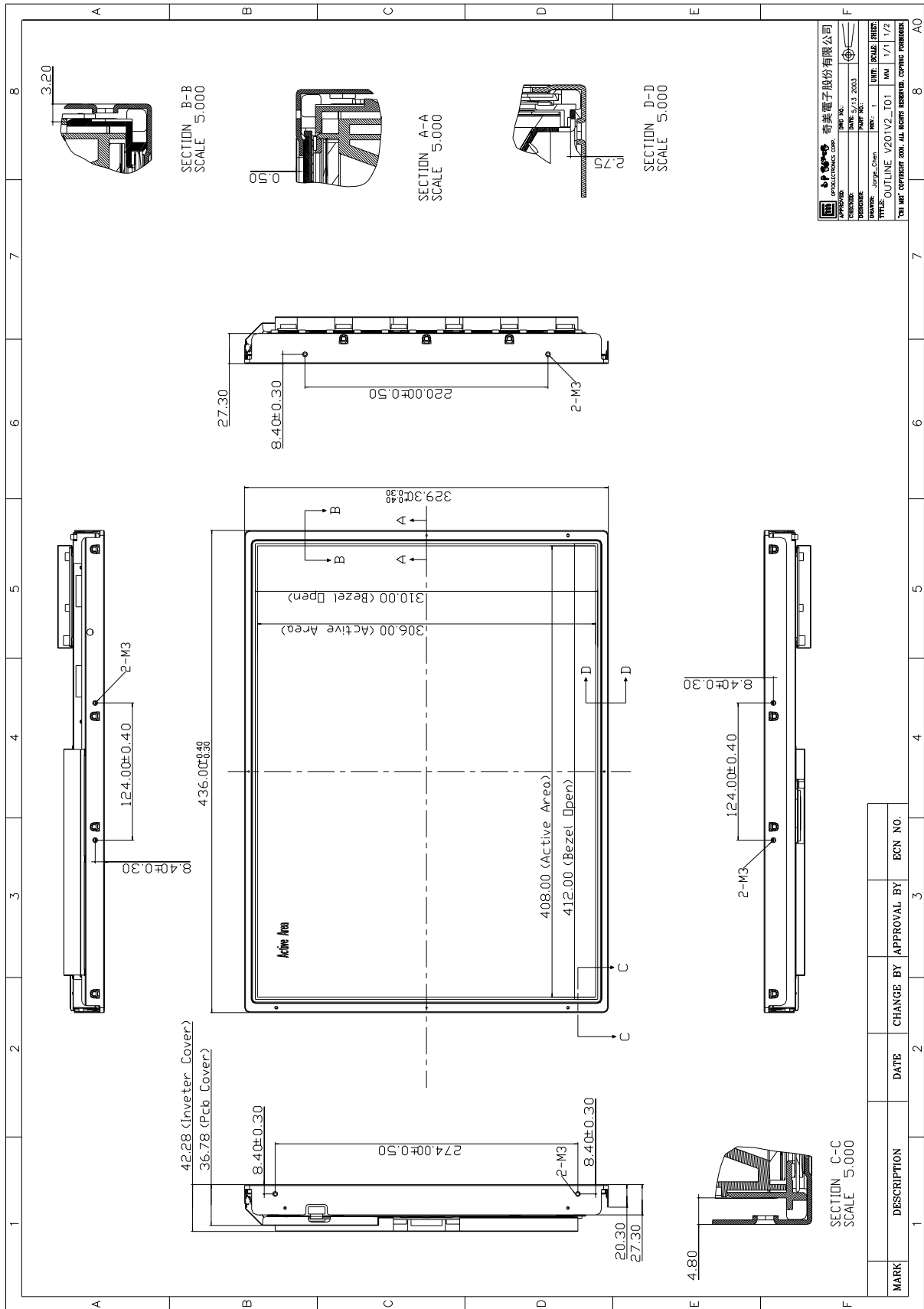
8.1 ASSEMBLY AND HANDLING PRECAUTIONS

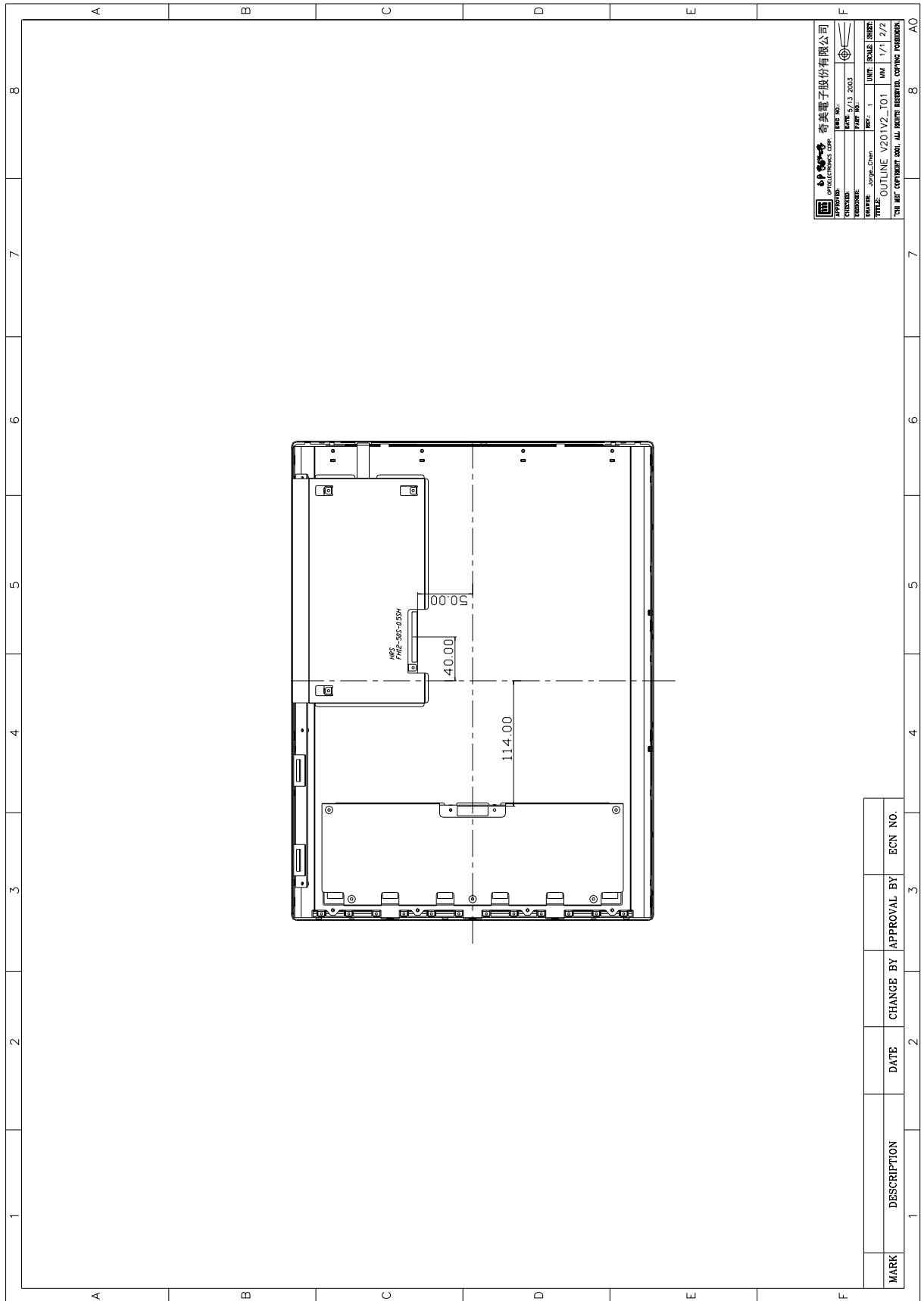
- (1) Do not apply rough force such as bending or twisting to the module during assembly.
- (2) It is recommended to assemble or to install a module into the user's system in clean working areas.
The dust and oil may cause electrical short or worsen the polarizer.
- (3) Do not apply pressure or impulse to the module to prevent the damage of LCD panel and Backlight.
- (4) Always follow the correct power-on sequence when the LCD module is turned on. This can prevent the damage and latch-up of the CMOS LSI chips.
- (5) Do not plug in or pull out the I/F connector while the module is in operation.
- (6) Do not disassemble the module.
- (7) Use a soft dry cloth without chemicals for cleaning, because the surface of polarizer is very soft and easily scratched.
- (8) Moisture can easily penetrate into LCD module and may cause the damage during operation.
- (9) High temperature or humidity may deteriorate the performance of LCD module. Please store LCD modules in the specified storage conditions.
- (10) When ambient temperature is lower than 10°C, the display quality might be reduced. For example, the response time will become slow, and the starting voltage of CCFL will be higher than that of room temperature.

8.2 SAFETY PRECAUTIONS

- (1) The startup voltage of a Backlight is approximately 1000 Volts. It may cause an electrical shock while assembling with the inverter. Do not disassemble the module or insert anything into the Backlight unit.
- (2) If the liquid crystal material leaks from the panel, it should be kept away from the eyes or mouth. In case of contact with hands, skin or clothes, it has to be washed away thoroughly with soap.
- (3) After the module's end of life, it is not harmful in case of normal operation and storage.

9. MECHANICAL CHARACTERISTICS





奇美電子股份有限公司
 OPTOELECTRONICS CORP.
 CHECKED: DATE: 5/13/2003
 DRAWING: Jorgel-Chen
 TITLE: OUTLINE V201V2-T01
 UNIT: MM
 SCALE: 1/1
 SHEET: 1/1
 2/2
 YOU MAY COPYRIGHT 2003. ALL RIGHTS RESERVED. COPYRIGHT PROVISIONS.