

PC87570 Keyboard and Power Management Controller

Highlights

General Description

The PC87570 is a highly integrated embedded RISC-based controller optimized for power management (PM), keyboard and mouse (KBC) and system control in portable Personal Computer (PC) applications.

The PC87570 incorporates National's CompactRISC™ CR16A core, a high performance 16-bit RISC processor core, a Bus Interface Unit (BIU) that directly interfaces with memory and I/O devices, on-chip memory and system support functions. Among these are legacy functions, handled by the Host Bus Interface (HBI), that include the Real-Time Clock and Advanced Power Control (RTC and APC), and peripherals, including: frequency-multiplier-based High Frequency Clock Generator (HFCG), Power Mode Control (PMC), Interrupt Control Unit (ICU), Multi-Input Wake-Up (MIWU), General Purpose I/O Ports (GPIO) with internal keyboard matrix scanning, PS/2® Interface, ACCESS.bus®

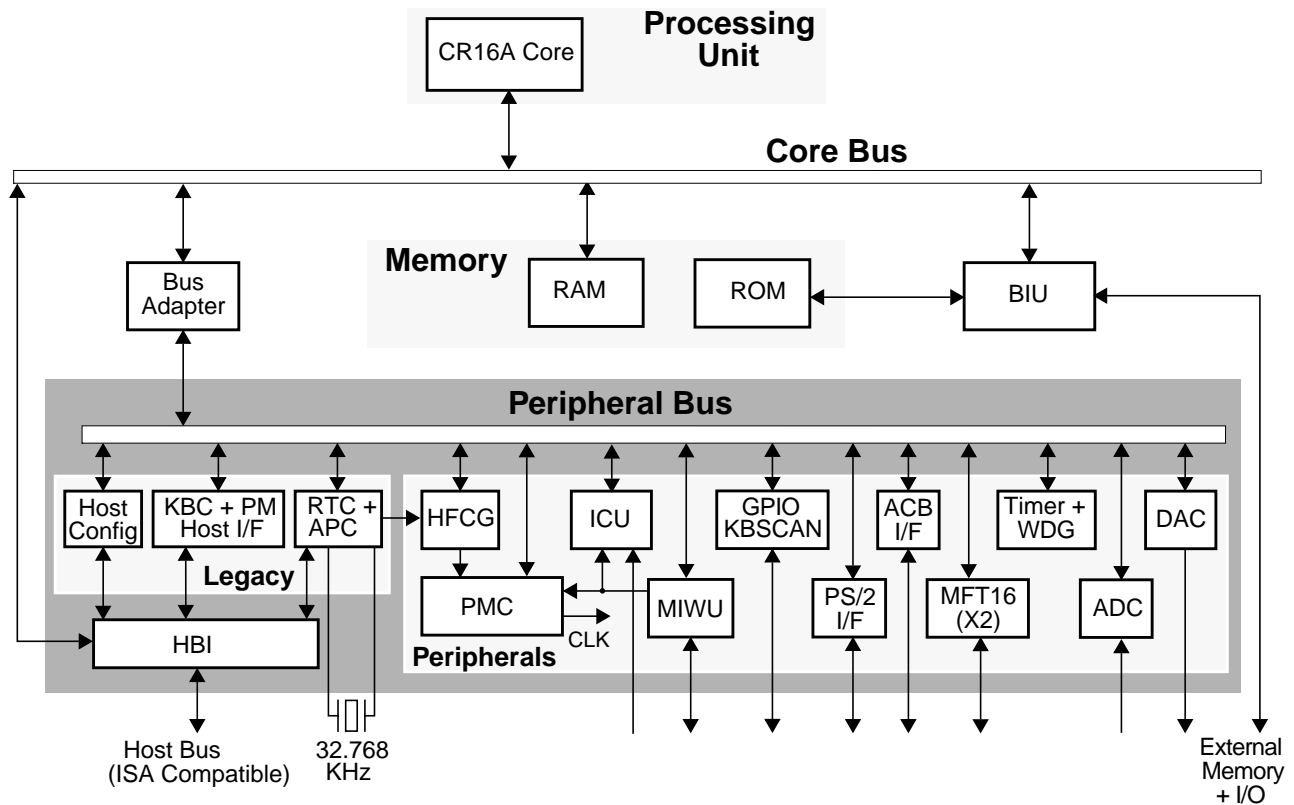
(ACB) Interface, two Multi-Function 16-Bit Timers (MFT16), periodic interrupt timer and WATCHDOG™ (TWD), ADC and DAC.

The PC87570 highly efficient architecture and its on-chip peripherals, supporting functions and low power consumption, provide a highly integrated solution for portable notebook PCs, sub-notebook PCs and other portable devices.

Outstanding Features

- Shared BIOS memory
- Fully ACPI-compliant embedded controller
- Proprietary PS/2 shift mechanism
- Extremely low current consumption in Idle mode
- Support for a variety of off-chip wake-up sources
- Scalable design for growth without controller upgrade

Block Diagram



CompactRISC™, WATCHDOG™ and TRI-STATE® are trademarks of National Semiconductor Corporation.
IBM®, PC-AT® and PS/2® are registered trademarks of International Business Machines Corporation.
ACCESS.bus® is a registered trademark of Digital Equipment Corporation.
I²C® is a registered trademark of Philips.

Features

- CR16A Core
 - 16-bit embedded RISC processor core
- Bus Interface Unit (BIU)
 - Three address zones for static devices (SRAM, ROM FLASH, I/O)
 - Configurable wait states and fast read bus cycles
- Internal Memory
 - 2048 bytes of on-chip ROM
 - 1024 bytes of on-chip RAM
 - All memories can hold both code and data
- External Memory
 - Supports BIOS memory (Flash) sharing with PC host
 - Up to 56 Kbyte for code and data
 - Field upgradable with Flash or SRAM devices
 - Supports host controlled code download and update
- Host Bus Interface (HBI)
 - Three host interface channels, typically used for the KBC, PM and RTC devices
 - Motherboard Plug and Play (PnP) configuration
 - o With Enable and Lock bits for each device
 - o Relocatable address for each device
 - Host power supply indicator input pin
 - 8042 KBC standard Interface (60h, 64h)
 - Intel 80C51SL compatible
 - IRQ1 and IRQ12 support
 - Fast Gate A20 and Fast host Reset, via firmware
 - PM interface port (62h, 66h)
 - PM port IRQ11
- Real-Time Clock (RTC) and Advanced Power Control (APC)
 - RTC
 - o DS1287, MC146818 and PC87911 compatible
 - o 242 bytes battery backed-up CMOS RAM
 - o Calendar including century and automatic leap-year adjustment
 - o Optional daylight saving adjustment
 - o BCD or binary format for timekeeping
 - o Three individually maskable interrupt event flags: periodic rates from 122 μ s to 500 ms; time-of-day alarm, once per second to once per day
 - o Separate backup battery pin
 - o Double buffer time registers
 - o The CMOS RAM and the RTC registers can be accessed by the CR16A firmware
 - APC
 - o Alarm wake-up
 - o Hardware wake-up events
 - o Software off events
- HFCG
 - On-chip frequency multiplier
 - Single 32.786KHz crystal
 - Software controlled frequency generation
- PMC
 - 3.3 and 5V operation with mixed voltage system support
 - Reduced power consumption capability
 - Back-drive protection
 - Three power modes, switched by software or hardware:
 - o Active mode operating frequency 4-10MHz
 - o Idle (20 μ A)
 - o Power Off - RTC only (0.9 μ A typical) from back-up battery
 - Automatic wake-up on system events
- ICU
 - 16 maskable interrupt sources
 - Four general purpose external interrupt inputs
 - Programmable trigger mode (level: high or low, edge: falling or rising)
 - Enable and pending indication for each interrupt
 - Non-maskable interrupt input
- MIWU
 - Supports up to 24 wake-up or interrupt inputs
 - Generates wake-up to PMC
 - Generates interrupts to ICU
 - Provides user-selectable trigger conditions
- GPIO
 - 76 ports
 - I/O pins individually configured as input or output
 - Configurable internal pull-up resistors
 - Special ports for internal keyboard matrix scanning
 - o 16 open-collector outputs
 - o 8 Schmidt inputs with internal pull-up
 - Special input for system On/Off switch
 - Supports very low-cost implementation of additional off-chip I/O ports
- PS/2 Interface
 - Supports three independent devices (external KBC, mouse and additional pointing device)
 - Supports byte level handling via hardware accelerator
- ACB Interface
 - Intel SMBus and Philips I²C[®] compatible
 - ACCESS.bus master and slave
 - Supports polling and interrupt controlled operation
 - Generates a wake-up signal on detection of a Start Condition, while in power-down mode
 - Optional internal pull-up on SDA and SCL pins

- MFT16
 - Two 16-bit timers
 - Each timer supports Pulse Width Modulator (PWM), Capture and Counter capabilities
- TWD
 - 16-bit periodic interrupt timer with 30- μ s resolution and 5-bit prescaler, for system tick and periodic wake-up tasks
 - 8-bit WATCHDOG timer
- ADC
 - Eight channels, 8-bit resolution
- 10 μ s conversion/channel
- Internal or external voltage reference
- DAC
 - Four channels, 8-bit resolution
 - 1 μ s conversion time for 50 pF load
 - Full output range from AGND to AVCC
- Supports Microsoft Advanced Power Management (APM) specifications revision 1.2, February 1996
 - Generates the System Management Interrupt (SMI)
- 160-pin PQFP and 176-pin TQFP packages

Basic Configuration

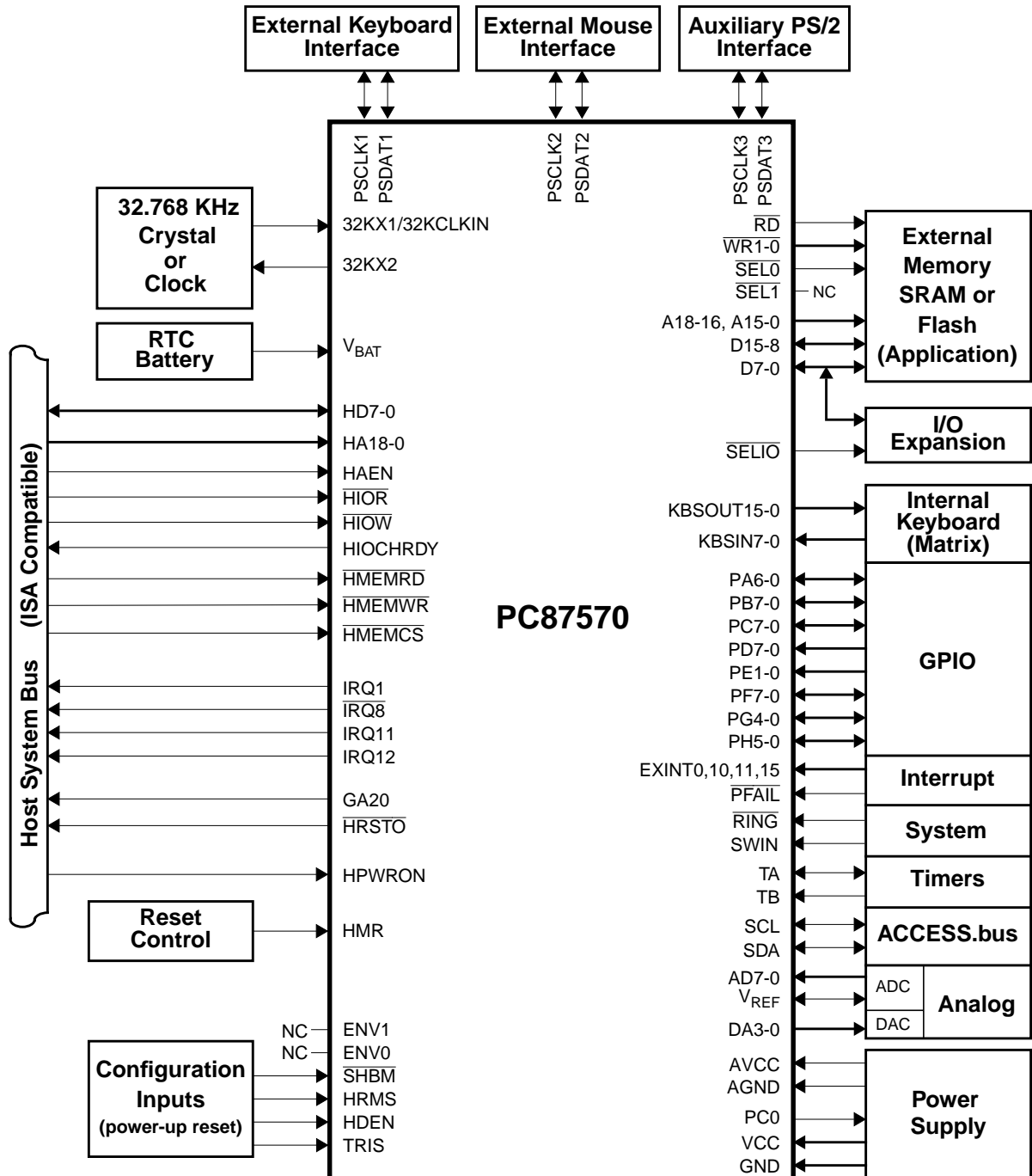


Table of Contents

Highlights	1
1.0 Introduction	
1.1 INTERNAL ARCHITECTURE	14
1.1.1 Processing Unit	14
1.1.2 BIU	14
1.1.3 Memory	14
1.1.4 HBI	14
1.1.5 Peripherals	14
1.2 EXPANSION OPTIONS	15
1.3 OPERATING ENVIRONMENTS	15
1.3.1 IRE Environment	16
1.3.2 IRD Environment	17
1.3.3 DEV Environment	18
2.0 Signal/Pin Connection and Description	
2.1 CONNECTION DIAGRAMS	19
2.2 SIGNAL/PIN DESCRIPTIONS	21
2.3 RESET SOURCES AND TYPES	26
2.3.1 Power-Up Reset	26
2.3.2 Warm Reset	26
2.3.3 WATCHDOG Reset	26
2.3.4 Triggering Reset	26
2.4 STRAP PINS	26
2.4.1 Setting the Environment	26
2.4.2 Other Strap Pin Settings	26
2.4.3 System Load on Strap Pins	27
2.4.4 Strap Inputs During Idle Mode	27
2.4.5 Strap Pin Status Register (STRPST)	27
2.5 ALTERNATE FUNCTIONS	27
2.6 SYSTEM CONFIGURATION REGISTERS	29
2.6.1 Module Configuration Register (MCFG)	29
2.6.2 PAGE Register	30
2.7 SHARED MEMORY CONFIGURATION	30
2.8 MEMORY MAP	30
2.8.1 Accessing Base Memory	31
2.8.2 Accessing External Memory	32
2.8.3 Accessing I/O Expansion Space	33
3.0 Bus Interface Unit (BIU)	
3.1 FEATURES	34
3.2 FUNCTIONAL DESCRIPTION	34
3.2.1 Interfacing	34
3.2.2 Static Memory and I/O Support	34

3.2.3	Byte Accessing	34
3.3	CLOCK AND BUS CYCLES	34
3.3.1	Clock Cycles	34
3.3.2	Control Signals	35
3.3.3	Early Write Bus Cycle	36
3.3.4	Late Write Bus Cycle	38
3.3.5	Normal Read Bus Cycle	40
3.3.6	Fast Read Bus Cycle	42
3.3.7	I/O Expansion Bus Cycles	43
3.3.8	I/O Expansion Example	44
3.4	DEVELOPMENT SUPPORT	44
3.4.1	Bus Status Signals	44
3.4.2	Core Bus Monitoring	44
3.5	BIU REGISTERS	45
3.5.1	BIU Configuration Register (BCFG)	45
3.5.2	I/O Zone Configuration Register (IOCFG)	45
3.5.3	Static Zone Configuration Register (SZCFGn)	45
3.6	USAGE HINTS	46
4.0	On-Chip Memory	
4.1	INTERNAL RAM	47
4.2	INTERNAL ROM	47
4.2.1	Access Times	47
4.2.2	ROM Shadow	47
5.0	Host Bus Interface (HBI)	
5.1	FEATURES	48
5.2	HOST ACCESS TO SHARED MEMORY DEVICE	49
5.2.1	Enabling Shared Memory Mode	49
5.2.2	Memory Device Interface	49
5.2.3	Host Access to Shared Memory	49
5.3	CORE ACCESS TO RTC/APC	49
5.3.1	Host and CR16A Arbitration over RTC/APC	49
5.4	USAGE HINTS	49
5.4.1	Shared Memory	49
5.4.2	Wake-Up from Host	50
5.4.3	Host Power-on Indication	50
5.5	HOST ACCESS TO PC87570 RESIDENT I/O DEVICES	50
5.5.1	Host Access to Configuration Registers	50
5.5.2	Host Access to Resident I/O Devices	50
5.5.3	Host Bus I/O Cycles	50
5.6	KBC CHANNEL	50
5.6.1	Status Register	50
5.6.2	DBBOUT Register	51
5.6.3	DBBIN Register	51

5.7	PM CHANNEL	52
5.8	RTC/APC CHANNEL	52
5.9	CR16A INTERRUPTS	52
5.10	HOST INTERRUPTS	52
5.10.1	IRQ1, IRQ12 and IRQ11 and IRQ8 Buffers	53
5.11	SYSTEM CONSIDERATIONS	53
5.11.1	Reset Configuration	53
5.11.2	Host Power-On (HPWRON) Indication Input	53
5.11.3	Host Master Reset (HMR) Input	53
5.11.4	Host Reset Output (HRSTO) from PC87570	53
5.11.5	FDEN Strap	54
5.11.6	GA20 Pin Functionality	54
5.11.7	Host Driven Wake-Up	54
5.11.8	APC-ON and APC-OFF Events	54
5.12	HBI REGISTERS ACCESSED BY CR16A	54
5.12.1	Control and Status Register 1 (CST1)	55
5.12.2	Control and Status Register 2 (CST2)	55
5.12.3	RTC Core Address Register (RTCCA)	55
5.12.4	RTC Core Data Register (RTCCD)	56
5.12.5	Host PnP Initial Configuration Base Address Low and High Registers (HCFGBAL/H)	56
5.12.6	Host Interface Control Register (HICTRL)	56
5.12.7	Host Interface IRQ Control Register (HIIRQC)	56
5.12.8	Host Interface KBC Status Register (HIKMST)	57
5.12.9	Host Interface Keyboard Data Out Buffer Register (HIKDO)	57
5.12.10	Host Interface Mouse Data Out Buffer Register (HIMDO)	58
5.12.11	Host Interface KBC Data In Buffer Register (HIKMDI)	58
5.12.12	Host Interface PM Port Status Register (HIPMST)	58
5.12.13	Host Interface PM Data Out Buffer Register (HIPMDO)	58
5.12.14	Host Interface PM Data In Buffer Register (HIPMDI)	58
5.13	HOST CHANNEL CONFIGURATION	58
5.13.1	Chip Base Address Initial Setting	58
5.13.2	Operation Guidelines	60
5.14	HBI REGISTERS ACCESSED BY HOST	61
5.14.1	Identification Register (SID)	61
5.14.2	Identification Type Register (SIDT)	61
5.14.3	Identification Revision Register (SIDR)	61
5.14.4	Base Address High Register (SBAH)	61
5.14.5	Base Address Low Register (SBAL)	61
5.14.6	RTC Chip Select Address High Register (RTCCSAH)	61
5.14.7	RTC Chip Select Address Low Register (RTCCSAL)	61
5.14.8	KBC Chip Select Address High Register (KBCCSAH)	62
5.14.9	KBC Chip Select Address Low Register (KBCCSAL)	62
5.14.10	PM Chip Select Address High Register (PMCSAH)	62
5.14.11	PM Chip Select Address Low Register (PMCSAL)	62
5.14.12	Function Enable Register (FER)	62
5.14.13	Function Lock Register (FLR)	63

5.14.14	IRQ Enable Register (IRQE)	63
6.0	Real-Time Clock (RTC) and Advanced Power Control (APC)	
6.1	FEATURES	64
6.2	RTC FUNCTIONAL DESCRIPTION	64
6.2.1	Host Bus Interface	64
6.2.2	Core Bus Interface	64
6.2.3	Bank Description	64
6.2.4	Bank Accessing	64
6.2.5	RTC Clock Generation	64
6.2.6	Internal Oscillator	65
6.2.7	External Oscillator	65
6.2.8	Timing Generation	65
6.2.9	Timekeeping	66
6.2.10	Updating	66
6.2.11	Alarms	67
6.2.12	Power Supply	67
6.2.13	System Bus Lockout	68
6.2.14	Power-Up Detection	68
6.2.15	Oscillator Activity	68
6.2.16	Interrupt Handling	68
6.2.17	Battery-Backed Register Banks and RAM	68
6.3	RTC REGISTERS	69
6.3.1	RTC Control Register A (CRA)	69
6.3.2	RTC Control Register B (CRB)	70
6.3.3	RTC Control Register C (CRC)	70
6.3.4	RTC Control Register D (CRD)	71
6.4	USAGE HINTS	71
6.5	APC FUNCTIONAL DESCRIPTION	71
6.5.1	Operation	71
6.5.2	User Selectable Parameters	71
6.5.3	System Power States	71
6.5.4	System Power Switching Logic	72
6.5.5	APC-ON/APC-OFF Interrupt Signals	72
6.5.6	Entering Power States	72
6.5.7	Predetermined Wake-Up	72
6.5.8	Ring Signal Event	72
6.6	APC REGISTERS	72
6.6.1	APC Control Register 1 (APCR1)	73
6.6.2	APC Control Register 2 (APCR2)	73
6.6.3	APC Status Register (APSR)	73
6.6.4	RAM Lock Register (RLR)	73
6.7	REGISTER BANKS	74
7.0	High Frequency Clock Generator (HFCG)	
7.1	FEATURES	76

7.2	FUNCTIONAL DESCRIPTION	76
7.2.1	Setting Clock Frequency	76
7.2.2	Fast Clock Setting	77
7.3	HFCG REGISTERS	77
7.3.1	HFCG Control Register (HFCGCTRL)	77
7.3.2	HFCGM Low Value Register (HFCGML)	77
7.3.3	HFCGM High Value Register (HFCGMH)	77
7.3.4	HFCGN Value Register (HFCGN)	77
7.3.5	HFCGI Low Value Register (HFCGIL)	78
7.3.6	HFCGI High Value Register (HFCGIH)	78
8.0	Power Mode Control (PMC)	
8.1	FEATURES	79
8.2	THE POWER MODES	79
8.3	SWITCHING BETWEEN POWER MODES	79
8.3.1	Decreasing Power Consumption	79
8.3.2	Increasing Performance	79
8.4	POWER MODE CONTROL REGISTER (PMCR)	80
8.5	USAGE HINTS	80
9.0	Interrupt Control Unit (ICU)	
9.1	FEATURES	81
9.2	FUNCTIONAL DESCRIPTION	81
9.2.1	NMI	81
9.2.2	Maskable Interrupts	81
9.2.3	Edge/Level and Polarity Selection	81
9.2.4	Pending Interrupts	81
9.2.5	External Interrupt Inputs	81
9.2.6	Interrupt Assignment	81
9.3	ICU REGISTERS	82
9.3.1	NMI Status Register (NMISTAT)	82
9.3.2	Power Fail Control Register (PFAIL)	82
9.3.3	Interrupt Vector Register (IVCT)	83
9.3.4	Interrupt Enable and Mask Register (IENAM)	83
9.3.5	Interrupt Pending Register (IPEND)	83
9.3.6	Edge Interrupt Clear Register (IECLR)	83
9.3.7	Edge/Level Trigger Configuration Register (IELTG)	83
9.3.8	Trigger Polarity Configuration Register (ITRPL)	83
9.4	USAGE HINTS	83
9.4.1	Initializing	83
9.4.2	Clearing	83
9.4.3	Nesting	83
10.0	Multi-Input Wake-Up (MIWU)	
10.1	FEATURES	84

10.2	FUNCTIONAL DESCRIPTION	84
10.2.1	Trigger Conditions	86
10.2.2	Pending Flags	86
10.2.3	Input Enable	86
10.2.4	Interrupts	86
10.2.5	Input Assignments	86
10.3	MIWU REGISTERS	86
10.3.1	Edge Detection Register 1(WKEDG1)	86
10.3.2	Edge Detection Register 2 (WKEDG2)	86
10.3.3	Edge Detection Register 3 (WKEDG3)	86
10.3.4	Pending Register 1 (WKPND1)	86
10.3.5	Pending Register 2 (WKPND2)	86
10.3.6	Pending Register 3 (WKPND3)	87
10.3.7	Wake-Up Enable Register 1 (WKEN1)	87
10.3.8	Wake-Up Enable Register 2 (WKEN2)	87
10.3.9	Wake-Up Enable Register 3 (WKEN3)	87
10.3.10	Pending Clear Register 1 (WKPCL1)	87
10.3.11	Pending Clear Register 2 (WKPCL2)	87
10.3.12	Pending Clear Register 3 (WKPCL3)	87
10.4	USAGE HINTS	87
11.0	General Purpose I/O (GPIO) Ports	
11.1	FEATURES	88
11.2	FUNCTIONAL DESCRIPTION	88
11.2.1	Output Buffer	88
11.2.2	Input Buffer	88
11.2.3	Open Drain	88
11.2.4	Weak Pull-Up	88
11.3	GPIO PORT REGISTERS	89
11.3.1	Port Alternate Function Register (PxALT)	89
11.3.2	Port Direction Register (PxDIR)	89
11.3.3	Port Data Out Register (PxDOOUT)	89
11.3.4	Port Data In Register (PxDIR)	89
11.3.5	Port Weak Pull-up Register (PxWPU)	89
12.0	PS/2 Interface	
12.1	FEATURES	90
12.2	FUNCTIONAL DESCRIPTION	90
12.2.1	Configuration	90
12.2.2	Shift Mechanism	90
12.2.3	Quasi-Bidirectional Drivers	90
12.2.4	Interrupt Signals	91
12.2.5	Power Modes	91
12.3	SHIFT MECHANISM ENABLED	91
12.3.1	Reset	91
12.3.2	Enable	91

12.3.3	General PS/2 Interface Operation	91
12.3.4	Transmit Mode	93
12.4	SHIFT MECHANISM DISABLED	94
12.4.1	Clock Signal Control	94
12.4.2	Data Signal Control	94
12.4.3	Interrupt Generation	94
12.5	PS/2 INTERFACE REGISTERS	95
12.5.1	PS/2 Data Register (PSDAT)	95
12.5.2	PS/2 Status Register (PSTAT)	95
12.5.3	PS/2 Control Register (PSCON)	95
12.5.4	PS/2 Output Signal Register (PSOSIG)	96
12.5.5	PS/2 Input Signal Register (PSISIG)	96
12.5.6	PS/2 Interrupt Enable Register (PSIEN)	96
13.0	ACCESS.bus (ACB) Interface	
13.1	FEATURES	98
13.2	ACB PROTOCOL OVERVIEW	98
13.2.1	ACB Interface	98
13.2.2	Data Transactions	98
13.2.3	Start and Stop	98
13.2.4	Acknowledge Cycle	98
13.2.5	“Acknowledge after every byte” Rule	99
13.2.6	Addressing Transfer Formats	100
13.2.7	Arbitration on the Bus	100
13.3	FUNCTIONAL DESCRIPTION	100
13.3.1	Master Mode	100
13.3.2	Slave Mode	101
13.3.3	Power-Down	102
13.3.4	SDA and SCL Pin Configuration	102
13.3.5	ACB Clock Frequency Configuration	102
13.4	ACB REGISTERS	102
13.4.1	ACB Serial Data Register (ACBSDA)	102
13.4.2	ACB Status Register (ACBST)	102
13.4.3	ACB Control Status Register (ACBCST)	103
13.4.4	ACB Control Register 1 (ACBCTL)	104
13.4.5	ACB Own Address Register (ACBADDR)	104
13.4.6	ACB Control Register 2 (ACBCTL2)	104
13.5	USAGE HINTS	105
14.0	Multi-Function 16-Bit Timer (MFT16)	
14.1	FEATURES	106
14.2	FUNCTIONAL DESCRIPTION	106
14.3	CLOCK SOURCE UNIT	107
14.3.1	Prescaler	107
14.3.2	External Event Clock	107
14.3.3	Pulse Accumulate Mode	107

14.3.4	Slow Speed Clock	107
14.3.5	Counter Clock Source Select	108
14.4	TIMER/COUNTER AND ACTION UNIT	108
14.4.1	Operation Modes	108
14.4.2	Timer Interrupts	113
14.4.3	Timer I/O Functions	113
14.5	MFT16 REGISTERS	114
14.5.1	Clock Prescaler Register (TPRSC)	114
14.5.2	Clock Unit Control Register (TCKC)	114
14.5.3	Timer/Counter Register 1 (TCNT1)	114
14.5.4	Timer/Counter Register 2 (TCNT2)	114
14.5.5	Reload/Capture Register A(TCRA)	114
14.5.6	Reload/Capture Register B (TCRB)	114
14.5.7	Timer Mode Control Register (TCTRL)	114
14.5.8	Timer Interrupt Control Register (TICTL)	115
14.5.9	Timer Interrupt Clear Register (TICLR)	115
15.0	Timer and WATCHDOG (TWD)	
15.1	FEATURES	116
15.2	FUNCTIONAL DESCRIPTION	116
15.2.1	Input Clock	116
15.2.2	Pre-Scale	116
15.2.3	TWD Timer 0	116
15.3	WATCHDOG OPERATION	117
15.4	TWD CONTROL AND CONFIGURATION	117
15.5	OPERATION IN IDLE MODE	117
15.6	TWD REGISTERS	117
15.6.1	Timer and WATCHDOG Configuration Registers (TWCFG)	117
15.6.2	Timer and Watchdog Clock Pre-Scaler Register (TWCP)	117
15.6.3	TWD Timer 0 Register (TWDT0)	118
15.6.4	TWDT0 Control and Status Register (T0CSR)	118
15.6.5	WATCHDOG Count Register (WDCNT)	118
15.6.6	WATCHDOG Service Data Match Register (WSDM)	118
15.7	USAGE HINTS	118
16.0	Analog to Digital Converter (ADC)	
16.1	FEATURES	119
16.2	FUNCTIONAL DESCRIPTION	119
16.2.1	Reset	120
16.2.2	Reference Voltage	120
16.2.3	Input Signal Range	120
16.2.4	ADC Clock	120
16.2.5	Initializing and Enabling the ADC	120
16.2.6	ADC Operation	121
16.2.7	Disabling the ADC to Save Power	121

16.2.8	Sampling Time	121
16.2.9	Polling Driven Operation	121
16.2.10	Interrupt Driven Operation	121
16.2.11	Overflow	121
16.3	OPERATION MODES	122
16.4	ADC REGISTERS	123
16.4.1	ADC Status Register (ADCST)	123
16.4.2	ADC Control Register 1 (ADCCNT1)	123
16.4.3	ADC Control Register 2 (ADCCNT2)	123
16.4.4	ADC Control Register 3 (ADCCNT3)	124
16.4.5	ADC Data Registers	125
16.5	USAGE HINTS	125
16.5.1	Power Supply and Layout Guidelines	125
16.5.2	Power Consumption	125
16.5.3	Filtering the Noise on Input Signals	126
16.5.4	AD0-7 Multiplexing with PD0-7 Port	126
16.5.5	Calculating the Sampling Time	126
17.0	Digital to Analog Converter (DAC)	
17.1	FEATURES	127
17.2	FUNCTIONAL DESCRIPTION	127
17.2.1	DAC Reset	127
17.2.2	Reference Voltage	127
17.2.3	Output Signal Range	127
17.2.4	Initializing and Enabling the DAC	128
17.2.5	Disabling the DAC	128
17.2.6	Conversion Start	128
17.3	DAC REGISTERS	128
17.3.1	DAC Control Register (DACCTRL)	128
17.3.2	DAC Data Registers	128
17.4	USAGE HINTS	128
17.4.1	Power Supply and Layout Guidelines	128
17.4.2	Output Settling Time	129
17.4.3	Output Voltage Accuracy	129
17.4.4	Filtering Noise on Output Signals	129
17.4.5	Current Consumption	129
17.4.6	Entering Idle Mode	129
18.0	Development System Support	
18.1	ISE INTERRUPT	130
18.2	TRIS STRAP INPUT PIN	130
18.3	FREEZING EVENTS	130
18.3.1	Disabling Maskable Interrupts	130
18.3.2	Freezing the WATCHDOG Counter	130
18.3.3	Disabling Additional Modules	130
18.3.4	Disabling Destructive Reads	130

18.4	MONITORING ACTIVITY DURING DEVELOPMENT	130
18.4.1	The Bus Status Signals	130
18.4.2	Transaction Effects on the External Bus	130
18.4.3	Pipe Status Signals	131
18.5	DEVELOPMENT SYSTEM REGISTERS	131
18.5.1	Debug Configuration Register (DBGCFG)	131
18.5.2	Debug Freeze Enable Register (DBGFRZEN)	131
19.0	Device Specifications	
19.1	POWER AND GROUNDING	132
19.2	GENERAL DC ELECTRICAL CHARACTERISTICS	132
19.2.1	Recommended Operating Conditions	132
19.2.2	Absolute Maximum Ratings	133
19.2.3	Power Supply Current under Recommended Operating Conditions	133
19.3	DC ELECTRICAL CHARACTERISTICS	134
19.3.1	Analog	134
19.3.2	Digital	135
19.4	AC ELECTRICAL CHARACTERISTICS	137
19.4.1	Definitions	137
19.4.2	Timing Tables	138
19.5	TIMING DIAGRAMS	144
19.5.1	General	144
19.5.2	BIU	146
19.5.3	GPIO Ports	149
19.5.4	Host Interface	150
19.5.5	MFT16	151
19.5.6	ACCESS Bus Interface	152
19.5.7	Dev Environment Support	153
19.5.8	Interrupts and Wake-up	153
19.5.9	Reset	154
19.5.10	Host Power-on	154
19.5.11	PS/2 Interface	155
A.	CR16A Register Map	
B.	Bootloader Description	
B.1	OVERVIEW	164
B.2	CONFIGURATION BLOCKS	164
B.2.1	System Configuration Block	164
B.2.2	KBC Header	164
B.3	SYSTEM RESOURCES USED BY BOOTLOADER	164
B.3.1	GPIO Pins	164
B.3.2	On-Chip RAM	165
B.4	BOOTLOADER PROGRAM OPERATION	165

1.0 Introduction

1.1 INTERNAL ARCHITECTURE

The following descriptions are based on the block diagram in Highlights on page 1.

1.1.1 Processing Unit

The CompactRISC CR16A core is an advanced, general-purpose, 16-bit microprocessor core with a RISC architecture. The core is responsible for arithmetic and logic operations and program control. For more details about the core structure and instruction set, see *CR16A Core Architecture Specification, Revision 1.1, January 1996*.

1.1.2 BIU

The BIU controls access to:

- on-chip Base Memory (boot-code, ZONE1, mask-ROM)
- off-chip devices:
 - Base Memory (boot-code, ZONE1, Flash or ROM)
 - External Memory (application code, ZONE0, Flash or SRAM)
 - I/O Expansion

Each of these memories is associated with a ZONE in the BIU. The zone configuration registers control access to devices connected to it. See Section 3.2 on page 34 for more details on BIU.

1.1.3 Memory

ROM The on-chip ROM holds the CR16A boot program which is run by the PC87570 upon reset (internal power-up reset, or pulse on HMR pin). The 2048 byte on-chip ROM is used for boot and External Memory update programs.

The boot program verifies that the External Memory exists and holds a valid code; then, it jumps to execute this code. If the External Memory does not hold a valid code (for example, the Flash is wrongly programmed), the boot program enables the host to download the code via the host interface channel, and re-program the Flash.

The External Memory holds most of the PC87570 application programs and constant data. The external memory can be any kind of memory device since the PC87570 can directly interface with Flash, ROM or SRAM devices. This allows upgrading of the PC87570 firmware (keyboard controller code) in the field.

RAM The 1024 byte on-chip RAM is mostly used for the storage of program variables and stack. It can store short programs used upon returning from Idle mode to Active mode, and is preserved as long as VCC power is applied to the PC87570. The PC87570 hardware arbitrates Flash usage by the CR16A firmware and the host processor BIOS program, when the "shared-memory" configuration is used. To reduce resource contention when this shared BIOS Flash scheme is used, the host processor should copy the Flash contents to the host's main memory (DRAM) upon system boot. Flash sharing is based on "cycle stealing" so both the host processor and the CR16A can execute in parallel code from the same memory device.

1.1.4 HBI

The Host Bus Interface (HBI) bridges and arbitrates between host and CR16A accesses to shared resources. The HBI allows the host and CR16A to share Flash memory. See Section 5.2 on page 49 for more details on the shared memory system.

The HBI enables host access to the KBD/MOUSE and the PM interface ports, and to the RTC/APC. It also enables the CR16A to access the RTC/APC and its CMOS RAM.

The host interface uses an ISA compatible bus protocol. The PC87570 decodes the 16 ISA address lines to identify the on-chip I/O device address as defined in the host configuration. Shared BIOS memory accesses to the device are indicated by a memory chip select input from the host (HMEMCS signal), and three additional address lines (A16, A17 and A18).

The Host Interface Configuration allows the host processor to configure the interface to the PC87570 I/O devices (KBD, PM and RTC/APC host interface channels). The Host Interface Configuration includes a motherboard Plug-and-Play protocol that allows settings, such as the address of each device, to be enabled and disabled. It also includes a locking scheme to allow the BIOS program to protect the configuration from tampering.

The Host Interface has three channels as follows:

- Keyboard and Mouse (host addresses 60h, 64h).
- Power Management (host address 62h, 66h)
- RTC/APC (host address 70h, 71h).

The Host Interface supports the four legacy (ISA) interrupts. The PC87570 can generate interrupt requests to the host processor via IRQ1, IRQ12, IRQ11 and IRQ8 for the Keyboard, Mouse, PM and RTC/APC handlers, respectively. This allows the PC87570 to be used with polling or interrupt driven schemes.

The PC87570 communicates with a host processor over an ISA compatible, host interface bus. The KBD, PM and the RTC/APC are interfaced as I/O devices over the I/O address space of the host.

In addition, the PC87570 generates the gate A20 control signal (GA20 pin) and a soft reset signal (HRSTO pin) to the host. Optionally, this HRSTO reset signal can be used to prevent the host from accessing the shared Flash when the PC87570 cannot perform the shared memory access during the PC87570's boot-up time.

1.1.5 Peripherals

The RTC/APC has a low-power clock that provides time-of-day, a calendar with century counter and alarm features. It can work from either VCC or a backup battery using an internal switch. Other features include three maskable interrupt sources and 242 bytes of general-purpose RAM. An external battery source maintains valid RAM and time during VCC failure. The RTC is software compatible with the DS1287 and MC146818.

The APC hardware, with APM 1.2 compatible power control, features such as alarm wake-up, ring detection and host control off commands. The APC controls the PC power supply via the CR16A firmware. This allows maximum flexibility in designing an ACPI system based on the PC87570.

The HFCG (High Frequency Clock Generator) provides clocks for the various on-chip modules. These clocks are generated directly from a 32.768 KHz crystal or from the on-chip HFCG. The HFCG generates the high-frequency clock using the RTC's 32.768 KHz clock signal as a reference. The PC87570 operation frequency is set by programming the HFCG registers. The PMC enables and disables high frequency clock generation, according to the required power mode.

The PMC (Power Mode Control) reduces the PC87570's power consumption to the required activity level. Power consumption is adjusted by controlling the clock frequency and selective enabling/disabling of three power modes: Active, Idle and Power Off. Activity can be resumed by a periodic wake-up or via external events.

The ICU (Interrupt Control Unit) is a sixteen-channel module that interfaces between the interrupt requests (from different on-chip modules and external sources), and the CR16A core. Both maskable and non-maskable interrupts are generated.

For maskable interrupts, the ICU controls the masking of the various sources and prioritizes the different requests. It generates an interrupt to the core and indicates which of the sources requested service. For non-maskable interrupts, it combines the various sources into one and indicates which is the requested service.

MIWU The Multi-Input Wake-Up module allows the device to return from Idle mode. The CR16A can enable or disable the various wake-up conditions. The PC87570 has a total of 23 wake-up signals, some of which are grouped to generate a single interrupt signal.

GPIO Ports consist of up to 76 GPIO signals that provide interface and control for the PC system. Some of these I/O port signals share their pins with an alternate function (see Table 2-5 on page 27), and may be mutually exclusive. Some of these signals, when configured as inputs, can interrupt the CR16A when an event is detected even if the device is in Idle Mode. An example is the SWIN input, which is dedicated for the PC's On/Off switch.

One of the I/O pin can be used as an SMI output to the host processor. The SMI is generated based on various events identified by the CR16A. This includes an OFF command indication from the APC.

Internal keyboard scanning is supported by 16 open-drain output port signals, and 8 input port signals with Schmidt trigger input buffer and internal pull-up resistors. For power efficiency, the inputs include an interrupt and a wake-up capability, so that pressing/releasing keys may be identified without scanning the keyboard matrix in either Active or Idle modes. The keyboard interrupt is controlled by the MIWU.

The PS/2 Interface, is an industry-standard, with PS/2-compatible keyboard support, is implemented through a two-wire, bidirectional TTL interface. Several vendors also supply PS/2 mouse products and other pointing devices with the same type of interface.

The PC87570 supports three PS/2 channels. Each channel has two quasi-bidirectional signals which may be interfaced directly to an external keyboard, mouse or any other PS/2 compatible pointing device. Since the three channels are identical, the connector ports are interchangeable.

The PC87570 includes a hardware accelerator that allows the PS/2 channels to be controlled with minimal software overhead. It also eliminates the sensitivity to interrupt latency that characterized traditional solutions.

The ACB Interface is a two-wire serial interface compatible with the ACCESS.bus physical layer. It is also compatible with Intel's SMBus and Philips' I²C. This module can serve as a bus master or slave, and performs both transmit or receive operations.

The MFT16 contains two 16-bit timers with a range of operation modes. These timers can operate from several clock sources in PWM, Capture or Counter mode to satisfy a wide range of application requirements.

The TWD has a 16-bit periodic interrupt timer that can be programmed to generate interrupts at pre-defined intervals. An 8-bit WATCHDOG timer can reset the PC87570 whenever the software loses control of the processor.

The ADC contains eight analog input channels. Each ADC channel has a 10 μ sec minimum conversion period. Either an internal or external voltage source may be used as a reference for the A/D conversion.

The DAC has four channels of voltage output. Each of the four DAC channels has an 8-bit resolution with a full output range from AGND to AV_{CC}. Conversion time is about 1 μ sec on a 50 pF load.

1.2 EXPANSION OPTIONS

The PC87570 system can be expanded cost effectively, as follows:

- I/O Expansion permits adding I/O port pins, in addition to those available on-chip, using low-cost standard 74HC devices.
- The External Memory may be configured to 8-bit width to interface with 8-bit Flash/SRAM devices, or it may be configured to 16-bit width when additional performance is required.
- The PC87570 may be configured to interface with 32 Kbyte or 56 Kbyte of External Memory (application).

1.3 OPERATING ENVIRONMENTS

Upon power-up reset, the ENV1-0 pins select one the following operating environments:

- Internal ROM Enabled (IRE)
- Internal ROM Disabled (IRD)
- Development (DEV)

See Section 2.4 on page 26 for more information about these pins and controlling the loads connected to them.

Code written for IRE environment is executable in all environments, since it is binary compatible. The execution time of code in on-chip Base Memory (the IRE environment) is identical to that in off-chip Base Memory (IRD and DEV environments); i.e., the operation is cycle-by-cycle compatible.

PC87570 devices are tested to ensure that they operate in either IRE or IRD environment. Only selected parts are tested for operation in DEV environment.

1.3.1 IRE Environment

In this environment, after reset, (internal power-on reset circuit or an external pulse on HMR pin), the PC87570 starts running the code written in the internal mask-ROM. This ROM contains the PC87570's boot program which is read-only. The boot-code size can be up to 2 Kbytes. After completion of the boot program, the process is handed over to the External Memory. In the External Memory resides the user-defined application.

The boot program performs several basic task needed to start the system in a safe and ordered way. It checks if the External Memory holds valid code. In case the code is invalid, it allows the host processor to re-program the Flash device. See also Section B.1 on page 164.

To maximize on-chip ROM performance, configure the BIU as described in Section 3.6 on page 46.

The majority of applications use the PC87570 in IRE environment, which provides up to 10 on-chip I/O ports with a total of 76 GPIO signals. The ports are: PA6-0, PB7-0, PC7-0, PD7-0, PE1-0, PF7-0, PG4-0, PH5-0, KBSIN7-0 and KBSOUT15-0.

In addition, the PC87570 provides an interface to External Memory and a variety of system functions, including ADC and DAC, Timers, Interrupts, PM, ACCESS.bus/SMBus, and other features (some features are mutually exclusive).

See Figure 1-1 for a system example in IRE environment. In this environment, the ENV0 and ENV1 strap pins do not need any external pull-up resistors.

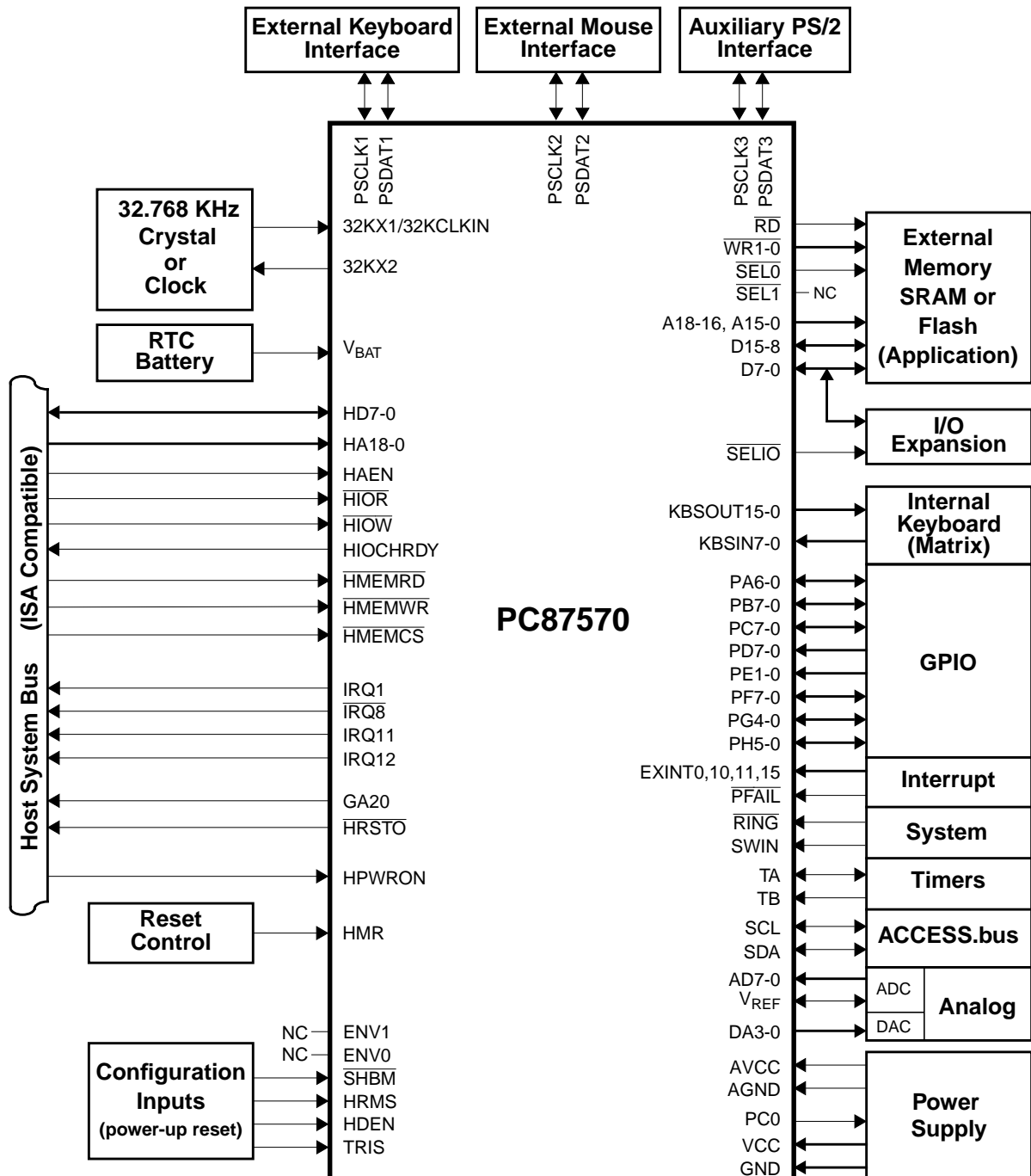


Figure 1-1. IRE Environment

1.3.2 IRD Environment

IRD environment is used mostly for prototypes and low-volume manufacturing. In this environment, the on-chip Base Memory (containing the up to 2 KByte boot code), is replaced by up to 64 Kbytes of off-chip memory, called off-chip Base Memory, which may be ROM or Flash memory.

You can control the number of wait states used to access the Base Memory to allow interfacing with devices that have a wide range of access times. Configure this number according to the operation frequency and voltage, and the device access time. Since the time required to access off-chip Base

Memory devices affects the performance of the CR16A core, use the same number of wait states in all environments to maintain cycle-by-cycle compatibility.

In this environment, the pins of ports PF and PG are allocated for the interface to the Base Memory. The system may restore these ports using the I/O Expansion protocol and off-chip logic, while maintaining cycle-by-cycle and binary compatibility with the IRE environment. All features of IRE environment can be implemented either directly or by using additional external logic.

Figure 1-2 illustrates a system in IRD environment.

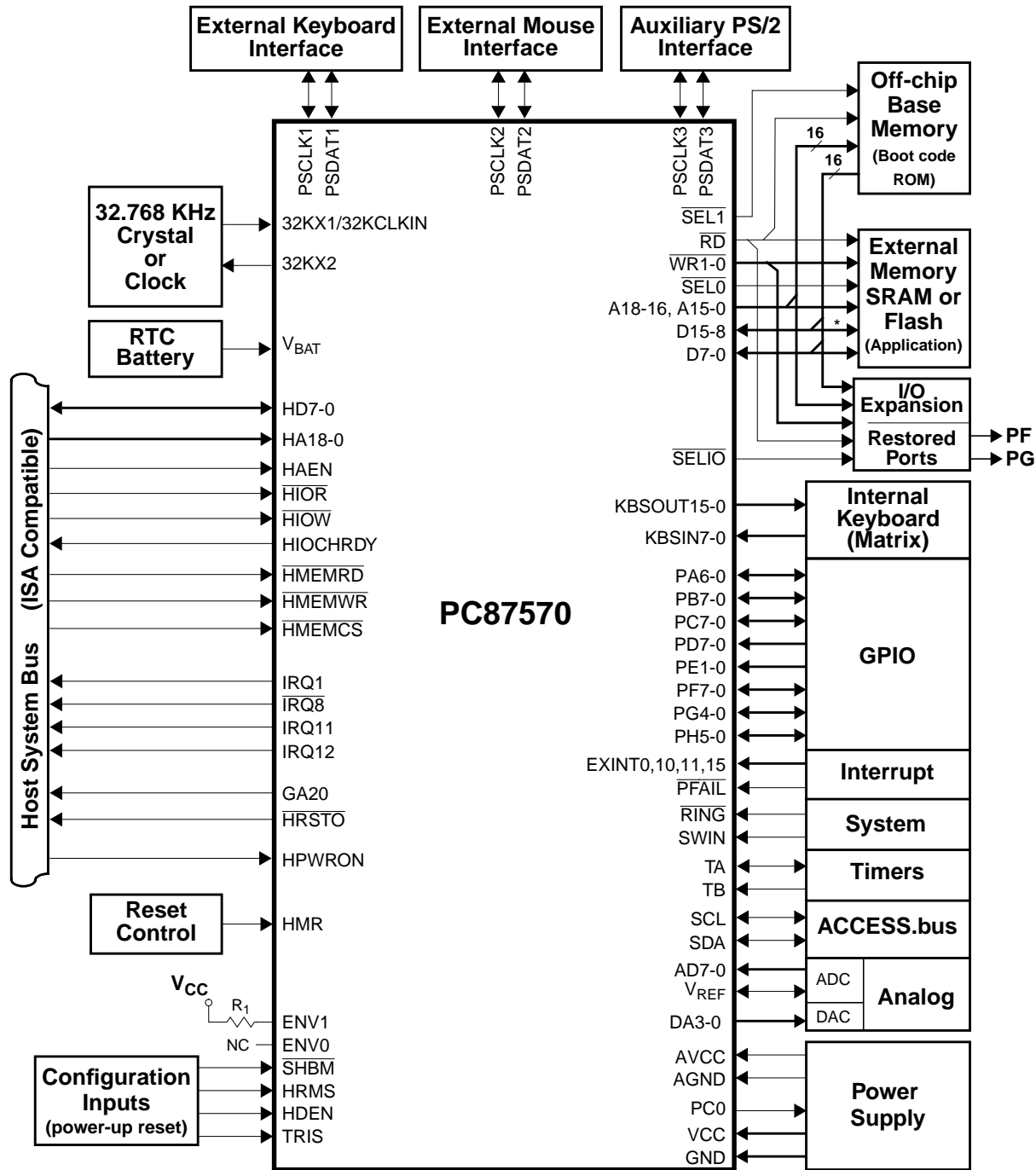


Figure 1-2. IRD Environment

* Optional 8/16 data bus

1.3.3 DEV Environment

DEV environment is most commonly used to develop software on Application Development Boards (ADB) and In-System Emulators (ISEs). In this environment, the development tools can load code and data of up to 64 Kbytes to off-chip RAM. This can replace the Base Memory used in IRE/IRD environment (on-chip/off-chip boot-code). The development tool can also load code and data of up to 56 Kbytes to off-chip RAM (application).

In this environment, the pins of ports PF, PG and PH are allocated for the interface to the Base Memory, for ISE interrupt and for CR16A core status indication. The system may re-gain these ports using the I/O Expansion protocol and off-chip logic, while maintaining cycle-by-cycle and binary compatibility with the IRE environment. Using the same software, this environment is binary and cycle-by-cycle compatible with IRD and IRE environments. All features of IRE environment can be implemented either directly or by using additional external logic. Figure 1-3 shows a system in DEV environment.

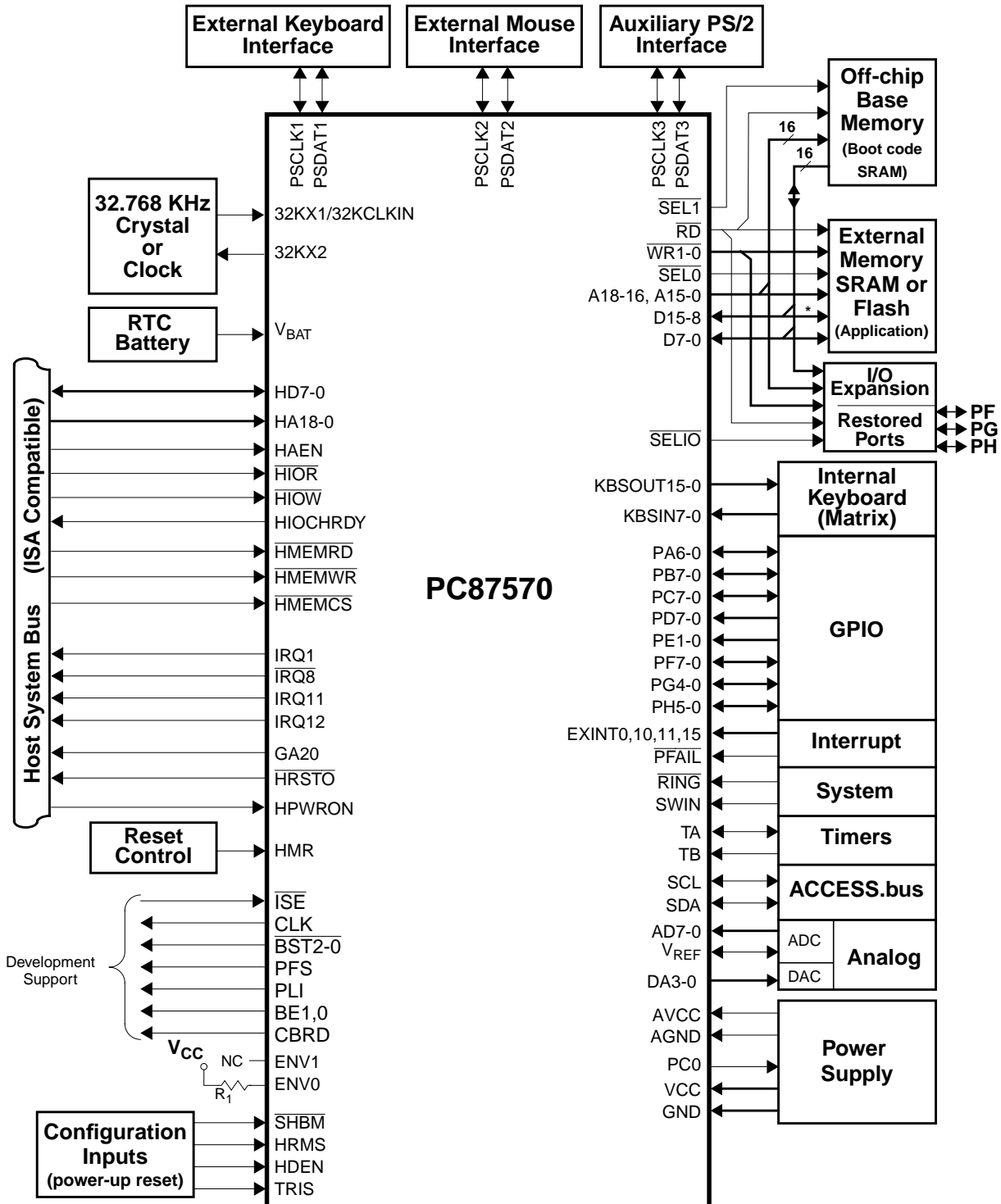
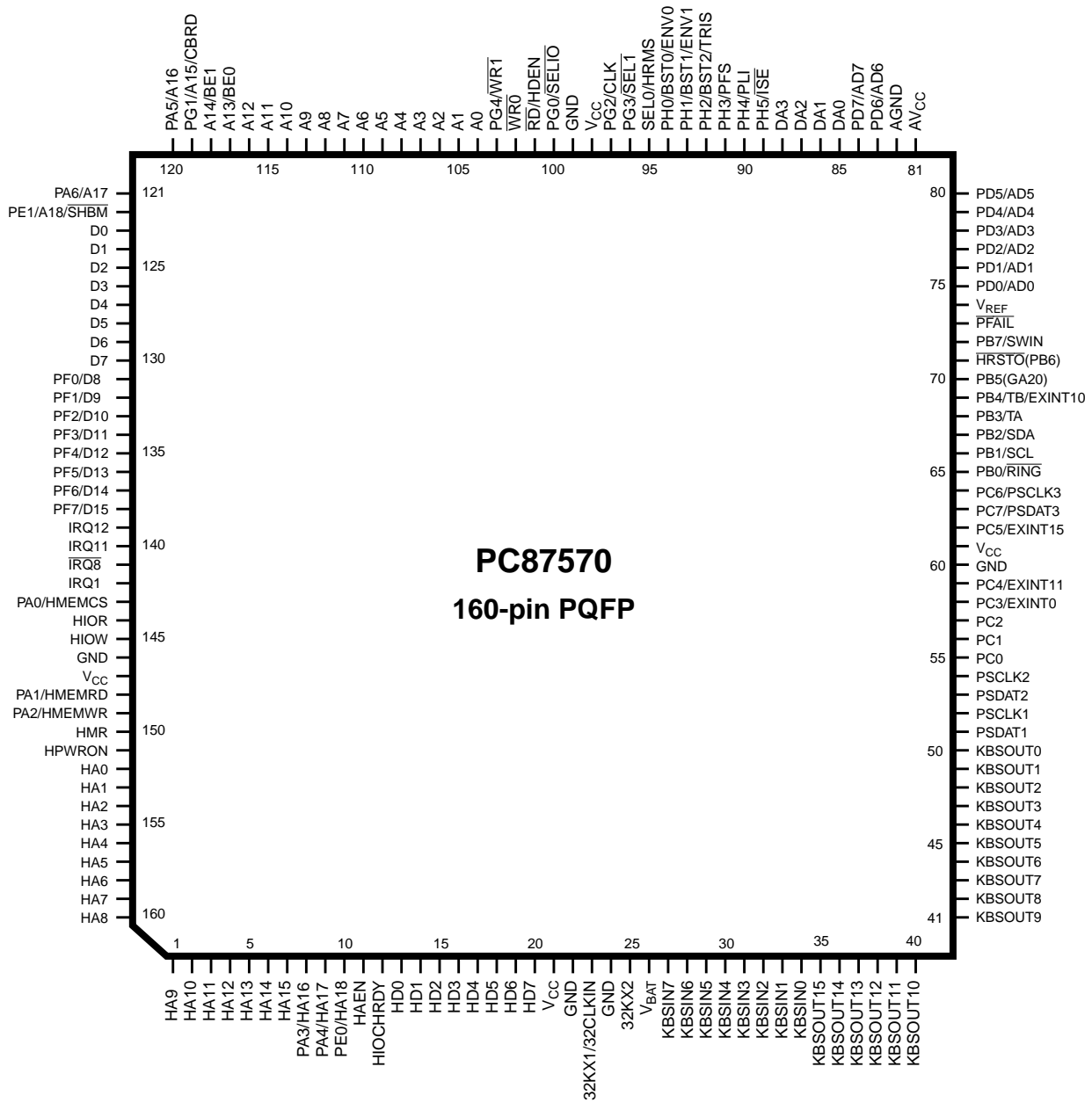


Figure 1-3. DEV Environment

* Optional 8/16 data bus

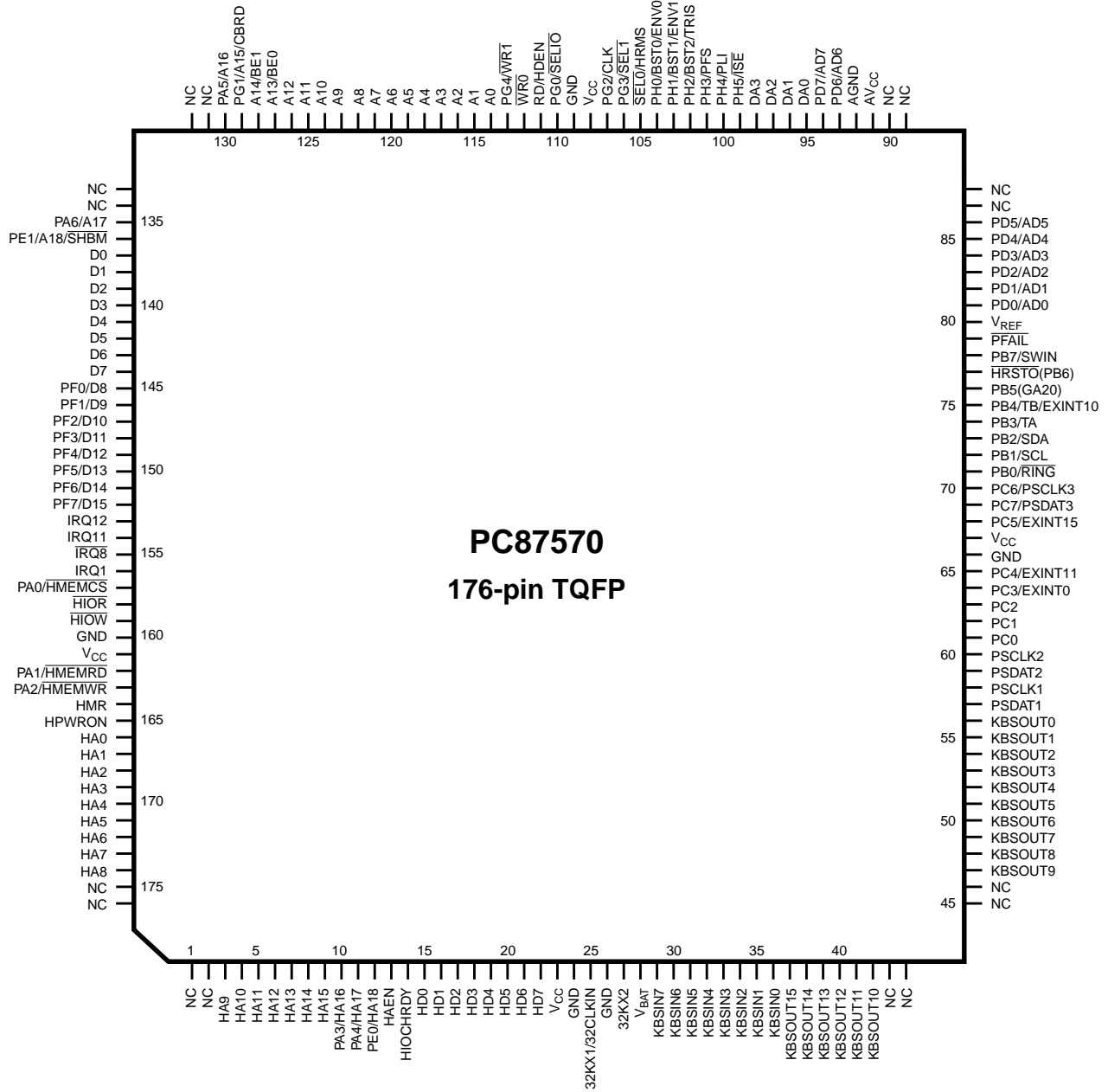
2.0 Signal/Pin Connection and Description

2.1 CONNECTION DIAGRAMS



PC87570
160-pin PQFP

160-pin PQFP Package
Order Number PC87570-ICC/VUL
NS Package Number VUL160



176-pin Thin Quad Flatpack (TQFP)
Order Number PC87570-ICC/VPC
NS Package Number VPC176

2.2 SIGNAL/PIN DESCRIPTIONS

Refer to Table 2-2 for an alphabetical listing of all PC87570 signals and pins, as well as brief descriptions. The following abbreviations are used in the Type column in this table.

Table 2-1. Type Symbols

Symbol	Description	DC Characteristics
TTL	Input, TTL compatible	See Table 19-7 on page 135.
CMOSS	Input, CMOS with Schmidt Trigger	See Table 19-7 on page 135.
STRAP	Input with Schmidt characteristics and an internal pull-down resistor, typically used for strap signals	See Table 19-7 on page 135.
CM	Output, CMOS buffer	See Table 19-7 on page 135.
CMHD1	Output, CMOS buffer with high drive type 1	See Table 19-7 on page 135.
CMHD2	Output, CMOS buffer with high drive type 2	See Table 19-7 on page 135.
OD	Output, Open-Drain	See Table 19-7 on page 135.
OD2	Output, Open-Drain with high drive type 2	See Table 19-7 on page 135.
PU	Weak pull-up capability (on input or output pin)	See Table 19-7 on page 135.
OSCIN	Oscillator input [not characterized]	
OSCOUT	Oscillator output [not characterized]	
ANIN	Analog input signal	See Table 19-5 on page 134.
ANOUT	Analog output signal	See Table 19-6 on page 134.

Table 2-2. PC87570 Signals

Signal	Pin Number		Buffer Type		Function
	160-pin	176-pin	Input	Output	
32KCLKIN	23	25	TTL	-	32.768 KHz Oscillator Clock Input..
32KX1	23	25	OSCIN		32.768 KHz Crystal Interface, input to oscillator.
32KX2	25	27	-	OSCOUT	32.768 KHz Crystal Oscillator Interface output to crystal. See Figure 6-1 on page 65.
A18-0	122-104	136, 135, 130-114	-	CM	Address A18 through A0. CR16A address to external memory. A16-A17 should not be pulled up during power-up since include special test features.
AD7-0	84, 83, 80-75	95, 94, 86-81	ANIN	-	Analog Inputs of the A/D converter
AGND	82	92	N/A	N/A	Analog Ground, for ADC and DAC.
AV _{CC}	81	91	N/A	N/A	Analog 5V or 3.3V power supply.
BE1,0	118, 117	128, 127	-	CM	Byte Enable bits 1 and 0 on monitor bus cycles.
BST2-0	92-94	102-104	-	CM	Bus Status bits 2-0 on monitor bus cycles. When in DEV environment, these pins allows monitoring of the external bus cycles. When BCFG.OBR is also set, the internal bus cycles are also visible outside. See also Table 2-5 on page 27.
CBRD	119	129	-	CM	Core Bus Read Status on monitor bus cycles. Available in all modes. See Table 2-5 on page 27.

Signal	Pin Number		Buffer Type		Function
	160-pin	176-pin	Input	Output	
CLK	97	107	-	CM	PC87570 internal clock (On-chip Clock Multiplier output). Available in all environments. For IRE environment, set MCFG.CLKOE=1. See Table 2-5 on page 27.
D15-0	138-123	152-137	TTL	CM	CR16A Memory Data bus bits 15 through 0.
DA3-0	88-85	98-95	-	ANOUT	Digital to Analog Converter Output.
ENV1,0	93, 94	103, 104	STRAP	-	Environment select strap pins. These pins define if the device environment, IRE, IRD or DEV. They are sampled on power-up reset. See Section 2.4 on page 26.
EXINT0 EXINT10 EXINT11 EXINT15	58 69 59 62	64 75 65 68	TTL	-	External Interrupt Inputs 0, 10, 11, 15. Interrupt signals for general purpose use. These interrupt signals are asynchronous. See Table 9-2 on page 82.
GA20	70	76	-	CM	Gate A20 output. See Section 5.11.6 on page 54.
GND	22, 24, 60, 99, 146	24, 26, 66, 109, 160	N/A	N/A	Ground for both on-chip logic, output drivers and back-up battery circuit. See Figure 19-1 on page 132 for details on connections with AGND. See also Figure 16-4 on page 125 and Figure 17-2 on page 129.
HA18-0	10-1, 160-152	12-3, 174-166	TTL	-	Host Address lines inputs to address registers in the KBC, PM, RTC/APC and the configuration registers. See Section 5.5.2 on page 50 and Section 5.4.3 on page 50. See also "HPWRON" pin description below.
HAEN	11	13	TTL	-	Host Address Enable should be low during HIOR \overline{D} and HIOWR bus transactions, otherwise the bus transaction is ignored. Refer to Section 19.5.4 on page 150.
HD7-0	20-13	22-15	TTL	CMHD2	Host Data. Bi-directional data bus used to interface the PC87570 to the peripheral data bus of the host. Refer to Section 19.5.4 on page 150.
HDEN	101	111	STRAP	-	Host Device Enable, strap pin. When pulled high during power-up reset, configures the Host device (host interface and RTC) to be enabled as default after each reset. When low during power-up reset, the motherboard PnP protocol must be used to enable the host access to these devices after each reset. See Section 2.4.2 on page 26 and Section 5.11.5 on page 54.
HIOCHRDY	12	14	-	OD2	Host I/O Channel Ready. An open drain output that enables extending the host access. This is used for handling the dual ported access to the CMOS RAM and to share memory with the host. See "HRMS" and "HPWRON" pins description below.
HIOR	144	158	TTL	-	Host I/O Read. Active-low input that signals an I/O data read by the host processor.

Signal	Pin Number		Buffer Type		Function
	160-pin	176-pin	Input	Output	
$\overline{\text{HIOW}}$	145	159	TTL	-	Host I/O Write. Active-low input that signals an I/O data write by the host processor.
HMEMCS	143	157	TTL	-	Host BIOS Memory Chip Select. This signal is in use when the shared memory configuration is enabled (SHBM=0). See pin "SHBM" below . See also Table 2-5 on page 27.
$\overline{\text{HMEMRD}}$	148	162	TTL	-	Host Memory Read. Active-low input that signals a memory data read by the host processor. This signal is in use when the shared memory configuration is enabled (SHBM=0). See pin "SHBM" below . See also Table 2-5 on page 27.
$\overline{\text{HMEMWR}}$	149	163	TTL	-	Host Memory Write. Active-low input that signals a memory data write by the host processor. This signal is in use when the shared memory configuration is enabled (SHBM=0). See pin "SHBM" below . See also Table 2-5 on page 27. For AC parameters, refer to Section 19.5.4 on page 150.
HMR	150	164	CMOSS	-	Master Reset. A rising edge that resets the PC87570. See details at Section 2.3.4 on page 26.
HPWRON	151	165	CMOSS	-	Host Power On. Indicates that the host power supply is on, and the host bus interface signals are valid. While HPWRON is low, the host inputs are ignored, and all outputs are either floating or driven low. See Section 5.11.2 on page 53.
HRMS	95	105	STRAP	-	Host Reset Mode Select, strap pin. When pulled high during power-up reset, enables sending reset event to the Host processor when the shared BIOS is accessed while the PC87570 is not in Active mode, or the MCFG.SHOFF or MCFG.SHMEN are 0. When low, the host access is extended until the PC87570 completes its execution.
$\overline{\text{HRSTO}}$	71	77	-	CM	Host Reset Output
IRQ1	142	156	TTL	CMHD2 OD2	Interrupt 1. Active-high output to signal a keyboard interrupt. This bit is set when the KBC port output buffer is full with data to the keyboard driver.
IRQ8	141	155	-	OD2	Interrupt 8. Active-low output that Indicates an RTC interrupt.
IRQ11	140	154	TTL	CMHD2 OD2	Interrupt 11. Active-high output that indicates an output buffer full in the Power Management port of the Host I/F.
IRQ12	139	153	TTL	CMHD2 OD2	Interrupt 12. Active-high output that indicates a mouse interrupt. This bit is set when the KBC port output buffer is full with data for the mouse driver.
$\overline{\text{ISE}}$	89	99	TTL	-	ISE Interrupt. Reserved for use by the development system.

Signal/Pin Connection and Description

SIGNAL/PIN DESCRIPTIONS

Signal	Pin Number		Buffer Type		Function
	160-pin	176-pin	Input	Output	
KBSIN7-0	27-34	29-36	CMOSS-PU	-	Internal Keyboard Input scan lines
KBSOUT15-0	35-50	37-42, 47-56	-	OD	Internal Keyboard Output scan lines
PA6-0	121, 120, 9, 8, 149, 148, 143,	135, 130, 11, 10, 163, 162, 157	TTL-PU	CM-PU	Port A, bits 0 through 6
PB7-0	72-65	78-71	TTL-PU	CM-PU	Port B, bits 0 through 7
PC2-0	57-55	63-61	TTL-PU	CMHD1-PU	Port C, bits 0 through 2 high drive output buffers
PC7-3	64-62, 59, 58	70-68, 65, 64	TTL-PU	CM-PU	Port C, bits 3 through 7
PD7-0	84, 83, 80-75	94, 93, 86-81	TTL	-	Port D, bits 0 through 7, input port only
PE1,0	122, 10	136, 12	TTL-PU	CM-PU	Port E, bits 0 through 1
PF7-0	138-131	152-145	TTL	CM	Port F, bits 0 through 7
PFAIL	73	79	CMOSS	-	Power Fail. Non-maskable interrupt input detected
PFS	91	101	-	CM	Pipe Flow Status signal
PG4-0	103, 96, 97, 119, 100	113, 106, 107, 129, 110	TTL	CM	Port G, bits 0 through 4
PH5-0	89-94	99-104	TTL	CM	Port H, bits 0 through 5
PLI	90	100	-	CM	Pipe Long Instruction signal
PSCLK1 ¹	52	58	TTL-PU	CMHD1-PU ¹	PS/2 Channel 1 Clock signal
PSCLK2 ¹	54	60	TTL-PU	CMHD1-PU ¹	PS/2 Channel 2 Clock signal
PSCLK3 ¹	64	70	TTL-PU	CMHD1-PU ¹	PS/2 Channel 3 Clock signal
PSDAT1 ¹	51	57	TTL-PU	CMHD1-PU ¹	PS/2 Channel 1 Data signal
PSDAT2 ¹	53	59	TTL-PU	CMHD1-PU ¹	PS/2 Channel 2 Data signal
PSDAT3 ¹	63	69	TTL-PU	CMHD1-PU ¹	PS/2 Channel 2 Data signal
RD	101	111	-	CMHD	Read control signal. May be used as Output Enable.
RING	65	71	CMOSS	-	Advanced Power Control Ring detect and wake-up input
SCL	66	72	CMOSS-PU	OD-PU	ACCESS.bus Serial Clock signal
SDA	67	73	CMOSS-PU	OD-PU	ACCESS.bus Serial Data signal
SEL0	95	105	-	CM	Zone Select 0. Chip-select signal for the External Memory.
SEL1	96	106	-	CM	Zone Select 1. Used to select the off-chip Base Memory.
SELIO	100	110	-	CM	I/O Expansion chip-select signal
SHBM	122	136	STRAP	-	Shared host BIOS Memory. Enable when 0
SWIN	72	78	STRAP	-	On switch to the MIWU and ICU
TA	68	74	TTL	CM	Timer pin A

Signal	Pin Number		Buffer Type		Function
	160-pin	176-pin	Input	Output	
TB	69	75	TTL	-	Timer pin B
TRIS	92	102	STRAP	-	TRI-STATE strap option. When high, during power-up reset, causes the PC87570 to float all its output and I/O signals.
V _{BAT}	26	28	IN _{ULR}	-	Battery supply. This is the 2.4 - 5.5V battery voltage for the RTC circuitry.
V _{CC}	21, 61, 98, 147	23, 67, 108, 161	N/A	N/A	Digital 5V or 3.3V power supply
V _{REF}	74	80	ANIN	ANOUT	Reference voltage for the on-chip A/D circuits. With the internal V _{REF} enabled a capacitor is connected between V _{REF} and GND. When the internal V _{REF} is disabled, an External Reference voltage should be connected to this input.
$\overline{WR}1,0$	103, 102	113, 112	-	CM	Write control for bytes 0 and 1

1. This is a quasi-bidirectional output. It has drive low capability. It is pulsing high for a short period; steady state: pull high using a weak pull-up. See also Section 12.2.3 on page 90

2.3 RESET SOURCES AND TYPES

2.3.1 Power-Up Reset

The PC87570 includes an internal power-up reset circuit. This circuit generates the power-up reset signal which

During power-up reset, the PC87570 responds as follows:

- Carries out all the warm reset actions
- Enables the 32K crystal, if it is disabled
- Resets the HFCG Register to its default frequency
- Loads preset values to all register.
- Puts pins with strap options into TRI-STATE, and enables the internal pull-downs on the strap pins
- Samples the values of the strap pins.

2.3.2 Warm Reset

During a warm reset, the PC87570 responds as follows:

- Terminates instructions being executed
- Discards results not yet written to memory
- Traps and eliminates pending interrupts
- Clears the internal latch for the edge-sensitive external interrupt
- Deactivates the external bus control signals $\overline{WR}(0-1)$, $\overline{SEL}(0-1)$, \overline{SELIO} , \overline{RD} and $\overline{BST}(0-2)$
- Puts the address A(0-15) and data D(0-15) buses in TRI-STATE
- Switches to Active mode
- Loads preset values into registers
- Sets the motherboard PnP mechanism to its reset state.

Certain registers, such as the HFCG and Port PC Registers, are affected only by power-up and/or WATCHDOG reset. During warm reset, the strap pins are not sampled and the configuration determined at power-up is unaffected by subsequent warm resets.

2.3.3 WATCHDOG Reset

During a WATCHDOG reset, the PC87570 performs the power-up reset actions with one exception: it does not sample the value of the strap pins. Instead, it maintains the configuration determined by the strap pins at power-up reset.

2.3.4 Triggering Reset

The PC87570 is reset by an internal reset signal generated on the ramp-up of the V_{CC} power supply (cold reset). The chip is also reset on the rising edge of the HMR pin (warm reset).

Power-Up Reset The PC87570 performs a power-up reset when power is applied to it. This reset is completed t_{RST} after the internal clock has stabilized. See Figure 19-25 on page 154.

If the RTC clock was disabled before power-up, external devices should wait at least t_{32KW} (see before accessing the PC87570. If HRMS=0, any access by the host processor is stalled, by de-asserting (0) HIOCHRDY, until after the reset process is completed and the bus request can be performed.

Warm Reset A rising edge of the HMR input initiates a warm reset. The rising edge is identified only when power (V_{CC}) is applied to the PC87570 completed the internal power-up reset cycle. The reset continues for a period of about 16 clock cycles after the HMR rising edge. See details at Figure 19-26 on page 154.

The PC87570 can operate when HMR is still active (high). In this case, the host bus I/F is inactive.

Note: In all PC87570 revisions, before C3, the HMR (formerly HMR) input pin is ignored when HPWRON is 0, disabling reset execution.

WATCHDOG Reset

The PC87570 generates a WATCHDOG reset on request from the TWD (WATCHDOG signal is asserted). The reset period is identical to the power-up reset period.

2.4 STRAP PINS

During power-up reset, the ENV(0-1), TRIS, HRMS, HDEN and SHBM strap input signals are sampled. Internal pull-down resistors set these signals to 0. You can use an external 10 K Ω resistor connected to V_{CC} to set them to 1.

2.4.1 Setting the Environment

ENV0 and ENV1 determine the operating environment. Table 2-3 shows the settings allowed. Pulling both ENV0 and ENV1 to 1 at the same time produces unpredictable results.

Table 2-3. Environment Pin Settings

Environment	ENV0	ENV1
IRE	0	0
IRD	0	1
Dev	1	0

Figures 1-1 on page 16, 1-2 on page 17, and 1-3 on page 18 demonstrate how to use the ENV(0-1) signals to configure the PC87570 for IRE, IRD, and Dev environment, respectively.

2.4.2 Other Strap Pin Settings

Table 2-4 provides brief descriptions of other strap inputs. For details on SHBM, HRMS, HDEN and TRIS, see sections 5.2 on page 49, 5.11.4 on page 53, 5.11.5 on page 54 and 18.2 on page 130, respectively.

Table 2-4. Other Strap Pin Settings

Strap Pin	Internal Pull-Down (0)	External Pull-Up (1)
SHBM	Enables shared memory with host BIOS	Disables shared memory with host BIOS
HRMS	Extends host access until the PC87570 completes its execution	Enables a reset event to be sent to the host when the shared BIOS is accessed while the PC87570 is not in Active mode, or SHOFF or SHMEM bit is cleared in MCFG Register

Strap Pin	Internal Pull-Down (0)	External Pull-Up (1)
HDEN	Disables host interface; must be enabled using the motherboard PnP protocol after each reset	Enables host interface to its default settings (legacy address of KBC, RTC and PMC)
TRIS	Normal operation	Causes PC87570 to float all its output and I/O signals for ISE use

2.4.3 System Load on Strap Pins

The loads connected to the strap pins should prevent the voltage on them from dropping below V_{STRH} when the pins should be high (1), or rising above V_{STRL} when they should be low (0). See Table 19-7 on page 135.

If the load caused by the system on the strap pins exceeds $10\ \mu\text{A}$ when $V_{CC} = 5.0\text{V}$ or $5\ \mu\text{A}$ when $V_{CC} = 3.3\text{V}$, use either an external pull-up resistor or a smaller pull-down resistor to keep the pin at 1 or 0, respectively.

2.4.4 Strap Inputs During Idle Mode

When the PC87570 is in Idle mode and shared memory with host BIOS is enabled, the A(16-18) signals are forced to the value sampled on the strap input that shares the pin. This is done to reduce leakage currents on external resistors connected to that pin.

Note: A(16-17) are reserved strap inputs that should not be pulled to 1.

2.4.5 Strap Pin Status Register (STRPST)

The STRPST Register is a byte-wide, read-only register. It enables the software to read the value set to strap pins during power-up reset. STRPST bits provide the value of their respective strap input. See Table 2-5 for bit details.

7	3	2	1	0
Reserved		HDEN	HRMS	SHBM

2.5 ALTERNATE FUNCTIONS

The PC87570 uses the GPIO port pins to multiplex functions and thereby maximize the device's flexibility, as shown in Table 2-5. You select alternate pin functions through the configuration registers and strap options, as follows:

- The $\overline{\text{SHBM}}$ strap pin (see Table 2-4) controls the PA pins. When $\text{SHBM} = 1$, the pins function as GPIO port signals. When $\text{SHBM}=0$, they function as described in Section 5.2.1 on page 49.
- The ports' Alternate Function Control Register controls the PB, PC, PD and PE pins. Each of the ports' pins may be used as a GPIO port or in its alternate function.
- The environment setting and MCFG bits control port PF and PG pins.
- The environment setting controls port PH pins. When in Dev environment, the pins perform their alternate functions. In IRE or IRD environments, they function as GPIO ports.

When a pin is used as GPIO and not in its alternate function, disable the alternate function in the module's register to prevent wired effects.

Table 2-5 lists the I/O pins and their alternate functions. When you use a pin as GPIO, you should disable the alternate function in the module register to prevent wired effects.

Table 2-5. Alternate Function Mapping

Pin Name	Port Signal		Alternate Function	Select (Alternate Function)
	Name	Type		
PA0/HMEMCS	PA0	I/O	HMEMCS	$\overline{\text{SHBM}}=0$
PA1/HMEMRD	PA1		HMEMRD	
PA2/HMEMWR	PA2		HMEMWR	
PA3/HA16	PA3		HA16	
PA4/HA17	PA4		HA17	
PA5/A16	PA5		A16	
PA6/A17	PA6		A17	

Pin Name	Port Signal		Alternate Function	Select (Alternate Function)
	Name	Type		
PB0/RING	PB0	I/O	RING	PBALT.0
PB1/SCL	PB1		SCL	PBALT.1
PB2/SDA	PB2		SDA	PBALT.2
PB3/TA	PB3		TA	PBALT.3
PB4/TB/EXINT10	PB4		TB/EXINT10	PBALT.4
PB5/GA20	PB5 ¹		GA20	0 always
PB6/HRSTO	PB6 ²		HRSTO	1 always
PB7/SWIN	PB7		SWIN	PBALT.7
PC0	PC0	I/O	-	PCALT.0
PC1	PC1		-	PCALT.1
PC2	PC2		-	PCALT.2
PC3/EXINT0	PC3		EXINT0	PCALT.3
PC4/EXINT11	PC4		EXINT11	PCALT.4
PC5/EXINT15	PC5		EXINT15	PCALT.5
PC6/PSCLK3	PC6		PSCLK3	PCALT.6
PC7/PSDAT3	PC7		PSDAT3	PCALT.7
PD0/AD0	PD0	Input	AD0	PDALT.0
PD1/AD1	PD1		AD1	PDALT.1
PD2/AD2	PD2		AD2	PDALT.2
PD3/AD3	PD3		AD3	PDALT.3
PD4/AD4	PD4		AD4	PDALT.4
PD5/AD5	PD5		AD5	PDALT.5
PD6/AD6	PD6		AD6	PDALT.6
PD7/AD7	PD7		AD7	PDALT.7
PE0/HA18	PE0	I/O	HA18	PEALT.0
PE1/A18	PE1		A18	PEALT.1
PF0/D8	PF0	I/O	D8	Dev or IRD Env; IRE Env when MCFG.EXM16=1
PF1/D9	PF1		D9	
PF2/D10	PF2		D10	
PF3/D11	PF3		D11	
PF4/D12	PF4		D12	
PF5/D13	PF5		D13	
PF6/D14	PF6		D14	
PF7/D15	PF7		D15	

Pin Name	Port Signal		Alternate Function	Select (Alternate Function)
	Name	Type		
PG0/SELIO	PG0	I/O	SELIO	Dev or IRD Env; IRE Env when MCFG.EXIOE=1
PG1/A15/CBRD	PG1		A15/CBRD	Dev or IRD Env; IRE Env when MCFG.A15E=1
PG2/CLK	PG2		CLK	Dev or IRD Env; IRE Env when MCFG.CLKOE=1
PG3/SEL1	PG3		SEL1	Dev or IRD Env; IRE Env when MCFG.EXM16=1
PG4/WR1	PG4		WR1	
PH0/BST0/ENV0	PH0	I/O	BST0	Dev Env
PH1/BST1/ENV1	PH1		BST1	
PH2/BST2	PH2		BST2	
PH3/PFS	PH3		PFS	
PH4/PLI	PH4		PLI	
PH5/ISE	PH5		ISE	

1. PB5 is initialized upon reset as an output port with data set to 1. This allows the PC87570 firmware to use it as GA20.
2. PB6 is always configured as output and with its alternate function enabled. See Section 5.11.4 on page 53.

2.6 SYSTEM CONFIGURATION REGISTERS

2.6.1 Module Configuration Register (MCFG)

The MCFG Register is a read/write, byte-wide register. It is used for global system configuration and setup.

Write operations to the MCFG Register should write zeros to all reserved bits. Upon reset, non-reserved bits of MCFG are cleared to 0. MCFG can be written in Active mode only. Its contents is preserved in Idle mode.

In IRE environment, all fields of MCFG should be used to designate associated pins as GPIO ports or for their alternate functions. In IRD and Dev environments, the pins are always allocated for IRD or Dev use. The I/O ports functionality can be implemented using off-chip logic.

To guarantee binary and cycle-by-cycle compatibility among the different environments, define the MCFG fields as required for IRE even when in IRD or Dev environments, and use the I/O Expansion protocol to build an off-chip implementation of the I/O ports when they are used by the application.

ADB or ISE systems may use the MCFG Shadow (MCFG-SH) Register to select the functionality of the signal that reaches the user's application.

7	6	5	4	3	2	1	0
Res	CLKOE	EXIOE	A15E	EXM16	SHMEM	SHOFF	

Bit 0 - Base Memory Shadow Off (SHOFF)

While cleared, the Base Memory can be accessed starting from address 10000h and the External Memory cannot be accessed. When set, this signal turns off the Base Memory shadow (i.e., the copy that starts at address 00000h) and enables access to the External Memory. Once SHOFF is set, the firmware should not clear it.

Bit 1 - Shared Memory Access Enable (SHMEM)

The host processor is enabled to access the shared memory only when SHMEM and SHOFF are set. Additional conditions to the host access are described in Sections 2.7 on page 30 and 5.2 on page 49. When SHMEM is cleared the host access to the shared memory is disabled. Once SHMEM is set, the firmware should not clear it.

Bit 2 - External Memory 16-Bit (EXM16)

While cleared, it defines the External Memory as 8 bits wide. When set it enables the use of a 16-bit wide External Memory. The bus width as indicated in this register and the bus width as defined in zone0 of the BIU (SZCFG0) should be the same.

When a 16-bit wide External Memory is used, ports PF0-7 and PG4 serve as part of the memory interface.

Bit 3 - Address A15 Enable (A15E)

When cleared (0), the PG1/A15 pin is used as a PG1 GPIO port. When it is set (1), the pin is used to output address line A15. This allows interface to up to 56 Kbyte of External Memory. It is set when shared BIOS memory mode is detected.

Bit 4 - Expansion I/O Enable (EXIOE)

When cleared (0), the PG0/SELIO pin is used as a GPIO port signal (PG0). When set (1), the pin is used to output SELIO signal. SELIO allows the use of the I/O Expansion protocol to implement I/O ports off-chip, in addition to the I/O ports implemented on-chip.

Bit 5 - Clock Output Enable (CLKOE)

When cleared (0), the PG2/CLK pin is used as a general-purpose port signal (PG2). When set (1), the port outputs the clock signal.

Bit 6 - Test Hook Set Flag (TEST)

This bit is set only when the test hook is enabled. The Base Memory should jump to the test hook routine when this bit is identified as high. Any device used in the IRE environment must hold this code. This is a read only bit. When modifying the MCFG Register, always write 0 to this bit.

2.6.2 PAGE Register

The PAGE Register is a read/write, byte wide register. When shared memory is used, this register defines the most significant bits of the address used when the CR16A core access the External Memory (zone 0). This defines which part of the shared memory the PC87570 firmware uses. During host processor access to the shared memory, the address lines are taken from the host address bus and not from the Page Register.

See "External Memory Mapping into Shared BIOS Memory" on page 32 for an explanation of how the bits below are used to map the External Memory.

7	3	2	1	0
Reserved		PAGE18	PAGE17	PAGE16

2.7 SHARED MEMORY CONFIGURATION

The PC87570 can share the use of the same memory device with the host processor. Either Flash EPROM or ROM devices may be used. The memory can be up to 512 KByte.

The PC87570 is mapped into a block of 56 KByte in the memory device. It may use all the block or part of it.

The host can access any of the bytes in the Flash device. The BIOS program may be stored at any location not used by the PC87570 firmware, even within the block assigned to it.

To share the BIOS memory, hold the SHBM strap input low during power-up reset. The firmware should perform the following initialization steps after reset:

1. Set MCFG.A15E to 1 and MCFG.EXM16 according to the value of PH[3].
2. Set MCFG.SHOFF to enable access to the External Memory.

3. Load the Page Register with the firmware's base address of the Shared BIOS block that needs to be accessed.
4. Configure the memory (zone0) access parameters (i.e., bus width, write cycle type, number of wait and hold cycles) using the Page and SZCFG0 Registers. The memory device may be either 8 or 16 bits wide; the host interface is 8-bits wide and the PC87570 takes care of the bus width translation.
5. If the memory device is 512 KByte (i.e., above 256 KByte), set the PEALT.0 and PEALT.1 bits, configuring PE0 and PE1 to be used in their alternate functions. HA18 is used as a BIOS page select.

The External Memory may be read or written by the core, as necessary, during steps 3 through 5, but the shared memory cannot be accessed by the host processor.

6. Set MCFG.SHMEN only after the above configurations are completed.

Figure 2-1 describes the hardware scheme used when a 512K Byte, 8-bit wide, Flash memory is connected to the PC87570 in the shared BIOS memory configuration.

See Section 5.2 on page 49 for more details about the shared memory interface and the bus protocols in use.

2.8 MEMORY MAP

The memory and I/O devices are directly mapped into the 256-Kbyte address space of the CR16A. The CR16A allows the first 128 Kbytes (00000h–1FFFFh) of its address space to include both code and data.

The boot section code and constant data of a PC87570-based system is stored in the Base Memory. This memory is:

- On-chip ROM in IRE environment
- Off-chip memories (ROM, Flash or SRAM memory) in IRD or Dev environment.

Most of the code and constant data of the PC87570 is stored in the External Memory. This memory can be either a ROM, Flash or RAM device interfaced directly with the PC87570. A power-up configuration pin allows memory sharing with the host processor.

Only byte-wide transactions may access byte-wide registers, and only word-wide transactions may access word-wide registers. Attempts to read a write-only register or write to a read-only register cause unpredictable results.

Zeros must be written to reserved bits. Reading reserved bits returns an undefined value. When modifying a register with reserved bits, the data read from reserved bits can be written back to it.

Table 2-6 shows how the PC87570's memory and I/O devices are mapped in the CR16A address space. Appendix A on page 156 shows the address map of the registers for the other modules.

Addresses not included in Table 2-6 or in Chapter A on page 156 are reserved. Attempts to access unlisted addresses produce unpredictable results.

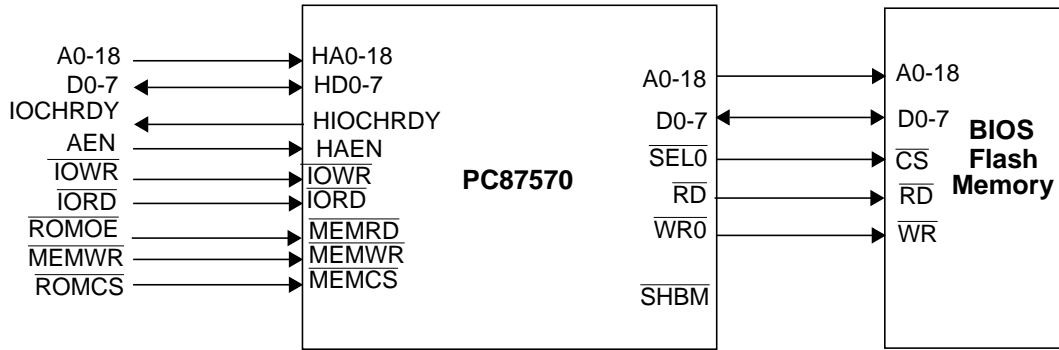


Figure 2-1. Sharing PC87570 Program Memory and BIOS Flash Memory

2.8.1 Accessing Base Memory

Base Memory Configuration

The environment setting controls the use of on-chip Base Memory (ROM), or off-chip Base Memory. In all cases, the memory access parameters (i.e., the number of wait and hold cycles) are as defined for zone1 of the BIU.

On-Chip Base Memory

In IRE environment, on-chip ROM is used as Base Memory, as shown in Figure 2-2. To maximize on-chip ROM performance, configure the BIU as described in Section 3.6 on page 46.

Off-Chip Base Memory

In IRD and Dev environments (when on-chip ROM is not available), the code and constant data are stored in off-chip Base Memory. This off-chip Base Memory has 64 Kbytes of address space (10000h - 1FFFFh). The first 56 Kbyte are also shadowed to address (00000h - 0DFFFh), when MCFG.SHOFF=0. Off-chip accesses to this memory zone are indicated by the SEL1 output.

Figure 2-3 illustrates how off-chip Base Memory is mapped to the PC87570's address space.

Table 2-6. PC87570 Memory Map

Address	Size (Bytes)	Description		Environment	
		Shadow On ¹	Shadow Off ²		
00000h – 007FFh	2K	Base Memory	External Memory	IRE	
00800h – 07FFFh	30K	Reserved	External Memory ³		
08000h – 0DFFFh	24K				
00000h – 0DFFFh	56K	Base Memory	External Memory	IRD, Dev	
0E000h - 0EFFFh	4K	Reserved		All	
0F000h – 0F3FFh	1K	System RAM			
0F400h - 0F8FFh	1280	Reserved			
0F900h _ 0F90Ah	11	HBI			
0F90Bh - 0F97Fh	117	Reserved			
0F980h – 0F98Fh	16	BIU Registers ⁴			
0F990h - 0FAFFh	368	Reserved			
0FB00h – 0FBFFh	256	I/O Expansion			
0FC00h – 0FFFFh	1K	On-chip modules registers ⁴			
10000h – 107FFh	2K	Base Memory			IRE
10800h – 1FFFFh	62K	Reserved			
10000h – 1FFFFh	64K	Base Memory		IRD, Dev	
20000h – 3FFFFh	128K	Reserved		All	

1. See Section 2.8.1 for details.

2. See Section 2.8.2 for details.

3. When MCFG.A15E = 1; otherwise reserved.

4. See Appendix A on page 156 for details of the implemented registers.

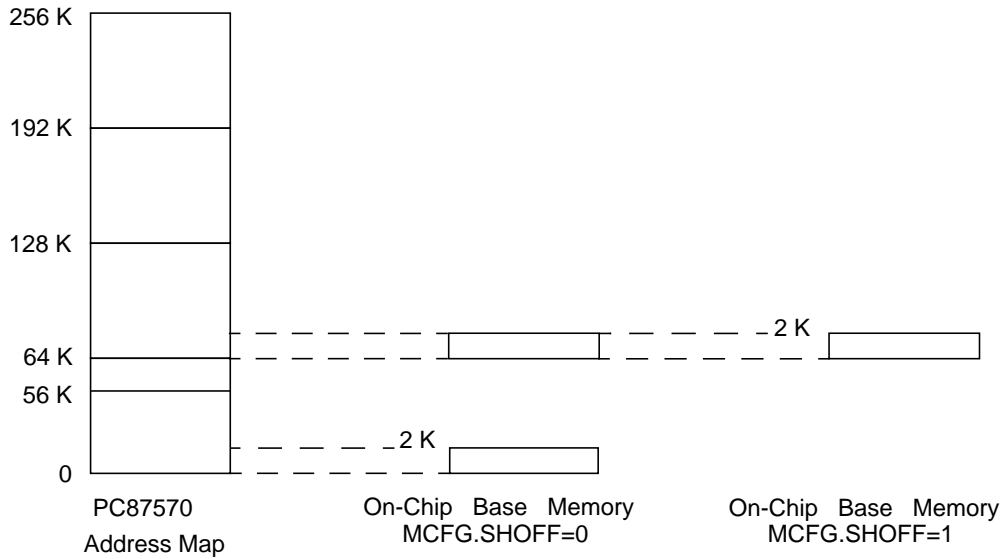


Figure 2-2. On-Chip Base Memory (Zone 1) Address Range

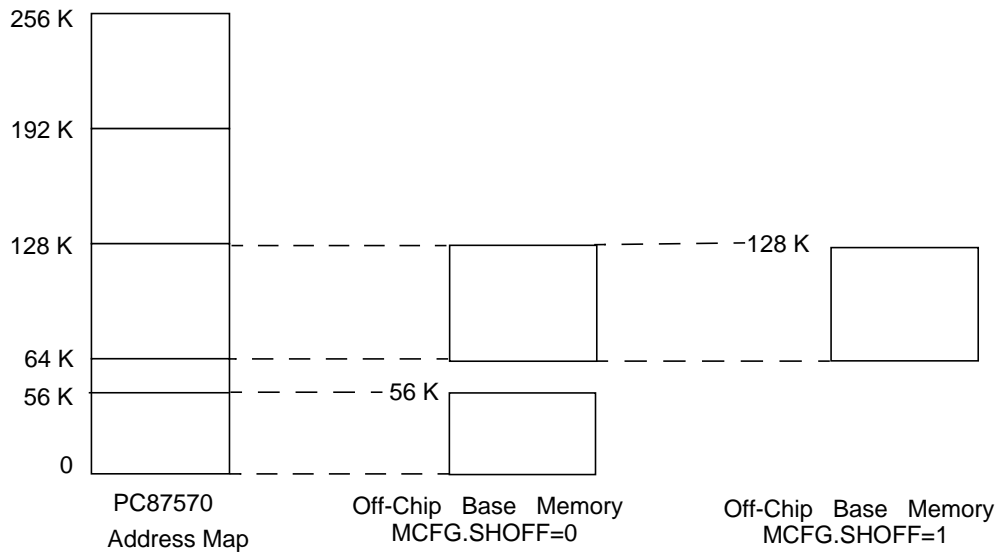


Figure 2-3. Off-Chip Base Memory (Zone 1) Address Range

2.8.2 Accessing External Memory

External Memory Configuration is enabled whenever the Base Memory Shadow is off ($MCFG.SHOFF=1$). The BIU Zone 0 Configuration Register ($SZCFG0$) controls the memory access parameters.

The interface to the External Memory is executed using the $SEL0$, RD , $WR0-1$, $A0-18$ and $D0-15$ signals. Not all the signals are used in every configuration. Table 2-7 summarizes the MCFG bit settings, and the signals used for the memory interface in each configuration.

Figure 2-4 shows the External Memory Address Range mapping to the CR16A core.

External Memory Mapping into Shared BIOS Memory

When the shared BIOS memory is enabled ($\overline{SHBM}=0$), the External memory address range is mapped into a memory device with larger address space. This External Memory access is mapped by padding the core's 16 lower address bits with fixed values from the Page Register (used as most significant address lines). See Table 2-8 for details on how to configure various elements for External Memory expansion.

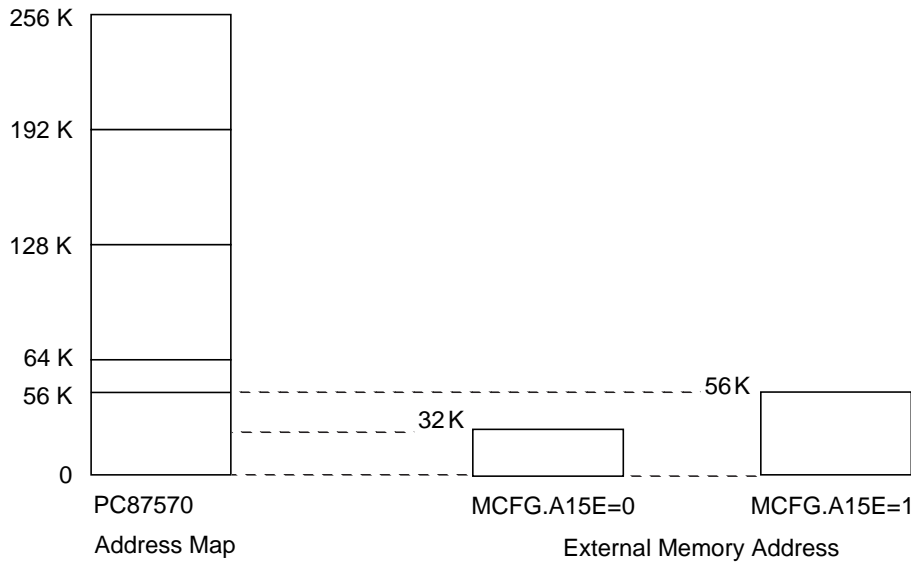


Figure 2-4. External Memory (Zone 0) Address Range

Table 2-7. External Memory Configuration Settings

External Memory Configuration	MCFG			SZCFG0.BW	Interface Signals		
	SHOFF	A15E	EXM16		Control	Data	Addr
Disabled	0	X	X	X	X	X	X
32K x8	1	0	0	0	$\overline{\text{SEL0}}$, WR0, RD	D0-7	A0-14
64K x8	1	1	0	0			A0-15
32K x16	1	0	1	1	$\overline{\text{SEL0}}$, WR0-1, RD	D0-15	A0-14
64K x16	1	1	1	1			A0-15

Table 2-8. External Memory Address Expansion Scheme

SHBM	PEALT.1	MCFG.A15E	A18 ¹	A17	A16	A15
1	0	0	X	X	X	X
		1	X	X	X	A15
0	0	1	X	Page17	Page16	A15
	1		Page18			

1. Legend:

X - Alternate function used (I/O port)

Ai - Signal outputs address bit i when the External Memory accessed

Page - Signal outputs the page defined in the Page Register.

2.8.3 Accessing I/O Expansion Space

The I/O expansion protocol permits you to implement I/O ports in the system, besides those available on-chip, in all three environments (IRD, IRE and Dev). In IRD and Dev environments, the I/O expansion protocol enables you to implement the functionality of I/O ports PF, PG and PH using off-chip external logic. Access to these ports is through the addresses defined in Chapter A on page 156. The I/O expansion space is mapped to the address space FB00-FBFFh. You can use the I/O expansion space as follows:

- Addresses in the range FB00h-FB11h may be used to

restore GPIO ports PF, PG and PH.

- Address FBFEh is used only in Dev environment by the MCFGSH Register, and must be written after each write to the MCFG with the same data written to the MCFG.
- Addresses in the range FB30h-FB5Fh are reserved for development board use.

The protocol accesses the off-chip I/O expansion using I/O zone of the BIU. The zone select signal ($\overline{\text{SELIO}}$), address lines A0-7 and the RD and WR0 signals, are used to interface to the off-chip logic.

3.0 Bus Interface Unit (BIU)

The BIU directly interfaces with a wide variety of devices, including ROM, SRAM and FLASH memory devices and I/O devices. It interfaces via address, data and control buses, without the need for external glue logic.

3.1 FEATURES

- Three address zones for static devices (SRAM, ROM, FLASH, I/O)
- Basic bus cycle: two clock cycles
- Configurable fast read bus cycles with one-cycle read duration
- Wait states: configurable between zero and seven clock cycles
- Hold cycles: configurable between zero and three clock cycles
- I/O expansion support
- Configurable burst on read
- Burst read: one clock cycle
- Configurable early write or late write
- Bus width: configurable per zone - 16-bit or 8-bit

3.2 FUNCTIONAL DESCRIPTION

3.2.1 Interfacing

The BIU interfaces between:

- The internal core bus
- External static memory
- Off-chip I/O (memory mapped) devices
- On-chip ROM.

The BIU performs the following functions:

- Distinguishes between three static memory zones
- Selects the relevant configured parameters of the accessed zone (e.g., the number of wait states)
- Issues the appropriate bus cycle to access the zone.

Each memory zone has a different address range and a set of parameters which define the access to this zone. The set of parameters is software configurable.

3.2.2 Static Memory and I/O Support

The BIU accesses static memory devices (ROM, SRAM, FLASH and I/O devices) using static read and write bus cycles. The BIU extends the bus cycles with wait cycles, if so configured.

The BIU supports burst read bus cycles, if the accessed zone is configured as burstable. (A burst-read bus cycle is an extension of the basic-read bus cycle in which additional data is accessed. A burst access usually requires only one clock cycle per additional data item. It may be extended by up to two clock cycles per additional data item.)

To support both I/O and static memory devices that require long hold times at the end of the access, the BIU can be configured to add up to three T_{hold} clock cycles at the end

of the bus cycle. In addition to this, the BIU can be configured to insert a T_{idle} clock cycle between two consecutive accesses in different zones.

3.2.3 Byte Accessing

The internal core bus is 16-bit wide and supports byte and word transactions.

The BIU issues the appropriate bus cycle to access the right bytes, according to the core bus transaction and the memory device bus width.

On write cycles of a single byte, the other eight bits of the bus are floating.

On read cycles of a single byte, the other eight bits of the bus are ignored. There is no need for external pull-up resistors.

3.3 CLOCK AND BUS CYCLES

There are two types of bus cycles: data transfer and non-data transfer. Data-transfer bus cycles cause transfer of data from, or to, the memory device. Non-data transfer bus cycles (described in Section 3.4 on page 44) are used for observability of internal bus transactions - they do not involve data transfer from, or to, external devices.

There are four types of data transfer bus cycles:

- Early write
- Late write
- Normal read
- Fast read.

The BIU uses the BCFG.EWR configuration bit to select the early or late write data transfer bus cycle. It uses the SZCF-Gn.FRE bit (where "n" refers to zone 0 or 1) to select normal read or fast read data transfer bus cycles.

The basic late write bus cycle takes two clock cycles. The basic early write bus cycle takes three clock cycles. When the BIU uses the early write bus cycle, the RD signal is not required for interfacing with the memory device (with the exception of FLASH). On reset, early write bus cycle is configured.

The basic normal read bus cycle takes two clock cycles. Fast read bus cycle always takes one clock cycle. On reset, normal read bus cycle is configured.

Notes:

1. In the descriptions that follow, the "n" in \overline{SELn} signal refers to two of the three permitted BIU select signals (numbered 0 or 1, corresponding to zone 0 or zone 1 respectively). The third signal is labelled SELIO.
2. For all timing diagrams, the value of BST0-2 depends upon the type of core bus transaction.

3.3.1 Clock Cycles

Basic Bus Cycle

A basic bus cycle comprises 1 to 3 clock cycles (depending upon the type of bus cycle). Adding extra wait or hold clock cycles extends the data transfer bus cycles. Every data transfer bus cycle has the T1 and T2 clock cycles, with the exception of the fast read bus cycle that only has one clock cycle (T1-2).

T_{idle} Cycle

Clock cycles which are not used for bus cycles are called Idle clock cycles (T_{idle}). T_{idle} cycles are added when the BIU does not need to generate a bus transaction, or when spe-

cifically configured as a pause between two consecutive transactions. When more than one T_{idle} cycle is requested as a pause, the T_{idle} cycles overlap and only one T_{idle} cycle is added.

T_{idle} clock cycles can be inserted between two consecutive accesses in different zones (to allow long hold times or buffer disable times). To do this either program SZCFGn.IPST and/or SZCFGn.IPST (or IOCFG.IPST). See Figure 3-7 on page 40.

T_{idle} clock cycles are also added between an early write and any read bus cycles, and between a late write and fast read bus cycles. See Figure 3-12 on page 43.

T1 Cycle

Every bus cycle starts with T1. In this clock cycle the address of the selected device (either external or internal) is set on the address pins. Write bus cycles never drive data during T1.

T2 Cycle

The read T2 bus cycles always sample the data at the end of T2.

The write T2 bus cycles always drive data during T2. If no T_{hold} clock cycles follow, the data bus is put in TRI-STATE after the T2 cycle.

T1-2 Cycle

The fast read T1-2 bus cycle is one-cycle read duration.

At the beginning of the clock cycle, the address of the selected device is set on the address pins and the \overline{SELn} and \overline{RD} signals are activated. At the end of the clock cycle, the BIU samples the data.

T3 Cycle

Early write bus cycles always have the T3 clock cycle. All other bus cycles do not have this clock cycle.

At the beginning of this clock cycle \overline{SELn} (or \overline{SELIO}) deactivates and then $\overline{WR(0-1)}$ deactivates. The address and data remains valid until T3 is completed. If no T_{hold} clock cycles follow, the data bus is put in TRI-STATE after the T3 cycle.

The following clock cycles are optional in a data transfer bus cycle:

- TIW (Internal Wait)
- T_{hold}
- T2B (T2 burst)
- TBW (Burst Wait).

TIW Cycle

Extend the basic data transfer bus cycle by adding wait clock cycles. To do this, either program SZCFGn.WAIT (or IOCFG.WAIT) with the required additional wait clock cycles. Wait clock cycles generated due to SZCFGn.WAIT (or IOCFG.WAIT) are named TIW (internal wait). TIW cycles are added after T1 and followed by T2 cycles. Data is always driven during wait clock cycles of a write bus cycle.

TBW Cycle

A burst bus cycle can be extended by one wait clock cycle, named TBW. This is done according to SZCFGn.WBR. The address is changed in the beginning of TBW. Write bus cycles do not have this clock cycle.

T2B Cycle

Data of read burst bus cycles is sampled at the end of T2B. If TBW cycle is not configured, the address is changed in the beginning of T2B. Write bus cycles do not have this clock cycle.

T_{hold} Cycle

Hold cycles are added after T2 or T2B (if there is a burst bus cycle) or T3 (according to SZCFGn.HOLD or IOCFG.HOLD); the address and data (during a write bus cycle) are always valid during these cycles. The data bus is put in TRI-STATE after the last T_{hold} .

Special T_{idle} Cycle

During T_{idle} cycles, one of the $\overline{SEL0-1}$ signals and the \overline{RD} signal may be activated for one clock cycle. This happens due to special activity on the internal core bus.

To avoid contention on the memory bus, it is guaranteed that this clock cycle is followed by a sufficient number of T_{idle} cycles before the next T1 cycle is performed.

The number of T_{idle} cycles following is at least the number required by the selected zone as configured in the HOLD field of the SZCFGn Register.

3.3.2 Control Signals

A read bus cycle consisting of the basic bus cycle plus additional clock cycles (the burst bus cycle) occurs if the bus is burstable (SZCFGn.BRE is 1), the configured bus width is 8 bits, and the core attempts to read a word. When the bus is not burstable (SZCFGn.BRE is 0), the BIU issues two separate read bus cycles. Write bus cycles are never burstable, and the BIU always issues two separate write bus cycles.

The write bus cycles use byte write qualifiers on $\overline{WR0-1}$ pins:

- They access an 8-bit wide memory on D0-7 data lines. One byte is accessed on basic bus cycles. Only $\overline{WR0}$ pin is used as the byte write qualifier.
- They access a 16-bit wide memory on D0-15 data lines. Either one or two bytes are accessed on basic bus cycles. $\overline{WR0}$ pin is used as even byte (D0-7) write qualifier and $\overline{WR1}$ pin is used as odd byte (D8-15) write qualifier.

3.3.3 Early Write Bus Cycle

If the BCFG.EWR configuration bit is 1, the BIU uses early write bus cycles; this allows removal of the \overline{RD} signal from the memory device interface. The basic early write bus cycle takes three clock cycles.

The cycle starts at T1, when the data bus is in TRI-STATE and the address is placed on the address bus. \overline{RD} is inactive to indicate that this is a write bus cycle; then $\overline{WR0-1}$ are activated.

At the first TIW, or T2 (when there are no TIW cycles), the data is placed on the data bus and the \overline{SELn} (or \overline{SELIO}) is activated. The bus transaction is terminated at T3, when

\overline{SELn} (or \overline{SELIO}) becomes inactive; then $\overline{WR0-1}$ become inactive and the data bus is put in TRI-STATE. The address remains valid until T3 is complete.

T_{hold} clock cycles may follow T3, according to SZCFGn.HOLD or IOCFG.HOLD (may be 0). The address and data remains valid until the end of the last T_{hold} cycle. The data is put in TRI-STATE in the clock cycle after the last T_{hold} or T3 (if no T_{hold} cycle is configured). See Figures 3-1, 3-2 and 3-3.

If a read bus cycle immediately follows an Early Write bus cycle, an idle cycle is added between the two.

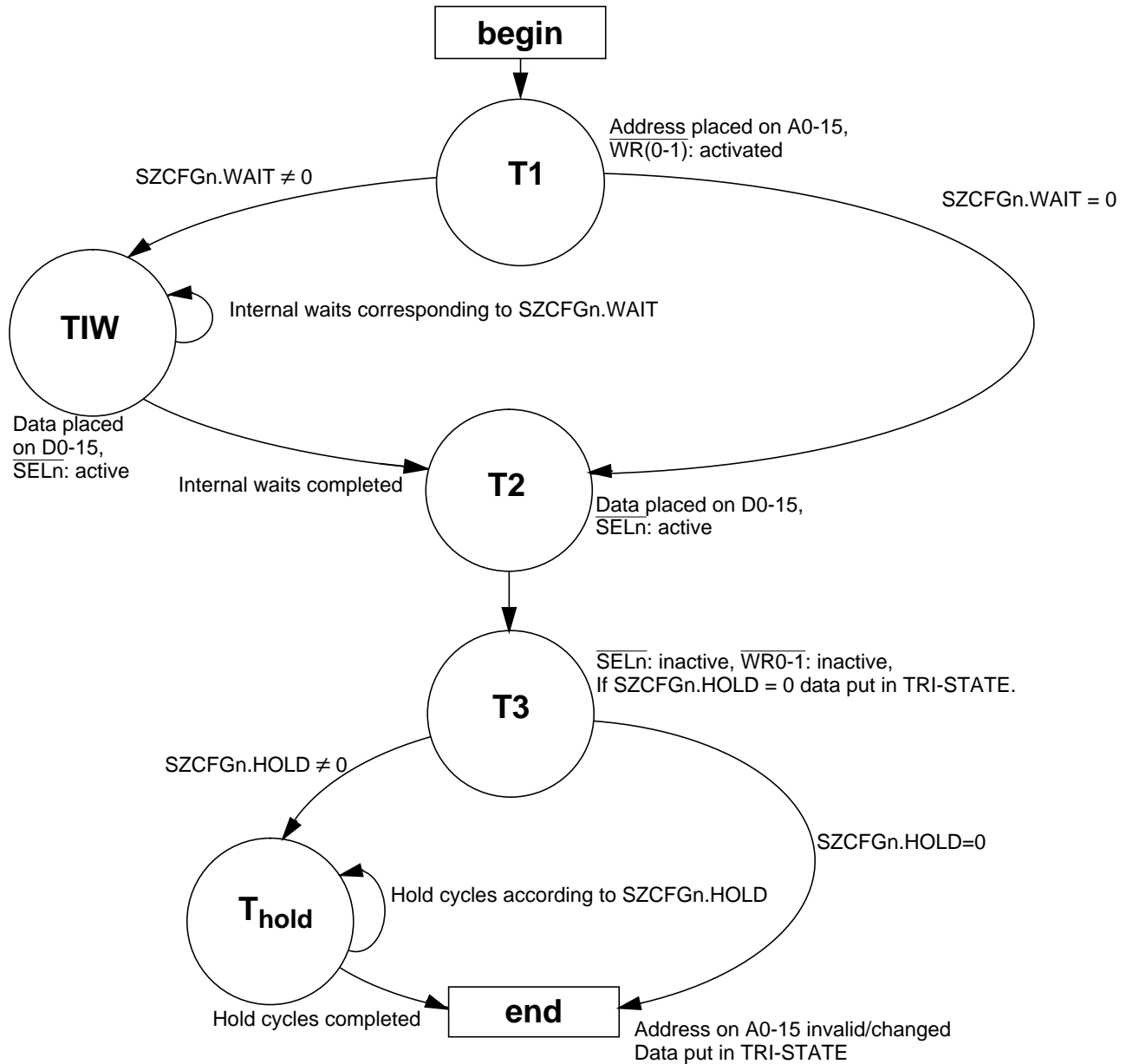


Figure 3-1. Early Write Bus Cycle

Note: Any reference to $SZCFGn$, also applies to the IOCFG Register.
Any reference to \overline{SELn} , also applies to the \overline{SELIO} signal.

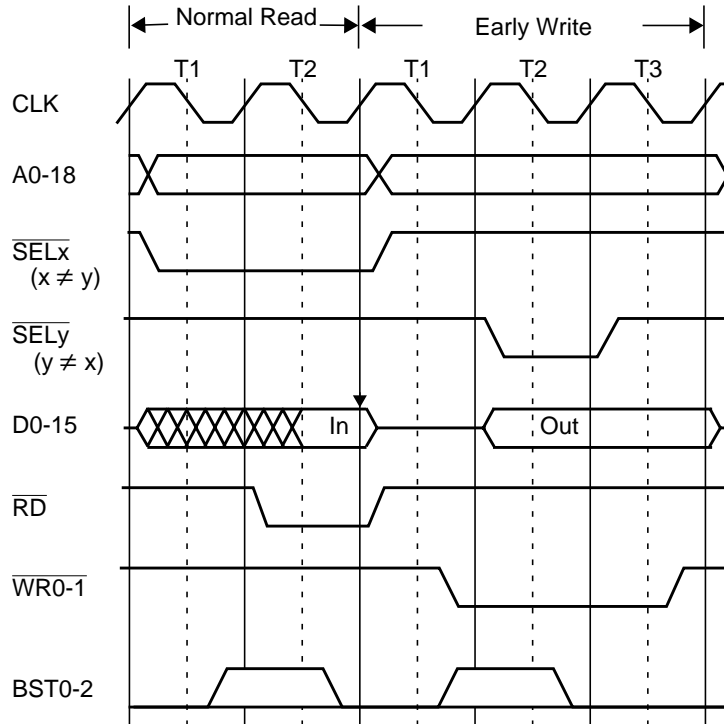


Figure 3-2. Early Write following Normal Read with 0 Wait

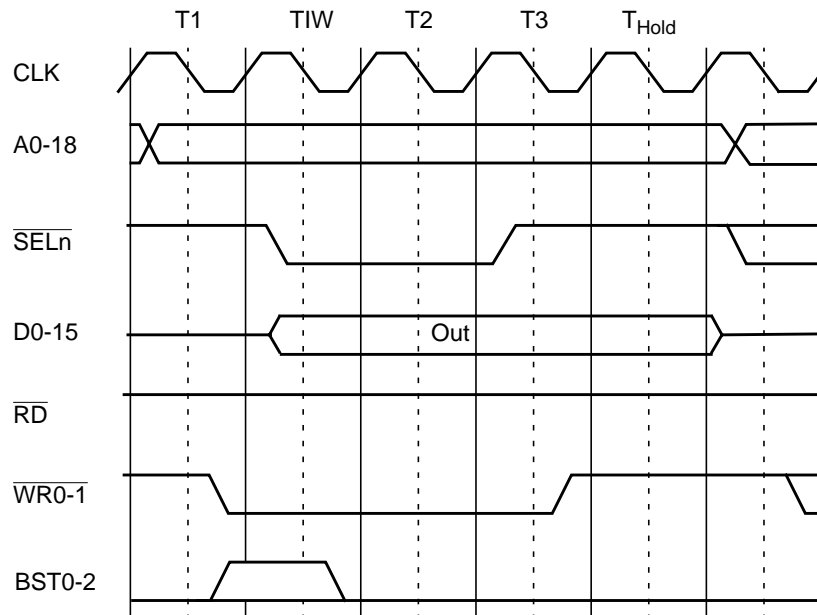


Figure 3-3. Early Write Bus Cycle with 1 Internal Wait and 1 Hold

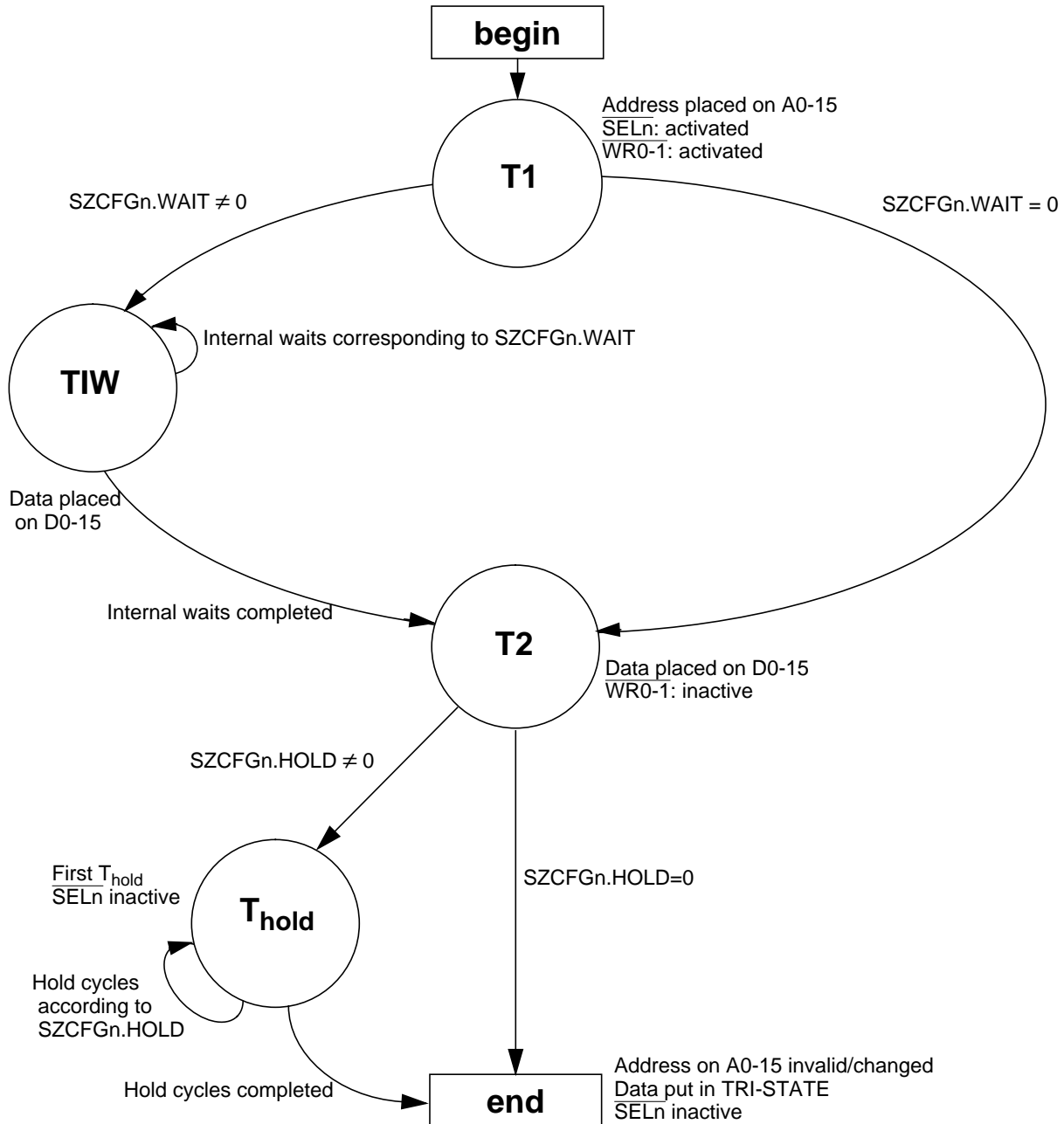
3.3.4 Late Write Bus Cycle

If the BCFG.EWR configuration bit is 0, the BIU uses the late write bus cycle. The basic late write bus cycle takes two clock cycles. This write bus cycle requires the \overline{RD} signal in the memory device interface.

A write bus cycle starts at T1, when the data bus is in TRI-STATE, the address is placed on the address bus and \overline{SELn} (or \overline{SELIO}) is activated. Next, $\overline{WR0-1}$ are activated; \overline{RD} is inactive to indicate this is a write transaction.

At the first TIW or T2 (when there is no TIW cycles), the data is placed on the data bus. The bus cycle is completed at T2, when $\overline{WR0-1}$ deactivates; the address and data remain valid until T2 is completed.

After T2, the number of T_{hold} cycles specified by SZCFGn.HOLD (may be 0) are added. When T_{hold} cycles are added, the address and data remain valid until the end of the last T_{hold} cycle. \overline{SELn} (or \overline{SELIO}) is deactivated on the first T_{hold} cycle. When no T_{hold} cycles are specified, \overline{SELn} (or \overline{SELIO}) is deactivated in the clock cycle after T2, unless another read or write from the same zone follows. The data is put in TRI-STATE in the clock cycle after the last T_{hold} or T2 (if no T_{hold} cycle is configured). See Figures 3-4, 3-5 and 3-6.



Note: Any reference to SZCFGn also applies to the IOCFG Register.
Any reference to \overline{SELn} also applies to the \overline{SELIO} signal.

Figure 3-4. Late Write Bus Cycle

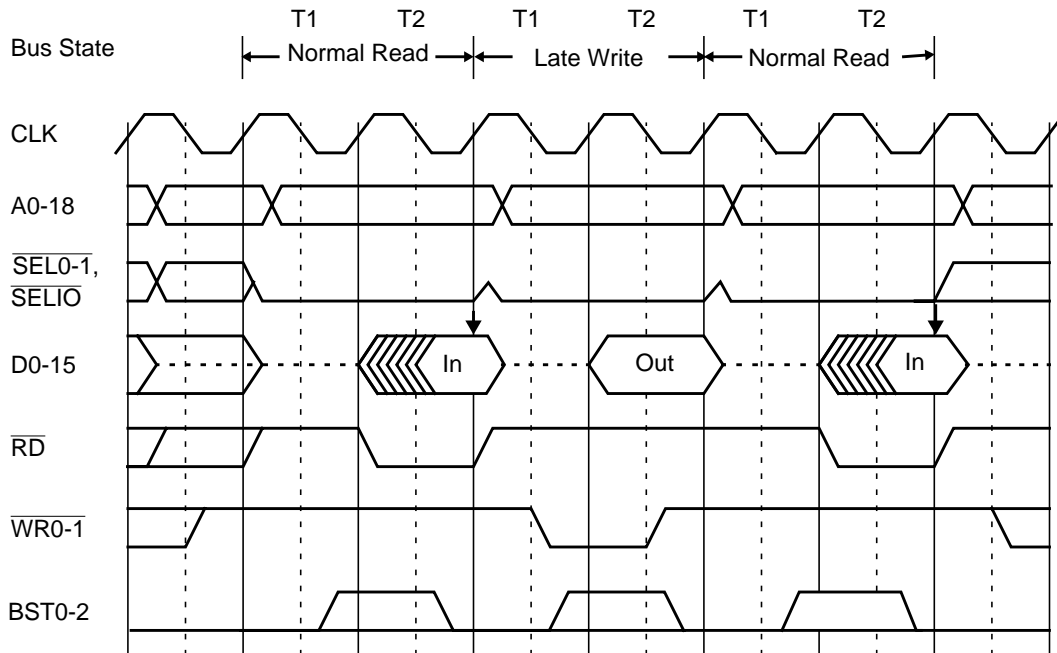


Figure 3-5. Late Write Bus Cycle Between Normal Read Bus Cycles with 0 Wait

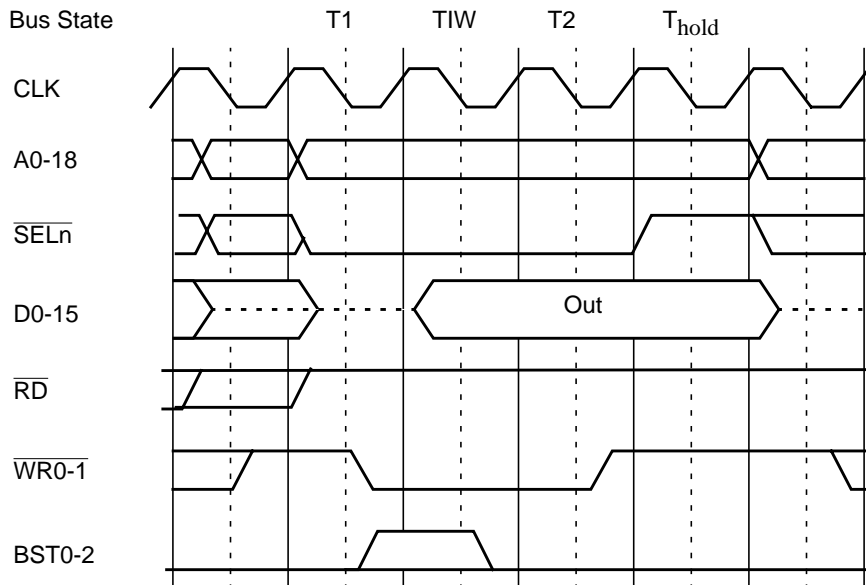


Figure 3-6. Late Write Bus Cycle with 1 Internal Wait and 1 Hold

3.3.5 Normal Read Bus Cycle

A read bus cycle starts at T1, when the address is placed on the address bus, and \overline{SELn} (or \overline{SELIO}) is activated. $\overline{WR0-1}$ are inactive, indicating that this is a read bus cycle. The \overline{RD} signal is activated on the first TIW or T2 (when there are no TIW cycles).

At the end of T2, the BIU samples the data on D0-7 or D0-15, according to the SZCFGn.BW signal. After T2, the number of T_{hold} cycles specified by SZCFGn.HOLD (may be 0) are added. \overline{SELn} and \overline{RD} deactivate on the first T_{hold} cycle. The address remains valid until the end of the last T_{hold} cycle.

When no T_{hold} cycles are specified, \overline{SELn} deactivates in the clock cycle that follows T2, unless another read from the

same zone follows. The \overline{RD} signal always deactivates in the clock cycle following T2. See Figures 3-7, 3-8 and 3-9.

A burst bus cycle supplements the basic read bus cycle if the core attempts to access more bytes (i.e., a word) than the configured bus width (and SZCFGn.BRE is set to 1). The burst bus cycle (T2B) follows T2, before the T_{hold} cycles (if configured). A wait clock cycle (TBW) is added between T2 and T2B, if SZCFGn.WBR is set to 1.

The address of the burst bus cycle is changed on TBW (if configured) or T2B (if no TBW). At the end of T2B, data is sampled. The \overline{RD} signal is activated during the burst bus cycle; it deactivates in the clock cycle following T2B. See Figures 3-10 and 3-11.

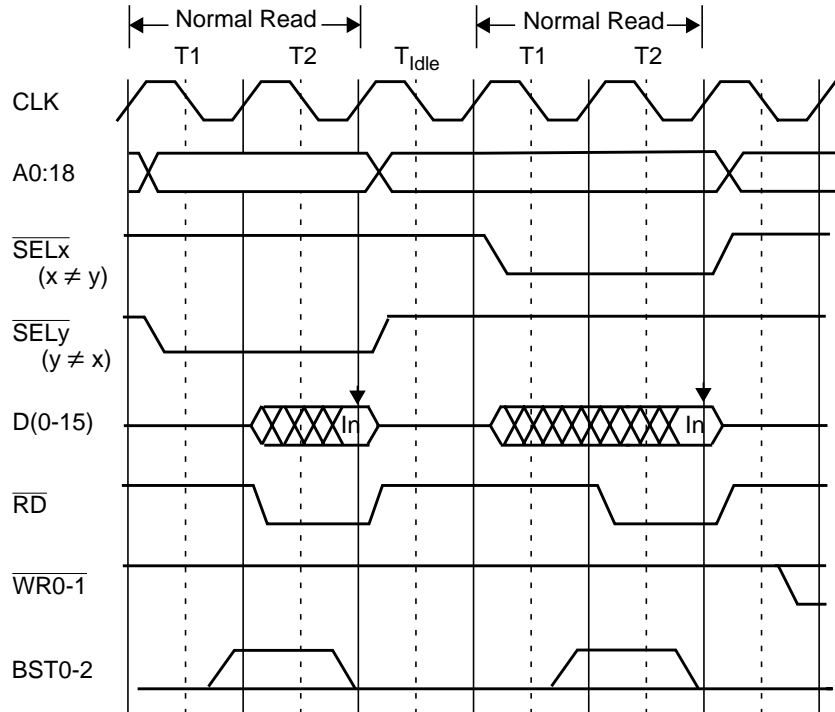


Figure 3-7. Two Basic Normal Read Bus Cycles with Idle In-between (SZCFGy.IPST = 1, SZCFGx.IPRE =

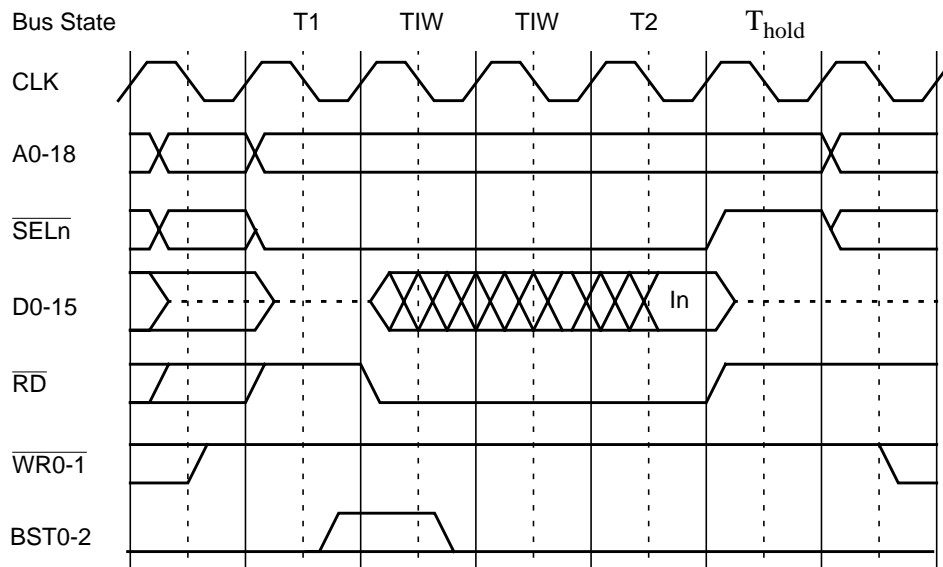


Figure 3-8. Normal Read Bus Cycle with 2 Internal Waits and 1 Hold

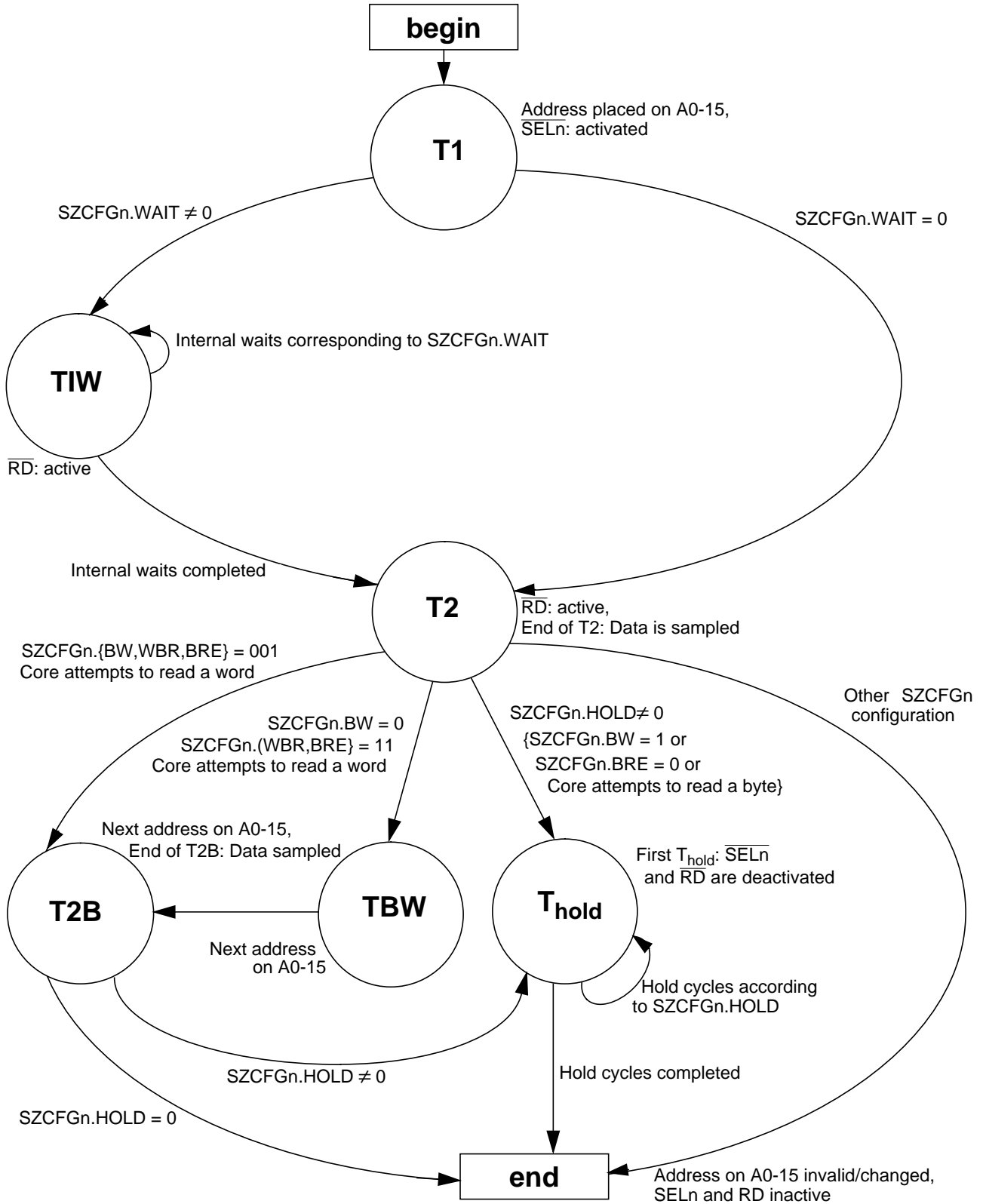


Figure 3-9. Normal Read Bus Cycle

Note: Any reference to SZCFGn, also applies to the IOCFG Register.
 Any reference to SELn, also applies to the SELIO signal.
 TBW and T2B states do not exist in bus cycles of the IO zone.

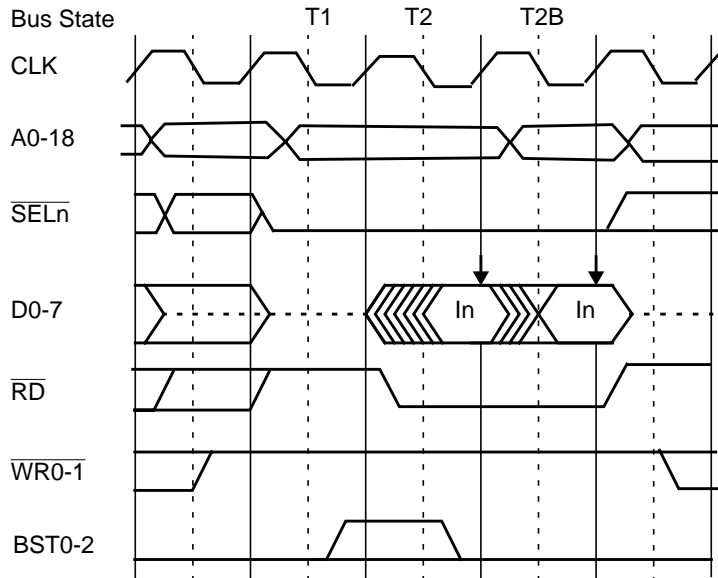


Figure 3-10. Normal Read Bus Cycle with 0 Wait on Burst

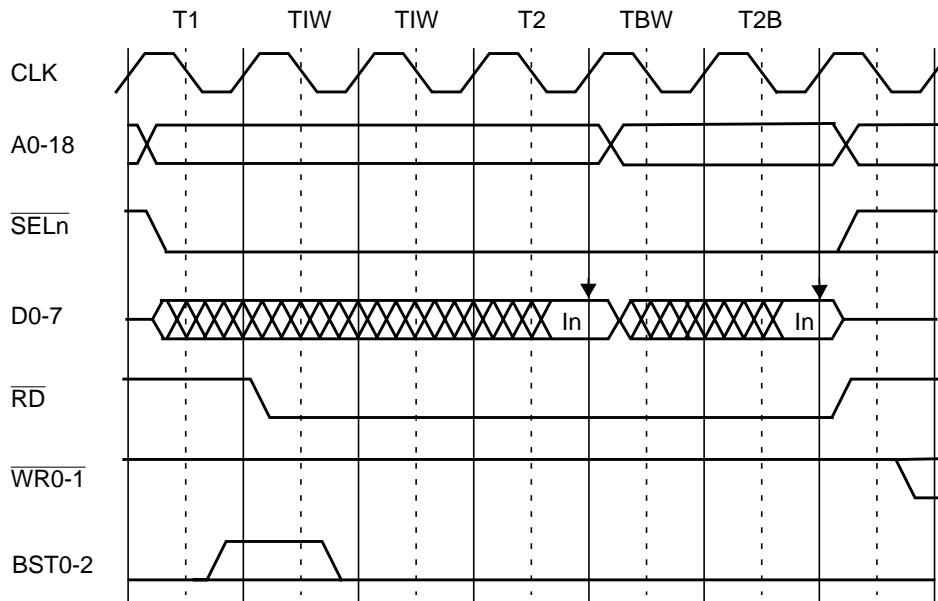


Figure 3-11. Normal Read Bus Cycle with 2 Internal Waits and 1 Wait on Burst

3.3.6 Fast Read Bus Cycle

When SZCFGn.FRE is 1, the fast read bus cycle is enabled for zone “n”. The fast read bus cycle takes one clock cycle.

At the beginning of the T1-2 clock cycle the address is placed on the address bus and SELn and RD are activated. WR(0-1) are inactive, indicating a read bus cycle. At the end of the clock cycle, the BIU samples the data. SELn and RD deactivate in the following clock cycle, unless another read from the same zone follows. If a write to the same zone follows, and late write is configured, SELn remains activated. The address remains valid until the beginning of the clock cycle after the T1-2 clock cycle.

The fast read bus cycle cannot be extended by adding wait cycles (SZCFGn.WAIT is ignored during this bus cycle). Additionally, hold cycles cannot be added (SZCFGn.HOLD is also ignored). When a write bus cycle consecutively precedes a fast read bus cycle, an idle clock cycle is forced between the two. See Figure 3-12.

When the core attempts to access more bytes (i.e., a word) than the configured bus width, the transaction is broken up into “basic” (T1-2) bus cycles.

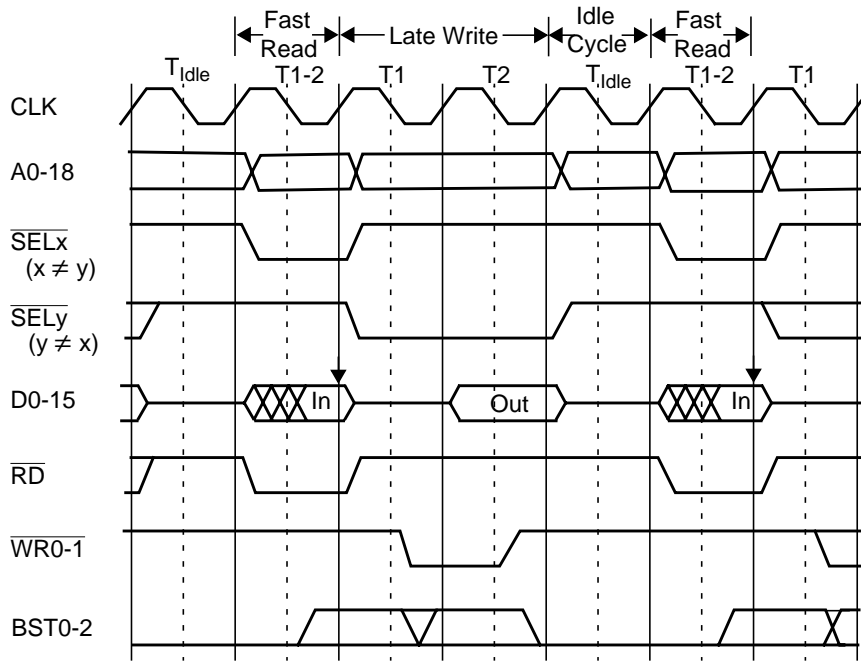


Figure 3-12. Fast Read Bus Cycle

3.3.7 I/O Expansion Bus Cycles

The I/O expansion bus cycles enables you to implement the functionality of on-chip I/O ports (when the pins of the on-chip I/O ports are used to support IRD or Dev environment) and/or additional ports, using off-chip external logic.

I/O expansion bus cycles access the off-chip I/O device using the following signals:

- $\overline{\text{SELIO}}$
- Address lines A0-7
- The $\overline{\text{RD}}$ and $\overline{\text{WR0-1}}$ signals may be used.

The design minimizes the off-chip logic required to implement the I/O ports. It is costly to implement a port with pins individually configured for input or output. Implementing ports which are input only or output only, reduces expenses.

I/O expansion bus cycle is not generated during an access to a port register when:

- Any port pin is available on-chip
- All port pins are inputs, and the port is being written.

I/O Expansion Read/Write Bus Cycle

These cycles are always preceded by a T_{idle} clock cycle. See Figure 3-13. The I/O zone is not burstable.

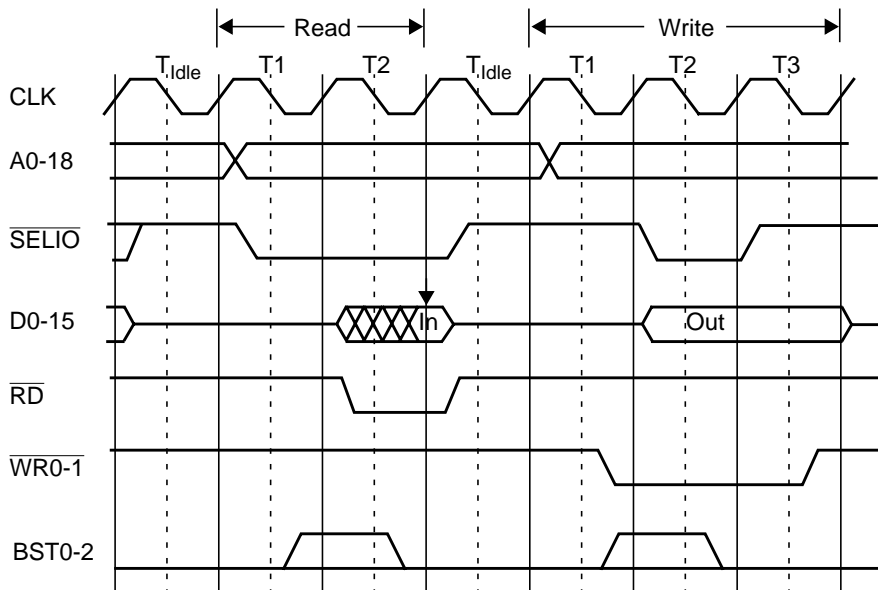


Figure 3-13. I/O Expansion Bus Cycles (BCFG.EWR = 1)

3.3.8 I/O Expansion Example

Figure 3-14 shows an example of how two ports can be implemented off-chip, using I/O expansion. This example im-

plements two 8-bit ports, by connecting the $\overline{\text{SELIO}}$, $\overline{\text{RD}}$ and $\overline{\text{WR0}}$ pins to the latch/buffer controls.

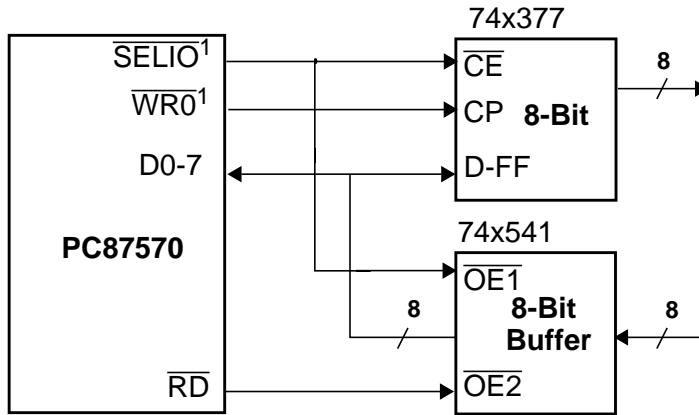


Figure 3-14. Example of an Implementation of Two Ports Using I/O Expansion

1. This routing is for late write. If early write, $\overline{\text{SELIO}}$ is routed to CP and $\overline{\text{WR0}}$ to $\overline{\text{CE}}$. All other routing is unchanged.

3.4 DEVELOPMENT SUPPORT

The BIU provides the following support for development systems.

3.4.1 Bus Status Signals

The Bus Status BST0-2 signals indicate whether a transaction on the core bus was issued, and the transaction type. See Table 18-1 on page 130.

3.4.2 Core Bus Monitoring

The core bus monitoring cycle is a non-data transfer bus cycle. It takes a single clock cycle - T1. On this cycle:

- The address pins display the address of the internal device accessed on the core bus.
- CBRD indicates the direction of the access (read or write).
- BE0-1 indicate which data bus bytes are accessed (lower or upper).
- BST0-2 display the core bus status.

See Figure 3-15. The core bus monitoring cycle is generated only when the BCFG.OBR configuration bit is 1.

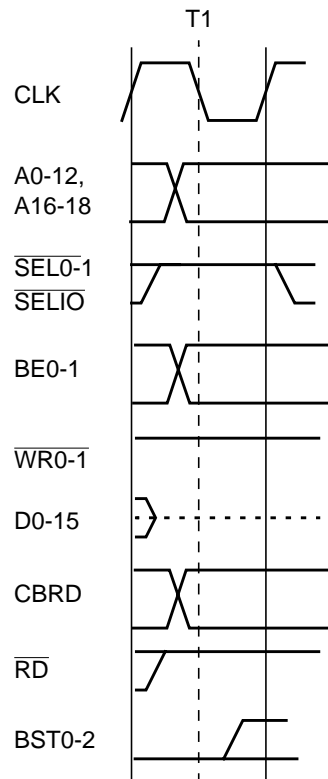


Figure 3-15. Core Bus Monitoring Bus Cycle

3.5 BIU REGISTERS

3.5.1 BIU Configuration Register (BCFG)

The BCFG Register is a byte-wide, read/write register that controls the configuration of common features to all zones. On reset, BCFG is initialized to 07h.

7	2	1	0
Reserved		OBR	EWR

Bit 0 - Early Write or Late Write (EWR)

- 0: Late Write
- 1: Early Write

Bit 1 - Observability (OBR)

- Address and Status Observability of Internal Accesses.
- 0: Address and status of internal accesses are not observable. No toggle of external buses.
 - 1: Address and status of internal accesses are observable. External buses toggle.

3.5.2 I/O Zone Configuration Register (IOCFG)

The IOCFG Register is a word-wide, read/write register that controls the configuration of the I/O zone. On reset, IOCFG is initialized to 069Fh.

15	10	9	8
Reserved		IPST	Res

7	6	5	4	3	2	0
BW	Reserved		HOLD		WAIT	

Bits 2-0 - WAIT

- Number of TIW clock cycles that extend the bus cycle.
- 000: None
 - 001: One
 - 010: Two
 - 011: Three
 - 100: Four
 - 101: Five
 - 110: Six
 - 111: Seven

Bits 4,3 - HOLD

- Number of T_{hold} clock cycles.
- 00: None
 - 01: One
 - 10: Two
 - 11: Three

Bit 7 - Bus Width (BW)

- BW defines the external bus-width used for the I/O zone. Bus width is initialized during reset to its default value.
- 0: 8-bit bus
 - 1: 16-bit bus (default)

Bit 9 - Post Idle (IPST)

- An idle cycle follows the current bus cycle, when the next bus cycle is in a different zone.
- 0: No idle cycle inserted
 - 1: Idle cycle inserted

3.5.3 Static Zone Configuration Register (SZCFGn)

The SZCFGn Register (where n = 0 or 1) is a word-wide, read/write register that controls the configuration of zone n. On reset, SZCFGn is initialized to 069Fh.

15	12	11	10	9	8
Reserved		FRE	IPRE	IPST	Res

7	6	5	4	3	2	0
BW	WBR	BRE	HOLD		WAIT	

Bits 2-0 - WAIT

- Number of TIW clock cycles that extend the bus cycle.
- 000: None
 - 001: One
 - 010: Two
 - 011: Three
 - 100: Four
 - 101: Five
 - 110: Six
 - 111: Seven

These bits are ignored when SZCFGn.FRE bit is 1.

Bits 4,3 - HOLD

- Number of T_{hold} clock cycles.
- 00: None
 - 01: One
 - 10: Two
 - 11: Three

These bits are ignored when SZCFGn.FRE bit is 1.

Bit 5 - Burst Read Enable (BRE)

- 0: Disabled
 - 1: Enabled
- This bit is ignored when SZCFGn.FRE bit is 1.

Bit 6 - Wait on Burst Read (WBR)

- WBR determines if a wait state is added on Burst Read transaction.
- 0: No TBW on burst read cycles
 - 1: TBW on burst read cycles
- This bit is ignored when SZCFGn.FRE bit is 1 or when SZCFGn.BRE is 0.

Bit 7 - Bus Width (BW)

- BW defines the width of the external bus used for the zone. BW is initialized during reset to its default value.
- 0: 8-bit bus
 - 1: 16-bit bus (default)

Bit 9 - Post Idle (IPST)

An idle cycle follows the current bus cycle, when the next bus cycle is in a different zone.

- 0: No idle cycle inserted
- 1: Idle cycle inserted

Bit 10 - Preliminary Idle ((IPR)

An idle cycle is inserted prior to the current bus cycle, when this bus cycle is in a new zone.

- 0: No idle cycle inserted
- 1: Idle cycle inserted

Bit 11 - Fast Read Enable (FRE)

FRE enables fast read bus cycles.

- 0: Fast read bus cycle disabled. Read bus cycle takes at least two clock cycles (i.e., Normal Read bus cycle).
- 1: Fast read bus cycle enabled. Read bus cycle takes one clock cycle.

3.6 USAGE HINTS

The following usage hints will help you configure the BIU to maximize PC87570 performance while avoiding contention on the data bus.

1. In IRE environment, the access time to the internal ROM can use zero wait and zero hold cycles, but not fast reads. Therefore, program SZCFG1 fields as follows: WAIT=000, HOLD=00, BRE=0, WBE=0, BW=1, FRE=0 (where BRE, WBE, BW and FRE are defaults).
2. To avoid data bus contention when a read bus cycle (no T_{hold} clock cycles) in one zone is followed by a read bus cycle in another zone, program IPST and IPRE in the different memory (I/O) zones as follows:

Environment	I/O Expansion	Configuration
IRE	Not used	Clear IPST and IPRE in all zones
IRE	Used	Clear IPST and IPRE in all zones, except IOCFG.IPST=1 (default)
Non-IRE	Don't care	Clear IPST and IPRE in all zones, except SZCFG1.IRE=1, SZCFG.IPST=1 and IOCFG.IPST=1 (defaults)

Note: When running boot code (zone 1) in IRE environment using the above configuration, performance is much more efficient than in non-IRE environments. However, this configuration is not valid in non-IRE environments.

4.0 On-Chip Memory

4.1 INTERNAL RAM

The PC87570 provides a 1024 byte on-chip RAM array.

A 16-bit wide data bus links the CompactRISC CR16A core and the system RAM array. Each system RAM read or write operation is one cycle long, and does not include any wait states.

4.2 INTERNAL ROM

In IRE environment, the PC87570 provides 2 Kbytes of internal ROM. It is 16 bits wide and can be accessed by byte or word transactions.

In IRE environment, internal ROM is used as the system's Base Memory. In IRD and Dev environments, off-chip Base Memory replaces the internal ROM to allow development of software and prototypes.

4.2.1 Access Times

The SZCFG1 (BIU zone 1 configuration) Register defines the number of cycles needed to access Base Memory. (See Section 3.5.3 on page 45 for further details.) The access time to the ROM can be as fast as zero wait and zero hold clock cycles, but fast reads cannot be used. To maximize on-chip ROM performance, see Section 3.6 on page 46.

The access time for internal ROM and off-chip Base Memory for read operations is the same. This allows cycle-by-cycle compatibility in all the operating environments.

4.2.2 ROM Shadow

After reset, the on-chip ROM can be accessed at two locations in the address map, starting from address 10000h and 00000h. The latter location, which is also referred to as the ROM shadow, holds the same information as that included in address 10000h. When the ROM shadow is turned off (MCFG.SHOFF=1), access to the ROM shadow is disabled; only access to the ROM starting from address 10000h is enabled. This also enables access to the External Memory.

The PC87570 reset routine should clear the shadow before attempting to access the External Memory. This should be done by jumping from the ROM shadow to the main copy and then setting MCFG.SHOFF.

5.0 Host Bus Interface (HBI)

The HBI facilitates the various data transfers required between the different modules of the system. It also arbitrates between host and CompactRISC CR16A accesses to shared resources: the memory device and the RTC/APC. Figure 5-1 shows a schematic diagram of the possible bus-to-bus bridging options.

The host bus is an 8-bit wide ISA-compatible bus. The PC87570 is accessed from the host bus as:

- a memory device when using the $\overline{\text{HMEMR}}$, $\overline{\text{HMEMW}}$ and $\overline{\text{HMEMCS}}$ signals, (to interface the external memory device, BIOS Flash).
- an I/O device when using the $\overline{\text{HIOW}}$, $\overline{\text{HIOR}}$ and $\overline{\text{HAEN}}$ signals, (to interface on-chip resident I/O devices)

The HBI allows the host and CR16A core to share the same Flash memory. In this way, only one memory device is needed for both the host system BIOS, and for the PC87570 code. Memories other than Flash may be used.

Both the host and the CR16A can access the three legacy I/O devices:

- The KBC, used for keyboard control, mouse and an auxiliary pointing device, at default host addresses 0060h and 0064h
- The Power Management (PM) device, at default host addresses 0062h and 0066h
- The RTC and APC (referred to in this chapter as the RTC/APC), at default host addresses 0070h and 0071h.

Data transfers to/from host or CR16A core can be implemented using polling or interrupt driven schemes. This enhances system performance and flexibility. The on-chip hardware is designed to allow a race-free interface for both these access paths.

5.1 FEATURES

- Memory device sharing between the host (BIOS) and the PC87570 firmware, for both read and write
- Direct support for an 8-bit ISA bus (host)
- PnP support
 - Host Device Enable (HDEN) strap input pin selects if the modules are disabled (default) or enabled after reset; software programmable enable/disable bits for each module
 - First enable using PnP escape sequence
 - Relocatable chip-configuration-base-address (Index/Data registers)
 - Default legacy addresses for each module, relocatable by software
 - Configuration lock bits for the chip-configuration-base-address and for each module
 - programmable IRQ polarity and output buffer type
- Three Host Interface channels, typically used for KBC, PM, and RTC/APC, as follows:
 - KBC
 - 8042-compatible KBC standard interface
 - Intel 8051SL compatible host interface
 - Standard IRQ1 (keyboard) and IRQ12 (mouse) may be operated by either hardware or firmware
 - Fast gate A20 and fast reset via firmware
 - Reset signal to the host on dedicated $\overline{\text{HRSTO}}$ pin; both hardware and software control
 - PM, (Power Management channel); interrupt IRQ11
 - RTC/APC, accessible from both the host and CR16A

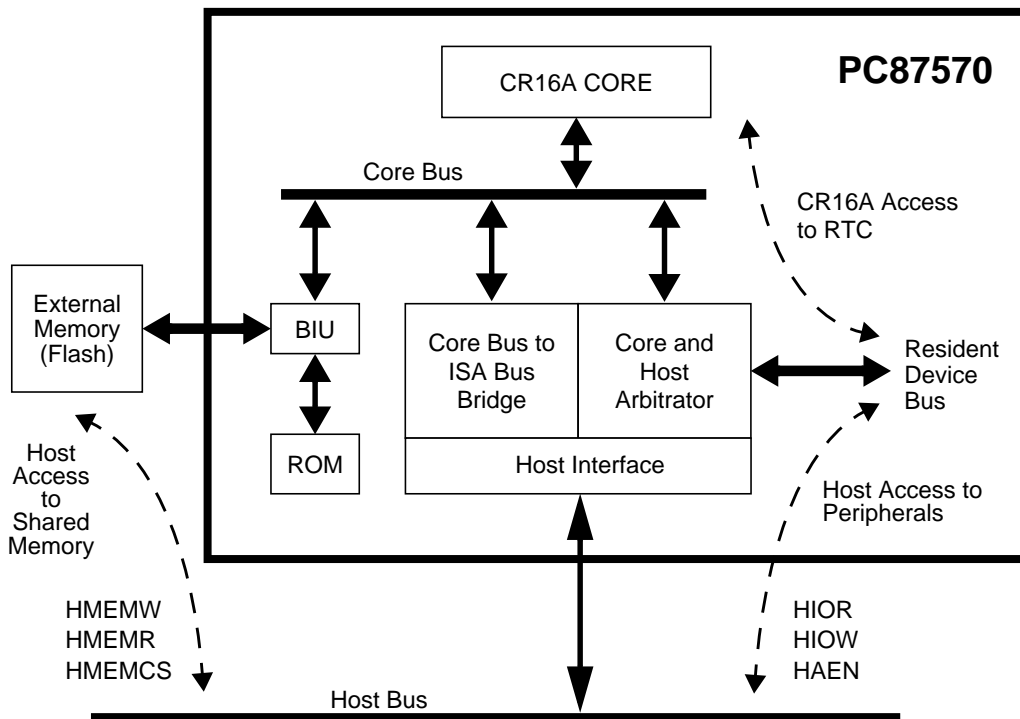


Figure 5-1. Host Bus Interface Schematic Diagram

5.2 HOST ACCESS TO SHARED MEMORY DEVICE

The PC87570 allows the host system BIOS and the CR16A firmware to share the same physical memory device. Typically, this memory is a Flash device to allow field upgrade of both programs.

5.2.1 Enabling Shared Memory Mode

The host interface to the shared memory device is enabled via the Shared BIOS Memory ($\overline{\text{SHBM}}$) strap pin, on power-up reset:

- When $\overline{\text{SHBM}}$ is low (0), shared memory is enabled. This is the default selected by the on-chip pull-down.
- When $\overline{\text{SHBM}}$ is high (1), the memory device is not shared. In this case, nine additional I/O port signals are available instead $\overline{\text{HMEMR}}$, $\overline{\text{HMEMW}}$, $\overline{\text{HMEMCS}}$, HA16-18 and A16-18 (see Section 2.5 for alternate function settings).

Setting $\overline{\text{SHBM}}$ is described in Section 2.7.

5.2.2 Memory Device Interface

The memory device is connected directly to the PC87570. The BIU arbitrates the usage of the memory. Different types of memory devices with different access times can be used by programming the BIU configuration registers (see Chapter 3).

5.2.3 Host Access to Shared Memory

The host can access the memory through the HBI, core bus and BIU. The PC87570 generates the memory control signals and bridges the address and data from the host bus to the memory bus. See "Block Diagram" on page 1.

The shared memory is accessed using host bus memory cycles. To read from the memory, the host asserts the $\overline{\text{HMEMR}}$ and $\overline{\text{HMEMCS}}$ signals. To write to the memory, it asserts the $\overline{\text{HMEMW}}$ and $\overline{\text{HMEMCS}}$ signals. The HBI identifies these commands, and requests control over the core bus to perform these read and write operations. During host access to the shared memory, the ISA bus cycle is extended using $\overline{\text{HIOCHRDY}}$ signal.

Host access to the shared memory can be completed only when the PC87570 is out of reset, in Active mode, and $\overline{\text{SHMEN}}$ and $\overline{\text{SHOFF}}$ in the MCFG Register are set (1). On power-up reset, the Host Reset Mode Select ($\overline{\text{HRMS}}$) strap pin determines the handling of accesses that cannot be completed, as follows (see also how to set $\overline{\text{HRMS}}$ in Section 2.4):

- When $\overline{\text{HRMS}}$ is low (0) and access to the shared memory is enabled ($\overline{\text{SHBM}}=0$), an access by the host to shared memory which the PC87570 cannot complete is extended by $\overline{\text{HIOCHRDY}}$ until the PC87570 completes the transaction (i.e., after reset, in Active mode, with $\overline{\text{SHMEN}}$ and $\overline{\text{SHOFF}}$ set).
- When $\overline{\text{HRMS}}$ is high (1) and access to the shared memory is enabled ($\overline{\text{SHBM}}=0$), an access by the host to shared memory which the PC87570 cannot complete causes the PC87570 to generate an active low host reset signal ($\overline{\text{HRSTO}}=0$). Reset ends when both $\overline{\text{HMEMR}}$ and $\overline{\text{HMEMW}}$ are inactive (high) and the PC87570 completes a host access. In this case, the PC87570 does not perform the bus cycle to memory.

Host Bus Memory Cycles

The host bus cycles are detailed in Section 19.5.2.

The host data bus is 8 bits wide. When the PC87570 uses a 16-bit wide Flash memory, the 8-bit read or write operation is directed to the lower (0 through 7) or higher (8 through 15) bits of the memory data bus, according to the host least significant address bit (HA0).

Host memory write operations are performed to a buffer in the PC87570. The actual write to the shared memory is executed only after the host write is completed. If the PC87570 is reset before this write is completed, data may not be written to memory.

5.3 CORE ACCESS TO RTC/APC

The CR16A can access the on-chip RTC/APC through a pair of registers, RTCCA and RTCCD. These two registers are the same Index and Data registers when accessed from the ISA bus at addresses 0070h and 0071h. See Section 5.12.1 for details.

5.3.1 Host and CR16A Arbitration over RTC/APC

Due to the indirect nature of RTC/APC access, the host software and the PC87570 firmware cannot access the RTC simultaneously. The host software and PC87570 firmware must communicate to prevent conflicts in RTC register usage. Without this communication, the host might set an index which the PC87570 changes before the host can access the RTC data. Also, this prevents interruption of certain RTC operations that require a sequence of bus operations. LKRTCHA in the CTS1 Register controls access to the RTC/APC, as follows:

- When LKRTCHA is cleared, access to the RTC registers by the host is enabled, while CR16A access to them is blocked (i.e., write operations are ignored and read operations return an unpredictable value).
- When LKRTCHA is set, CR16A access to the RTC registers is enabled, while any access to them by the host is blocked, (i.e., write operations are ignored and read operations return an unpredictable value).

The PC87570 firmware can access the RTC only while the PC87570 is in Active mode. To do so, it should use the following sequence:

1. After arbitrating the use of the RTC with the host, set LKRTCHA.
2. Read and save the RTC index (0070h) and the RTC bank selection.
3. To access locked memory locations in the RTC, set RTCMR in the CST1 Register to clear the RTC lock bits.
4. Access the RTC CMOS-RAM and its registers. To prevent conflicts with the host software, the firmware should not change any of the RTC volatile registers.
5. After RTC access has been completed:
 - Relock RTC memory if it was unlocked
 - Restore the RTC bank selection and the index value
6. Clear LKRTCHA to allow the host to access the RTC.

5.4 USAGE HINTS

5.4.1 Shared Memory

When using shared memory, the host should copy the BIOS program to RAM during the boot process. This prevents contention between the BIOS and PC87570 firmware.

5.4.2 Wake-Up from Host

When required, the host can switch the PC87570 to Active mode using the host interface ports. To wake-up the PC87570 to Active mode when the host accesses shared memory, configure the MIWU to enable shared memory wake-up inputs.

5.4.3 Host Power-on Indication

The input signals to PC87570 from the host bus are validated by the HPWRON input. The application should connect HPWRON pin to a circuit that guarantees that the signal becomes high only after the chipset (i.e., the device that drives the host bus controls) supply is stable. Also, it should become low before the chipset supply becomes unstable.

5.5 HOST ACCESS TO PC87570 RESIDENT I/O DEVICES

The PC87570 has three resident I/O devices: the KBC, the PM, and the RTC/APC channels. An additional channel is used for configuration (see Table 5-1. The host should use the HAEN, HIOR and HIOW signals to access the resident I/O devices.

5.5.1 Host Access to Configuration Registers

The host interface to the PC87570 I/O devices is controlled by the host configuration mechanism. This mechanism determines which device can be accessed and at which address. On reset, the legacy addresses are selected, and the devices may be enabled or disabled, depending on the HDEN strap input.

The CR16A firmware can define an additional address for the motherboard PnP sequence. This address must be defined before the host starts to access the PC87570. To define the address, the CR16A application code should program accordingly the HCFGBAH and HCFGBAL Registers, and set VHCFGA bit in the CST2 Register to validate the new address. The HCFGBAH and HCFGBAL Registers and VHCFGA can be locked (made read only) by setting HCFGLK bit in the CST2 Register. This bit is cleared during power-up and WATCHDOG reset. Once HCFGLK is set, the firmware cannot clear it.

5.5.2 Host Access to Resident I/O Devices

The host accesses the three legacy devices at the addresses defined in Table 5-1. (These addresses refer to host I/O space.) Since these devices are typically handled by the system BIOS, the default addresses are identical with the addresses of the legacy devices, and should not be altered. However, for special applications, I/O address mapping can be changed by reprogramming the internal chip select registers as detailed in Table 5-4. For simplicity, this document refers to the legacy addresses.

The PC87570 decodes the host interface 64 Kbyte I/O space using HA0-15 to identify the address of any one of the three devices and the configuration registers. When an access to a device address is identified and the device is enabled, an internal chip select signal is generated.

In addition to the chip select signal, the PC87570 uses HA0 to distinguish between the two RTC/APC registers, and HA2 to distinguish between the two registers of the KBC and PM ports.

Table 5-1. Host Interface Registers

Channel	Default Legacy Address	Type	Description	Host Register
Configura-tion	See Section 5.13	R/W	R/W	INDEX
		R/W	R/W	DATA
Keyboard and Mouse	0060h	R	Data	DBBOUT
		W	Data	DBBIN
	0064h	R	Status	STATUS
		W	Command	DBBIN
Power Management	0062h	R	Data	DBBOUT
		W	Data	DBBIN
	0066h	R	Status	STATUS
		W	Command	DBBIN
RTC and APC	0070h	R/W	Index	INDEX
	0071h	R/W	Data	DATA

5.5.3 Host Bus I/O Cycles

The bus cycle and its detailed timing are described in Figures 19-16 on page 150 and 19-17 on page 151.

5.6 KBC CHANNEL

The host interface of the PC87570 is compatible with the legacy 8042 host interface. It is based on two registers: Command/Status and Data. The host interface logic generates interrupts to the host and CR16A according to the status of the input and output data buffers. Figure 5-2 provides a schematic description of the host interface KBC channel.

The KBC channel hardware consists of three registers:

- Status Register, which can be read by both the CR16A and the host, and written to by the CR16A
- Data Out (DBBOUT) Register, which can be written to by the CR16A and read by the host
- Data In (DBBIN) Register, which can be written to by the host and read by the CR16A

5.6.1 Status Register

The status of the KBC data buffers can be read by both the host and the CR16A. Bits 2 and 4-7 can be written to by the CR16A. Bits 0, 1 and 3 are controlled by the hardware to indicate the DBBIN and DBBOUT registers status. The host should read address 64h to obtain the contents of the Status register. The CR16A should read/write the HIKMST Register to access the same information. The format of the Status Register is identical for both the host and the CR16A (see Section 5.12.8).

5.6.2 DBBOUT Register

The CR16A writes to the DBBOUT Register when it needs to send data to the host. When OBF in the HIKMST Register is set, it indicates that data is available in DBBOUT. DBBOUT should be written by the firmware running on the CR16A only when this bit is cleared.

The PC87570 supports polling and interrupt communication schemes with the host. Both keyboard interrupt (IRQ1) and mouse interrupt (IRQ12) schemes are supported.

The CR16A firmware writes data addressed to the keyboard driver (i.e., generates IRQ1) to the HIKDO Register. A write to HIKDO stores the data in DBBOUT and sets OBF in the HIKMST Register. If IRQ1 interrupt is enabled (OBFKIE in the HICTRL Register is set), this is also sent according to the interrupt mode (IRQM and IRQNPOL in the HIIRQC Register).

The CR16A firmware writes data addressed to the mouse driver (i.e., generates IRQ12) to the HIMDO Register. A write to HIMDO stores the data in DBBOUT and sets OBF in the HIKMST Register. If IRQ12 interrupt is enabled (OBFMIE in the HICTRL Register is set), this is also sent according to the interrupt mode (IRQM and IRQNPOL fields in HIIRQC register).

5.6.3 DBBIN Register

The data buffer has two latches: one serves as an input buffer and the other as an output buffer. When writing to address 60h or address 64h, data is written to the DBBIN Register. HA2 of the host address is latched in the Status Register to identify which address was written to. When the host writes to DBBIN, IBF in the Status Register is set.

The CR16A can identify that data is present in the input buffer by either polling IBF or acknowledging an interrupt when IBFCIE in the HICTRL Register is enabled.

When the input buffer is identified as full, the Status Register should be read (A2 in the HIKMST Register) to determine which address was written to. The CR16A can then read the data from the input buffer (the HIKMDI Register). IBF is cleared when the data input buffer is read by the CR16A.

The host identifies the presence of data in the output buffer by either polling the Status Register (reading address 64h) or by responding to IRQ1 or IRQ12. The host can read data using a read operation from address 60h. This clears the OBF in the HIKMST Register. In addition, when the host interrupt is in level mode (IRQM in the HIIRQC Register is 0) and the hardware interrupt is enabled, IRQ1 or IRQ12 is deasserted (low if IRQNPOL in the HIIRQC Register is 0).

The CR16A can read OBF to identify when the output buffer is empty and ready for new data to be transferred. When the output buffer full interrupt to the core is enabled (OBECIE in the HICTRL Register is 1), the interrupt signal to the ICU is set high if OBF is set to 0.

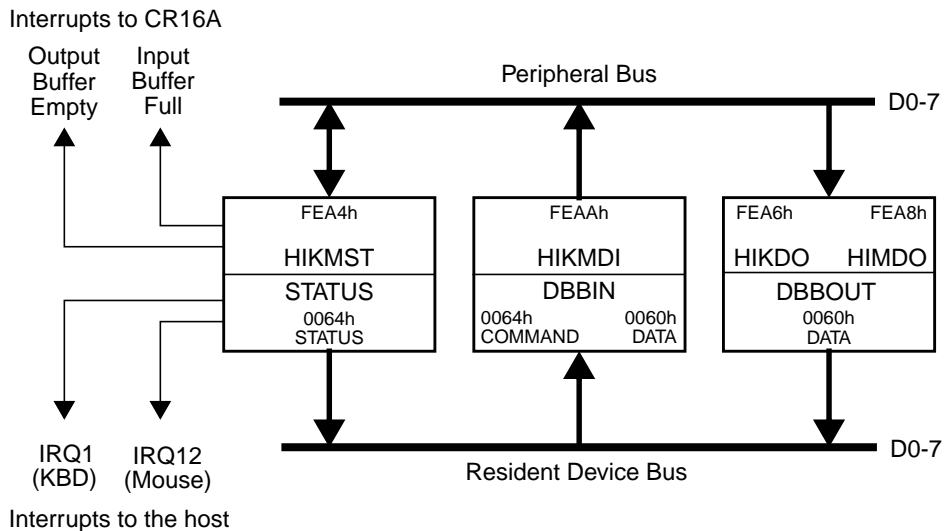


Figure 5-2. KBC Channel

5.7 PM CHANNEL

The PM channel structure is almost identical to the structure of the PS/2 channel (see Figure 5-3), with two differences: their addresses; the PM channel generates only one interrupt to the host.

The host interface of the PM function is compatible with 8051SL interface. Its structure and operation are similar to those of the KBC channel., with the following differences:

- Host addresses at 62 and 66 (default)
- One IRQ issue (IRQ11) on output buffer full
- The core has one address for the output buffer

Control bits and interrupts are separated by different names (see Figure 5-3 and register descriptions).

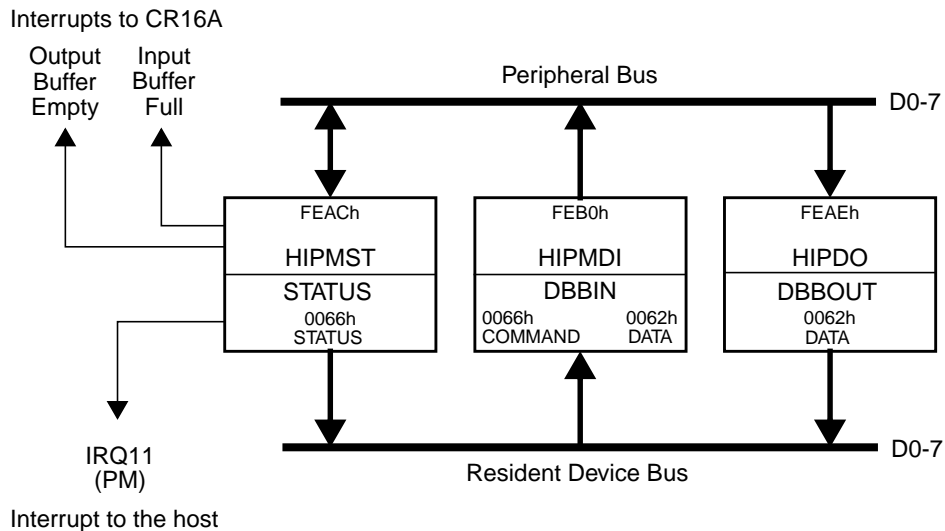


Figure 5-3. PM Channel

5.8 RTC/APC CHANNEL

The RTC/APC channel enables communication with this module from both the host and the CR16A by using an Index and Data register pair. Upon reset, the host can access these registers at 0070h and 0071h. For more information, please refer to Section 6.2.1.

5.9 CR16A INTERRUPTS

The host interface generates four level interrupts to the ICU. These can be used by the firmware for an interrupt driven control of the KBC and/or PM channels.

5.10 HOST INTERRUPTS

The HBI supports four interrupts to the host:

- Keyboard interrupt, IRQ1
- Mouse interrupt, IRQ12
- PM interrupt, IRQ11
- RTC/APC interrupt, $\overline{\text{IRQ8}}$

These interrupts may be controlled by the hardware according to the status of the host interface buffers or when the PC87570 firmware toggles the bit value.

When IRQ1, IRQ12 and/or IRQ11 are disabled (OBFKIE, OBFMIE and/or PMHIE in the HICTRL Register are cleared), the firmware can control the IRQ1, IRQ12 and IRQ11 signals by writing to the signal's respective bit in the HIIRQC Register. When IRQ1, IRQ12 and/or IRQ11 are controlled by hardware (OBFKIE, OBFMIE and/or PMHIE in

the HICTRL Register are set to 1), interrupt to the host is generated according to the status of OBF in the HIKMST Register.

In normal polarity mode (IRQNPOL in the HIIRQC Register is 0), the PC87570 supports two types of interrupts: edge or level. When an edge interrupt is selected (IRQM in the HIIRQC Register is not 0), the interrupt signal default value is high (1). When an interrupt signal needs to be sent (i.e., the corresponding OBF flag is set), a negative pulse is generated. The pulse width is determined by IRQM.

When a level interrupt is selected, (IRQM in the HIIRQC Register is 0), the interrupt signal is usually low (0) and is asserted (1) to indicate that the respective OBF flag is set. The signal is de-asserted (0) when the output buffer is read (i.e., the corresponding OBF flag is cleared).

Note that IRQ1 and IRQ12 have the same OBF flag but are asserted separately. Either IRQ1 or IRQ12 is set, depending on the internal register written (HIKDO or HIMDO, respectively).

In negative polarity mode (when IRQNPOL of the HIIRQC Register is set to 1), the IRQ signal behavior is exactly opposite from normal polarity mode.

The PC87570 firmware can read IRQ1, IRQ12 and IRQ11 pins' value by performing a read operation from IRQ1B, IRQ12B and IRQ11B in the HIIRQC Register.

5.10.1 IRQ1, IRQ12 and IRQ11 and IRQ8 Buffers

The PC87570 drives the IRQ pins (IRQ1, IRQ12 and IRQ11) using either open drain or push-pull buffers. The buffer type is configured by PSPE in the HIIRQC Register. When used as open drain, an external pull-up resistor is required to pull the signal high.

When the IRQE Register is set to disable IRQ1, IRQ12, IRQ11, or IRQ8, its respective pin is put into TRI-STATE, overriding any other settings in the host interface.

Figure 5-4 illustrates the effect of the different control bits on the IRQ signals.

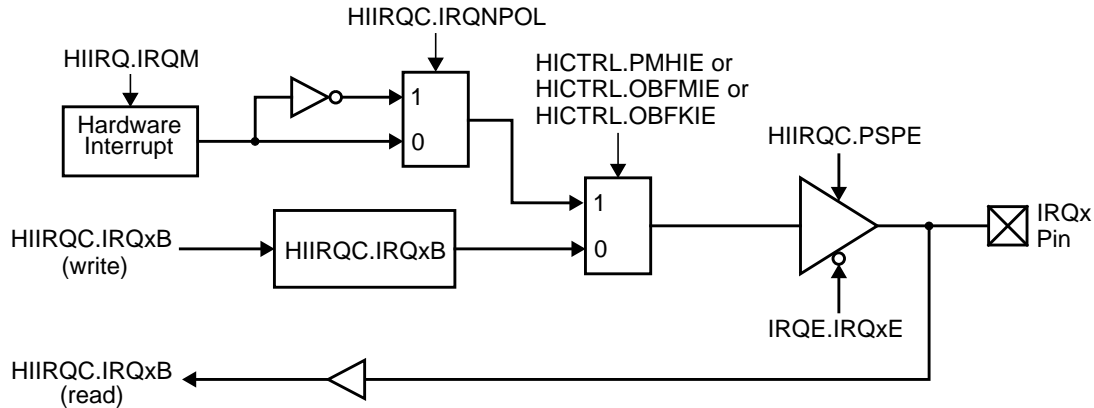


Figure 5-4. IRQ1, IRQ12 or IRQ11 Control

5.11 SYSTEM CONSIDERATIONS

5.11.1 Reset Configuration

During reset, the host configuration channel is initialized to its default state, as follows:

- The modules' address registers are initialized to the device legacy address.
- The Function Enable Register is initialized according to the HDEN strap input.
- Access to the chip base address configuration Index and Data Registers is disabled.
- A motherboard PnP escape sequence is enabled.
- Configuration lock bits are cleared.

5.11.2 Host Power-On (HPWRON) Indication Input

The PC87570 can operate when the host power is disconnected. In this case, the signals from the host may present undefined states to the PC87570. A special input pin, HPWRON, enables the PC87570 to check the host power supply state and prevent errors caused when the supply is not active.

When HPWRON is low, all the host interface inputs are ignored and all outputs are either TRI-STATE or forced low, according to their reset values. See "Basic Configuration" on page 3.

When HPWRON is high, the PC87570 responds to host bus cycles and outputs signals to it.

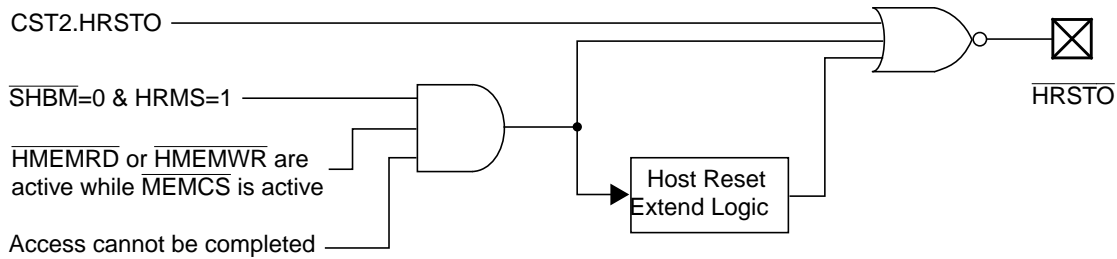
5.11.3 Host Master Reset (HMR) Input

The PC87570 is reset by an internal reset signal generated on the rising edge of its power supply. The chip is also reset on the rising edge of the HMR pin. See more details in Section 2.3.4.

5.11.4 Host Reset Output (HRSTO) from PC87570

HRSTO is one of the sources for host soft reset commands (i.e., INIT input in the x86 processors). See Figure 5-5. The host is reset when the HRSTO output is low. A reset command is issued by the PC87570 when:

- Hardware: Strap input $\overline{HRMS}=1$, shared memory is enabled ($\overline{SHBM}=0$) and accessed while the PC87570 cannot complete the memory access. In this case, the reset lasts until the PC87570 completes shared memory access, and \overline{HMEMRD} and \overline{HMEMWR} are inactive. After power-up reset, the HRSTO is inactive (high). HRSTO is automatically active (low) while HPWRON is low.
- Software: The CR16A firmware can issue a reset command to the host by writing 1 to HRSTO in the CST2 Register. The reset to the host ends by writing 0 to this bit.

Figure 5-5. $\overline{\text{HRSTO}}$ Generation Scheme

5.11.5 $\overline{\text{HDEN}}$ Strap

The HDEN strap input pin defines if the legacy devices within the PC87570 are accessible from the host after reset, or if the host must enable access to them. This impacts the KBC, the PM, and the RTC/APC. Access to the shared memory is not affected by this strap.

$\overline{\text{HDEN}}$ is sampled on power-up reset (see Section 2.4), but it sets the host configuration default value on any reset.

When HDEN is low (0), the HBI is disabled and must be enabled using the motherboard PnP protocol.

When HDEN is high (1), the HBI is enabled with its default legacy addresses.

5.11.6 GA20 Pin Functionality

The GA20 (Gate Address A20) is intended to implement the memory management in a PC architecture. This allows the access to the extended memory needed by the operating system. In PC87570, the GA20 function is implemented by a port used as an output. Port PB5 is recommended to be used as GA20 since its default state after reset is output driving high. The firmware running on the CR16A may change the GA20 pin state by modifying the PBDOOUT register, bit 5. There is no special hardware or multiplexing on this pin. Since there is no multiplexing, the PBALT bit 5, is always 0, and any writes to it are disregarded. The pin may be used as a GPIO. However, please note that this pin wakes up differently than the other seven pins in the same port, which are waking up as inputs.

5.11.7 Host Driven Wake-Up

When the PC87570 is in Idle mode, it will wake-up to Active mode in response to an access on the host interface bus. A wake-up event is sent to the MIWU (WUI26) in any of the following cases:

- Either $\overline{\text{HMEMWR}}$ or $\overline{\text{HMEMRD}}$ is active, together with $\overline{\text{HMEMCS}}$
- Either $\overline{\text{HIORD}}$ or $\overline{\text{HIOWR}}$ is active, and the host accesses an enabled device at its valid address (i.e., either KBC, PM, RTC, APC or the host configuration registers).

5.11.8 APC-ON and APC-OFF Events

The APC sends APC-ON to indicate a wake-up request, and APC-OFF to indicate an off command from the host. The APC-OFF event is enabled using APCOFFE in the CST2 Register. To disable APC-OFF, clear this bit (and not the MIWU Enable bit).

5.12 HBI REGISTERS ACCESSED BY CR16A

The PC87570 has 15 CR16A-accessed registers that control the host interface channel, listed with their addresses in Table 5-2.

Table 5-2. HBI Registers Accessed by CR16A

Mnemonic	Register Name	Address
CST1	Control and Status Register 1	F900h
CST2	Control and Status Register 2	F902h
RTCCA	RTC Core Address Register	F904h
RTCCD	RTC Core Data Register	F906h
HCFGBAL	Host Configuration Base Address Low	F908h
HCFGBAH	Host Configuration Base Address High	F90Ah
HICTRL	Host Interface Control Register	FEA0h
HIIRQC	Host Interface IRQ Control Register	FEA2h
HIK MST	Host Interface KBC Status Register	FEA4h
HIKDO	Host Interface Keyboard Data Out Buffer Register	FEA6h
HIMDO	Host Interface Mouse Data Out Buffer Register	FEA8h
HIKMDI	Host Interface KBC Data In Buffer Register	FEAAh
HIPMST	Host Interface PM Port Status Register	FEACh
HIPMDO	Host Interface PM Data Out Buffer Register	FEAEh
HIPMDI	Host Interface PM Data In Buffer Register	FEB0h

5.12.1 Control and Status Register 1 (CST1)

The CST1 Register is a byte-wide, read/write register. It allows the CR16A core to control the host and CR16A arbitrator operation. On reset, bits 0, 1 and 2 of are cleared to 0.

7	6	5	4	3	2	1	0
Res		HMRA	HPWRON	RTCLV	RTCMR	LKRTCHA	

Bit 0 - Lock RTC Host Access (LKRTCHA)

The HBI arbitrates the usage of the RTC between the host and CR16A. In case of a conflict, the later of the two transactions is placed on wait by extending it until the completion of the prior one. The HIOCHRDY signal is used to extend the host bus transaction.

- 0: Disables CR16A access to RTCCA and RTCCD registers located at core addresses defined in Table 5-2 on page 54;
Enables host access to the RTC registers located at host addresses defined in Table 5-4 on page 61, Registers RTCCSAH/L.
- 1: Enables CR16A access to the RTCCA and RTCCD Registers;
Disables host access to RTC registers

Bit 1 - RTC Master Reset (RTCMR)

The CR16A firmware may use this bit to override the RTC CMOS-RAM protections set by the host at the RLR register located at Bank 2 of the RTC/APC. See Chapter 6, Section 6.6.4. The CR16A firmware can write a 1 to this bit to generate a reset pulse to the RTC. Since this reset pulse only affects the RLR register, it will release the RTC memory protection mechanisms, and will enable the CR16A access to the protected memory. If this feature is used, the CR16A firmware should store the RLR register value before resetting it and restore its value before it returns the control of the RTC to the host. This bit is automatically cleared by the hardware once the reset pulse is completed. Writing 0 to this bit has no effect.

Bit 2 - RTC Lock Violation (RTCLV)

RTCLV is set when the host makes an attempt to access the RTC while the LKRTC bit is set. Writing 1 to RTCLV clears it. Writing 0 to RTCLV has no effect.

Bit 3 - Host Power On (HPWRON)

This bit allows the firmware to monitor the current status of the HPWRON input pin (Host Power-on). This bit is read only. Data written to it is ignored.

Bit 4 - Host Master Reset Active (HMRA)

This bit allows the firmware to monitor the current status of the HMR input pin (Host Master Reset). This bit is read only. Data written to it is ignored.

5.12.2 Control and Status Register 2 (CST2)

The CST2 Register is a byte-wide, read/write register. It allows the CR16A to control configuration register operation and the APC-OFF event. On reset, bits 0, 1 and 3 are cleared to 0. During power-up or WATCHDOG reset, bit 2 is also cleared.

7	6	5	4	3	2	1	0
Res		APCOFFE	HCFGLK	VHCFGA	HRSTOB		

Bit 0 - Host Reset Out (HRSTO)

Enables the PC87570 to generate a host soft reset via firmware, using the HRSTO pin. The pin is held low (reset is active) for as long this bit 1. See also Figure 5-5 on page 54

- 0: De-asserts (high) the $\overline{\text{HRSTO}}$ signal (unless reset is extended via its other sources).
- 1: Asserts (low) the $\overline{\text{HRSTO}}$ output.

Bit 1 - Valid Host Configuration Address (VHCFGA)

This bit is set by a write to the HCFGBAH Register, as detailed in the update sequence in Section 5.12.5. It may be cleared by the firmware by writing 1 to it. Writing 0 to it is ignored. This bit can be locked and made read only, by setting HCFGLK (bit 2 below).

The address in the HCFGBAL and HCFGBAH Registers is sampled during the first PnP sequence (at the first write); any subsequent changes to this register are ignored. See Figure 5-7 on page 59.

- 1: Address stored in HCFGBAL and HCFGBAH Registers is valid
- 0: Address stored in HCFGBAL and HCFGBAH Registers is invalid, and is ignored during the PnP configuration sequence.

Bit 2 - Host Configuration Address Lock (HCFGLK)

HCFGLK is cleared during power-up and WATCHDOG reset, but is unchanged during warm reset (HMR). Once written 1, this bit becomes read only, and cannot be cleared by the firmware.

- 0: Configuration base address may be changed (i.e., writing to VHCFGA (bit 1) and HCFGBAL and HCFGBAH Registers is enabled).
- 1: VHCFGA (bit 1) and HCFGBAL and HCFGBAH Registers are locked, and become read only. Data written to them is ignored.

Bit 3 - APC-OFF Event Enable (APCOFFE)

This bit controls the routing of the APC-OFF event to iCU and MIWU. See also Table 9-2 and Table 10-1.

- 0: Disables the APC-OFF event so that it cannot interrupt the PC87570. APC-OFF events that are detected while this bit is cleared are ignored by the MIWU.
- 1: Enables the APC-OFF event from the RTC/APC to reach the MIWU and iCU.

5.12.3 RTC Core Address Register (RTCCA)

The RTCCA Register is a byte-wide, read/write register. A write to this register writes the RTC Address Register. A read from this bit reads the RTC Address Register. This register should be accessed by the PC87570 firmware, only

when LKRTCHA in the CST1 Register is set. This register actually access the Index Register located at host default address 0070h.

7	6	5	4	3	2	1	0
MSB	RTC Address						LSB

5.12.4 RTC Core Data Register (RTCCD)

The RTCCD Register is a byte-wide, read/write register. A write to this register writes the RTC Data Register. A read from this bit reads the RTC Data Register. This register should be accessed by the PC87570 firmware, only when LKRTCHA in the CST1 Register is set. This register actually access the Data Register located at host default address 0071h.

7	6	5	4	3	2	1	0
MSB	RTC Data						LSB

5.12.5 Host PnP Initial Configuration Base Address Low and High Registers (HCFGBAL/H)

Both HCFGBAL and HCFGBAH are byte-wide, read/write registers. HCFGBAL holds the least significant byte of a host motherboard PnP initial configuration address, and HCFGBAH holds the most significant byte. The contents of HCFGBAH and HCFGBAL do not change during a warm reset (HMR).

Data written to this register pair can be used to select the PC87570 during the host motherboard PnP configuration sequence. Data is considered valid (and is used for address compare) only when VHCFGA in the CST2 Register is set.

To update the host initial PnP configuration address proceed as follows:

1. Clear VHCFGA in the CST2 Register.
2. Write the lower byte of the address to HCFGBAL.
3. Write the higher byte of the address to HCFGBAH.
4. After the write to HCFGBAH is completed, the hardware automatically sets the VHCFGA bit in the CST2 Register.

On power-up and WATCHDOG reset, this register is undefined. When HCFGLK in the CST2 Register is set, it locks the current setting of HCFGBAL and HCFGBAH.

7	6	5	4	3	2	1	0
A7	Host PnP Address Low						A0

7	6	5	4	3	2	1	0
A15	Host PnP Address High						A8

5.12.6 Host Interface Control Register (HICTRL)

The HICTRL Register is a byte wide, read/write register, used in setting host interface mechanism options. On reset, non-reserved bits of HICTRL are cleared.

7	6	5	4	3	2	1	0
Res	PMICIE	PMECIE	PMHIE	IBFCIE	OBECIE	OBFMIE	OBFKIE

Bit 0 - Output Buffer Full Keyboard Interrupt Enable (OBFKIE)

- 0: IRQ1 interrupt signal is controlled by IRQ1B bit in the HIIRQC Register
- 1: Enables Output Buffer Full interrupt to the keyboard driver of the host (IRQ1). The interrupt is triggered by the CR16A write to the HIKDO Register. The interrupt is sent according to IRQM and IRQNPOL bits in the HIIRQC Register.

Bit 1 - Output Buffer Full Mouse Interrupt Enable (OBFMIE)

- 0: IRQ12 interrupt signal is controlled by IRQ12B bit in the HIIRQC Register
- 1: Enables Output Buffer Full interrupt to the mouse driver in the host (IRQ12). The interrupt is triggered by the CR16A write to the HIMDO Register. The interrupt is sent according to IRQM and IRQNPOL bits in HIIRQC register.

Bit 2 - Output Buffer Empty Core Interrupt Enable (OBECIE)

- 0: Interrupt signal low
- 1: Enables Output Buffer Empty interrupt to the CR16A ICU, for the KBC channel. The interrupt signal is active when the output buffer is empty (i.e., the interrupt signal is set (1) when OBF bit of the HIKMST Register is cleared).

Bit 3 - Input Buffer Full Core Interrupt Enable (IBFCIE)

- 0: Interrupt signal low
- 1: Enables Input Buffer Full interrupt to the CR16A ICU, for the KBC channel. The interrupt signal is active when the input buffer is full; the interrupt signal is set (1) when IBF bit of the HIKMST register is set.

Bit 4 - PM Host Interrupt Enable (PMHIE)

- 0: IRQ11 interrupt signal is controlled by IRQ11B bit in the HIIRQC Register
- 1: Enables output buffer full interrupt to the PM driver in the host (IRQ11). The interrupt is triggered by a CR16A write to the HIPMDO Register. The interrupt is sent according to IRQM and IRQNPOL in the HIIRQC Register.

Bit 5 - PM Output Buffer Empty Core Interrupt Enable (PMECIE)

- 0: Interrupt signal low
- 1: Enables PM output buffer empty interrupt to the CR16A ICU, for the PM channel. The interrupt signal is active when the output buffer is empty (when OBF bit of the HIPMST register is cleared).

Bit 6 - PM Input Buffer Full Core Interrupt Enable (PMICIE)

- 0: Interrupt signal low
- 1: Enables PM input buffer full interrupt to the CR16A ICU, for the PM channel. The interrupt signal is active when the input buffer is empty (when IBF bit in the HIPMST Register is set).

5.12.7 Host Interface IRQ Control Register (HIIRQC)

The HIIRQC Register is a byte wide, read/write register. It controls the IRQ signals mode of operation. On reset, HIIRQC is preset to 07h.

7	6	5	4	3	2	1	0
PSPE	IRQNPOL	IRQM		IRQ11B	IRQ12B	IRQ1B	

Bit 0 - Host Interrupt Request 1 Control (IRQ1B)

When the IRQ1 signal is configured for direct control by the firmware (OBFKIE in the HICTRL Register is 0), this bit directly controls the state of IRQ1 pin. When read, IRQ1B returns the current value of the IRQ1 pin, which can be read regardless of the state of OBFKIE.

Bit 1 - Host Interrupt Request 12 Control (IRQ12B)

When the IRQ12 signal is configured for direct control by the firmware (OBFMIE in the HICTRL Register is 0), this bit directly controls the state of IRQ12 pin. When read, IRQ12B returns the current value of the IRQ12 pin, which can be read regardless of the state of OBFMIE.

Bit 2 - Host Interrupt Request 11 Control (IRQ11B)

When the IRQ11 signal is configured for direct control by the firmware (PMHIE in the HICTRL Register is 0), this bit directly controls the state of IRQ11 pin. When read, IRQ11B returns the current value of the IRQ11 pin, which can be read regardless of the state of PMHIE.

Bits 5-3 - IRQ Mode (IRQM)

Sets the hardware controlled IRQ signals to work in level or pulse mode and defines the pulse width in the pulse modes.

When $IRQM = 000_2$, the IRQ signals function in a level mode. In this mode when IRQNPOL bit below is 0, the IRQ signals default value is low, and a high level is set to issue an interrupt (the respective OBF is set).

When $IRQM \neq 0$, the host interrupts are in pulse mode. When IRQNPOL bit below is 0, the IRQ signals default value is high, and it toggles low to issue an interrupt (i.e., when the respective output buffer register is written). See Table 5-3 for the pulse widths.

Table 5-3. IRQM Pulse Modes

IRQM	Mode
000_2	Level Interrupt
001_2	1-cycle Pulse
010_2	2-cycle Pulse
011_2	4-cycle Pulse
100_2	8-cycle Pulse
101_2	16-cycle Pulse
Other	Reserved

Bit 6 - IRQ Negative Polarity (IRQNPOL)

- 0: IRQ signal (IRQ1, IRQ11, IRQ12) polarity is compatible with the standard ISA bus interface.
- 1: When hardware IRQ generation is enabled (when OBFKIE, OBFMIE or PMHIE for IRQ1, IRQ12 or IRQ11, respectively in the HICTRL Register are set), the interrupt output is inverted.

Bit 7 - Push Pull Enable (PSPE)

- 0: IRQ signals (IRQ1, IRQ11 and IRQ12) output drivers are open drain type. Therefore, when an output logic is 0, the signal is pulled low; when output logic is 1, the signal is floating and its level is set by the system. External pull-up resistors should be used.
- 1: IRQ signals drivers are full push-pull drivers. Therefore, the PC87570 drives the signals for both low and high levels.

5.12.8 Host Interface KBC Status Register (HIKMST)

The HIKMST Register is a byte wide, read/write register. It provides the status of the host interface keyboard channel buffers (DBBIN and DBBOUT) and a means for the PC87570 to send status bits to the host. This register can also be read by a host read operation from address 64h. HIKMST is cleared (00h) on reset.

7	6	5	4	3	2	1	0
ST3	ST2	ST1	ST0	A2	F0	IBF	OBF

Bit 0 - Output Buffer Full (OBF)

This bit is a read only bit and is ignored when writing to this register.

- 0: Host reads from the KBC channel output buffer (60h)
- 1: KBC channel's DBBOUT is written by the CR16A (writing to the HIKDO or HIMDO Registers)

Bit 1 - Input Buffer Full (IBF)

This bit is a read only bit and is ignored when writing to this register.

- 0: CR16A reads input buffer (HIKMDI Register)
- 1: KBC channel's DBBIN is written by the host (writing to either address 60h, data, or address 64h, control) T

Bit 2 - Flag 0 (F0)

A general-purpose flag that can be set or cleared by the CR16A firmware.

Bit 3 - A2 Address (A2)

Holds the value of the HA2 line in the last write operation of the host to the KBC channel's input buffer (i.e., indicates HA2 value during write to address 60h or 64h). This bit is a read only bit and is ignored when writing to this register.

Bits 7-4 - Status Bits 0-3 (ST0-3)

Four general-purpose flags that can be set or cleared by the CR16A firmware.

5.12.9 Host Interface Keyboard Data Out Buffer Register (HIKDO)

The HIKDO Register is a byte wide, write only register. It allows the CR16A firmware to write to the DBBOUT Register, while setting OBF in the HIKMST Register. If enabled, IRQ1

interrupt is sent at that time. If the CR16A interrupt on output buffer empty is enabled (OBECIE in the HICTRL Register is 1), writing to HIKDO de-asserts it (low).

7	6	5	4	3	2	1	0
MSB	Keyboard Channel DBBOUT Data						LSB

5.12.10 Host Interface Mouse Data Out Buffer Register (HIMDO)

The HIMDO Register is a byte wide, write only register. It allows the CR16A firmware to write to the DBBOUT register, while setting OBF in the HIKMST Register. If enabled, IRQ12 interrupt is sent at that time. If the CR16A interrupt on output buffer empty is enabled (OBECIE in the HICTRL Register is 1), writing to HIMDO de-asserts it (low).

7	6	5	4	3	2	1	0
MSB	Mouse Channel DBBOUT Data						LSB

5.12.11 Host Interface KBC Data In Buffer Register (HIKMDI)

The HIKMDI Register is a byte wide, read only register. It allows the CR16A firmware to read from the DBBIN Register, while clearing IBF in the HIKMST Register. If the CR16A interrupt on IBF is enabled (IBFCIE in the HICTRL Register is 1), reading from HIKMDI de-asserts it (low).

7	6	5	4	3	2	1	0
MSB	KBC Channel DBBIN Data						LSB

5.12.12 Host Interface PM Port Status Register (HIPMST)

The HIPMST Register is a byte wide, read/write register. It provides the status of the host interface PM channel buffer registers (DBBIN and DBBOUT) and a means for the PC87570 to send data to the host status bits. This register is read by a host read operation from address 66h. HIPMST is cleared (00h) on reset.

7	6	5	4	3	2	1	0
ST3	ST2	ST1	ST0	A2	F0	IBF	OBF

Bit 0 - Output Buffer Full (OBF)

This bit is a read only bit and is ignored when writing to this register.

- 0: Host reads from the output buffer (62h)
- 1: PM channel's DBBOUT is written by the CR16A (writing to the HIPMDO Register)

Bit 1 - Input Buffer Full (IBF)

This bit is a read only bit and is ignored when writing to this register.

- 0: CR16A core reads from the PM input buffer (HIPMDI Register)
- 1: PM channel's DBBIN is written by the host (writing to either address 62h or address 66h)

Bit 2 - Flag 0 (F0)

A general-purpose flag that can be set or cleared by the CR16A firmware.

Bit 3 - A2 Address (A2)

Holds the value of the A2 line in the last write operation of the host to the PM channel's input buffer (indicates A2 value during write to address 62h or 66h). This bit is a read only bit and is ignored when writing to this register.

Bits 7-4 - Status Bits 0-3 (ST0-3)

Four general-purpose flags that can be set or cleared by the CR16A firmware.

5.12.13 Host Interface PM Data Out Buffer Register (HIPMDO)

The HIPMDO Register is a byte wide, write only register. It allows the CR16A firmware to write to the PM port DBBOUT Register, while setting OBF in the HIPMST Register. If enabled, IRQ11 interrupt is sent at that time. If the CR16A interrupt on PM port output buffer empty is enabled (PMECIE in the HICTRL Register is1), writing to HIPMDO de-asserts it (low).

7	6	5	4	3	2	1	0
MSB	PM Channel DBOUT Data						LSB

5.12.14 Host Interface PM Data In Buffer Register (HIPMDI)

The HIPMDI Register is a byte wide, read only register. It allows the CR16A firmware to read to the PM port DBBIN Register, while clearing IBF in the HIPMST Register. If the CR16A interrupt on power Host Bus Interface and SIB Bus Controller management port IBF is enabled (PMICIE in the HICTRL Register is1), reading from HIPMDI de-asserts it (low).

7	6	5	4	3	2	1	0
MSB	PM Channel DBBIN Data						LSB

5.13 HOST CHANNEL CONFIGURATION

The PC87570's host channel is configurable using a motherboard PnP protocol. The default configuration is set on reset, and the host can change it through this protocol.

5.13.1 Chip Base Address Initial Setting

The motherboard PnP protocol described in this section is used for changing the configuration registers addresses. This protocol must be used after reset to enable access to the configuration registers.

While the PnP protocol is in process, CPU interrupts must be disabled.

1. On reset, the chip writes a value of 6Ah to the 8-bit Linear Feedback Shift Register (LFSR). See Figure 5-6. The feedback taps (values) for this shift register are taken from bits 1 and 0 of the LFSR Register.
2. Use software to write an initiation key, to a single write-only I/O port, at addresses 0279h, 03BDh, 03F0h or an address defined by HCFGBAH and HCFGBAL Registers (if enabled).

Addresses 0279h, 03BDh and 03F0h do not conflict with any already defined base addresses of ISA functions. All write operations should be to the same I/O port. In legacy devices, these same ports are read only. The HCFGBAH and HCFGBA Register pair is updated by the CR16A firmware after power-up or WATCHDOG reset. On power-up it is undefined, and the firmware

may load it with an address and lock it against any further writes. This guarantees that the address does not change due to a software bug.

The initiation key contains a series of 32 values. The first 30 values match 30 values that the LFSR Register generates, starting from 6Ah. To avoid conflict with other devices that use PnP ISA Specification 1.0a, the last two values must be 00h.

The values in the initiation key, in hexadecimal notation, reading from left to right and top to bottom, must be:

6A, B5, DA, ED, F6, FB, 7D, BE,
 DF, 6F, 37, 1B, 0D, 86, C3, 61,
 B0, 58, 2C, 16, 8B, 45, A2, D1,
 E8, 74, 3A, 9D, CE, E7, 00, 00.

If the sequence is successfully completed, the PC87570 enables the configuration base address update.

If any of the write operations in this sequence do not match, the enable process is stopped and the hardware resets the LFSR Register to its initial value (step 1). The following two write operations define the FFD Configuration Register Base Address, SBAH and SBAL, in that order.

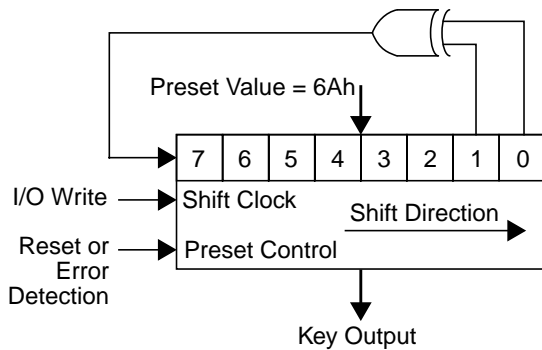


Figure 5-6. Initiation Key Generation (LFSR)

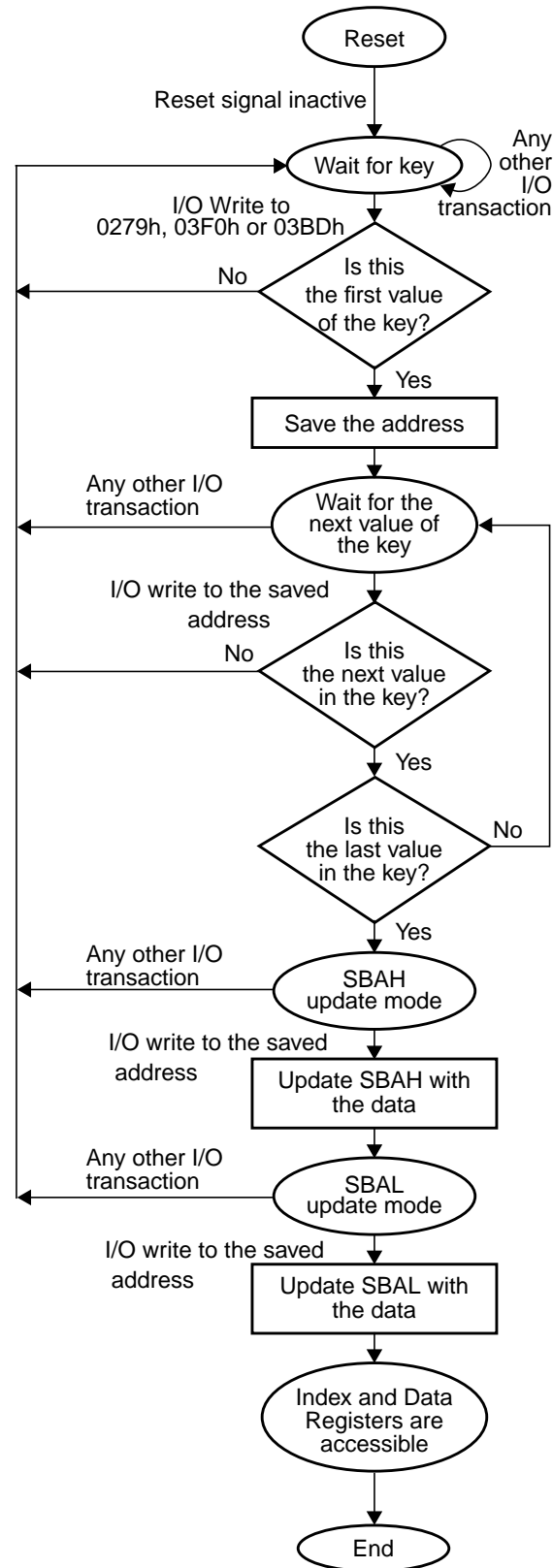


Figure 5-7. Initialization Sequence

3. Perform two write operations with data 00h to the same address (as used in steps 2 and 3) to reset any other device that may have been accidentally enabled by the address write operations. Software can now access the configuration Index and Data Registers, for setting the PC87570 interface according to the system configuration.

Once the initial setting of the configuration registers is successfully completed, it cannot be set again until reset is applied. Figure 5-7 illustrates the flow of the PnP protocol described above.

Two addresses of the host bus I/O address space are used to access the configuration registers. These addresses hold the Configuration Index and the Configuration Data Register pair. The address of these registers is defined by the SBAH and SBAL Registers.

The configuration Index Register points to the configuration register that is read, or written, by a read or write operation from/to the Data Register, respectively.

5.13.2 Operation Guidelines

Changing Data

One write operation is required to change the contents of a configuration register. Use one of the following procedures for changing data in the configuration registers.

Modify Only

1. Write to the Index Register the index of the configuration register you want to change. For example, write 56h if you want to modify the FER Register.
2. Write the new data for the configuration register to the configuration Data Register.

Read, Modify, Write

1. Write to the Index Register the index of the configuration register you want to change. For example, write 56h if you want to modify the FER Register.
2. Read the contents of that configuration register from the Data Register.
3. Write the modified data for the configuration register to the Data Register.

Reserved Bits

To maintain compatibility with future chips, the host software should avoid modification of reserved bits whenever the register is written. You can use a read-modify-write sequence to preserve the value of reserved bits.

Conflict Notice

When setting the addresses of different devices, ensure that no two devices are configured to the same address. Configuring two devices (or a device and the configuration Index/Data registers) to the same address may have unpredictable results.

Changing the Configuration Base Address

This scheme allows the host to change the location of the SBAH and SBAL Registers. This protocol may be performed whenever access to the configuration registers is enabled; i.e., after it was first set using the PnP protocol and if SBALK in the FLR Register is 0.

The address used should meet the following criteria:

- The address loaded into SBAH and SBAL should always be an even address (i.e., SBAL.0=0, data written to it is ignored).
- The address points to the configuration Index Register, and the configuration Data Register is at the next consecutive address.

When changing the base address, the host should perform two data write operations as described in "Changing Data" on page 60. The data writes should be as follows:

1. Update the eight high bits of the configuration Index Register's base address, by writing to SBAH.

This updates an internal temporary register. SBAH is not yet updated. Reading SBAH at this point returns the data it contained before the write.

The addresses of the Index and Data registers have not yet changed.

2. Update the eight lower bits of the configuration Index Register's base address, by writing to SBAL.

This write operation updates both the SBAH and SBAL registers with the data stored in the temporary register and the currently written data, respectively.

The addresses of the configuration Index and Data Registers are now changed.

When required, this process may be repeated.

5.14 HBI REGISTERS ACCESSED BY HOST

The PC87570 has 14 host-accessed registers that control the host interface channel, listed with their indexes in Table 5-4.

Table 5-4. HBI Registers Accessed by Host

Mnemonic	Register Name	Index
SID	Chip Identity Register	22h
SIDT	Chip Type Register	26h
SIDR	Chip Revision Register	27h
SBAH	Chip Base Address, High Register	4Bh
SBAL	Chip Base Address, Low Register	4Ah
RTCCSAH	RTC Chip Select Address, High (HRTCCS) Register	50h
RTCCSAL	RTC Chip Select Address, Low Register	51h
KBCCSAH	KBC Chip Select Address, High (KKBCCS) Register	52h
KBCCSAL	KBC Chip Select Address, Low Register	53h
PMCSAH	PM Chip Select Address, High (HPMCS) Register	54h
PMCSAL	PM Chip Select Address, Low Register	55h
FER	Function Enable Register	56h
FLR	Function Lock Register	57h
IRQE	IRQ Enable Register	58h

5.14.1 Identification Register (SID)

The SID Register identifies the chip. Its value is fixed as 00h. This register is a read only register. Data written to it is ignored.

7	6	5	4	3	2	1	0
MSB	ID Value						LSB

5.14.2 Identification Type Register (SIDT)

The SIDT Register identifies the chip type. Its value is fixed as 01h for the PC87570. This register is a read only register. Data written to it is ignored.

7	6	5	4	3	2	1	0
MSB	ID Value						LSB

5.14.3 Identification Revision Register (SIDR)

The SIDR Register identifies the chip revision. Its value is fixed as 00h for the first revision. This register is a read only register. Data written to it is ignored.

7	6	5	4	3	2	1	0
MSB	ID Value						LSB

5.14.4 Base Address High Register (SBAH)

The SBAH Register holds the high address bits of the configuration Index and Data Registers' base address.

The value of this register after reset is undefined. It is initialized by the motherboard PnP protocol, described in Section 5.13.

After this register has been initialized, the address may be updated if SBALK in the FLR Register is 0. This change is performed using the scheme described in "Changing the Configuration Base Address" on page 60.

Bits 0 through 7 of this register hold the host bus address bits 8 through 15, respectively.

7	6	5	4	3	2	1	0
Address High HA15-8							

5.14.5 Base Address Low Register (SBAL)

The SBAL Register holds the low address byte of the configuration Index and Data Registers' base address.

The value of this register after reset is undefined. It is initialized by the motherboard PnP protocol, described in Section 5.13.

After this register has been initialized, the address may be updated if SBALK in the FLR Register is 0. This change is performed using the scheme described in "Changing the Configuration Base Address" on page 60.

Bits 0 through 7 of this register hold the host bus address bits 0 through 7, respectively. Bit 0 is a read only bit and holds the value 0. Data written to this bit is ignored.

7	6	5	4	3	2	1	0
Address Low HA7-0							

5.14.6 RTC Chip Select Address High Register (RTCCSAH)

The RTCCSAH Register holds the high address bits of the RTC module. Bits 0 through 7 of this register hold the host bus address bits 8 through 15, respectively. On reset, this register is initialized to 00h. It may be updated if RTCLK in the FLR Register is 0.

7	6	5	4	3	2	1	0
Address High HA15-8							

5.14.7 RTC Chip Select Address Low Register (RTCCSAL)

The RTCCSAL Register holds the low address bits of the RTC module. Bits 0 through 7 of this register hold the host bus address bits 0 through 7, respectively. Bit 0 is a read only bit and hold the value 0. This bit is ignored when de-

coding the RTC module address. Data written to this bit is ignored. On reset, this register is initialized to 70h. It may be updated if RTCLK in the FLR Register is 0.

7	6	5	4	3	2	1	0
Address Low HA7-0							

The $\overline{\text{HRTCCS}}$ is an internal, chip select signal that identifies access to the RTC module. (In some cases, the RTC's legacy address is used instead.) This signal is active (0) when the accessed address is the address held in RTCCSAH and RTCCSAL, or the consecutive address (i.e., address line A0 is ignored in the decoding), if RTCE in the FER Register is 1.

On reset, the RTC is mapped to its legacy address 0070h and 0071h. The $\overline{\text{HDEN}}$ strap input defines if, on reset, access to the RTC is enabled ($\text{HDEN}=1$) or disabled ($\text{HDEN}=0$).

5.14.8 KBC Chip Select Address High Register (KBCCSAH)

The KBCCSAH Register holds the high address bits of the KBC interface channel (legacy ports 0060h and 0064h). Bits 0 through 7 of this register hold the host bus address bits 8 through 15, respectively. On reset, this register is initialized to 00h. It may be updated if KBCLK in the FLR Register is 0.

7	6	5	4	3	2	1	0
Address High HA15-8							

5.14.9 KBC Chip Select Address Low Register (KBCCSAL)

The KBCCSAL Register holds the low address bits of the KBC interface channel (legacy ports 0060h and 0064h). Bits 0 through 7 of this register hold the host bus address bits 0 through 7, respectively. Bit 2 is a read only bit, and holds the value 0. This bit is ignored when decoding the KBC channel address. Data written to this bit is ignored. On reset, this register is initialized to 60h. It may be updated if KBCLK in the FLR Register is 0.

7	6	5	4	3	2	1	0
Address Low HA7-0							

$\overline{\text{KBCCS}}$ is an internal, chip select signal that identifies an access to the KBC interface channel. (In some cases, the channel legacy address is used instead.) This signal is active (0) when the accessed address is the address held in KBCCSAH and KBCCSAL, or that address + 4 (i.e., address line A2 is ignored), if KBCE in the FER Register is 1.

On reset, the KBC interface channel is mapped to its legacy address 0060h and 0064h. The $\overline{\text{HDEN}}$ strap input defines if, on reset, access to the KBC interface channel is enabled ($\text{HDEN}=1$) or disabled ($\text{HDEN}=0$).

5.14.10 PM Chip Select Address High Register (PMCSAH)

The PMCSAH Register holds the high address bits of the host interface PM channel (legacy ports 0062h and 0066h). Bits 0 through 7 of this register hold the host bus address

bits 8 through 15, respectively. On reset, this register is initialized to 00h. It may be updated if PMLK in the FLR Register is 0.

7	6	5	4	3	2	1	0
Address High HA15-8							

5.14.11 PM Chip Select Address Low Register (PMCSAL)

The PMCSAL Register holds the low address bits of the host interface PM channel (legacy ports 0062h and 0066h). Bits 0 through 7 of this register hold the host bus address bits 0 through 7, respectively. Bit 2 is a read only bit and holds the value 0. This bit is ignored when decoding the PM channel address. Data written to this bit is ignored. On reset, this register is initialized to 62h. It may be updated if PMLK in the FLR Register is 0.

7	6	5	4	3	2	1	0
Address Low HA7-0							

The PMCSA Register, together with the PMCSAH Register, define the address used when accessing the PM channel of the host interface. $\overline{\text{HPMCS}}$ is an internal, chip select signal that identifies an access to the PM channel. (In some cases the channel legacy address is used instead.) This signal is active (0) when the accessed address is the address held in PMCSAH and PMCSAL, or that address + 4 (i.e., address line A2 is ignored) if PME in the FER Register is 1.

On reset, the PM channel is mapped to its legacy address 0062h and 0066h. The $\overline{\text{HDEN}}$ strap input defines if, on reset, access to the PM channel is enabled ($\text{HDEN}=1$) or disabled ($\text{HDEN}=0$).

5.14.12 Function Enable Register (FER)

The FER Register enables and disables the host interface to various functions in the PC87570. On reset, the host may change the contents of the bits in this register. Bits in FER may be write protected (locked) by setting the corresponding bit in the FLR Register. The $\overline{\text{HDEN}}$ strap input is sampled during power-up reset. FER is initialized on reset according to $\overline{\text{HDEN}}$. When $\text{HDEN}=0$, FER is initialized to 00, disabling all modules. When $\text{HDEN}=1$, non-reserved bits of FER are set, enabling access to the devices at their default addresses.

7	6	5	4	3	2	1	0
Reserved					PME	KBCE	RTCE

Bit 0 - RTC Enable (RTCE)

- 0: RTC cannot be accessed by the host; i.e., access to the address specified in RTCCSAH, RTCCSAL does not generate a chip select.
- 1: A read or write access by the host to the address specified by RTCCSAH, RTCCSAL generates a chip select to the RTC ($\overline{\text{HRTCCS}}$).

Bit 1 - KBC Enable (KBCE)

- 0: Keyboard channel cannot be accessed by the host; i.e., access to the address specified in KBCCSAH, KBCCSAL does not generate a chip select.

- 1: A read or write access by the host to the address specified by KBCCSAH, KBCCAL generates a chip select to the KBC channel (HKBCCS).

Bit 2 - PM Enable (PME)

- 0: PM channel cannot be accessed by the host; i.e., access to the address specified in PMCSAH, PMCSAL does not generate a chip select.
- 1: A read or write access by the host to the address specified by PMCSAH, PMCAL generates a chip select to the PM channel (HPMCS).

5.14.13 Function Lock Register (FLR)

The FLR Register provides a lock bit to protect the configuration registers from further change. This lock bit is for any one of the host interface functions. On reset, the FLR Register is cleared, enabling writes to all registers. Writing 1 to a bit in the register locks the corresponding function. Once locked, a function cannot be unlocked until reset is applied.

7	6	5	4	3	2	1	0
SBALK	Reserved			PMLK	KBCLK	RTCLK	

Bit 0 - RTC Channel Configuration Lock (RTCLK)

- 0: RTC configuration may be changed; i.e., RTCCSAH and RTCCSAL Registers and RTCE in the FER Register may be written.
- 1: RTC configuration cannot be changed; i.e., RTCCSAH and RTCCSAL Registers and RTCE in the FER Register become read only. Any data written to them is ignored.

Bit 1 - KBC Channel Configuration Lock (KBCLK)

- 0: Keyboard channel configuration may be changed; i.e., KBCCSAH and KBCCSAL Registers and KBCE in the FER Register may be written.
- 1: Keyboard channel configuration cannot be changed; i.e., KBCCSAH and KBCCSAL Registers and KBCE in the FER Register become read only. Any data written to them is ignored.

Bit 2 - PM Channel Configuration Lock (PMLK)

- 0: PM channel configuration may be changed; i.e., PMCSAH and PMCSAL Registers and PME in the FER Register may be written.
- 1: PM channel configuration cannot be changed; i.e., PMCSAH and PMCSAL Registers and PME in the FER Register become read only. Any data written to them is ignored.

Bit 7 - Base Address Configuration Lock (SBALK)

- 0: Address of the configuration Index and Data Registers may be changed; i.e., SBAL and SBAH may be written.
- 1: Configuration Index and Data Registers address cannot be changed; i.e., SBAL and SBAH become read only. Any data written to them is ignored.

5.14.14 IRQ Enable Register (IRQE)

The IRQE Register allows the host to enable the interrupt signals. On reset, this register is set according to the value of HDEN. If HDEN=0, it is cleared, disabling all interrupts by placing the pins in TRI-STATE. If HDEN=1, non-reserved bits in the IRQE Register are set to enable the interrupts. For a description of the various IRQ modes, see Section 5.10.

7	6	5	4	3	2	1	0
Reserved				IRQ8E	IRQ11E	IRQ12E	IRQ1E

Bit 0 - Interrupt Request 1 Enable (IRQ1E)

- 0: IRQ1 is in TRI-STATE
- 1: IRQ1 signal is active, according to the mode selected.

Bit 1 - Interrupt Request 12 Enable (IRQ12E)

- 0: IRQ12 is in TRI-STATE
- 1: IRQ12 signal is active, according to the mode selected.

Bit 2 - Interrupt Request 11 Enable (IRQ11E)

- 0: IRQ11 is in TRI-STATE
- 1: IRQ11 signal is active, according to the mode selected.

Bit 3 - Interrupt Request 8 Enable (IRQ8E)

- 0: IRQ8 is in TRI-STATE
- 1: IRQ8 signal is active, according to the mode selected.

6.0 Real-Time Clock (RTC) and Advanced Power Control (APC)

The RTC and APC module provides timekeeping and calendar management capabilities, enhanced with power-saving features.

The RTC uses a 32.768 KHz signal as the basic clock for timekeeping. It also includes 242 bytes of battery-backed RAM for general-purpose use.

The APC enables you to keep the PC in standby mode and start it from a remote modem or at a pre-determined time and date.

6.1 FEATURES

The RTC provides the following functions:

- Accurate timekeeping and calendar management
- Alarm at a predetermined time and/or date
- Three programmable interrupt sources
- Valid timekeeping during power-down, by utilizing external battery backup
- 242 bytes of battery-backed RAM
- RAM lock schemes to protect its content
- Internal oscillator circuit (the crystal itself is off-chip), or external clock supply for the 32.768KHz clock
- A century counter
- PnP support
 - Relocatable index and data registers
 - Module enable/disable option
 - Host interrupt ($\overline{\text{IRQ8}}$), enable/disable option
- Additional low-power features such as:
 - Automatic switching from battery to V_{CC}
 - Internal power monitoring on the VRT bit
 - Oscillator disabling to save battery during storage
- Software compatible with the DS1287 and MC146818
- Access from both the host and the CompactRISC CR16A core

The APC enables automatic system power control in response to external or internal events, enhancing the existing power management capability of the host system. This enables efficient use of the PC in applications such as answering machines or faxes, which are typically powered up without this feature.

6.2 RTC FUNCTIONAL DESCRIPTION

6.2.1 Host Bus Interface

A pair of Index and Data Registers is used to access all the internal registers of all RTC banks. These two registers are always located at consecutive addresses. The Index Register holds the address offset of the RTC register that is read or written through the Data Register. After power-on reset or warm reset (see HMR pin description) when accessing them from the host interface bus, the Index Register is located at 0070h, and the Data register at 0071h.

The RTC registers are selected by an internal $\overline{\text{HRTCCS}}$ chip select signal. The location of the Index Register can be changed by reprogramming the RTCCSAH and RTCCSAL

8-bit registers. These two registers define the 16-bit full address of the Index Register only. See also Host Configuration Registers in Section 5.14 on page 61. The Data Register is always located at the consecutive address. These locations may be reassigned, in compliance with PnP requirements.

6.2.2 Core Bus Interface

The Index and Data Registers can also be accessed by the CR16A core, which increases the performance of the PC87570 firmware. Through these two registers, the core can access all the RTC registers and the CMOS RAM. Dedicated hardware prevents conflict when both the host and the PC87570 firmware access the RTC. For more details, see CR16A Core Access to RTC in Section 5.3 on page 49.

6.2.3 Bank Description

The RTC registers are mapped into the following banks:

- Bank 0
 - The first 14 locations contain RTC timekeeping legacy registers. The next 50 locations contain the legacy CMOS RAM memory. These 64 locations are accessible from all three banks.
 - The next 64 locations contain additional CMOS RAM memory, accessible only from Bank 0.
- Bank 1
 - The first 64 locations are the same as in Bank 0.
 - The Century Counter is located at 0048h,
 - A pair of registers that creates a second-level accessing scheme is located at 0050h and 0053h. This allows for an additional 28 bytes of CMOS RAM expansion.
- Bank 2
 - The first 64 locations are the same as in Bank 0. The remaining locations contain the registers implementing the APC features.

See Section 6.7 on page 74 for a detailed description of the memory map.

6.2.4 Bank Accessing

The banks are selected by writing the desired values to Control Register A (CRA), bits 6-4 (DV2-0). This register is located at offset $0A_h$ and is accessible from all banks.

Note: The CRA Register cannot be modified if the VRT bit in the Control Register D (CRD) is 0. In this case, you cannot switch banks. See also VRT bit description in Section 6.3.4 on page 71.

6.2.5 RTC Clock Generation

The RTC uses a 32.768 KHz clock signal as the basic clock for timekeeping. This clock signal is also the reference clock for the APC and for the on-chip clock multiplier. See also Chapter 7. The 32.768 KHz clock can be supplied by the internal oscillator circuit, or by an external oscillator (see Sections 6.2.6 and 6.2.7).

6.2.6 Internal Oscillator

The internal oscillator employs an external crystal connected to the on-chip amplifier. The on-chip amplifier is accessible on the 32KX1 input pin and 32KX2 output pin. See Figure 6-1 for the recommended external circuit, and Table 6-1 for a listing of the circuit components. The oscillator may be disabled in certain conditions. See Section 6.2.15 on page 68 for more details.

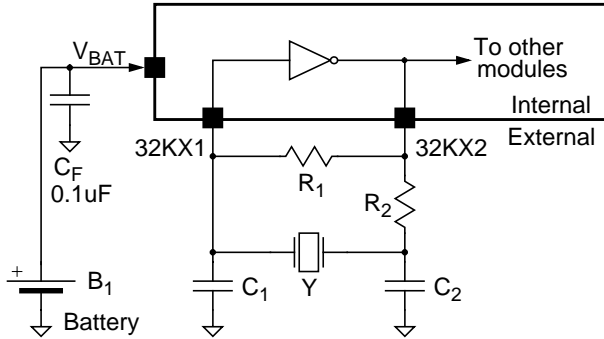


Figure 6-1. Recommended Oscillator External Circuitry

Table 6-1. Crystal Oscillator Circuit Components

Component	Parameters	Values	Tolerance
Crystal	Resonance Frequency	32.768 KHz Parallel Mode	User-defined
	Type	N-Cut or XY-bar	
	Serial Resistance	40 KΩ	Max
	Quality Factor, Q	35000	Min
	Shunt Capacitance	2 pF	Max
	Load Capacitance, CL	9-13 pF	
	Temperature Coefficient	User Choice	
Resistor R ₁	Resistance	20 MΩ	5%
Resistor R ₂	Resistance	120 KΩ	5%
Capacitor C ₁	Capacitance	10 pF	5%
Capacitor C ₂	Capacitance	33 pF	5%

External Elements

Choose C1 and C2 capacitors (see Figure 6-1) to match the crystal's load capacitance. The load capacitance CL "seen" by crystal Y is comprised of C1 in series with C2 and in parallel with the parasitic capacitance of the circuit. The parasitic capacitance is caused by the chip package, board layout and socket (if any), and can vary from 0 to 8 pF. The rule of thumb in choosing these capacitors is:

$$C_L = (C_1 * C_2) / (C_1 + C_2) + C_{PARASITIC}$$

Oscillator Start-up

The oscillator starts to generate 32.768 KHz pulses to the RTC and on-chip clock multiplier after about 100 ms from when VBAT is higher than VBATMIN (2.4 V) or VCC is higher than VCCMIN (3.0 V). The oscillation amplitude on the 32KX2 pin stabilizes to its final value (approximately 0.4 V peak-to-peak around 0.7 V DC) in about 1 s.

C1 can be trimmed to achieve precisely 32.768 KHz. To achieve a high time accuracy, use crystal and capacitors with low tolerance and temperature coefficients.

6.2.7 External Oscillator

32.768 KHz can be applied from an external clock source, as shown in Figure 6-2.

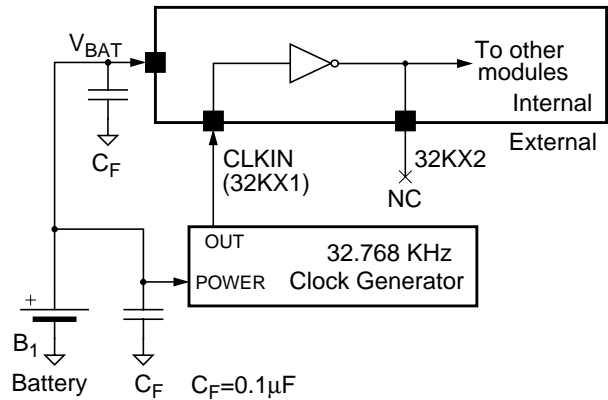


Figure 6-2. External Oscillator Connections

Connections

Connect the clock to the 32KX1 pin, leaving the oscillator output, 32KX2, unconnected.

Signal Parameters

The signal levels should conform to the voltage level requirements for 32KX1, stated in "DC ELECTRICAL CHARACTERISTICS" on page 134. The signal should have a duty cycle of approximately 50%. It should be sourced from a battery-backed source in order to oscillate during power-down. This will assure that the RTC delivers updated time/calendar information.

6.2.8 Timing Generation

The timing generation function divides the 32.768 KHz clock by 2¹⁵ to derive a 1 Hz signal, which serves as the input for the seconds counter. This is performed by a divider chain composed of 15 divide-by-two latches, as shown in Figure 6-3.

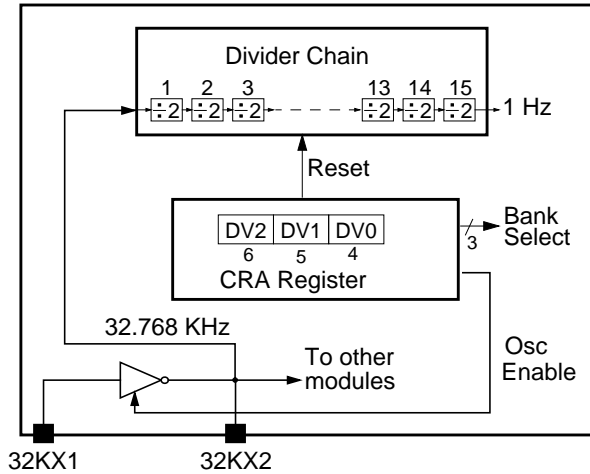


Figure 6-3. Divider Chain Control

Bits 6-4 (DV2-0) of the CRA Register control the following functions:

- Normal operation of the divider chain (counting)
- Divider chain reset to 0
- Bank selection scheme
- Oscillator activity when only V_{BAT} power is present (backup state).

The divider chain can be activated by setting normal operational mode (bits 6-4 of CRA = 01X or 100). The first update occurs 500 ms after divider chain activation.

Bits 3-0 of the CRA Register select one of the of fifteen taps from the divider chain to be used as a periodic interrupt. The periodic flag becomes active after half of the programmed period has elapsed, following divider chain activation.

See Section 6.3.1 on page 69 for more details.

6.2.9 Timekeeping

Data Format

Time is kept in BCD or binary format, as determined by bit 2 (DM) of Control Register B (CRB), and in either 12 or 24-hour format, as determined by bit 1 of this register.

Note: When changing the above formats, re-initialize all the time registers.

Daylight Saving

Daylight saving time exceptions are handled automatically, as described in "Bit 0 - Daylight Saving Enable (DSE)" on page 70.

Leap Years

Leap year exceptions are handled automatically by the internal calendar function. Every four years, February is extended to 29 days. Year 2000 is a leap year.

6.2.10 Updating

The time and calendar registers are updated once per second regardless of bit 7 (SET) of the CRB Register. Since the time and calendar registers are updated serially, unpredictable results may occur if they are accessed during the update. Therefore, you must ensure that reading or writing to the time storage locations does not coincide with a system update of these locations. There are several methods to avoid this contention.

Method 1

1. Set bit 7 of the CRB Register to 1. This takes a "snapshot" of the internal time registers and loads them into the user copy registers. The user copy registers are seen when accessing the RTC from outside, and are part of the double buffering mechanism. You may keep this bit set for up to 1 second, since the time/calendar chain continue to be updated once per second.
2. Read or write the required registers (since bit 1 is set, you will be accessing the user copy registers). If you perform a read operation, the information you read is correct from the time when bit 1 was set. If you perform a write operation, you will write only to the user copy registers.
3. Reset bit 1 to 0. During the transition, the user copy registers update the internal registers, using the double buffering mechanism to ensure that the update is performed between two time updates. This mechanism enables new time parameters to be loaded in the RTC.

Method 2

1. Access the RTC registers after detection of an Update Ended interrupt. This implies that an update has just been completed and 999 ms remain until the next update.
2. To detect an Update Ended interrupt, you may either:
 - a. Poll bit 4 (UF) of Control Register C (CRC)
 - b. Use the following interrupt routine:
 - Set bit 4 (UIE) of the CRB Register.
 - Wait for an interrupt from $\overline{IRQ8}$ pin.
 - Clear the IRQF flag of the CRC Register before exiting the interrupt routine.

Method 3

Poll bit 7 (UIP) of the CRA Register. The update occurs 244 μ s after this bit goes high. Therefore, if a 0 is read, the time registers will remain stable for at least 244 μ s.

Method 4

Use a periodic interrupt routine to determine if an update cycle is in progress, as follows:

1. Set the periodic interrupt to the desired period.
2. Set bit 6 (PIE) of the CRB Register to enable the interrupt from periodic interrupt.
3. Wait for the periodic interrupt appearance. This indicates that the period represented by the following expression remains until another update occurs:

$$[(\text{Period of periodic interrupt} / 2) + 244 \mu\text{s}]$$

6.2.11 Alarms

The timekeeping function can be set to generate an alarm when the current time reaches a stored alarm time. After each RTC time update (every 1 second), the seconds, minutes, hours, day of the week, date of month, month and year counters are compared with their corresponding registers in the alarm settings. If equal, bit 5 (AF) of the CRC Register is set. If the Alarm Interrupt Enable bit was previously set (bit 5 of the CRB Register), IRQ8 interrupt request pin will also go low ($\overline{IRQ8} = 0$). (Note: This pin is an open-drain output and needs an external pull-up.)

Any alarm register may be set to “Don’t Care” by setting bits 7 and 6 to 11. This combination, not used by any BCD or binary time codes, results in a periodic alarm. The rate of this periodic alarm is determined by the registers that were set to “Don’t Care”.

For example, if only the seconds and minutes alarm registers are set to “Care”, an interrupt will be generated every hour at the specified minute and second. If only the seconds, minutes and hours alarm registers are set to “Care”, an interrupt will be generated every day at the specified hour, minute and second.

6.2.12 Power Supply

The PC87570 is supplied from two supply voltages, as shown in Figure 6-4:

- System standby power supply voltage, V_{SB}
- Backup voltage, from low capacity Lithium battery.

A standby (help) voltage (V_{SB}) from the external AC/DC power supply powers the RTC and APC under normal conditions.

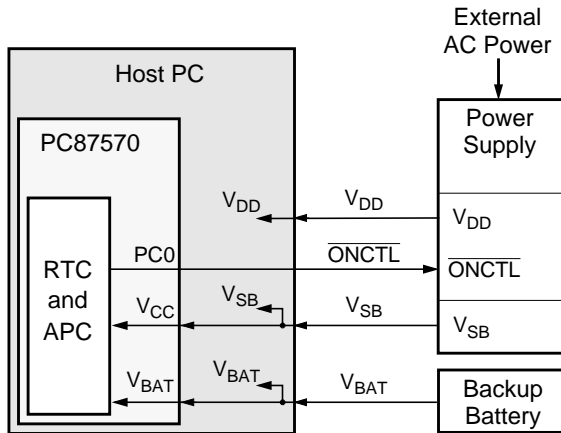
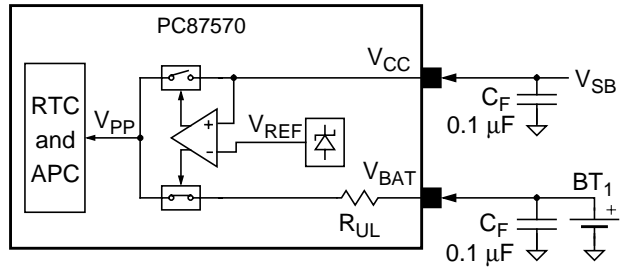


Figure 6-4. Power Supply Connections

Figure 6-5 represents a typical battery configuration. No external diode is required to meet the UL standard, due to the internal switch and internal serial resistor R_{UL} .



1. Place a 0.1 μF capacitor on *each* V_{CC} power supply pin as close as possible to the pin, and also on V_{BAT} .
2. Place a 10-47 μF capacitor on the common power supply net, as close as possible to the device.

Figure 6-5. Typical Battery Configuration

The RTC/APC module is supplied from one of two power supplies, V_{CC} or V_{BAT} , according to their levels. An internal voltage comparator delivers the control signals to a pair of switches. Battery backup voltage V_{BAT} maintains the correct time and saves the CMOS memory when the V_{CC} voltage is absent, due to power failure or disconnection of the external AC/DC input power supply or V_{CC} main battery.

To assure that the module uses power from V_{CC} and not from V_{BAT} , the V_{CC} voltage should be maintained above its minimum, as detailed in Table 19-8. “Voltage Thresholds” on page 136.

The actual voltage point where the module switches from V_{BAT} to V_{CC} is lower than the minimum workable battery voltage, but high enough to guarantee the correct functionality of the oscillator and the CMOS RAM.

Figure 6-6 shows typical battery current consumption during battery-backed operation, and Figure 6-7 during normal operation.

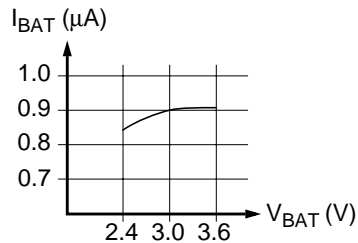
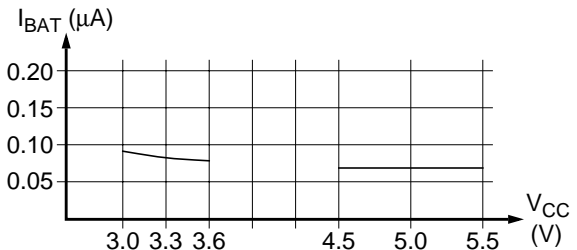


Figure 6-6. Typical Battery Current During Battery Backed Power Mode



Note: Battery voltage in this test is 3.0V.

Figure 6-7. Typical Battery Current During Normal Operation Mode

6.2.13 System Bus Lockout

During power-up or power-down, spurious bus transactions from the host may occur. To protect the RTC internal registers from corruption, all inputs are automatically locked out. The lockout condition is asserted when V_{CC} is lower than V_{CCON} . See section 19-8 on page 136.

6.2.14 Power-Up Detection

When system power is restored after a power failure or power-off state ($V_{CC}=0$), the lockout condition continues for a delay of 62 ms (minimum) to 125 ms (maximum) after the RTC switches from battery to system power.

The lockout condition is switched off immediately in the following situations:

- If the Divider Chain Control bits, DV0-2, (bits 6-4 in the CRA Register) specify a normal operation mode (01X or 100), all input signals are enabled immediately upon detection of system voltage above V_{CCON} .
- When battery voltage is below V_{BATDCT} and HMR is 1, all input signals are enabled immediately upon detection of system voltage above V_{CCON} . This also initializes registers at offsets 00h through 0Dh.
- If bit 7 (VRT) of the CRD Register is 0, all input signals are enabled immediately upon detection of system voltage above V_{CCON} .

6.2.15 Oscillator Activity

The RTC oscillator is active if:

- V_{CC} power supply is higher than V_{CCON} , independent of the battery voltage, V_{BAT}
- V_{BAT} power supply is higher than V_{BATMIN} , regardless if V_{CC} is present or not.

The RTC oscillator is disabled if:

- During power-down (V_{BAT} only), the battery voltage drops below V_{BATMIN} (see Table 19-8. "Voltage Thresholds" on page 136 for the value). When this occurs, the oscillator may be disabled and its functionality cannot be guaranteed.
- Software wrote 00X to DV2-0 bits of the CRA Register and V_{CC} is removed (see Section 6.3.1 on page 69). This disables the oscillator and decreases the power consumption from the battery connected to the V_{BAT} pin. When disabling the oscillator, the CMOS RAM is not affected as long as the battery is present at a correct voltage level.

Note: Since the clock multiplier uses the RTC oscillator as a reference clock, disabling the RTC oscillator will interfere with the clock multiplier functionality. See also Section 7.2 on page 76.

If the RTC oscillator becomes inactive, the following features will be dysfunctional/disabled:

- Timekeeping
- Periodic interrupt
- Alarm
- APC

6.2.16 Interrupt Handling

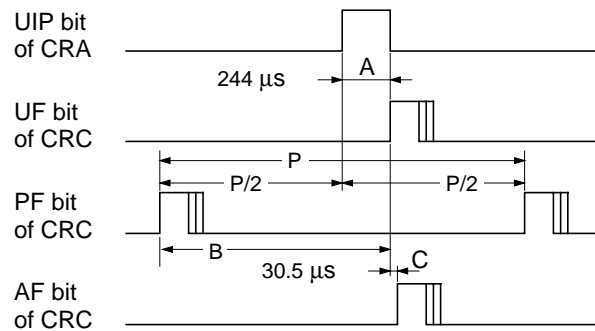
The RTC has a single Interrupt Request line, $\overline{IRQ8}$, which handles the following three interrupt conditions:

- Periodic interrupt
- Alarm interrupt
- Update-Ended interrupt.

The interrupts are generated ($\overline{IRQ8}$ is driven low) if the respective enable bits in the CRB Register are set prior to an interrupt event occurrence. See also section 5.10 "HOST INTERRUPTS" on page 52, and section 5.14.14 "IRQ Enable Register (IRQE)" on page 63.

Reading the CRC Register clears all interrupt flags. Thus, when multiple interrupts are enabled, the interrupt service routine should first read and store the CRC Register, and then deal with all pending interrupts by referring to this stored status.

If an interrupt is not serviced before a second occurrence of the same interrupt condition, the second interrupt event is lost. Figure 6-8 illustrates the interrupt timing in the RTC.



Flags (and IRQ) are reset at the conclusion of CRC read or by reset.

- A = Update In Progress (UIP) bit high before update occurs = 244 μ s
- B = Periodic interrupt to update = Period (periodic int) / 2 + 244 μ s
- C = Update to Alarm Interrupt = 30.5 μ s
- P = Period is programmed by RS3-0 of CRA.

Figure 6-8. Interrupt/Status Timing

6.2.17 Battery-Backed Register Banks and RAM

The RTC and APC module has three battery-backed register banks:

- Bank 0 - General Purpose Register Bank for battery-backed storage
- Bank 1 - RTC Register Bank
- Bank 2 - APC Register Bank

Battery backup power assures information retention during system power-down.

The memory maps and register content for each of the three banks is illustrated in Section 6.7 on page 74.

The lower 64-byte locations of the three banks are shared. The first 14 bytes are used for time and alarm storage and as control registers. The next 50 bytes are used for general purpose memory.

The upper 64 bytes of bank addresses are utilized as follows:

- Bank 0 supplies an additional 64 bytes of memory-backed RAM.
- Bank 1 uses the upper 64 bytes for functions related to RTC activity.
- Bank 2 uses the upper 64 bytes for functions related to APC activity.

Reserved registers and bits should be written using a read-modify-write method.

The CRA Register selects the active bank according to the value of bits 6-4 (DV0-2). See Table 6-4.

All register locations are accessed by the RTC Index and Data Registers (at base address and base address+1). The Index Register points to the register location being accessed, and the Data Register contains the data to be transferred to or from the location.

In addition to these register banks, an additional 128 bytes of battery-backed RAM (also called upper RAM) may be accessed via two levels of addressing, as follows:

- The first level is the RTC Index and Data registers.
- The second level consists of the upper RAM Address Register, at second level offset 50h of Bank 1, and the upper RAM Data Register at second level offset 53h of Bank 1.

There are several ways to lock access to register banks and RAM. For details, see Section 6.6.4 on page 73.

6.3 RTC REGISTERS

The RTC registers can be accessed at any time during normal operation mode; i.e., when V_{CC} is within the recommended operation range. This access is disabled during battery-backed operation. The write operation to these registers is also disabled if bit 7 of the CRD Register is 0 (see Section 6.3.4 on page 71).

Note: Before attempting to perform any start-up procedures, make sure to read about bit 7 (VRT) of the CRD Register (Section 6.3.4 on page 71).

See Section 6.7 on page 74 for a detailed description of the memory map for the RTC registers.

This section describes the four RTC Control Registers that control basic RTC functionality (see Table 6-2). These registers are shared by all banks.

Table 6-2. RTC Control Registers

Offset	Mnemonic	Register Name
0Ah	CRA	RTC Control Register A
0Bh	CRB	RTC Control Register B
0Ch	CRC	RTC Control Register C
0Dh	CRD	RTC Control Register D

Additional configuration registers are located at Table 5-2. "HBI Registers Accessed by CR16A" on page 54 and Table 5-4. "HBI Registers Accessed by Host" on page 61.

6.3.1 RTC Control Register A (CRA)

This register controls bank selection, among other functions.

Note: This register can not be written before reading bit 7 of the CRD Register.

7	6	5	4	3	2	1	0
UIP	DV2	DV1	DV0	RS3	RS2	RS1	RS0

Bits 3-0 - Periodic Interrupt Rate Select (RS3-0)

These read/write bits select one of fifteen output taps from the clock divider chain to control the rate of the periodic interrupt. See Table 6-3 and Figure 6-3 on page 66.

These bits are reset at power-up reset only.

Table 6-3. Periodic Interrupt Rate Encoding

RS 3 2 1 0	Periodic Interrupt Rate (ms)	Divider Chain Output
0 0 0 0	No interrupts	
0 0 0 1	3.906250	7
0 0 1 0	7.812500	8
0 0 1 1	0.122070	2
0 1 0 0	0.244141	3
0 1 0 1	0.488281	4
0 1 1 0	0.976562	5
0 1 1 1	1.953125	6
1 0 0 0	3.906250	7
1 0 0 1	7.812500	8
1 0 1 0	15.625000	9
1 0 1 1	31.250000	10
1 1 0 0	62.500000	11
1 1 0 1	125.000000	12
1 1 1 0	250.000000	13
1 1 1 1	500.000000	14

Bits 6-4 - Divider Chain Control (DV2-0)

These read/write bits control the configuration of the divider chain for timing generation and register banks selection. See Table 6-4.

These bits are reset at power-up reset only.

Table 6-4. Divider Chain Control and Bank Selection

DV2	DV1	DV0	Selected Bank	Configuration
CRA 6	CRA 5	CRA 4		
0	0	0	Bank 0	Oscillator Disabled
0	0	1	Bank 0	Oscillator Disabled
0	1	0	Bank 0	Normal Operation
0	1	1	Bank 1	Normal Operation
1	0	0	Bank 2	Normal Operation
1	0	1	Undefined	Test
1	1	0	Bank 0	Divider Chain Reset
1	1	1	Bank 0	Divider Chain Reset

Bit 7 - Update in Progress (UIP)

This is a read only bit which is reset at power-up reset only.

This bit reads 0 when bit 7 of the CRB Register is 1.

- 1: Timing registers updated within 244 μs
- 0: Timing registers not updated within 244 μs

6.3.2 RTC Control Register B (CRB)

7	6	5	4	3	2	1	0
SET	PIE	AIE	UIE	0	DM	HM	DSE

Bit 0 - Daylight Saving Enable (DSE)

This is a read/write bit which is reset at power-up reset only.

- 1: Daylight saving feature enabled, as follows:
 - In the spring, time advances from 1:59:59 AM to 3:00:00 AM on the first Sunday in April.
 - In the fall, time returns from 1:59:59 AM to 1:00:00 AM on the last Sunday in October.
- 0: Daylight saving feature disabled

Bit 1 - 24 or 12 Hour Mode (HM)

This is a read/write bit which is reset at power-up reset only.

- 1: 24 hour format enabled
- 0: 12 hour format enabled

Bit 2 - Data Mode (DM)

This is a read/write bit which is reset at power-up reset only.

- 1: Binary format enabled
- 0: BCD format enabled

Bit 3 - Unused

This bit is defined as “Square Wave Enable” by the MC146818 and is not supported by the RTC. This bit is always read as 0.

Bit 4 - Update Ended Interrupt Enable (UIE)

This is a read/write bit that is reset to 0 on RTC reset.

- 1: Generation of Update Ended interrupt enabled. This interrupt is generated when an update occurs.
- 0: Generation of Update Ended interrupt disabled

Bit 5 - Alarm Interrupt Enable (AIE)

This is a read/write bit that it is reset to 0 on RTC reset (i.e., any reset and when SIBCST1.RTCMR is set).

- 1: Generation of Alarm interrupt enabled. This interrupt is generated immediately after a time update in which the seconds, minutes, and hours time equal their respective alarm counterparts.
- 0: Generation of alarm interrupt disabled

Bit 6 - Periodic Interrupt Enable (PIE)

This is a read/write bit that is reset to 0 on RTC reset (i.e., any reset and when SIBCST1.RTCMR is set)

- 1: Generation of Periodic interrupt enabled. Bits 3-0 of the CRA Register determine its rate.
- 0: Generation of Periodic interrupt disabled

Bit 7 - Set Mode (SET)

This is a read/write bit that is reset at power-up reset only. See also Section 6.2.10 on page 66.

- 1: The user copy of time is “frozen”, allowing the time registers to be accessed whether or not an update occurs.
- 0: Timing updates occur normally.

6.3.3 RTC Control Register C (CRC)

7	6	5	4	3	2	1	0
IRQF	PF	AF	UF	Reserved			

Bits 3-0 - Reserved

These bits always return 0.

Bit 4 - Update Ended Interrupt Flag (UF)

This is a read/write bit that is reset to 0 on RTC reset (i.e., any reset and when SIBCST1.RTCMR is set). In addition, this bit is reset to 0 when this register is read.

- 1: Time registers updated
- 0: No update occurred since the last read

Bit 5 - Alarm Interrupt Flag (AF)

This is a read/write bit that is reset to 0 on RTC reset (i.e., any reset and when SIBCST1.RTCMR is set). In addition, this bit is reset to 0 when this register is read.

- 1: Alarm condition detected
- 0: No alarm detected since the last read

Bit 6 - Periodic Interrupt Flag (PF)

This is a read/write bit that is reset to 0 on RTC reset (i.e., any reset and when SIBCST1.RTCMR is set). In addition, this bit is reset to 0 when this register is read.

- 1: Transition occurred on the selected tap of the divider chain
- 0: No transition occurred on the selected tap since the last read

Bit 7 - Interrupt Request Flag (IRQF)

This read-only bit mirrors the value on the $\overline{IRQ8}$ output signal. When $\overline{IRQ8}$ is active (low), IRQF is 1. The IRQ pin is put in TRI-STATE while the host disables $\overline{IRQ8}$ (IRQE.IRQ8E=0).

1: This bit is 1 if this logic equation is true:
 $(\overline{UIE} \text{ and } \overline{UF}) \text{ or } (\overline{AIE} \text{ and } \overline{AF}) \text{ or } (\overline{PIE} \text{ and } \overline{PF}) = 1$.

0: $\overline{IRQ8}$ is inactive (high)

Note: To clear this bit (and deactivate the $\overline{IRQ8}$ pin), read the CRC Register as the flag bits UF, AF and PF are cleared after reading this register.

6.3.4 RTC Control Register D (CRD)

7	6	5	4	3	2	1	0
VRT	0	0	0	0	0	0	0

Bits 6-0 Reserved

These bits are always read 0.

Bit 7 - Valid RAM and Time (VRT)

This read-only bit is set to 1 when this register is read. This bit must be read previously to enter power-down mode, in order to keep the RTC oscillator enabled.

1: RTC register contents (time/calendar and CMOS RAM) are valid

0: Battery source was too low or disconnected during backup mode. Therefore, the RTC data and RAM data are not valid. If this bit is 0, the RTC registers cannot be written (see Section 6.3.1 on page 69).

This bit also affects the RTC oscillator activity (see Section 6.2.15 on page 68).

6.4 USAGE HINTS

1. Read bit 7 of the CRD Register at each system power-up to validate the contents of the RTC registers and the CMOS RAM. When this bit is 0, the contents of these registers and the CMOS RAM are questionable. This bit is reset when the backup battery voltage is too low. The voltage level at which this bit is reset is below the minimum recommended battery voltage, 2.4 V. Although the RTC oscillator may function properly and the register contents may be correct at lower than 2.4 V, this bit is reset since correct functionality cannot be guaranteed. System BIOS may use a checksum method to revalidate the contents of the CMOS-RAM. The checksum byte should be stored in the same CMOS RAM.
2. Change the backup battery while normal operating power is present, and not in backup mode, to maintain valid time and register information. If a low leakage capacitor is connected to V_{BAT} , the battery may be changed in backup mode.
3. A rechargeable NiCd battery may be used instead of a non-rechargeable Lithium battery. This is a preferred solution for portable systems, where small size components is essential.
4. A supercap capacitor may be used instead of the normal Lithium battery. In a portable system usually the V_{CC} voltage is always present since the power management stops the system before its voltage falls to low. The supercap capacitor in the range of 0.047-0.47 F should supply the power during the battery replacement.

6.5 APC FUNCTIONAL DESCRIPTION

6.5.1 Operation

The APC enables the PC to power-up automatically under various conditions, or to power-down in an orderly, controlled manner. It can replace the physical power supply On/Off switch.

The APC is powered from the V_{CC} supply whenever V_{CC} is applied to the device. V_{CC} is generated by a power supply connected to the main battery. Partial operation is enabled when a battery backup power (V_{BAT}) is connected to the RTC. This is true even though the PC may be switched off.

The APC may power-up the entire PC system in response to various events. This ability makes it viable for use with home PC applications such as PC-based fax machines, modems and telephone answering machines, which previously required the PC to be powered up at all times.

The APC controls system power by generating the on request interrupt (APC-ON) and the off request interrupt (APC-OFF) signals to the ICU through the MIWU.

The APC-OFF interrupt signal enables a software controlled exit procedure (analogous to the DOS autoexec.bat start-up procedure), with automatic activation of preprogrammed features, such as system status backup, system activity logging, file closing and backup, remote communication termination, print completion, etc.

6.5.2 User Selectable Parameters

The APC enables you to tailor system response to power-up, power-down and battery operation situations. User-selectable parameters include:

- Enabling external events to wake-up the system. See "Power Up" on page 72.
- Wake-up time for an automatic system wake-up. See Section 6.5.7 on page 72.

6.5.3 System Power States

The valid system power states are listed in Table 6-5.

Table 6-5. Power States

V_{CC}	V_{BAT}	Power State
-	-	No Power
-	+	Power Off
+	+ or -	Power On

No Power

This state exists when no V_{CC} or V_{BAT} is connected to the device. The APC undergoes initialization only when leaving this state.

Power Off

This state occurs when there is no V_{CC} . The RTC continues to maintain timekeeping and RAM data under V_{BAT} unless the oscillator in the RTC is disabled (see Table 6-4 on page 70). In this case, the oscillator stops functioning and timekeeping data becomes invalid.

Power On

This is the normal state when the PC87570 is powered on. This state may be initiated by various events in addition to physically switching the system on. The PC system and the PC87570 device are powered by V_{CC} .

Note: The APC does not function when the 32.768 KHz oscillator is not running.

6.5.4 System Power Switching Logic

In the Power On state, the APC is powered by V_{CC} . If V_{CC} falls to the level of V_{CCON} , the APC enters the Power Off state and switches to V_{BAT} .

When power returns after power-off, the APC enables the generation of an APC-ON interrupt after a delay of 1 second.

If V_{BAT} falls below V_{LOWBAT} , the oscillator, timekeeping functions and APC cease functioning.

If neither V_{CC} or V_{BAT} is available, the system goes to No Power state. It is initialized when it leaves this state.

6.5.5 APC-ON/APC-OFF Interrupt Signals

The APC checks when activation conditions are met, and generates the APC-ON/APC-OFF interrupt signals accordingly. The APC-ON/APC-OFF interrupt signals are active-high pulses.

APC-ON interrupt is generated, when:

- Time Match Enable bit (bit 0 of APCR2) is 1 and there is a match between the RTC and the time specified in the pre-determined date registers.
User software must ensure unused date/time fields are coherent to ensure a reliable comparison of valid bits.
- RING Enable bit (bit 3 of APCR2) is 1 and one of the following occurs:
 - Bit 2 of APCR2 is 0 and a high-to-low transition is detected on the RING input pin.
 - Bit 2 of APCR2 is 1 and a train of pulses is detected on the RING input pin.

APC-OFF interrupt is generated, when:

- A 1 is written to Software Off Command bit (bit 5 of APCR1).

6.5.6 Entering Power States**Power Up**

When power is first applied to the RTC, the APC registers are initialized to the default values defined in APCR1, APCR2 and APSR. See Table 6-5. This situation is defined by the appearance of V_{BAT} or V_{CC} with no previous power.

The APC powers-up when the RTC supply is applied from any source. It is in Power On state only when V_{CC} is applied.

Power Off

The APC is in Power Off state when it is powered by V_{BAT} . Upon entering Power Off state, the following occurs:

- The \overline{RING} pin (for detecting telephone line incoming signals for fax, modem or voice communication) is masked (high).

The signal remain masked until 1 second after exit from Power Off state (i.e., 1 second after switching from V_{BAT} to V_{CC}).

When the 1 second delay expires, new events can generate the APC-ON interrupt. In addition, if a time match occurs during Power Off, the APC “remembers” to send an APC-ON interrupt.

- In case Power Off was entered before a host Software Off Command was executed, an APC-ON interrupt is generated for RING and/or predetermined wake-up match events detected prior to entering Power Off state.

6.5.7 Predetermined Wake-Up

The second, minute and hour values of the pre-determined wake-up times are contained in the Seconds Alarm, Minutes Alarm and Hours Alarm registers respectively (register offsets 01, 03 and 05 in all banks). The Day of Week, Date of Month, Year and Century of the pre-determined date is held in Bank 2, registers, offsets 43h-46h and 48h. These eight registers are compared with the Seconds, Minutes, Hours, Day of Week, Date of Month, Month, Year and Century registers correspondingly (register offsets 00, 02, 04, 06, 07, 08, 09 in all banks and register offset 48 in Bank 1).

6.5.8 Ring Signal Event

An incoming telephone call is an event that may generate an APC-ON interrupt in order to deal with a pending incoming voice, fax or modem communication.

The PC87570 can detect a \overline{RING} pulse falling edge, or a \overline{RING} pulse train with a frequency of at least 16 Hz that lasts at least 0.19 seconds.

When APCR2.RPTDM is set, the APC is in a \overline{RING} pulse train detection mode and the existence of falling edges on \overline{RING} is monitored in time slots of 62.5 ms (16 Hz cycle time). A \overline{RING} pulse train detect event occurs if falling edge(s) of \overline{RING} are detected in three consecutive time slots, following a time slot in which no falling edge of \overline{RING} is detected.

This method of detecting a \overline{RING} pulse train filters out (does not detect) a \overline{RING} pulse train of less than 11 Hz, might detect a \overline{RING} pulse train of 11 Hz to 16 Hz, and guarantees detection of a \overline{RING} pulse train of at least 16 Hz.

If APCR2.RPTDM is cleared, a single falling edge on the \overline{RING} input will generate a RING wakeup event.

6.6 APC REGISTERS

The APC registers reside in the APC Bank 2 memory. The RAM Lock register also resides in this bank. See Table 6-9 on page 75.

The APC control registers are not affected by system reset. They are initialized to 0 only when power is applied for the first time; i.e., application of either V_{BAT} or V_{CC} , when no previous voltage is present.

Table 6-6. APC Control Registers

Offset	Mnemonic	Register Name
40h	APCR1	APC Control Register 1
41h	APCR2	APC Control Register 2
42h	APSR	APC Status Register
47h	RLR	RAM Lock Register

6.6.1 APC Control Register 1 (APCR1)

7	6	5	4	0
PF	Res	SOC	Reserved	

Bits 4-0 - Reserved

Bit 5 - Software Off Command (SOC)

This bit is write-only and non-sticky. Read returns 0.

0: Ignored

1: APC-OFF interrupt signal generated

Bit 6 - Reserved

Bit 7 - Power Off (PF)

This bit is set to 1 when RTC/APC switches from V_{CC} to V_{BAT} . Cleared to 0 by writing 1 to this bit. Writing 0 to this bit has no effect.

6.6.2 APC Control Register 2 (APCR2)

7	4	3	2	1	0
Reserved		RE	RPTDM	Res	TME

Bit 0 - Time Match Enable (TME)

0: Pre-determined date or time event ignored

1: APC-ON interrupt generated on a match between the RTC and the pre-determined date or time

Bit 1 - Reserved

Bit 2 - \overline{RING} Pulse or Train Detection Mode (RPTDM)

0: \overline{RING} pulse falling edge detected

1: \overline{RING} pulse train > 16 Hz for 0.19 s

Bit 3 - RING Enable (RE)

0: \overline{RING} input signal ignored

1: APC-ON interrupt generated on \overline{RING} detection

Bits 7-4 - Reserved

6.6.3 APC Status Register (APSR)

The bits in this register that detect events are cleared to 0 when this register is read.

7	6	2	1	0
RS	Reserved		RID	TMD

Bit 0 - Timer Match Detect (TMD)

This bit is set to 1 when the RTC reaches the pre-determined date, regardless of the value of the TME bit (bit 0 of APCR2).

Bit 1 - \overline{RING} Detect (RID)

This bit is set to 1 when a \overline{RING} pulse or \overline{RING} pulse train is detected on the \overline{RING} input pin, regardless of the value of the RE bit (bit 3 of APCR2).

Bits 6-2 - Reserved

Bit 7 - \overline{RING} Status (RS)

Holds the instantaneous value of the \overline{RING} pin.

6.6.4 RAM Lock Register (RLR)

Once a non-reserved bit is set to 1, it can be cleared only by a hardware (HMR pin) reset.

7	6	5	4	3	2	0
RL	RMW	RBW	RBR	URB	Reserved	

Bits 2-0 - Reserved

Bit 3 - Upper RAM Block (URB)

Controls access to the upper 128 RAM bytes, accessed via the Upper RAM Address and Data Ports of Bank 1

0: No effect on upper RAM access

1: Upper RAM Data Port of Bank 1 blocked; writes are ignored and reads return FFh

Bit 4 - RAM Block Read (RBR)

This bit controls reads from Upper RAM bytes 00h-1Fh.

0: No effect on upper RAM access

1: Reads from bytes 00h-1Fh of upper RAM return FFh

Bit 5 - RAM Block Write (RBW)

This bit controls writes to bytes 00h-1Fh of upper RAM.

0: No effect on upper RAM access

1: Writes to bytes 00h-1Fh of upper RAM ignored

Bit 6 - RAM Mask Write (RMW)

This bit controls writes to all RTC RAM.

0: No effect on RAM access

1: Writes to bytes 0Eh-3Fh of all banks, bytes 40h-7Fh of Bank 0 and to all upper RAM ignored

Bit 7 - RAM Lock (RL)

0: No effect on RAM access

1: Read and write to locations 38h-3Fh of all bank blocked; writes ignored and reads return FFh.

6.7 REGISTER BANKS

Table 6-7. Bank 0 Register Memory Map

Offset	Register	Format		Value		Type	Function
		BCD	Binary	Power-On	Reset		
00h	Seconds	00-59	00-3B			R/W	
01h	Seconds Alarm	00-59	00-3B			R/W	
02h	Minutes	00-59	00-3B			R/W	
03h	Minutes Alarm	00-59	00-3B			R/W	
04h	Hours	12H 01-12 (AM) 81-92 (PM) 24H 00-23	01-0C (AM) 81-8C (PM) 00-17	3		R/W	
05h	Hours Alarm	12H 01-12 (AM) 81-92 (PM) 24H 00-23	01-0C (AM) 81-8C (PM) 00-17			R/W	
06h	Day of Week	01-07	01-07			R/W	Sunday = 1
07h	Date of Month	01-31	01-1F			R/W	
08h	Month	01-12	01-0C			R/W	
09h	Year	00-99	00-63			R/W	
0Ah	CRA					R/W Bit 7=Read	
0Bh	CRB					R/W Bit 3=Read	
0Ch	CRC					Read	
0Dh	CRD					Read	
0Eh-3Fh	General Purpose RAM					R/W	
40h-7Fh	General Purpose RAM					R/W	

Table 6-8. Bank 1 Register Memory Map

Offset	Register	Format		Value		Type	Function
		BCD	Binary	Power-On	Reset		
00h-3Fh							All banks share the first 14 RTC registers and the first 50 RTC RAM bytes.
40h-47h							Reserved. Writes have no effect and reads return 00h
48h	Century	00-99	00-63	00h		R/W	
49h-4Fh							Reserved
50h	Upper RAM Address Port					R/W	Bits 6-0: Address of the upper 128 RAM bytes Bit 7: Reserved
51h-52h							Reserved
53h	Upper RAM Data Port					R/W	Accesses the byte pointed by the Upper RAM Address Port
54h-7Fh							Reserved

Table 6-9. Bank 2 Register Memory Map

Offset	Register	Format		Value		Type	Function
		BCD	Binary	Power-On	Reset		
00h - 3Fh							All banks share the first 14 RTC registers and the first 50 RTC RAM bytes.
40h	APCR1			00h		R/W	See Section 6.6.1
41h	APCR2			00h		R/W	See Section 6.6.2
42h	APSR			x1000001b		Read only	See Section 6.6.3
43h	Wake-up Day of Week	01-07	01-07			R/W	Sunday = 1
44h	Wake-up Date of Month	01-31	01-1F			R/W	
45h	Wake-up Month	01-12	01-0C			R/W	
46h	Wake-up Year	00-99	00-63			R/W	
47h	RAM Lock			00h initialized also on warm reset and when SIBST1.RTCMR=1		R/W	
48h	Wake-up Century	00-99	00-63			R/W	
49h-7Fh							Reserved

7.0 High Frequency Clock Generator (HFCG)

The HFCG generates the high-frequency clock based on the system's 32 KHz clock signal. It is controlled by the PMC.

7.1 FEATURES

- Programmable frequency multiplier for a wide range of output frequencies
- On power-up and WATCHDOG reset, 4 MHz default frequency is set

7.2 FUNCTIONAL DESCRIPTION

The HFCG programmable frequency multiplier creates a high-frequency output clock from a 32.768 KHz input clock. A 5-bit and 14-bit variable define the output clock frequency. The software changes the generated frequency by writing new values to a buffer and enabling the frequency setting. Either a normal or fast clock setting may be used. During a frequency change, the CLK output is low, to prevent the system from using a non-stable clock.

The HFCG is designed to be tightly coupled with the PMC. The HFCG Enable signal coming from the PMC is input to the HFCG, enabling or disabling clock generation in Idle mode. The PMC enables the CLK for the PC87570 in Active mode.

Figure 7-1 shows the HFCG blocks, and the operating environment.

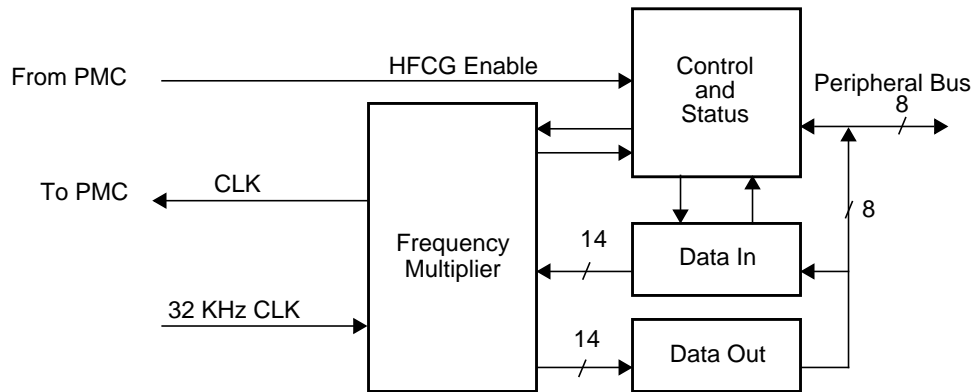


Figure 7-1. HFCG Schematic Diagram

7.2.1 Setting Clock Frequency

To change the HFCG frequency, load the HFCGN and HFCGM variables with new values. The HFCGM variable is loaded in two parts by writing to the HFCGML and HFCGMH registers.

Load the new setting (HFCGN and HFCGM values, simultaneously) into the frequency multiplier. The core writes the new variables into a data input buffer. Then, a command loads the new values into the frequency multiplier.

To set a new clock frequency:

1. Write the HFCGN value.
2. Write the HFCGML value.
3. Write the HFCGMH value.
4. Set HFCGCTRL.LOAD = 1.

When the new HFCGML, HFCGMH and HFCGN values are loaded, the HFCG holds the output clock low until the frequency multiplier locks onto the target frequency, and the new frequency stabilizes. This automatic locking process can take up to several milliseconds to complete.

Frequencies within the range of 4.00 to 10.00 are valid. See Table 7-1 for a sampling of selected frequencies and their corresponding HFCGM and HFCGN values.

Table 7-1. Frequencies of Selected Settings

Freq ¹ (MHz)	HFCGMH	HFCGML	HFCGN
4.00 (default)	04h	C5h	0Ah
5.00	05h	F6h	0Ah
6.00	07h	27h	0Ah
7.00	08h	58h	0Ah
8.00	09h	89h	0Ah
9.00	0Ah	BBh	0Ah
10.00	0Bh	ECh	0Ah

1. This value is referred to as $t_{CLKINTnom}$ in the AC specifications.

7.2.2 Fast Clock Setting

The HFCG maintains an internal 14-bit HFCGI variable. The HFCGI variable is defined by two byte-wide registers: HFCGIL and HFCGIH. If new HFCGM and HFCGN values are loaded, the frequency multiplier automatically searches for the HFCGI value needed to lock onto the target frequency. The locking process can take up to several milliseconds to complete. The HFCGI variable can be recorded for a given HFCGM and HFCGN set of values and used later to reduce the time needed for frequency locking.

To record the HFCGI value:

1. Read the HFCGIL value.
2. Check if the IVLID bit in the HFCGCTRL Register is set to 0. If yes, repeat stages 1 and 2.
3. Read the HFCGIH value.

To fast load a new setting, load the HFCGM and HFCGN values, and the corresponding HFCGI value. Then set the FAST bit in the HFCGCTRL Register to 1; the frequency multiplier quickly locks onto the target frequency without searching for a new HFCGI value.

To fast set a new clock frequency:

1. Write the HFCGN value.
2. Write the HFCGML value.
3. Write the HFCGMH value.
4. Write the HFCGIL value.
5. Write the HFCGIH value.
6. Set the FAST bit in the HFCGCTRL Register to 1.

Changes in temperature or voltage may cause variations in the value of HFCGI for a given output frequency. If these changes occur in the interval between recording the HFCGI to its use, the output frequency generated following a fast frequency setting may differ from the target frequency. However, after some time, the output frequency converges to the desired frequency.

7.3 HFCG REGISTERS

7.3.1 HFCG Control Register (HFCGCTRL)

The HFCGCTRL Register is a byte-wide, read/write register that sets the frequency multiplier's operating parameters. Upon power-up and WATCHDOG reset, bits 0 through 3 are initialized to Ch.

7	5	4	3	2	1	0
Res	IVLID	OHFC	ENABLE	FAST	LOAD	

Bit 0 - Load M and N Values (LOAD)

Write 1 to the LOAD bit to perform a normal frequency change by loading the HFCGML, HFCGMH and HFCGN buffer data to the frequency multiplier. The bit always reads back as 0. LOAD must be cleared (0) when FAST bit is set.

Bit 1 - Load M, N and I Values (FAST)

Write 1 to the FAST bit to perform a fast frequency change by loading the HFCGML, HFCGMH, HFCGN, HFCGIH and HFCGIL input buffer data in the frequency multiplier. The bit always reads back 0. FAST must be cleared (0) when LOAD is set.

Bit 2 - Multiplier Enable (ENABLE)

ENABLE is a read only bit. It provides the status of the PMC enable/disable command. Any data written to this bit is ignored.

- 0: Disabled
- 1: Enabled

Bit 3 - Output Clock Status (OHFC)

OHFC is a read only bit. It indicates when the HFCG is oscillating and produces a stable clock. Any data written to this bit is ignored.

- 0: Not oscillating
- 1: Oscillating with stable output

Bit 4 - I Value Valid (IVLID)

IVLID is a read only bit; data written to it is ignored. This bit has meaning only after the first read from the HFCGIL Register.

- 0: Data read is invalid; repeat HFCGIL Register read operation
- 1: Data read is valid; HFCGIH can be read

7.3.2 HFCGM Low Value Register (HFCGML)

The HFCGML Register is a byte-wide, read/write register containing the lower eight bits of the frequency multiplier HFCGM value. Data written to the register is stored in the setup buffer. Reading the register returns the current status of the frequency set registers. Upon power-up and WATCHDOG reset it is loaded with C5h.

7						0
HFCGM7-0						

7.3.3 HFCGM High Value Register (HFCGMH)

The HFCGMH Register is a byte-wide, read/write register containing the upper six bits of the frequency multiplier HFCGM value. Data written to the register is stored in the setup buffer. Reading the register returns the current status of the frequency set registers. Upon power-up and WATCHDOG reset, it is loaded with 04h.

7	6	5				0
Res		HFCGM13-8				

7.3.4 HFCGN Value Register (HFCGN)

The HFCGN Register is a byte-wide, read/write register containing five bits of the frequency multiplier HFCGN value. Data written to the register is stored in the setup buffer. Reading the register returns the current status of the frequency set registers. Upon power-up and WATCHDOG reset, it is loaded with 0Ah.

7	5	4			0
Res		HFCGN4-0			

7.3.5 HFCGI Low Value Register (HFCGIL)

The HFCGIL Register is a byte-wide, read/write register containing the lower eight bits of the frequency multiplier HFCGI value. Data written to the register is stored in the setup buffer. Reading the register returns the value of its first 8 bits. (The IVLID bit in the HFCGCTRL Register indicates if the data is valid.)

7	0
HFCGI7-0	

7.3.6 HFCGI High Value Register (HFCGIH)

The HFCGIH Register is a byte-wide, read/write register containing the upper six bits of the frequency multiplier HFCGI value. Data written to the register is stored in the setup buffer. Reading the register returns the current status of the frequency set registers.

7	6	5	0
Res	HFCGI8-13		

8.0 Power Mode Control (PMC)

The PMC improves the efficiency of PC87570 operation by adjusting its power consumption to the level of performance the application requires.

8.1 FEATURES

- Three power modes:
 - Active
 - Idle
 - Power Off
- Power mode switch, software and/or hardware controlled
- High Frequency Clock Generator (HFCG) enable/disable control

8.2 THE POWER MODES

Table 8-1 summarizes the main properties of the three modes.

Table 8-1. Power Mode Summary

Mode	HFCG	CLK	Power
Active	On	On	On
Idle	On or Off ¹	Off	On
Power Off	Off	Off	Battery backup only ²

1. With respect to the DHF bit in the Power Mode Control Register (PMCR)
2. Supports certain RTC features

Active Mode

In Active mode, the PC87570 operates at the frequency generated by the HFCG. You can reduce power consumption in this mode by selectively disabling modules with their respective Enable/Disable bits or when executing a WAIT instruction while IDLE or EIM (bits 2 and 5) in the PMCR Register are cleared. When WAIT is executed, the core stops executing new instructions until it receives an interrupt signal.

After reset, the PC87570 is in Active mode.

Idle Mode

In Idle mode, the clock is stopped for most of the PC87570. Only the PMC and a limited number of other modules continue to operate at the 32.768 KHz clock rate; they can wake-up the PC87570 and resume instruction execution when required.

Details of module activity in Idle mode are included in the relevant chapters for each module.

Power Off Mode

When power is turned off, the PC87570 reaches its lowest activity level. The content of the memories and registers is not preserved in this mode.

A battery supply pin (V_{BAT}) provides power to the RTC, allowing it to continue functioning even in Power Off mode. Refer to Chapter 6 for the RTC features supported by battery backup.

8.3 SWITCHING BETWEEN POWER MODES

Switching from one mode to another is accomplished by using the protocols described below. Figure 8-1 depicts the transitions between the power modes when the EIM bit of the PMCR Register is set.

8.3.1 Decreasing Power Consumption

Enter Idle mode by setting the EIM and IDLE bits of the PMCR Register, and then executing the WAIT instruction.

To further reduce power consumption, you can disable the HFCG by setting the DHF bit of the PMCR Register before executing the WAIT instruction.

Enter Power Off mode by turning off the power to the V_{CC} pins of the PC87570.

The \overline{PFAIL} input, which is the non-maskable interrupt (NMI) source, may be used to interrupt the PC87570 to complete content saving to a non-volatile memory and to stop write operations to the RTC, before power to the PC87570 is disconnected.

8.3.2 Increasing Performance

Wake-Up from Idle mode to Active is a hardware wake-up event that causes the PC87570 to switch directly from Idle mode to Active mode. The core resumes operation by executing an interrupt routine. A wake-up event may have one of three sources:

- A maskable event (from MIWU)
- An NMI
- An ISE interrupt in Dev environment only.

The wake-up is identified by a high level on the maskable event, and a high to low transition on the NMI or ISE interrupts. Once a wake-up event is detected, it is latched until an interrupt acknowledge bus cycle is detected, or reset is applied. One exception is the wake-up on host transaction, which causes the core to continue executing the WAIT instruction until an interrupt occurs.

Waking up to Active mode clears the IDLE bit of the PMCSR Register.

Exit from Power Off and resume activity in Active mode by applying power to the PC87570 (V_{CC}). The power-up reset sequence described in Section 2.3 on page 26 is used.

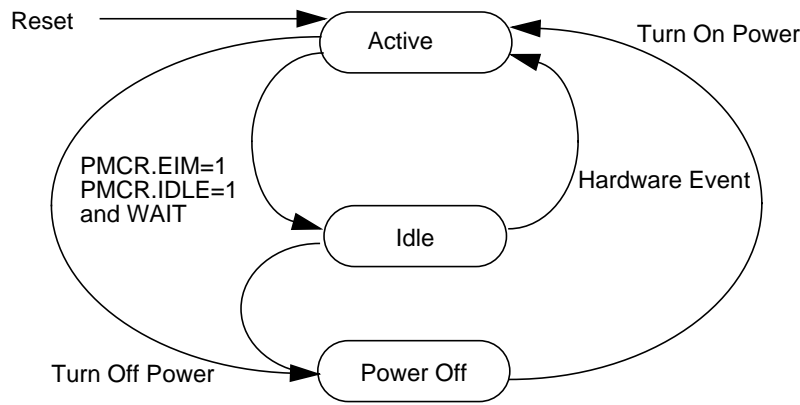


Figure 8-1. Power Modes and Transitions

8.4 POWER MODE CONTROL REGISTER (PMCR)

The PMCR Register is a byte-wide, read/write register that enables you to switch from Active to Idle mode. In addition, it controls the operation of the HFCG in Idle mode by enabling or disabling it. The PC87570 enters Idle mode after execution of a WAIT instruction. The PMCR Register must be set before executing the WAIT instruction.

Upon reset, the non-reserved bits of PMCR are cleared.

7	6	5	4	3	2	1	0
Reserved	EIM	Reserved	IDLE	DHF	Res		

- Bit 1 - Disable High Frequency Clock Generator (DHF)
- 0: HFCG remains enabled after entering Idle mode; waking up to Active mode clears this bit
 - 1: HFCG disabled only after WAIT instruction is executed and Idle mode is entered

- Bit 2 - IDLE
- 0: PC87570 remains in Active mode after WAIT instruction is executed
 - 1: PC87570 can enter Idle mode, depending on setting of EIM bit; waking up to Active mode clears this bit

- Bit 5 - Enable Idle Mode (EIM)
- 0: Idle mode not enabled
 - 1: Active to Idle mode switch enabled, performed by setting IDLE bit and executing a WAIT instruction.

8.5 USAGE HINTS

The hints below apply when you enter Idle mode and disable the HFCG.

1. When disabling HFCG in Idle mode, a frequency clock may be generated that differs from the selected setting, due to temperature variations in your working environment. For details, refer to "tCLKINTwk" on page 138. To avoid any failures that may result from waking up to a higher frequency than zone 0 of the External Memory can handle, follow the procedures exactly. Before entering Idle mode, configure SZCFG0 for an additional Wait clock cycle (see the BIU, Section 3.5.3 on page 45, for details on SZCFG0 configuration).
2. After waking up from Idle mode, wait 0.5 seconds before returning to your previous SZCFG0 configuration.

9.0 Interrupt Control Unit (ICU)

The ICU is a sixteen-channel interrupt control unit. It interfaces between the internal/external interrupt requests and the CompactRISC CR16A core. It generates both maskable and non-maskable interrupts.

9.1 FEATURES

Non-Maskable Interrupts (NMI)

- Handles one NMI source
- Generates an NMI to the core.

Maskable Interrupts

- 16 interrupt sources
- Supports CR16A vectored interrupts
- Fixed priority among interrupt sources
- Individual enable/disable of each interrupt source
- Supports polling by an interrupt pending register
- Programmable triggering mode and polarity.

9.2 FUNCTIONAL DESCRIPTION

9.2.1 NMI

The ICU receives an NMI signal from an external source through the PFAIL pin. Despite its name, this pin may be used as a general purpose NMI request source. The signal originating from this pin is fed through the ICU into the core's NMI input.

When NMI processing begins, the core performs an interrupt acknowledge core-bus cycle. The address associated with this core bus cycle (0FF00h) is found within the internal address space and may be monitored in the development system (see Sections 18.4 on page 130 and 3.4 on page 44).

After reset, PFAIL must be inactive until the firmware initializes the interrupt table and the interrupt base.

To generate a trap, a falling edge on the PFAIL pin is asynchronously detected. When this occurs, PFAIL (bit 0) in the NMISTAT Register is set to 1 and an NMI request to the core is issued.

The PFAIL pin has Schmidt trigger characteristics and an internal synchronization circuit; no external synchronizing circuit is needed.

9.2.2 Maskable Interrupts

The ICU receives interrupt signals from internal and external sources, and generates a vectored interrupt to the CR16A when required. Priority among the interrupt sources is fixed (see the Priority column in Table 9-2). Each interrupt source can be individually enabled or disabled. Pending interrupts, enabled or disabled, can be polled using the interrupt pending register.

When processing of a maskable interrupt begins, the core performs an interrupt acknowledge core-bus cycle. The address associated with this core bus cycle, 0FE00h, is found within the internal address space and may be monitored in the development system (see "Monitoring Activity During Development" on page 2-172). IVCT is read in the interrupt acknowledge cycle and its data is the interrupt vector number.

9.2.3 Edge/Level and Polarity Selection

The ICU triggering mode and polarity of each interrupt source (individually) are both programmed via the Interrupt Edge/Level Trigger Register (IELTG) and the Interrupt Trigger Polarity Register (ITRPL).

Both the polarity and the triggering mode of the interrupt signals that are generated on-chip are fixed. It is the firmware's task to program the respective bits in IELTG and ITRPL as required.

Program the respective bits of IELTG and ITRPL Register s, to control the ICU mode and polarity, as follows:

Table 9-1. Interrupt Type Programming

IELTG.i	ITRPL.i	Mode
0	0	Low Level
0	1	High Level
1	0	Falling Edge
1	1	Rising Edge

9.2.4 Pending Interrupts

Edge-triggered interrupts are latched by the Interrupt Pending Register (IPEND). A pending edge-triggered interrupt is cleared by writing the required value to the Edge Interrupt Clear Register (IECLR). A pending level-triggered interrupt is cleared only when the interrupt source is not active.

The Interrupt Vector Register (IVCT) holds the pending Interrupt vector of the non-masked interrupt with the highest priority (highest number). IVCT is automatically read during the interrupt acknowledge cycle. Interrupt vector numbers are always positive, in the range 20h to 2Fh.

Pending interrupt bits and interrupt mask bits (i.e., Interrupt Enable and Mask, IENAM, and IPEND Register bits), may be cleared to 0 only when interrupts are disabled, i.e., the PSR.I and/or PSR.E bits are 0. IENAM bits may be set at any time.

9.2.5 External Interrupt Inputs

The external interrupt inputs are asynchronous. They are recognized by the PC87570 during clock cycles in which the input setup and hold time requirements are satisfied. To use an external interrupt that is shared with an I/O port, configure the I/O port to its alternate function (see Table 2-5 on page 27).

9.2.6 Interrupt Assignment

Table 9-2 shows the mapping of the ICU Maskable interrupts to different functions. The interrupt mapping is fixed. When interrupts from internal sources are used, the firmware should program their types (edge/level and polarity) according to the "type" field in Table 9-2. For Internal interrupts, refer to the module which is the interrupt source for information on mask bits and on the clear mechanism of level interrupts.

Table 9-2. Interrupt Assignment List

Interrupt	Source	Type	Description	Priority
INT0	External		External Interrupt 0 (EXINT0) ¹ , through the MIWU	Lowest
INT1	Internal	High Level	Host I/F Keyboard/Mouse channel output buffer empty	
INT2	Internal	High Level	Host I/F Power Management channel output buffer empty	
INT3	Internal	High Level	MIWU WKINTA (PS2, APC-ON, ACCESS.bus wakeup) or WKO24 (APC-OFF ²)	
INT4	Internal	High Level	MFT16 interrupt (INT1 OR'ed with INT2)	
INT5	Internal	High Level	ADC interrupt	
INT6	Internal	High Level	ACCESS.bus interrupt	
INT7	Internal	High Level	MIWU WKINTC Internal Keyboard Scan Interrupt (KBSINT)	
INT8	Internal	Rising Edge	TWM system tick (TOOUT), through the MIWU ³	
INT9	External		SWIN input ¹ , through the MIWU	
INT10 ⁴	Internal	Falling Edge	PS/2 interface channel 3 (PSINT3)	
	External		External interrupt 10 (EXINT10) ¹ , through the MIWU	
INT11 ⁵	Internal	Falling Edge	PS/2 interface channel 2 (PSINT2)	
	External		External interrupt 11 (EXINT11) ¹ , through the MIWU	
INT12	Internal	High Level	PS/2 shift mechanism (PSINT1)	
	Internal	Falling Edge	PS/2 interface channel 1	
INT13	Internal	High Level	Host I/F Keyboard/Mouse IBF	
INT14	Internal	High Level	Host I/F Power Management IBF	
INT15	External		External interrupt 15 (EXINT15) ¹ , through the MIWU	Highest

1. To enable the external interrupt, set the pin to its alternate function. When used as I/O port signals the External interrupt input is forced to 0.
2. This interrupt is an OR of the two MIWU outputs. When no WKINTA is an input, disable it by clearing the respective bit in WKEN1. When the APC-OFF event is not in use, disable it by clearing the CST2.APCOFFE bit.
3. When in Active mode, you should disable the TOOUT channel of the MIWU, if not required. This saves the need to clear the pending bit in the MIWU on each interrupt.
4. INT10 is the logic OR of EXINT10 after the MIWU and PSINT3. For efficient operation, only one of them should be enabled at a time.
5. INT11 is the logic OR of EXINT11 after the MIWU and PSINT2. For efficient operation, only one of them should be enabled at a time.

9.3 ICU REGISTERS

9.3.1 NMI Status Register (NMISTAT)

The NMISTAT Register is a byte-wide, read only register. It holds the status of the PFAIL NMI request. NMISTAT is cleared each time its contents are read. Non-reserved bits of NMISTAT are cleared on reset.

7	1	0
Reserved		PFAIL

Bit 0 - Power Fail Input (PFAIL)

PFAIL indicates that a falling edge was detected on the PFAIL pin.

9.3.2 Power Fail Control Register (PFAIL)

The PFAIL Register is a byte-wide read/write register. It provides control over the early power fail indication NMI. This register is cleared by hardware on reset.

7	2	1	0
Reserved		PIN	EN

Bit 0 -PFAIL Trap Enable (EN)

An NMI trap is generated when the EN bit is set, and the PFAIL pin changes its value from high to low. The bit is cleared by hardware on reset, and whenever the trap occurs. The EN bit can be set and cleared by PC87570's firmware.

Bit 1 - PFAIL Pin Value (PIN)

Holds the current (non-inverted) PFAIL pin value. PIN is a read only bit; data written to it is ignored.

9.3.3 Interrupt Vector Register (IVCT)

The IVCT Register is a byte-wide, read only register. It holds the vector number of the interrupt vector. IVCT is set to 20h upon reset.

7	6	5	4	3	0
0	0	1	0	INTVECT	

Bits 3-0 -Interrupt Vector (INTVECT)

This field contains the encoded value of the highest priority, enabled, pending interrupt. It is valid during an interrupt acknowledge core bus cycle in which IVCT is read. It may contain invalid data when INTVECT is updated.

9.3.4 Interrupt Enable and Mask Register (IENAM)

The IENAM Register is a word-wide, read/write register. Each of the bits of IENAM enables the respective interrupt input of the ICU (i.e., bits 0 through 15 correspond to INTO through INT15, respectively). IENAM is cleared on reset. IENAM bits can be cleared only when interrupts are disabled. Each bit is encoded as follows:

- 0: Interrupt disabled
- 1: Interrupt enabled

9.3.5 Interrupt Pending Register (IPEND)

The IPEND Register is a word-wide, read only register. It indicates which interrupts are pending, regardless of the contents of the corresponding IENAM bit. Bits 0 through 15 of IPEND correspond to interrupts INTO through INT15, respectively. After reset, IPEND bits are undefined. Each bit is encoded as follows:

- 0: Interrupt not pending
- 1: Interrupt pending

9.3.6 Edge Interrupt Clear Register (IECLR)

The IECLR Register is a word-wide, write only register used to clear pending, edge-triggered interrupts. Writing to the bit positions of level-triggered interrupts has no effect. Bits 0 through 15 of IECLR correspond to INTO through INT15, respectively. Each bit is encoded as follows:

- 0: No effect
- 1: Clear the corresponding pending interrupt

9.3.7 Edge/Level Trigger Configuration Register (IELTG)

The IELTG Register is a word-wide, read/write register. Each bit defines the way that the corresponding interrupt request is triggered, either edge-sensitive or level-sensitive. Bits 0 through 15 of IELTG correspond to INTO through INT15, respectively. Each of IELTG bits is encoded as follows:

- 0: Level-sensitive
- 1: Edge-sensitive

9.3.8 Trigger Polarity Configuration Register (ITRPL)

The ITRPL Register is a word-wide, read/write register. It controls the triggering polarity of the ICU. Bits 0 through 15 of ITRPL correspond to INTO through INT15, respectively. Each of ITRPL bits is encoded as follows:

Level-sensitive trigger type:

- 0: Low level
- 1: High level

Edge-sensitive trigger type:

- 0: Falling edge
- 1: Rising edge

9.4 USAGE HINTS

9.4.1 Initializing

1. Initialize the INTBASE register of the core.
2. Program the interrupts' triggering mode and polarity.
3. Prepare the interrupt routines of the interrupts used.
4. Clear pending edge-interrupts used.
5. Set the relevant bits of IENAM.
6. Enable the core interrupt.

9.4.2 Clearing

To prevent spurious interrupts (CR16A detection of interrupts not reflected by IVCT), perform the following operations only when interrupts are disabled:

1. Clearing an interrupt request
2. Changing the triggering mode or polarity
3. Clearing IENAM bits. These bits should be cleared while the CR16A interrupts are disabled (i.e., PSR.I bit and/or PSR.E bit is cleared).

9.4.3 Nesting

You can use the IENAM Register in interrupt handlers to allow nesting of interrupts. When the core acknowledges an interrupt, it disables maskable interrupts by clearing the PSR.I bit, and executes the interrupt service routine. This routine can enable nested interrupts by setting the PSR.I bit, and can use the IENAM Register to control which interrupts are allowed.

10.0 Multi-Input Wake-Up (MIWU)

The MIWU allows the device to exit Idle state. In addition, it provides signal conditioning and grouping of external interrupt sources.

10.1 FEATURES

- Supports up to 24 wake-up or interrupt inputs
- Generates a wake-up signal to PMC
- Generates interrupt signals to the ICU
- Provides user-selectable trigger condition on each input:
 - Rising edge
 - Falling edge
- Provides individual enable and pending bits per input.

10.2 FUNCTIONAL DESCRIPTION

The MIWU detects a valid software-selectable trigger condition on any of its inputs. On detection of a valid trigger condition, the MIWU generates a wake-up request and/or an interrupt request. The wake-up request can be utilized by the PMC to exit Idle mode and return to Active mode. The interrupt requests are used to signal the ICU that an edge-triggered external or internal interrupt condition has occurred.

Table 10-1 lists the MIWU sources and interrupts used in the PC87570. Figure 10-1 provides a schematic diagram of the MIWU.

Table 10-1. Input Assignments

Source		Destination	
Name	MIWU Input	Interrupt Name	MIWU Output
PSCLK1	WUI10	MIWU1	WKINTA
PSCLK2	WUI11		
PSCLK3	WUI12		
PSDAT1	WUI13		
PSDAT2	WUI14		
PSDAT3	WUI15		
ACCESS.bus Wake-Up ¹	WUI16		
APC-ON event ²	WUI17		
EXINT0	WUI20	INT0	WKO20
EXINT10	WUI21	INT10	WKO21
EXINT11	WUI22	INT11	WKO22
EXINT15	WUI23	INT15	WKO23
APC-OFF Event ¹	WUI24	INT3 ³	WKO24
SWIN	WUI25	INT9	WKO25
Host Bus Read or Write ⁴	WUI26	- ⁵	WKO26
T0OUT ¹	WUI27	T0OUTINT	WKO27
KBSIN0	WUI30	KBSINT	WKINTC
KBSIN1	WUI31		
KBSIN2	WUI32		
KBSIN3	WUI33		
KBSIN4	WUI34		
KBSIN5	WUI35		
KBSIN6	WUI36		
KBSIN7	WUI37		

1. Program the input to detect rising edge of the input event.
2. Use falling edge to prevent losing events. This delays the wake-up until the end of the APC output pulse.
3. The ICU is provided with the OR of WKINTA and WKO24 as the interrupt input.
4. The wake-up input is triggered when the host accesses the PC87570. See Section 5.11.7 on page 54. Configure the WUI26 for falling edge detection.
5. This input does not generate an interrupt.

Multi-Input Wake-Up (MIWU)

FUNCTIONAL DESCRIPTION

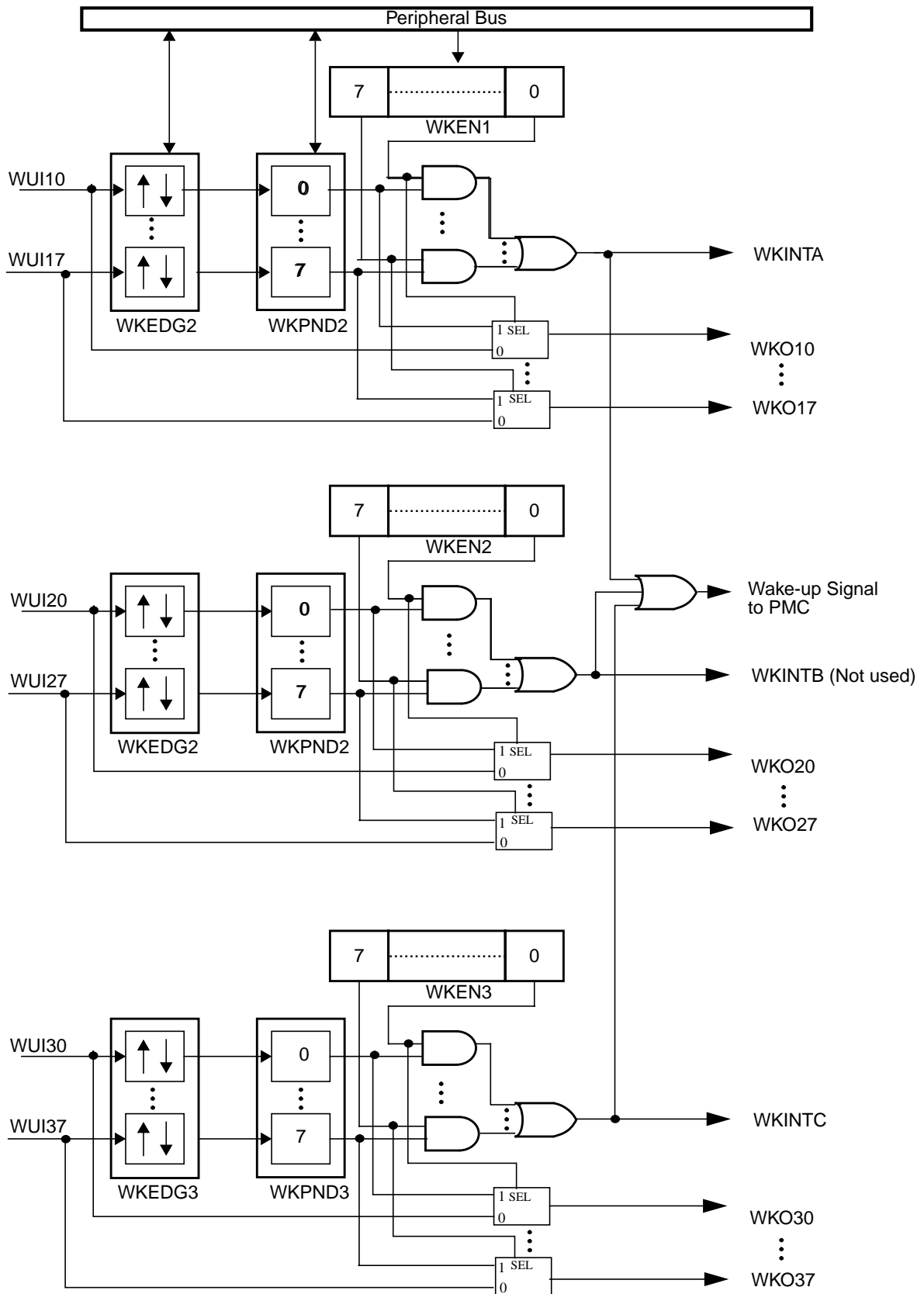


Figure 10-1. MIWU Functional Diagram

The MIWU is active while in Idle state. In this state, all clocks of the device are stopped. Therefore the detection of a trigger condition on an input, and the resulting set of the pending flag, are not synchronous to the system clock.

10.2.1 Trigger Conditions

Through the WKEDGx registers you can select the trigger condition on the selected input signal as either positive edge (low-to-high transition) or negative edge (high-to-low transition).

10.2.2 Pending Flags

An occurrence of the selected trigger condition for the MIWU is latched into a pending register, WKPNDx. The respective bits of WKPNDx are set on an occurrence of the selected trigger edge on the corresponding input signal.

Since the WKPNDx register holds a pending wake-up condition until it is cleared, the device does not enter the Idle state if any wake-up bit is both enabled and pending. Consequently, you must clear the pending flags before attempting to enter the Idle state.

10.2.3 Input Enable

The MIWU utilizes multiple multi-input wake-up signals. Setting the appropriate bits in the WKENx registers selects which particular wake-up signal causes the device to exit the Idle state.

10.2.4 Interrupts

The combined output of all pending and enabled channels of the MIWU module generates the wake-up signal which is fed into both the PM module and the ICU. Therefore, each wake-up of the device, except for wake-up on host access, can be followed by a wake-up interrupt. Since the device cannot enter some of the power reduction states without the CR16A executing a WAIT instruction, the wake-up interrupt must terminate the WAIT instruction on wake-up.

The MIWU module also provides signal conditioning and grouping of events which can be used to generate interrupt requests.

WKO20-WKO25 and WKO27 are connected to the ICU to generate an interrupt associated with the specific MIWU output. The WKOx behaves as follows:

- When WKENx is cleared, the WUIx is connected to the ICU directly (bypassing the edge detectors and pending bits). The ICU can be configured for using the signal as a level or edge triggered interrupt.
- When WKENx is enabled, the output of the pending bit, WKPNDx is connected to WKOx.

The Mask Register in the ICU enables/disables Interrupts caused by WKOx. In addition, the MIWU provides interrupt request lines WKINTA and WKINTC (see Figure 10-1). These are routed to the ICU, and can request an interrupt if a valid trigger condition occurred on any of the enabled input sources within a group of eight.

10.2.5 Input Assignments

For information on MIWU input assignments, including a detailed device-specific summary, see Table 10-1.

10.3 MIWU REGISTERS

10.3.1 Edge Detection Register 1 (WKEDG1)

The WKEDG1 Register is a byte-wide, read/write register that configures the trigger condition of the input signals WUI10 to WUI17. The register is cleared on reset. This configures all associated input signals to be triggered on a falling edge.

7	0
WKEDG17-WKEDG10	

Bits 7-0 - Wake-Up Edge Selection (WKEDG17-10)

For inputs WUI17 through WUI10. Each bit is associated with one of eight inputs.

0: Low-to-high transition

1: High-to-low transition

10.3.2 Edge Detection Register 2 (WKEDG2)

The WKEDG2 Register is a byte-wide, read/write register that configures the trigger condition of the input signals WUI20 to WUI27. The functionality of the register is identical to the WKEDG1 Register described above.

10.3.3 Edge Detection Register 3 (WKEDG3)

The WKEDG3 Register is a byte-wide, read/write register that configures the trigger condition of the input signals WUI30 to WUI37. The functionality of the register is identical to the WKEDG1 Register described above.

10.3.4 Pending Register 1 (WKPND1)

The WKPND1 Register is a byte-wide, read/write register that latches the occurrence of a selected trigger condition associated with the input signals WUI10 to WUI17. On reset, WKPND1 Register is cleared (0). This indicates that no occurrence of the selected trigger condition is pending.

Note:

While software can set the register bits, only the WKPCL1 register can clear them. Writing a 0 to any of the bits leaves their values unchanged.

7	0
WKPND17-WKPND10	

Bits 7-0 - Wake-Up Pending (WKPND17-10)

If set, indicates that a valid trigger condition has occurred on the associated input.

10.3.5 Pending Register 2 (WKPND2)

The WKPND2 Register is a byte-wide, read/write register that latches the occurrence of a selected trigger condition associated with the input signals WUI20 to WUI27. For a detailed description of the register see the above description of the WKPND1 Register.

10.3.6 Pending Register 3 (WKPND3)

The WKPND3 Register is a byte-wide, read/write register, that latches the occurrence of a selected trigger condition associated with the input signals WUI30 to WUI37. For a detailed description of the register see the above description of the WKPND1 Register.

10.3.7 Wake-Up Enable Register 1 (WKEN1)

The WKEN1 Register is a byte-wide, read/write register, that enables a wake-up function of the associated input signals WUI10 to WUI17. On reset, WKEN1 is cleared (0). This disables the associated input signals.

7	0
WKEN17-WKEN10	

Bits 7-0 - Wake-Up Enable (WKEN10-17)

If set (1), a valid trigger condition on the associated input generates a wake-up signal or EXTINTx interrupt request.

If cleared (0), the associated input does not generate a wake-up signal but may generate an interrupt request if the corresponding MIWU output is routed to the ICU.

10.3.8 Wake-Up Enable Register 2 (WKEN2)

The WKEN2 Register is a byte-wide, read/write register, that enables a wake-up function of the associated input signals WUI20 to WUI27. For a detailed description of the register see the above description of the WKEN1 Register.

10.3.9 Wake-Up Enable Register 3 (WKEN3)

The WKEN3 Register is a byte-wide, read/write register, that enables a wake-up function of the associated input signals WUI30 to WUI37. For a detailed description of the register see the above description of the WKEN1 Register.

10.3.10 Pending Clear Register 1 (WKPCL1)

The WKPCL1 Register controls the clearing (0) of the pending bits associated with the WUI10 through WUI17 inputs. This avoids potential hardware/software collisions during read-modify-write operations. The register is a byte-wide write-only register.

7	0
WKPCL17-WKPCL10	

Bits 7-0 - Wake-Up Pending Clear (WKPCL10-17)

If any bit is set to 1, the associated pending flag located in WKPND1 is cleared (0). Writing a 0 to any bit position leaves the value of the corresponding pending flag unchanged.

10.3.11 Pending Clear Register 2 (WKPCL2)

The WKPCL2 Register controls the clearing (0) of the pending bits associated with the WUI20 through WUI27 inputs. For a detailed description of the register, see the above description of the WKPCL1 Register.

10.3.12 Pending Clear Register 3 (WKPCL3)

The WKPCL3 Register controls the clearing (0) of the pending bits associated with the WUI30 through WUI37 inputs. For a detailed description of the register, see the above description of the WKPCL1 Register.

10.4 USAGE HINTS

1. To change an edge select, perform the following steps to avoid a pseudo wake-up condition as a result of the edge change:
 - a. Clear the associated WKENx bit, followed by the edge select change in the WKEDGx Register.
 - b. Clear the associated WKPCLx bit, then re-enable the associated WKENx bit.
2. The correct use of the MIWU circuit, which avoids false triggering of a wake-up condition, requires the following sequence of actions. Use the same procedure following a Reset since the wake-up inputs are left floating, producing unknown data on the MIWU input signals.
 - a. Clear the WKENx Register, or if used as an interrupt, disable the interrupt via the ICU.
 - b. Write the WKEDGx Register to select the desired type of edge sensitivity for each of the pins used.
 - c. Clear the WKPCLx Register to cancel any pending bits.
 - d. Either set the WKENx bits associated with the pins to be used, thus enabling them for the wake-up/interrupt function, or re-enable the interrupt via the ICU.
3. On Reset, the WKEDGx Register is configured to select positive-going edge sensitivity for all wake-up inputs. To change the edge sensitivity of an input signal, while avoiding false triggering of a wake-up/interrupt condition, use the following procedure.
 - a. Clear the WKENx bit associated with the WUIxx input to disable that input.
 - b. Write the WKEDGx Register to select the new type of edge sensitivity for the specific input.
 - c. Clear the WKPCLx bit associated with the WUIxx input.
 - d. Set the WKENx bit associated with the WUIxx input to re-enable it.

11.0 General Purpose I/O (GPIO) Ports

The PC87570 provides up to 76 GPIO pins. Some GPIO signals share their pins with an alternate function (see Section 2.5 on page 27).

11.1 FEATURES

The GPIO ports are subdivided into the following groups, each with its own unique set of features:

- Ports PA(0-6), PB(0-7), PC(0-7) and PE(0-1) are on-chip bidirectional (I/O) ports that support GPIO alternate functions and an internal weak pull-up. The following exceptions apply:
 - PA has no PxALT register. Its alternate function is controlled by a strap option.
 - PBALT.6 is always 1, i.e., configured for its alternate function.
 - PBDIR.5 and PBDOUT.5 are set on reset, configuring bit 5 to be output with data set. PBALT.5 must always be set to 0.
 - Port PC is initialized on power-up and WATCHDOG reset only. It is unchanged after Warm reset.
- Ports PF(0-7), PG(0-4) and PH(0-5) are bidirectional (I/O) ports that support GPIO alternate functions but do not have an internal weak pull-up option.
- Port PD(0-7) is on-chip input only.
- Port KBSIN0-7 is an on-chip input port dedicated to the keyboard scan with weak pull-up support.
- Port KBSOUT0-15 is an on-chip output port dedicated to the keyboard scan.

Figure 11-1 illustrates a GPIO port diagram which includes all available features.

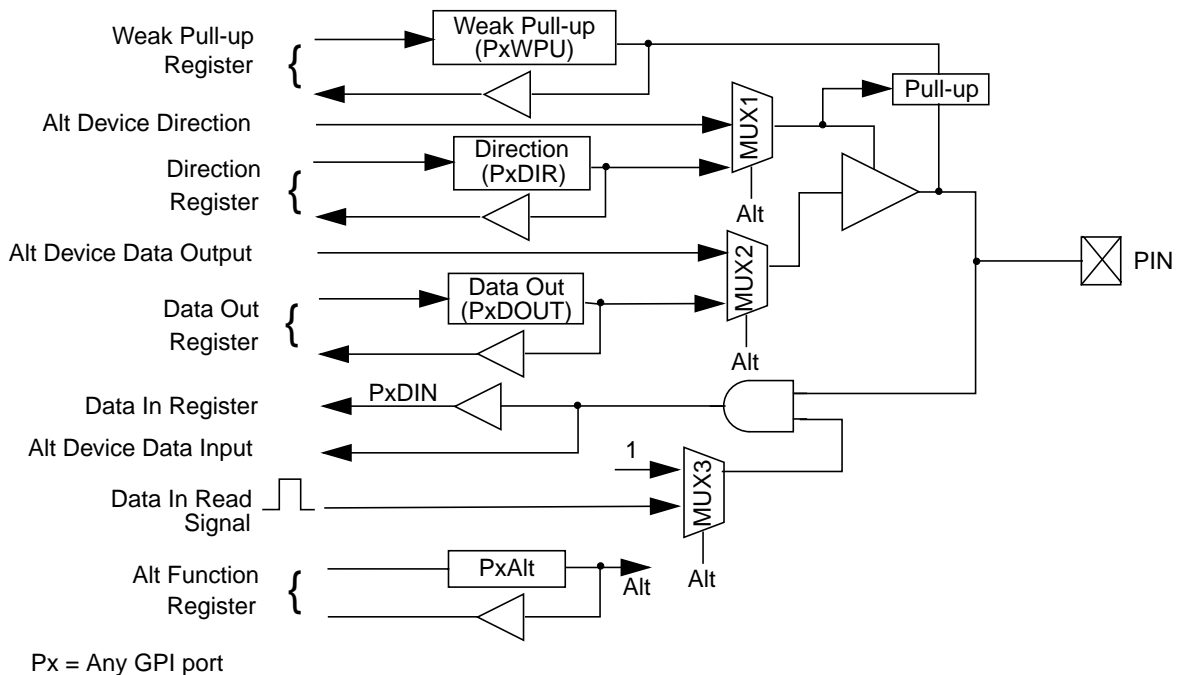


Figure 11-1. GPIO Port Schematic Diagram

11.2 FUNCTIONAL DESCRIPTION

11.2.1 Output Buffer

The output buffer is a TRI-STATE buffer. The output type (i.e., CMOS or TTL) and its driving capabilities are described in Table 19-7 on page 135.

11.2.2 Input Buffer

The I/O port input buffer characteristics are defined in Table 19-7 on page 135.

The input buffer has an enable input. When enabled, the buffer inputs the pin's logic level to the on-chip modules. When disabled, the input is blocked to prevent supply leakage currents.

11.2.3 Open Drain

To use the GPIO pin as an inverting open-drain output buffer, the software should clear the corresponding bit in the Data Out (PxDOOUT) register, and then use the direction register to set the value to the port pin.

- When the signal's direction is set as output (1), a value of 0 is forced.
- When the direction is set for input (0), the signal is in TRI-STATE and is not forced low.

11.2.4 Weak Pull-Up

The internal weak pull-up can be used to pull-the signal high when it is not forced low, by writing (1) to the corresponding bit of PxWPU. Pull-up characteristics are defined in Table 19-7 on page 135.

11.3 GPIO PORT REGISTERS

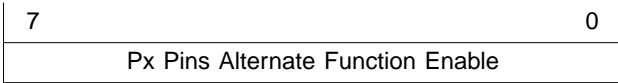
11.3.1 Port Alternate Function Register (PxALT)

The PxALT Register is a byte-wide, read/write register. It determines if the port will be used as a GPIO port or in its alternate function.

When cleared (0), each bit defines the corresponding pin to serve as a GPIO signal. The output buffer is controlled by the Direction and Data Output registers. The input buffer is routed to the Data In Register. In this case, the input buffer is blocked, except when the buffer is actually being read

When set (1), each bit defines the pin as its alternate function. The output buffer data and TRI-STATE are controlled by signals coming from the alternate module. The input buffer is always enabled. The pull-up is enabled when both the PxWPU is set and the alternate function is either input or bi-directional.

This register is cleared on reset, setting the pins to GPIO signals.



11.3.2 Port Direction Register (PxDIR)

The PxDIR Register is a byte-wide, read/write register that configures pin direction.

When cleared (0), each bit defines the corresponding pin to serve as an input, placing the output buffer in TRI-STATE.

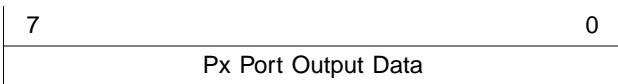
When set (1), each bit defines the pin as an output, enabling the output buffer.

On reset, PxDIR is cleared (0). This configures all the pins in port Px as input.



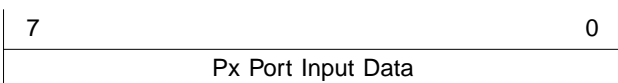
11.3.3 Port Data Out Register (PxDOOUT)

The PxDOOUT Register is a byte-wide, read/write register. It holds the data to be driven onto the pin, when the respective pin is configured as GPIO and its direction is set as output. Writing this register sets the values of the output pins. Reading from it returns the last value written to the register.



11.3.4 Port Data In Register (PxDIN)

The PxDIR Register is a byte-wide, read-only register. Reading from it returns the current value of the port pins. This register can always be read.



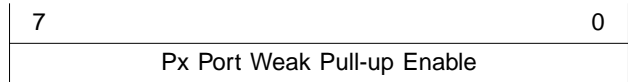
11.3.5 Port Weak Pull-up Register (PxWPU)

The PxWPU Register is a byte-wide, read/write register, controlling the pin pull-up. The pull-up is enabled when the corresponding bit of PxWPU is set and the port buffer is in TRI-STATE. Otherwise, the pull-up is disabled (i.e., high impedance).

When the pin is configured as an input port, this pull-up can be used to prevent the input from being in an undefined state. When the pin is configured as an output port, this pull-up is disabled.

In both GPIO or alternate function, the pin pull-up function is enabled by PxWPU.

On reset, PxWPU is cleared (0), disabling all pull-ups.



12.0 PS/2 Interface

Industry-standard PC-AT-compatible keyboards use a two-wire, bidirectional TTL interface for data transmission. Several vendors also supply PS/2 mouse products and other pointing devices that employ the same type of interface. The PC87570 provides three PS/2 data transfer channels. Each channel has two quasi-bidirectional signals that serve as direct interfaces to an external keyboard, mouse or any other PS/2-compatible pointing device. Since the three channels are identical, the connector ports are interchangeable.

12.1 FEATURES

- Three PS/2 channels
- Enable/Disable for each of the three channels
- Automatic hardware shift mechanism
- Hardware support for PS/2 auxiliary device protocol
- Processor interrupts at the beginning and end of data transfer
- Optional software-based PS/2 implementation

12.2 FUNCTIONAL DESCRIPTION

12.2.1 Configuration

The PS/2 interface includes six external signals (PSCLK1, PSDAT1, PSCLK2, PSDAT2, PSCLK3 and PSDAT3) and six registers. Channels 1 and 2 always have assigned pins. A special configuration, shown in Figure 12-1, is required to also make channel 3 available. See Section 12.5 for register details.

12.2.2 Shift Mechanism

The shift mechanism is a proprietary hardware accelerator that offloads bit level handling of data transfer from the firmware to hardware. It can be enabled to operate in Receive or Transmit mode, or disabled. Different states in each mode define the progress of data transfer.

Shift Mechanism Enabled

PS/2 devices' firmware is significantly simplified when the shift mechanism is enabled. Using the shift mechanism to receive or transmit PS/2 data reduces code overhead and performance requirements from the CompactRISC CR16A core, and improves the overall interrupt latency of the PC87570. The shift mechanism includes an 8-bit shift register, a state machine and control logic that handle both incoming and outgoing data.

Shift Mechanism Disabled

Previous generation keyboard controllers executed the PS/2 device interface by toggling and monitoring the PS/2 device interface signals via firmware. The PC87570 also supports this bit toggling mode with polling or interrupt-driven, clock edge detection by disabling the shift mechanism. The hardware is designed to meet the PS/2 device interface as defined in "Keyboard and Auxiliary Device Controller (Types 1 and 2)" - August 1988.

12.2.3 Quasi-Bidirectional Drivers

The quasi-bidirectional drivers have an open drain output (Q2), an internal pull-up (Q3) and a low impedance pull-up (Q1). Q2 pulls the signal low whenever the output buffer data is "0". The weak pull-up (Q3) is active whenever the output buffer data is "1" and PSCON.WPUEN is set (1). The low impedance pull-up is active whenever the PC87570 changes the output data buffer from "0" to "1", thereby reducing the low to high transition time. The low impedance pull-up active duration is determined by PSCON.HDRV field. A schematic description of this output driver appears in Figure 12-3.

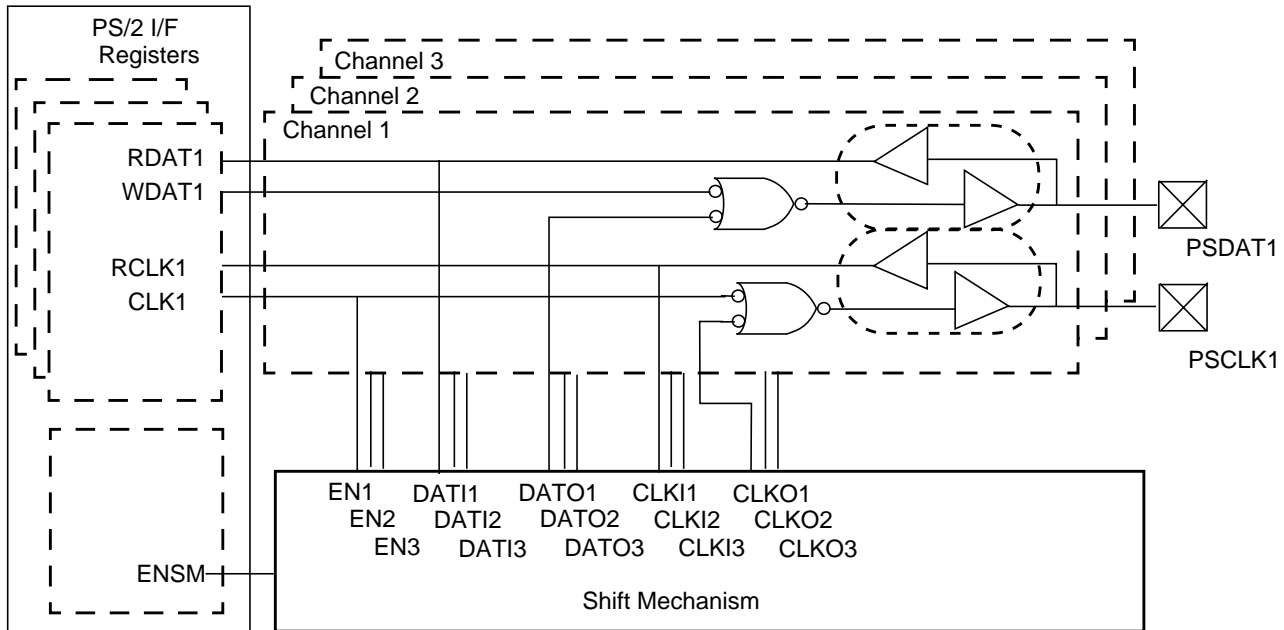


Figure 12-1. PS/2 Interface Functional Diagram

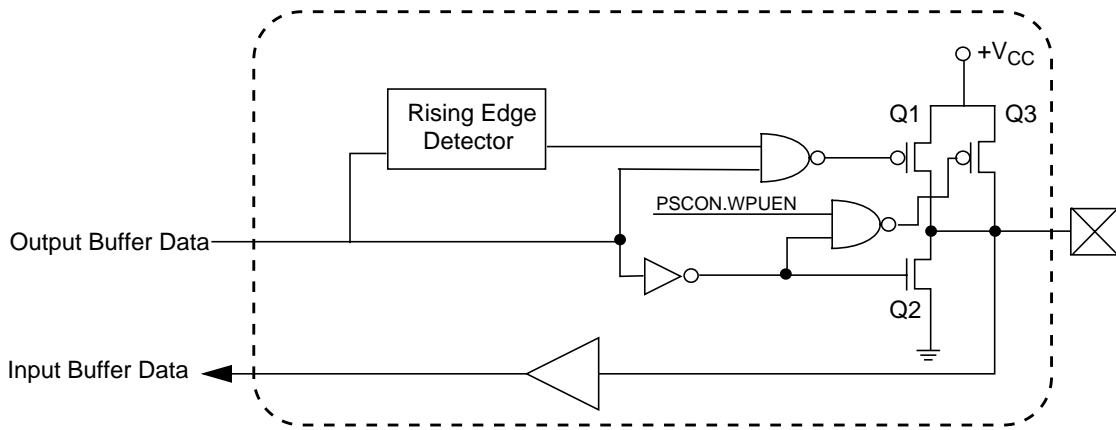


Figure 12-3. Quasi Bidirectional Buffer

12.2.4 Interrupt Signals

The firmware can use an interrupt driven scheme to implement the PS/2 device interface. When the shift mechanism is not in use, three interrupts are available: PSINT1, PSINT2 and PSINT3, one for each channel. When the shift mechanism is in use, only one interrupt signal is used (PSINT1). More details on the use of the interrupts are provided in Section 12.2.5. Figure 12-2 illustrates the interrupt scheme with the associated enable bits.

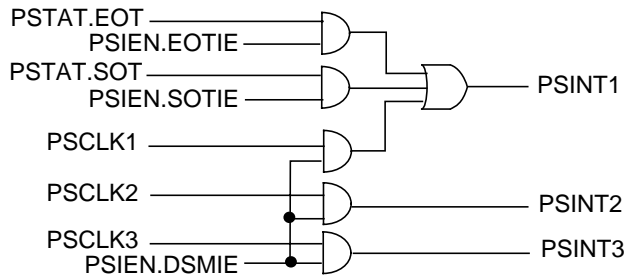


Figure 12-2. PS/2 Interface Interrupt Signals

12.2.5 Power Modes

The PS/2 interface is active only when the PC87570 is in Active mode. The shift mechanism should be disabled before entering Idle mode. In Idle mode, the state of output signals cannot be changed (i.e., the firmware cannot write to PSOSIG register and the shift mechanism does not function).

When the PC87570 must wake up on a Start bit detection by the MIWU, the PS/2 channels that may serve as wake-up event sources must be enabled before entering Idle mode. To enable them, set their corresponding CLK bits in the PSOSIG Register.

The MIWU module can be used to identify a start bit in Idle mode and to turn the PC87570 back to Active mode. The MIWU receives PSCLK1, PSCLK2, PSCLK3, PSDAT1, PSDAT2 and PSDAT3 signals as inputs (see Table 2-5 on page 27). It should be programmed to identify a low level on the clock or data lines of the enabled channels. In this configuration, a start bit causes the PC87570 to switch from Idle mode to Active mode. Once Active mode is reached, the firmware should cancel the transaction just started and then enable a re-transmission of the information by the device.

12.3 SHIFT MECHANISM ENABLED

Figure 12-4 illustrates the shift mechanism PS/2 data transfer sequence detailed in this section.

12.3.1 Reset

Clearing the shift mechanism enable bit (PSCON.EN = 0), or all the channels' clock bits (CLK1, CLK2 and CLK3 = 0) resets the shift mechanism. In this state, the PSTAT register is cleared (00h), and the state of the PS/2 clock and data signals (PSCLK1, PSCLK2, PSCLK3, PSDAT1, PSDAT2 and PSDAT3) is set according to the value of their control bits (CLK1, CLK2, CLK3, WDAT1, WDAT2 and WDAT3, respectively).

When the shift mechanism is reset while in an unknown state or while in Transmit Idle state, the firmware should set (1) WDAT1, WDAT2 and WDAT3 before the shift mechanism is reset.

Before disabling the shift mechanism, the software should clear (0) CLK1, CLK2 and CLK3, to prevent glitches on the clock signals.

12.3.2 Enable

To enable the shift mechanism, verify that PSOSIG is set to 07h and then set (1) PSCON.EN bit. This puts the shift register state machine in Receive Inactive or Transmit Inactive states (PSCON.XMT is 0 or 1 respectively). In either of these states, the clock signals (PSCLK1, PSCLK2 and PSCLK3) are low and the data signals PSDAT1, PSDAT2 and PSDAT3 are either floating or pulled high.

12.3.3 General PS/2 Interface Operation

Shift Status

The PSTAT register indicates the current status of the shift mechanism. The data transfer process may be in one of the following three states:

Shifter Empty: The shift mechanism is in either Receive Inactive, Receive Idle, Transmit Inactive or Transmit Idle states. The PSTAT is cleared because none of the enabled devices has sent a start bit.

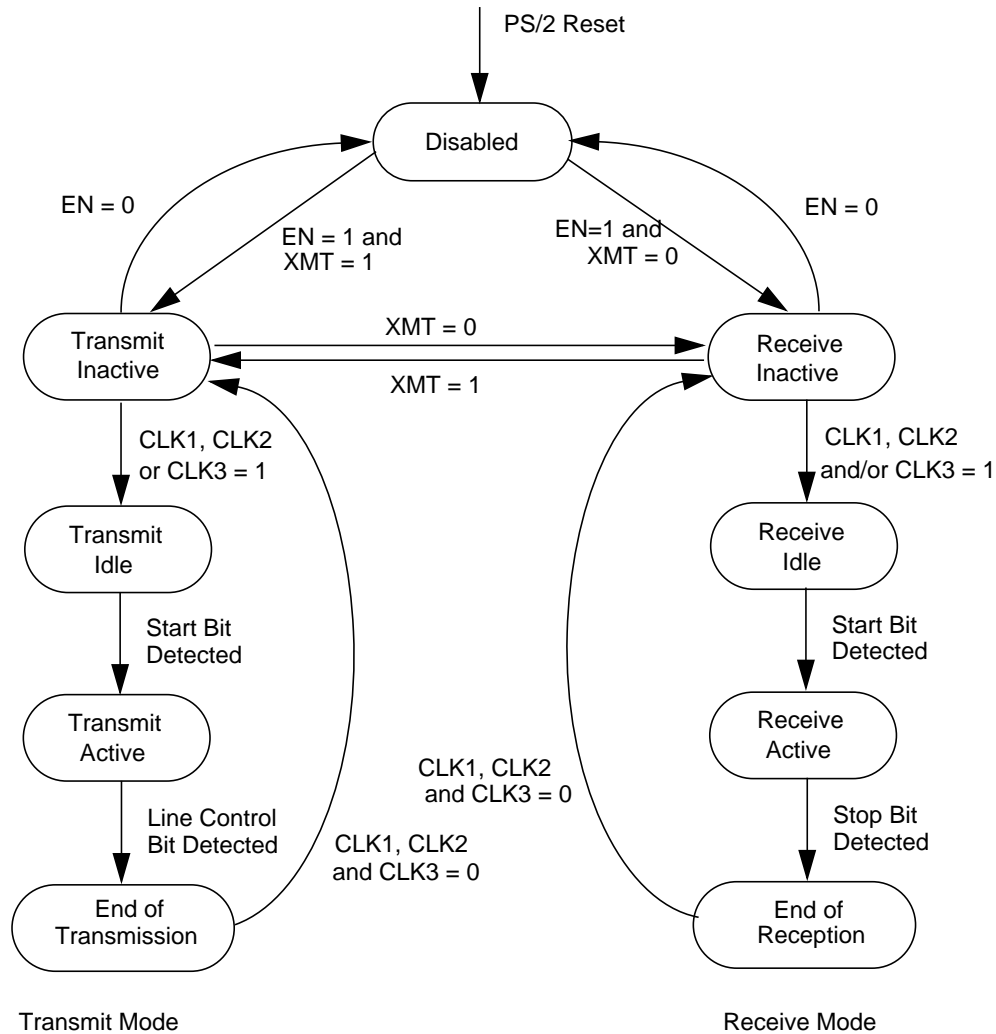


Figure 12-4. Shift Mechanism State Diagram

Start Bit Detected: The shift mechanism is in Receive Active or Transmit Active states. This indicates that a start bit was identified for at least one of the channels and the shift process has begun. The PSTAT.SOT indicates the detection of the start bit and the PSTAT.ACH field indicates the active channel (the channel on which the start bit was detected).

End of Transaction: The shift mechanism is at “End-of-Reception” or “End-of-Transmission” states. This indicates that the last bit of the transfer sequence was detected and the data can be read from PSDAT register, or that the data transmission was completed (for receive and transmit, respectively). The PSTAT.EOT indicates the transfer completion. In case a parity error was identified in the received data, the PSTAT.PERR is set. If a stop bit was detected low instead of high, the PSTAT.RFERR bit is set.

Input Signals Debounce

The PC87570 performs a debounce operation on the clock input signal before determining its logic value. PSCON.IDB determines for how many clock cycles the input signal must be stable to define a change in its value.

Interrupt Generation

The PSINT1 is an interrupt signal generated by the shift mechanism to allow an interrupt driven interface with the firmware.

The ICU should be programmed to detect high level interrupts on the PSINT1 interrupt. See Section 9.3 on page 82 for details on the ICU. The PSIE.N.SOTIE and PSIE.N.EOTIE mask the interrupt signaling for the PSTAT.SOT and PSTAT.EOT bits respectively.

Receive Inactive

After enabling the shift mechanism with PSCON.XMT=0, the Receive mode is entered in the Receive Inactive state. The Receive Idle state can then be entered by enabling one (or more) of the channels, through setting the channel enable bit (CLK1, CLK2 and/or CLK3 for channel 1, 2 and/or 3, respectively). In this state, the shift-mechanism sets the clock and data lines of the enabled channels high (1) and waits for a start bit.

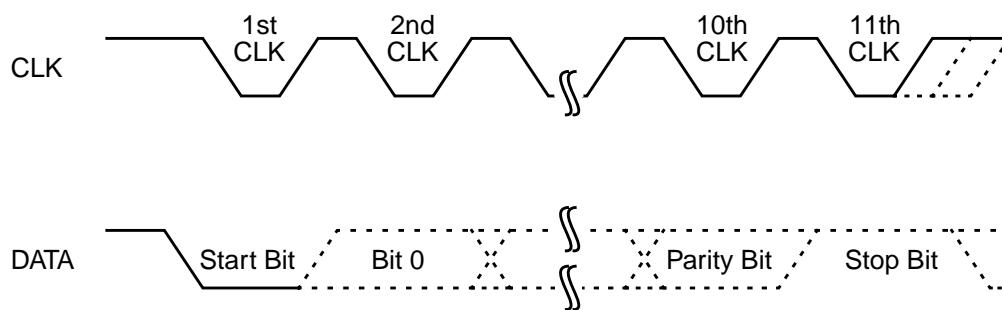


Figure 12-5. PS/2 Receive Data Byte Timing

Receive Idle

In the Receive Idle state, the PS/2 interface waits for input from any one of the enabled channels. The first of the enabled channels to send a start bit is selected for handling by the shift mechanism. The other two channels are disabled by forcing "0" on their clock lines.

Start Bit Detection

The start bit is identified by a falling edge on the clock signal while the data signal is low (0).

If the start bit is identified simultaneously in more than one channel, one channel is selected for receive, while the other channel's transfer is aborted. The channel with the lower number is selected (i.e., channel 1 has priority over channels 2 and 3, and channel 2 has priority over channel 3). The data transfer in the other channels is aborted before 10 data bits have been sent (by forcing the clock signal to 0), therefore the transmitting PS/2 device re-sends its data once its interface is enabled again by the firmware. This mechanism insures that no incoming data is lost.

When the hardware sets (1) the SOT bit and designates the selected channel in the ACH field, this indicates receipt of the start bit in the PSTAT register. In addition, if PSIEN.SOTIE is set, an interrupt signal to the ICU is set high. The firmware may use this interrupt to start a time-out timer for the data transfer.

Receive Active

After identifying the start bit, the shift mechanism enters the "Receive-Active" state. In this state the clock signal of the selected device (PSCLK1, PSCLK2 or PSCLK3) sets the data bit rate. On each falling edge of the clock, new data is sampled on the data signal of the active channel (i.e., PSDAT1, PSDAT2 or PSDAT3).

Following the start bit, 8 bits of data are received (clocks 2 through 9), then a parity bit (10th clock) and a stop bit (11th clock). The stop bit is indicated by a falling edge of the clock with the data signal high (1). In case the 11th clock is identified with data low, the receive frame error bit (PSTAT.RFERR) is set, but the clock is treated as the STOP bit.

After the parity is received, the shift mechanism checks the incoming data for parity error. If the number of bits with a value of 1 in the 8 data bits and the parity bit is even, then the PSCON.PERR is set indicating a parity error.

End of Receive

When the stop-bit is detected, the shift mechanism enters the "End-Of-Reception" state. In this state:

- The shift mechanism disables all the clock signals by forcing them low,
- It sets the End-Of-Transaction status bit (PSTAT.EOT =1) and,
- If PSTAT.EOTIE is set, it asserts (1) the interrupt signal to the ICU.

The shift mechanism stays in this state until it is reset.

Figure 12-5 illustrates the receive byte sequence as it is defined by the PS/2 standard.

12.3.4 Transmit Mode

Transmit Inactive

After enabling the shift mechanism with PSCON.XMT set (1), transmit mode is entered in the Transmit Inactive state with all clock signals low and data signals high (PSOSIG = 07h).

At this time, the firmware writes the data to be transmitted to the PS/2 data register (PSDAT). Then, the data line of the channel to be transmitted is forced low by the firmware clearing its data bit (WDAT1, WDAT2 or WDAT3 for channels 1, 2 or 3, respectively).

Transmit Idle

The Transmit Idle state can be entered by setting the channel enable bit (CLK1, CLK2 or CLK3 for channel 1, 2 and/or 3, respectively) to enable the channel to be used for transmission. In this state, the shift-mechanism sets the clock of the enabled channel high (1) while the data line of that channel is held low and waits for a start bit. When a PS/2 device senses the clock signal high with the data signal low, it identifies a transmit request from the PC87570.

The two channels not in use are disabled by forcing "0" on their clock lines.

Start Bit Detection

The start bit is identified by a falling edge on the clock signal while the data signal is low (0).

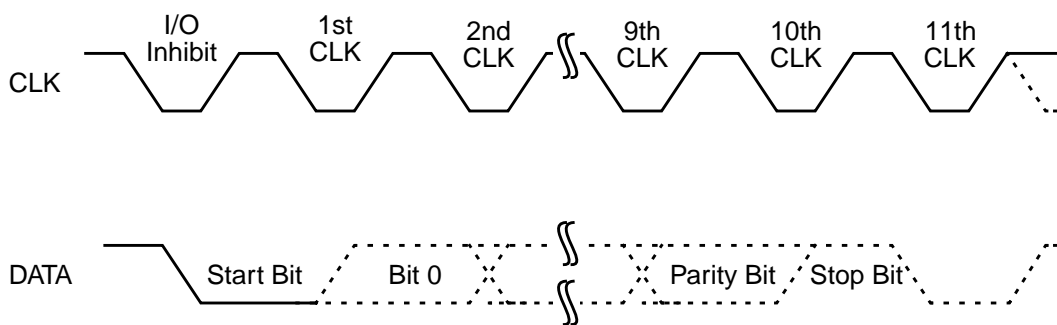


Figure 12-6. PS/2 Transmit Data Byte Timing

When a start bit is detected, data transmission begins by outputting bit-0 (LSB) of the transmitted data and setting the data bits WDAT1, WDAT2 and WDAT3 in the PSOSIG register. This allows bit-0 of the transmitted data to be output on the PS/2 data signal (PSDAT1, PSDAT2 or PSDAT3, according to the active channel).

Hardware setting (1) the SOT bit and storing the active channel number in the ACH field, indicates transmission of the start bit in the PSTAT register. In addition, if PSIEN.SO-TIE is set, then an interrupt signal to the ICU is set high. The firmware may use this interrupt to start a time-out timer for the data transfer.

Transmit Active

After identifying the start bit, the shift mechanism enters the Transmit-Active state. The clock signal of the selected device (PSCLK1, PSCLK2 or PSCLK3) sets the data bit rate.

After each of the next seven falling edges of the clock line, one more data bit (bits 1 through 7) is driven on the data line of the active channel (either PSDAT1, PSDAT2 or PSDAT3).

On the ninth falling edge of the clock, the parity bit is output. The parity bit is high (1) if the number of bits with a value of 1 in the transmitted data was even (i.e., odd parity).

The tenth falling edge causes a '1' to be output as a stop bit. The data signal remains high to allow the PS/2 device to send the line control bit.

The auxiliary device then completes the transfer by sending the line-control bit. The line-control bit, is identified by the data signal being low after the 11th falling edge of the clock.

End of Transmission

The End-Of-Transmission state is entered by detecting the line-control bit. In response, the shift mechanism holds all clock signals low and all data signals are pulled-high by the internal pull-up if enabled.

The End-Of-Transaction flag (PSTAT.EOT) is set to indicate that the transmit operation was completed, and, if the PSIEN.EOTIE bit is set, then the interrupt signal to the ICU is set high.

The shift mechanism stays at this state until being reset.

Figure 12-6 illustrates the transmit byte sequence as it is defined by the PS/2 standard.

Transfer Abort

At each stage of a receive or transmit operation, the transaction can be aborted by clearing all three channel enable bits (CLK1-3) in the PS/2 Output Signal Register (PSOSIG) to 0. This resets the shifter state machine and puts it in the "enabled-inactive" state. If the shift mechanism is in Transmit Inactive or Transmit Idle states, the WDAT1, WDAT2 and WDAT3 bits should also be set.

12.4 SHIFT MECHANISM DISABLED

The shift mechanism is disabled when PSCON.EN is cleared (0). In this state, the PS/2 clock and data signals are controlled by the firmware, which performs the PS/2 protocol by manipulating the PS/2 clock and data signals.

12.4.1 Clock Signal Control

The CLK1, CLK2 and CLK3 bits in the PSOSIG register control the value of the respective clock signals (PSCLK1, PSCLK2 and PSCLK3). When cleared (0), the pin is held low. When set (1), the open drain output is open and the respective clock signal is either floating or held high by the pull-up. In this case, an external device may force the respective clock signal low.

When reading the PSISIG register, bits RCLK1, RCLK2 and RCLK3 indicate the current state of the corresponding clock signal.

12.4.2 Data Signal Control

The WDAT1, WDAT2 and WDAT3 bits in PSOSIG register control the value of the respective data signals (PSDAT1, PSDAT2 and PSDAT3). When cleared (0), the respective data signal is held low. When set, the open drain output is open and the respective data signal is held high by the pull-up. In this case, if PSCON.WPUEN is set (1), an external device may force the respective data signal low.

When reading the PSISIG, register bits RDAT1, RDAT2 and RDAT3 indicate the current state of the corresponding data signal.

12.4.3 Interrupt Generation

When PSIEN.DSMIE bit is set (1), the clock input signals are connected to the Interrupt Control Unit (ICU) for an interrupt driven PS/2 protocol. The three interrupts that are generated are PSINT1, PSINT2 and PSINT3 for channels 1, 2 and 3, respectively.

The ICU should be programmed to detect a falling edge on each of the clock signals. Disabling a channel by writing 0 to the clock control signals (CLK1, CLK2 or CLK3) may cause a falling edge on a clock signal. When such an interrupt is not desired, clear (0) the clock control bit and then the pending bit in the ICU. This should be done while interrupts are disabled. For more details about the ICU, see Section 9.3 on page 82.

12.5 PS/2 INTERFACE REGISTERS

12.5.1 PS/2 Data Register (PSDAT)

The PSDAT Register is a byte wide, read/write register. In Receive mode, PSDAT holds the data received in the last message from the PS/2 device. In Transmit mode, the data to be shifted out is written to this register. When the PS/2 i/f is reset, the contents of this register become invalid.

On reset, the PS/2 interface is set to Receive mode. In this mode, the PSDAT should be read only when the PSTAT.EOT bit is set (1).

Setting the transmit enable bit in the PSCON register to 1 (PSCON.XMT = 1) puts the PS/2 interface in Transmit mode. The PSDAT should be written only when in Transmit mode, and all three channel enable bits PSOSIG.CLKi (i in the range of 1 through 3) are cleared (0).

7	0
Data	

Bits 7-0 - Data

Contains the data received in the last message (or that is transmitted in the following transmission). Bit 0 is the first bit to be shifted (LSB).

12.5.2 PS/2 Status Register (PSTAT)

The PSTAT Register is a byte wide, read only register. It contains the status information on the data transfer on the PS/2 ports. All non-reserved bits of PSTAT are cleared (0) on reset, when the CLK1, CLK2 and CLK3 in PSOSIG are cleared and when PSCON.EN is cleared. Reading PSTAT does not clear any of its bits.

7	6	5	3	2	1	0
Res	RFERR	ACH	PERR	EOT	SOT	

Bit 0 - Start of Transaction (SOT)

Indicates that a start bit was detected. ACH field indicates which of the channels it was detected on.

Bit 1 - End of Transaction (EOT)

Indicates that a PS/2 data transfer was completed - a stop bit was detected at the receive mode or a line control bit at transmit mode.

Bit 2 - Parity Error (PERR)

Indicates a parity error detection in the last transfer.

Bits 5-3 - Active Channel (ACH)

Defines which of the PS/2 channels is currently active (i.e., a start bit was detected). In case more than one channel become active simultaneously, only the one with the highest priority (lowest number) is flagged.

- 000 = None of the channels is active
- 001 = Channel 1
- 010 = Channel 2
- 100 = Channel 3

Bit 6 - Receive Frame Error (RFERR)

Indicates that the stop bit in a received frame was detected low instead of high.

12.5.3 PS/2 Control Register (PSCON)

The PSCON Register is an 8-bit read/write register. It controls the operation of the PS/2 interface by enabling it and controlling the data transfer direction. On reset, PSCON is set to 00h.

7	6	4	3	2	1	0
WPUEN	IDB	HDRV	XMT	EN		

Bit 0 - Shift Mechanism Enable (EN)

When set (1), the hardware shift mechanism is enabled. The enabled channels are controlled by PSOSIG and the transmit/receive mode is controlled by the XMT bit. When cleared (0), the mechanism is disabled and the software may control and monitor the PS/2 signals using PSOSIG and PSISIG registers.

Bit 1 - Transmit Enable (XMT)

When set (1), causes the PS/2 interface to enter the transmit mode. When cleared (0), it is in the receive mode.

Bits 3-2 - High Drive (HDRV)

The HDRV field defines the quasi-bidirectional buffers' behavior on the transition from low to high. HDRV defines the period of time for which the output is pulled high with a low impedance drive (when the PC87570 changes the output level from low to high). This period is a function of the PC87570 clock as follows:

0	0	Disabled
0	1	low impedance drive for one clock cycle
1	0	low impedance drive for two clock cycle
1	1	low impedance drive for three clock cycle

Bits 6-4 - Input Debounce (IDB)

This IDB field defines the number of PC87570 clock cycles during which the clock input is expected to be stable before the shift mechanism identifies its new value. This protects the shift mechanism from false edge detections. The number of PC87570 clock cycles for which the input should be stable before an edge is detected, is as follows:

000	1 cycle
001	2 cycles
010	4 cycles
011	8 cycles
100	16 cycles
101	32 cycles

Bit 7 - Weak Pull-Up Enable (WPUEN)

When set, this bit enables the internal pull up of the output buffer. In such case, the pull up is active when the buffer does not drive the signal to low level. When cleared, the pull-up is disabled. In this state, the system must ensure the PS/2 interface signals are not floating to enable proper PS/2 operation.

12.5.4 PS/2 Output Signal Register (PSOSIG)

The PSOSIG Register is a byte wide, read/write register. It allows setting the value of the PS/2 port signals. When the shift mechanism is enabled, the clock control bits in this register define the active channel(s). On reset, the non-reserved bits of PSOSIG are set to 07h.

7	6	5	4	3	2	1	0
Res	CLK3	CLK2	CLK1	WDAT3	WDAT2	WDAT1	

Bit 0 - Write Data Signal Channel 1 (WDAT1)

Controls the data output to channel 1 data signal (PSDAT1).

When the shift mechanism is disabled (PSCON.EN=0), the data in WDAT1 is output to PSDAT1 signal. If WDAT1 is cleared (0), the output buffer data is 0 (i.e., PSDAT1 is forced low). If WDAT1 is set (1), the output buffer data is 1 (i.e., PSDAT1 is pulled high by the internal pull-up and may be pulled low by an external device).

When the shift mechanism is enabled (EN=1), WDAT1 should be set to 1, except when the shift mechanism is in *transmit mode*. In this case, when in transmit-inactive and it is intended to transmit data to channel 1, the firmware should clear WDAT1 bit to force the transmit signaling (low) to the PS/2 device.

WDAT1 is set by the hardware after the PC87570 detected a start bit (i.e., on entering the Transmit Active state). If a transmission is aborted before the transmit-active state, WDAT1 should be set (1) prior to disabling the channel.

Bit 1 - Write Data Signal Channel 2 (WDAT2)

Same as WDAT1 but for channel 2.

Bit 2 - Write Data Signal Channel 3 (WDAT3)

Same as WDAT1 but for channel 3.

Bit 3 - CLK1, Enable Channel 1

When cleared (0), forces a low (0) on the PSCLK1 pin and disables channel 0 of the shift mechanism.

When the shift mechanism is enabled (PSCON.EN=1), and CLK1 is set (1), channel 1 of the PS/2 ports is enabled. When the shift mechanism is disabled

(PSCON.EN=0) and CLK1 bit is set (1), the clock line output buffer data is 1 (i.e., the signal is pulled high by the pull-up if enabled, and may be pulled low by an external device).

Bit 4 - Enable Channel 2 (CLK2)

Same as CLK1 but for channel 2.

Bit 5 - Enable Channel 3 (CLK3)

Same as CLK1 but for channel 3.

Note:

When CLK1, CLK2 and CLK3 are all 0, this is interpreted as a shift mechanism reset. In this case, the PSTAT Register and the shift state machine are reset to their initial state.

12.5.5 PS/2 Input Signal Register (PSISIG)

The PSISIG Register is an 8-bit read only register. It provides the current value of the PS/2 port signals.

7	6	5	4	3	2	1	0
Res	RCLK3	RCLK2	RCLK1	RDAT3	RDAT2	RDAT1	

Bit 0 - Read Data Signal Channel 1 (RDAT1)

The current value of the channel 1 data signal (PSDAT1).

Bit 1 - Read Data Signal Channel 2 (RDAT2)

Same as RDAT1 but for channel 2.

Bit 2 - Read Data Signal Channel 3 (RDAT3)

Same as RDAT1 but for channel 3.

Bit 3 - Read Clock Signal Channel 1 (RCLK1)

When read, returns the current value of the channel 1 clock signal (PSCLK1).

Bit 4 - RCLK2, Read Clock Signal Channel 2

Same as RCLK1 but for channel 2.

Bit 5 - RCLK3, Read Clock Signal Channel 3

Same as RCLK1 but for channel 3.

12.5.6 PS/2 Interrupt Enable Register (PSIEN)

The PSIEN Register is an 8-bit read/write register. It enables/disables the various interrupts generated by the PS/2 module. Bits in the PSIEN Register may be cleared to 0 only when interrupts are disabled, i.e., in the CR16A core, the PSR.I or the PSR.E bits are 0 or when the corresponding interrupts in the ICU are masked. Bits in the PSIEN Register may be set to 1 at any time. On reset, non reserved bits of PSIEN are cleared.

7	6	5	4	3	2	1	0
Reserved			DSMIE	EOTIE	SOTIE		

Bit 0 - Start of Transaction Interrupt Enable (SOTIE)

This bit is used for enabling the interrupt generation on a transaction start detection. When set (1), the interrupt signal (PSINT1) to the ICU is active (1) whenever the PSTAT.SOT bit is set. When SOT is cleared (0), the PSSTAT.SOT bit does not affect the interrupt signal.

Once set, SOT is not cleared until the shift mechanism is reset. Therefore SOTIE should be cleared on the first occurrence of an SOT interrupt. SOTIE should be set (1) when the PS/2 module is programmed to handle the impending transfer.

Bit 1 - End of Transaction Interrupt Enable (EOTIE)

This bit is used for enabling the interrupt generation on an End of Transaction detection. When set (1), the interrupt signal (PSINT1) to the ICU is active (1) whenever the PSTAT.EOT bit is set. When EOTIE is cleared (0), the PSSTAT.EOT bit does not affect the interrupt signal.

Once set, EOT is not cleared until the shift mechanism is reset. Therefore EOTIE should be cleared on the first occurrence of an EOT interrupt. EOTIE should be set (1) when the PS/2 module is programmed to handle the impending transfer.

Bit 2 - Disabled Shift Mechanism Interrupt Enable (DSMIE)

This bit is used for enabling the interrupt generation when the shift mechanism is disabled. When set (1), the clock input signals are connected to the Interrupt Control Unit (ICU), to allow implementing an interrupt driven PS/2 protocol. The three interrupts generated are PSINT1, PSINT2 and PSINT3, for channels 1, 2 and 3, respectively. When cleared (0), the three interrupt signals are low. Note that PSINT1 may be activated (1) by other interrupt sources of the module.

When the shift mechanism is disabled, no debounce is applied to the PSCLK inputs before producing the interrupt signals, except for local synchronization.

13.0 ACCESS.bus (ACB) Interface

The ACB interface is a two wire serial interface compatible with the ACCESS.bus physical layer. It is also compatible with Intel's SMBus and Philips' I²C bus. The module can be configured as a bus master or slave, and can maintain bidirectional communications with both multiple master and slave devices.

13.1 FEATURES

- ACCESS.bus, SMBus and I²C compliant
- ACCESS.bus master and slave
- Supports polling and interrupt controlled operation
- Generates a wake-up signal on detection of a Start Condition, while in power-down mode
- Optional internal pull-up on SDA and SCL pins

13.2 ACB PROTOCOL OVERVIEW

The ACB interface provides full support for a two-wire ACCESS.bus, synchronous serial interface. It permits easy interfacing to a wide range of low-cost memories and I/O devices, including: EEPROMs, SRAMs, timers, A/D converters, D/A converters, clock chips and peripheral drivers.

13.2.1 ACB Interface

The ACCESS.bus protocol uses a two-wire interface for bidirectional communications between the ICs connected to the bus. The two interface lines are the Serial Data Line (SDL), and the Serial Clock Line (SCL). These lines should be connected to a positive supply, via a pull-up resistor, and remain HIGH even when the bus is idle.

The ACCESS.bus protocol supports multiple master and slave transmitters and receivers. Each IC has a unique address and can operate as a transmitter or a receiver (though, some peripherals are only receivers).

During data transactions, the master device initiates the transaction, generates the clock signal and terminates the transaction. For example, when the ACB initiates a data transaction with an attached ACCESS.bus compliant peripheral, the ACB becomes the master. When the peripheral responds and transmits data to the ACB, their master/slave (data transaction initiator and clock generator) relationship is unchanged, even though their transmitter/receiver functions are reversed.

13.2.2 Data Transactions

One data bit is transferred during each clock pulse. Data is sampled during the high state of the serial clock (SCL). Consequently, throughout the clock's high period the data should remain stable (see Figure 13-1). Any changes on the SDA line during the high state of the SCL and in the middle of a transaction, aborts the current transaction. New data should be sent during the low SCL state. This protocol permits a single data line to transfer both command/control information and data using the synchronous serial clock.

Each data transaction is composed of a Start Condition, a number of byte transfers (set by the software) and a Stop Condition to terminate the transaction. Each byte is transferred with the most significant bit first, and after each byte (8 bits), an Acknowledge signal must follow. The following sections provide further details of this process.

At each clock cycle, the slave can stall the master while it

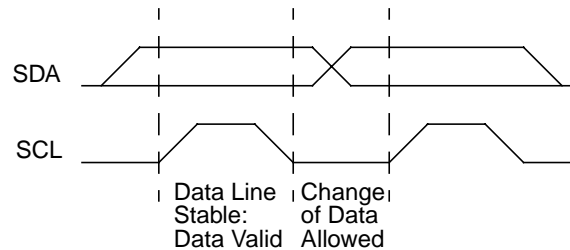


Figure 13-1. Bit Transfer

handles the previous data, or prepares new data. This can be done, for each bit transferred, or on a byte boundary, by the slave holding SCL low to extend the clock-low period. Typically, slaves extend the first clock cycle of a transfer if a byte read has not yet been stored, or if the next byte to be transmitted is not yet ready. Some microcontrollers, with limited hardware support for ACCESS.bus, extend the access after each bit, thus allowing the software time to handle this bit.

13.2.3 Start and Stop

The ACCESS.bus master generates Start and Stop Conditions (control codes). After a Start Condition is generated the bus is considered busy and it retains this status till a certain time after a Stop Condition is generated. A high-to-low transition of the data line (SDA) while the clock (SCL) is high, indicates a Start Condition. A low-to-high transition of the SDA line while the SCL is high indicates a Stop Condition (Figure 13-2).

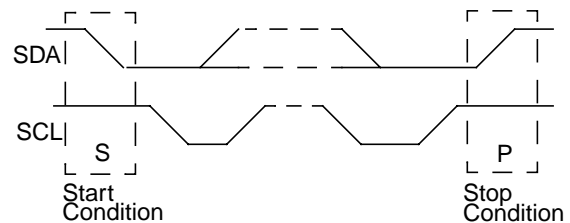


Figure 13-2. Start and Stop Conditions

In addition to the first Start Condition, a repeated Start Condition can be generated in the middle of a transaction. This allows another device to be accessed, or a change in the direction of the data transfer.

13.2.4 Acknowledge Cycle

The Acknowledge Cycle consists of two signals: the acknowledge clock pulse the master sends with each byte transferred, and the acknowledge signal sent by the receiving device (Figure 13-3).

The master generates the acknowledge clock pulse on the ninth clock pulse of the byte transfer. The transmitter releases the SDA line (permits it to go high) to allow the receiver to send the acknowledge signal. The receiver must pull

down the SDA line during the acknowledge clock pulse, thus signalling the correct reception of the last data byte, and its readiness to receive the next byte. Figure 13-4 illus-

trates the acknowledge cycle.

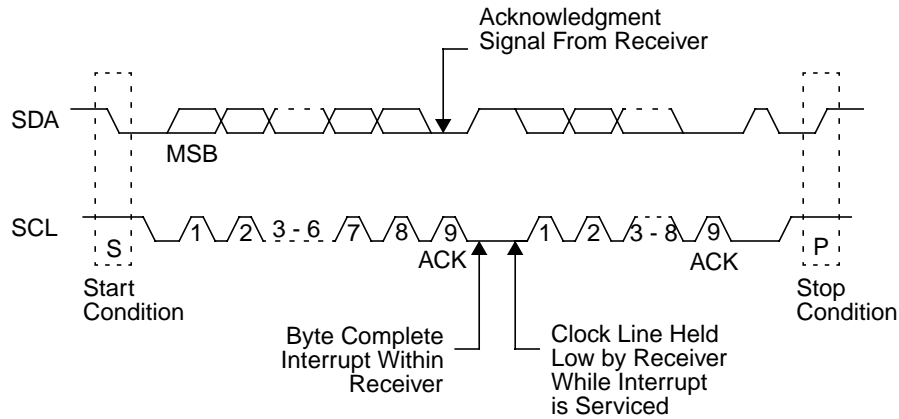


Figure 13-3. ACCESS.bus Data Transaction

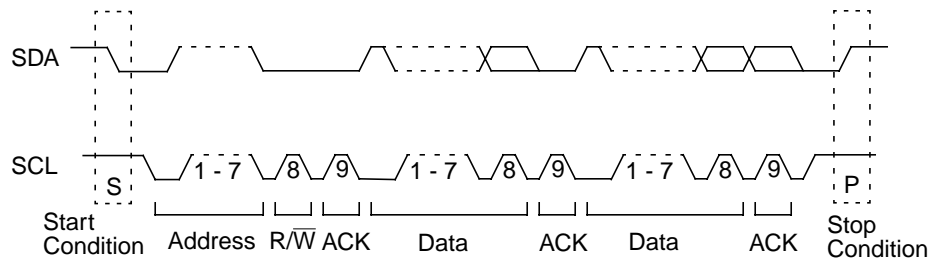


Figure 13-5. A Complete ACCESS.bus Data Transaction

13.2.5 “Acknowledge after every byte” Rule

The master generates an acknowledge clock pulse after each byte transfer. The receiver sends an acknowledge signal after every byte received.

There are two exceptions to the “acknowledge after every byte” rule.

1. When the master is the receiver, it must indicate to the transmitter an end of data by not-acknowledging (“negative acknowledge”) the last byte clocked out of the slave. This “negative acknowledge” still includes the acknowledge clock pulse (generated by the master), but the SDA line is not pulled down.
2. When the receiver is full, otherwise occupied, or a prob-

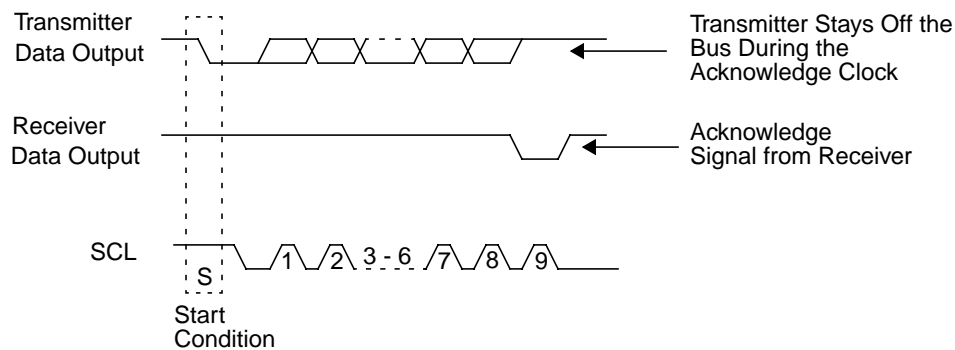


Figure 13-4. ACCESS.bus Acknowledge Cycle

lem has occurred, it sends a negative acknowledge to indicate that it can not accept additional data bytes.

13.2.6 Addressing Transfer Formats

Each device on the bus has a unique address. Before any data is transmitted, the master transmits the address of the slave being addressed. The slave device should send an acknowledge signal on the SDA line, once it recognizes its address.

The address consists of the first seven bits after a Start Condition. The direction of the data transfer (R/W) depends on the bit sent after the address - the eighth bit. A low-to-high transition during a SCL high period indicates the Stop Condition, and ends the transaction of SDA (Figure 13-5).

When the address is sent, each device in the system compares this address with its own. If there is a match, the device considers itself addressed and sends an acknowledge signal. Depending on the state of the R/W bit (1:read, 0:write), the device acts as a transmitter or a receiver.

The I²C bus protocol allows sending a general call address to all slaves connected to the bus. The first byte sent specifies the general call address (00h) and the second byte specifies the meaning of the general call (for example, "Write slave address by software only"). Those slaves that require the data acknowledge the call and become slave receivers; the other slaves ignore the call.

13.2.7 Arbitration on the Bus

Multiple master devices on the bus, require arbitration between their conflicting bus-access demands. Control of the bus is initially determined according to address bits and clock cycle. If the masters are trying to address the same slave, data comparisons determine the outcome of this arbitration. In master mode, the device immediately aborts a transaction if the value sampled on the SDA line differs from the value driven by the device. (An exception to this rule is SDA while receiving data). In this cases the lines may be driven low by the slave without causing an abort).

The SCL signal is monitored for clock synchronization and to allow the slave to stall the bus. The actual clock period is the one set by the master with the longest clock period or by the slave stall period. The clock high period is determined by the master with the shortest clock high period.

When an abort occurs during the address transmission, a master that identifies the conflict, should give-up the bus and switch to slave mode and continue to sample SDA to see if it is being addressed by the winning master on the bus.

13.3 FUNCTIONAL DESCRIPTION

The ACB module provides the physical layer for an ACCESS.bus compliant serial interface. The module is configurable as either a master or slave device. As a slave device, the ACB module may issue a request to become the bus master.

13.3.1 Master Mode

Requesting Bus Mastership

An ACCESS.bus transaction starts with a master device requesting bus mastership. It asserts a Start Condition, followed by the address of the device it wants to access. If this transaction is successfully completed, the software may assume that the device has become the bus master.

For the device to become the bus master, the software should perform the following steps:

- Configure ACBCTL1.INTEN to the desired operation mode (Polling or Interrupt) and Set ACBCTL1.START. This causes the ACB to issue a Start Condition on the ACCESS.bus, as soon as the ACCESS.bus is free (ACBCST.BB=0 or other conditions that can delay start). It then stalls the bus by holding SCL low.
- If a bus conflict is detected, (i.e., some other device pulls down the SCL signal before the PC87570 does), ACBST.BER is set.
- If there is no bus conflict, ACBST.MASTER and ACBST.SDAST are set.
- If ACBCTL1.INTEN is set, and either ACBST.BER or ACBST.SDAST is set, an interrupt is sent to the CR16A.

Sending the Address Byte

Once the PC87570 is the active master of the ACCESS.bus (ACBST.MASTER is set), it can send the address on the bus.

The address sent should not be the PC87570's own address, as defined in ACBADDR.ADDR, if ACBADDR.SAEN is set, nor should it be the global call address if ACBST.GMTCH.GMTCH is set.

To send the address byte use the following sequence:

- For a receive transaction where the software requires only one byte of data, it should set the ACBCTL1.ACK bit. If only an address needs to be sent (for quick Read/Write protocols, e.g.) or if the device requires stall for some other reason, set the ACBCTL1.STASTRE bit to 1.
- Write the address byte (7-bit target device address), and the direction bit, to the ACBSDL register. This causes the module to generate a transaction. At the end of this transaction, the acknowledge bit received is copied to ACBST.NEGACK. During the transaction the SDA and SCL lines are continuously checked for conflict with other devices. If a conflict is detected, the transaction is aborted, ACBST.BER is set, and ACBST.MASTER is cleared.
- If ACBCTL1.STASTRE is set and the transaction was successfully completed (i.e., both ACBST.BER and ACBST.NEGACK are cleared), ACBST.STASTR is set. In this case, the ACB stalls any further ACCESS.bus operations (i.e., holds SCL low). If ACBCTL1.INTEN is set, it also sends an interrupt to the core.
- If the requested direction is transmit, and the start transaction was completed successfully (i.e., neither ACBST.NEGACK nor ACBST.BER is set, and no other master has accessed the device), ACBST.SDAST is set to indicate that the module awaits attention.
- If the requested direction is receive, the start transaction was completed successfully and ACBCTL1.STASTRE is cleared, the module starts receiving the first byte automatically.
- Check that both ACBST.BER and ACBST.NEGACK are cleared. If the ACBCTL1.INTEN bit is set, an interrupt is generated when either ACBST.BER or ACBST.NEGACK is set.

Master Transmit

After becoming the bus master, the device can start transmitting data on the ACCESS.bus.

To transmit a byte the software should:

1. Check that the ACBST.BER and ACBST.NEGACK bits are cleared and ACBST.SDAST is set. Also, if ACBCTL1.STASTRE is set, check that ACBST.STASTR is cleared (and clear it if required).
2. Write the data byte to be transmitted to the ACBSDA register.

When the slave responds with a negative acknowledge, the ACBST.NEGACK bit is set and the ACBST.SDAST bit remains cleared. In this case, if ACBCTL1.INTEN is set, an interrupt is sent to the core.

Master Receive

After becoming the bus master, the device can start receiving data on the ACCESS.bus.

To receive a byte the software should:

- Check that ACBST.SDAST is set and ACBST.BER is cleared. Also, if ACBCTL1.STASTRE is set, check that ACBST.STASTR is cleared (and clear it if required).
- Set the ACBCTL1.ACK bit to 1, if the next byte is the last byte that should be read. This causes a negative acknowledge to be sent.
- Read the data byte from the ACBSDA register.

Master Stop

To end a transaction set (1) ACBCTL1.STOP, before clearing the current stall flag (i.e., ACBST.SDAST, ACBST.NEGACK or ACBST.STASTR). This causes the module to send a Stop Condition immediately, and clear ACBCTL1.STOP. A Stop Condition may be issued only when the PC87570 is the active bus master (ACBST.MASTRER=1).

Master Bus Stall

The ACB module can stall the ACCESS.bus between transfers while waiting for the core's response. The ACCESS.bus is stalled by holding the SCL signal low after the acknowledge cycle. Note that this is interpreted as the beginning of the following bus operation. The user must make sure that the next operation is prepared before the flag that causes the bus stall is cleared.

The flags that can cause a bus stall in Master mode are:

- Negative acknowledge after sending a byte (ACBSTNEGACK=1).
- ACBST.SDAST bit is set.
- ACBCTL1.STASTRE=1, after a successful start (ACBST.STASTR=1).

Repeated Start

A repeated start is performed when the PC87570 is already the bus master (ACBST.MASTER is set). In this case the ACCESS.bus is stalled and the ACB module is awaiting the core handling due to: negative acknowledge (ACBST.NEGACK=1), empty buffer (ACBST.SDAST=1) and/or a stall after start (ACBST.STASTR=1).

For a Repeated Start:

- Set (1) ACBCTL1.START.
- In Master Receive mode, read the last data item from ACBSDA.
- Follow the address send sequence, as described in "Sending the Address Byte" on page 100.
- If the ACB was awaiting handling due to ACBST.STASTR=1, clear it only after writing the requested address and direction to ACBSDA.

Master Error Detection

The ACB detects illegal Start or Stop Conditions (i.e., a Start or Stop Condition within the data transfer, or the acknowledge cycle) and a conflict on the data lines of the ACCESS.bus. If an illegal condition is detected, BER is set, and the Master mode is exited (ACBSTMASTER is cleared).

Bus Idle Error Recovery

When a request to become the active bus master or a restart operation fails, the ACBST.BER bit is set to indicate the error. In some cases, both the PC87570 and the other device may identify the failure and leave the bus idle. In this case, the start sequence may be uncompleted and the ACCESS.bus may remain deadlocked forever.

To recover from deadlock, use the following sequence:

- Clear ACBST.BER bit and the ACBCST.BB bit.
- Wait for a time-out period to check that there is no other active master on the bus (i.e., ACBCST.BB remains cleared).
- Disable, and re-enable the ACB to put it in the non-addressed slave mode. (This completely resets the module).

At this point some of the slaves may not identify the bus error. To recover, the ACB module becomes the bus master: it asserts a Start Condition, sends an address byte, then asserts a Stop Condition which synchronizes all the slaves.

13.3.2 Slave Mode

A slave device waits in Idle mode for a master to initiate a bus transaction. Whenever the ACB module is enabled, and it is not acting as a master (i.e., ACBST.MASTER is cleared), it acts as a slave device.

Once a Start Condition on the bus is detected, the PC87570 checks whether the address sent by the current master matches either:

- The ACBADDR.ADDR value if ACBADDR.SAEN=1, or
- The general call address if ACBCTL1.GCMEM=1.

This match is checked even when ACBST.MASTER is set. If a bus conflict (on SDA or SCL) is detected, ACBST.BER is set, ACBST.MASTER is cleared and the PC87570 continues to search the received message for a match.

If an address match, or a global match, is detected:

- The PC87570 asserts its SDA pin during the acknowledge cycle
- The ACBCST.MATCH and ACBST.NMATCH bits are set. If ACBST.XMIT=1 (i.e., Slave Transmit mode) ACBST.SDAST is set to indicate that the buffer is empty.
- If ACBCTL1.INTEN is set, an interrupt is generated if both the ACBCTL1.INTEN and ACBCTL1.NMINTE bits are set.
- The software then reads the ACBST.XMIT bit to identify the direction requested by the master device. It clears the ACBST.NMATCH bit so future byte transfers are identified as data bytes.

Slave Receive and Transmit

Slave Receive and Transmit are performed after a match is detected and the data transfer direction is identified. After a byte transfer the ACB module extends the acknowledge clock until the software reads or writes the ACBSDA register. The receive and transmit sequences are identical to those used in the master routine.

Slave Bus Stall

When operating as a slave, the PC87570 stalls the ACCESS.bus by extending the first clock cycle of a transaction in the following cases:

- ACBST.SDAST is set.
- ACBST.NMATCH, and ACBCTL1.NMINTE are set.

Slave Error Detection

The ACB detects illegal Start and Stop Conditions on the ACCESS.bus (i.e., a Start or Stop Condition within the data transfer or the acknowledge cycle). When an illegal Start or Stop Condition is detected, the BER bit is set and MATCH and GMATCH are cleared, setting the module to be an unaddressed slave.

13.3.3 Power-Down

When the PC87570 is in Idle mode, the ACB module is not active but retains its status. If the ACB is enabled (ACBCTL2.ENABLE=1), on detection of a Start Condition, a wake-up signal is issued to the MIWU. This signal may be used to switch the PC87570 to Active mode.

The ACB module can not check the address byte, following the start condition that woke up the PC87570, for a match. The ACB responds with a negative acknowledge, and the device should re-send both the Start Condition and the address after the PC87570 has had time to wake up.

Check that the ACBCST.BUSY bit is inactive before entering Power Save or Idle mode. This guarantees that the PC87570 does not acknowledge an address sent, and stops responding later.

13.3.4 SDA and SCL Pin Configuration

The SDA and SCL are open collector signals. The PC87570 permits the user to define whether to enable or disable these signals. SDA and SCL are enabled with internal weak pull-up, as shown in Table 19-7 on page 135. For more information about configuring these pins, see Table 2-5 on page 27.

13.3.5 ACB Clock Frequency Configuration

The ACB module permits the user to set the clock frequency used for the ACCESS.bus clock. The clock is set by the ACBCTL2.SCLFRQ field. This field determines the SCL clock period used by the PC87570. This clock low period may be extended by stall periods initiated by the ACB module or by another ACCESS.bus device. In case of a conflict with another bus master, a shorter clock high period may be forced by the other bus master until the conflict is resolved.

13.4 ACB REGISTERS

13.4.1 ACB Serial Data Register (ACBSDA)

The ACBSDA Register is a byte-wide, read/write shift register used to transmit and receive data. The most significant bit is transmitted (received) first and the least significant bit is transmitted (received) last. Reading or writing to the ACBSDA register is allowed only when ACBST.SDAST is set, or when for repeated starts after setting the START bit. An attempt to access the register in other cases may produce unpredictable results.

7	0
DATA	

13.4.2 ACB Status Register (ACBST)

The ACBST Register is a byte-wide, read-only register. Some of its bits may be cleared by software, as described below. This register maintains current ACB status. Upon reset, and when the module is disabled, ACBST is cleared (00h).

7	6	5	4
SLVSTP	SDAST	BER	NEGACK

3	2	1	0
STASTR	NMATCH	MASTER	XMIT

Bit 0 - Transmit Mode (XMIT)

This bit is set when the ACB module is currently in master/slave transmit mode. Otherwise it is cleared.

Bit 1 - Master Mode (MASTER)

When set, this bit indicates that the module is currently in Master mode. It is set when a request for bus mastership succeeds. It is cleared on arbitration loss (BER is set) or the recognition of a Stop Condition.

Bit 2 - New Match (NMATCH)

This bit is set when the address byte following a Start Condition, or repeated start, causes a match or a global-call match. NMATCH is cleared when writing 1 to it. Writing 0 to NMATCH is ignored. If ACBCTL1.INTEN is set, an interrupt is sent when this bit is set.

Bit 3 - Stall After Start (STASTR)

This bit is set by the successful completion of an address sending (i.e., a Start Condition sent without a bus error, or negative acknowledge), if ACBCTL1.STASTRE is set. This bit is ignored in slave mode. When STASTR is set, it stalls the ACCESS.bus by pulling down the SCL line, and suspends any further action on the bus (e.g., receive of first byte in Master Receive mode). In addition, if ACBCTL1.INTEN is set, it also causes the ACB module to send an interrupt to the CR16A. Writing 1 to STASTR clears it. It is also cleared when the module is disabled and is always cleared when STASTRE is cleared. Writing 0 to STASTR has no effect.

Bit 4 - Negative Acknowledge (NEGACK)

This bit is set by hardware when a transmission is not acknowledged on the ninth clock. (In this case SDAST is not set.) Writing 1 to NEGACK clears it. It is also cleared when the module is disabled. Writing 0 to NEGACK is ignored.

Bit 5 - Bus Error (BER)

BER is set by the hardware when a Start or Stop Condition is detected during data transfer (i.e., Start or Stop Condition during the transfer of bits 2 through 8 and acknowledge cycle), or when an arbitration problem is detected. Writing 1 to BER clears it. It is also cleared when the module is disabled. Writing 0 to BER is ignored.

Bit 6 - SDA Status (SDAST)

When set, this bit indicates that the SDA data register is waiting for data (transmit - master or slave) or holds data that should be read (receive - master or slave). This bit is cleared when reading from the ACBSDA register during a receive, or when written to during a transmit.] When ACBCTL1.START is set, reading ACBSDA register does not clear SDAST. This enables the ACB to send a repeated start in master receive mode.

Bit 7 - Slave Stop (SLVSTP)

If set, SLVSTP indicates that a Stop Condition was detected after a slave transfer (i.e., after a slave transfer in which MATCH or GCMATCH was set). Writing 1 to SLVSTP clears it. It is also cleared when the module is disabled. Writing 0 to SLVSTP is ignored.

13.4.3 ACB Control Status Register (ACBCST)

The ACBCST Register is a byte-wide, read/write register that maintains current ACB status and controls several ACB module functions. The functions of the ACBCST are described below. Upon reset and when the module is disabled the non-reserved bits of ACBCST are cleared (0).

7	6	5	4
Reserved		TGSCL	TSDA
3	2	1	0
GCMTCH	MATCH	BB	BUSY

Bit 0 - BUSY

When BUSY is set (1), this indicates that the ACB module is in one of the following states:

- Generating a Start Condition
- In Master mode (ACBST.MASTER is set)
- In Slave mode (ACBCST.MATCH or ACBCST.GMATCH is set)
- In the period between detecting a Start condition and completing the reception of the address byte. After this, the ACB either becomes not busy or enters slave mode.

The BUSY bit is cleared by the completion of any of the above states, and by disabling the module. BUSY is a read only bit. It should always be written 0.

Bit 1 - Bus Busy (BB)

When set (1), BB indicates the bus is busy. It is set when the bus is active (i.e., a low level on either SDA or SCL), or by a Start Condition. It is cleared when the module is disabled, on detection of a Stop Condition, or when writing '1' to this bit. See Section 13.5 for a description of the use of this bit.

Bit 2 - Address Match (MATCH)

In slave mode, MATCH is set (1) when ACBADDR.SAEN is set and the first seven bits of the address byte (the first byte transferred after a Start Condition) matches the 7-bit address in the ACBADDR register. It is cleared by Start Condition, a repeated start and a Stop Condition (including illegal Start or Stop Condition).

Bit 3 - Global Call Match (GCMTCH)

In slave mode, GCMTCH is set (1) when ACBCTL1.GCMEN is set and the address byte (the first byte transferred after a Start Condition) is 00h. It is cleared by Start Condition, a repeated Start and a Stop Condition (including illegal Start or Stop Condition).

Bit 4 - Test SDA Line (TSDA)

Reads the current value of the SDA line. This bit can be used while recovering from an error condition in which the SDA line is constantly pulled low by a slave that went out of synch. This bit is a read-only bit. Data written to it is ignored.

Bit 5 - Toggle SCL Line (TGSCL)

This bit enables toggling the SCL line during the process of error recovery. When the SDA line is low, writing 1 to this bit toggles the SCL line for one cycle. Writing 1 to TGSCL while SDA is high, is ignored. The bit is cleared when the clock toggle is completed.

13.4.4 ACB Control Register 1 (ACBCTL)

The ACBCTL1 Register is a byte-wide, read/write register that configures and controls the ACB module. Upon reset, the ACBCTL1 is cleared (00h)

7	6	5	4	3	2	1	0
STASTRE	NMINTEN	GCMEN	ACK	Res	INTEN	STOP	START

Bit 0 - START

This bit should be set when a Start Condition needs to be generated on the ACCESS.bus.

- If the PC87570 is not the active master of the bus (ACBST.MASTER=0), setting START generates a Start Condition as soon as the ACCESS.bus is free (ACBCST.BB=0). An address transmission sequence should then be performed.
- If the PC87570 is the active master of the bus (ACBST.MASTER=1), when START is set, a write to the ACBSDA register generates a Start Condition, then the ACBSDA data is transmitted as the slave's address and the requested transfer direction.

This case is a repeated Start Condition. It may be used to switch the direction of the data flow between the master and the slave, or to choose another slave device without using a Stop Condition in between.

The START bit is cleared when the Start Condition is sent, or on detection of a Bus Error (ACBST.BER=1).

This bit should be set only when in Master mode, or when requesting Master mode.

Bit 1 - STOP

In master mode, setting this bit generates a Stop Condition that completes or aborts the current message transfer. This bit clears itself after the STOP is issued.

Bit 2 - Interrupt Enable (INTEN)

When INTEN is cleared (0), the ACB interrupt is disabled. When INTEN is set, interrupts are enabled. An interrupt is generated (the interrupt signals to the ICU are high) on one of the following events:

- An address match is detected (ACBST.NMATCH=1) and NMINTEN=1
- A Bus Error occurs (ACBST.BERR=1)
- A negative acknowledge is received after sending a byte (ACBST.NEGACK=1).
- Acknowledgment of each transaction (same as the hardware set of the ACBST.SDAST bit).
- In master mode, if ACBCTL1.STASTRE=1, after a successful start (ACBST.STASTR=1).
- Detection of a Stop Condition while in slave mode (ACBST.SLVSTP=1).

Bit 4 - Receive Acknowledge (ACK)

When acting as a receiver, this bit holds the value of the next acknowledge cycle. It should be set when a negative acknowledge must be issued on the next byte. This bit is cleared (0) after the first acknowledge cycle.

This bit is ignored when in transmit mode. It cannot be reset by software.

Bit 5 - Global Call Match Enable (GCMEN)

When this bit is set, it enables the matching of an incoming address byte to the general call address (Start Condition followed by address byte of 00h) while the ACB is in slave mode. When cleared, the ACB does not respond to a global call.

Bit 6 - New Match Interrupt Enable (NMINTEN)

Set NMINTEN to enable the interrupt on a new match (i.e., when ACBST.NMATCH is set). The interrupt is issued only if ACBCTL1.INTEN is set.

Bit 7 - Stall After Start Enable (STASTRE)

When set (1), enables the stall after start mechanism. In such a case, the ACB stalls the bus after the address byte. When STASTRE is cleared, ACBST.STASTR is always cleared.

13.4.5 ACB Own Address Register (ACBADDR)

The ACBADDR Register is a byte-wide, read/write register that holds the module's ACCESS.bus address. The reset value of this register is undefined.

7	6	0
SAEN	ADDR	

Bits 6-0 - Own Address (ADDR)

Holds the 7-bit ACCESS.bus address of the PC87570. When in slave mode, the first seven bits received after a Start Condition are compared to this field (first bit received to bit 6, and the last to bit 0). If the address field matches the received data and ACBADDR.SAEN is 1, a match is declared.

Bit 7 - Slave Address Enable (SAEN)

When set (1), SAEN indicates that the ADDR field holds a valid address and enables the match of ADDR to an incoming address byte. When cleared, the ACB does not check for an address match.

13.4.6 ACB Control Register 2 (ACBCTL2)

The ACBCTL2 Register is a byte-wide, read/write the register that enables/disables the module and determines ACB clock rate. Upon reset and while the module is disabled (ACBCTL2.ENABLE=0), the ACBCTL1 is cleared (00h).

7	1	0
SCLFRQ		ENABLE

Bit 0 - ACB Module Enable (ENABLE)

When this bit is set the ACB module is enabled. When the Enable bit is cleared, the ACB module is disabled, ACBCTL1, ACBST and ACBCST are cleared, and the clocks are halted.

Bits 7-1 - SCL Frequency (SCLFRQ)

This field defines the SCL's period (low time and high time) when the PC87570 serves as a bus master. The clock low time and high time are defined as follows:

$$t_{SCL} = 4 * SCLFRQ * t_{CLK}$$

$$t_{SCLh} = t_{SCLl}$$

Where t_{CLK} is the PC87570 clock cycle when in Active mode (see Clock Output Signals in Table 19-9 on page 138).

SCLFRQ may be programmed to values in the range of 0001000_2 (8_{10}) through 1111111_2 (127_{10}). Using any other value has unpredictable results.

13.5 USAGE HINTS

1. When the ACB is disabled, the ACBCST.BB bit is cleared. After enabling the ACB (ACBCTL2.ENABLE is set to 1) in systems with more than one master, the bus may be in the middle of a transaction with another device, which is not reflected by BB.

To prevent bus errors, the ACB must synchronize with the bus activity status before issuing a request to become the bus master for the first time. The software should check that there is no activity on the bus by checking the BB bit after the bus allowed time-out period.

2. When waking up from power-down before checking ACBCST.MATCH, use ACBCST.BUSY to make sure that the address transaction is completed.
3. The BB bit is intended to solve a deadlock in which two or more devices detect a usage conflict on the bus and both cease being bus masters at the same time.

In this situation, the BB bits of both devices are active (because each “detects” another master currently performing a transaction, while in fact there is none), potentially causing the bus to stay locked until some device sends a ACBCTL1.STOP condition.

The ACBCST.BB bit allows the software to monitor bus usage so that it can detect whether the bus remains unused over a certain period of time, while the BB bit is set. It also avoids sending a STOP signal in the middle of the transaction of some other device on the bus.

4. In some cases, the bus may get stuck with the SCL and/or SDA lines active, such as when an erroneous Start or Stop Condition occurs in the middle of a slave receive session. If the SCL line is stuck active, the module that holds the bus must release it.

If the SDA line is stuck active, you can use the sequence below to release the bus.

Note: In normal cases, SCL may be toggled only by the bus master. This sequence is a recovery scheme which is an exception. Use it only if there is no other master on the bus.

- a. Disable and re-enable the module to set it for the slave mode not addressed.
- b. Set the ACBCTL1.START bit to attempt to issue a Start Condition.
- c. Check if the SDA line is active (low) by reading ACBCST.TSDA bit. If yes, issue a single SCL cycle by writing 1 to ACBCST.TGSCL bit. If the SDA line is not active, skip to step e.
- d. Check if ACBST.MASTER is set, which indicates that the Start Condition was sent. If not, repeat step c and d until the SDA is released.
- a. Clear the BB bit. This enables the START bit to be executed. Continue according to “Bus Idle Error Recovery” on page 101.

14.0 Multi-Function 16-Bit Timer (MFT16)

The MFT16 contains two independent 16-bit timer/counters. It can operate from several clock sources in Pulse Width Modulation (PWM), Capture or Counter mode in order to satisfy a wide range of application requirements.

14.1 FEATURES

- Two 16-bit programmable timers/counters
- Two 16-bit reload/capture registers which function either as reload registers or as capture registers, depending on the mode of operation
- A 5-bit fully programmable clock prescaler
- Clock source selectors for each counter which enable each counter to operate in:
 - Pulse accumulate mode
 - External event mode
 - Prescaled system clock mode
 - Slow speed clock input mode (where applicable)

- Two I/O pins (TA and TB) with programmable edge detection which operate as:
 - Capture inputs
 - Capture and preset inputs
 - External event (clock) inputs
 - PWM outputs
 - Two interrupts, one for each counter, which can be generated/ triggered by:
 - Timer underflow
 - Timer reload
 - Input capture
- Four pending bits, which can be polled by the user software, are associated with the two interrupts.

14.2 FUNCTIONAL DESCRIPTION

The MFT16 module consists of two functional units:

- A Clock Source Unit which contains a 5-bit prescaler and two separate clock source selectors, one for each counter.
- The main timer/counter and action unit which contains two counters, two reload registers, and a mode selector/control unit which defines the function of the I/O pins and the interrupts.

Figure 14-1 illustrates the contents of the MFT16 and their top level interaction.

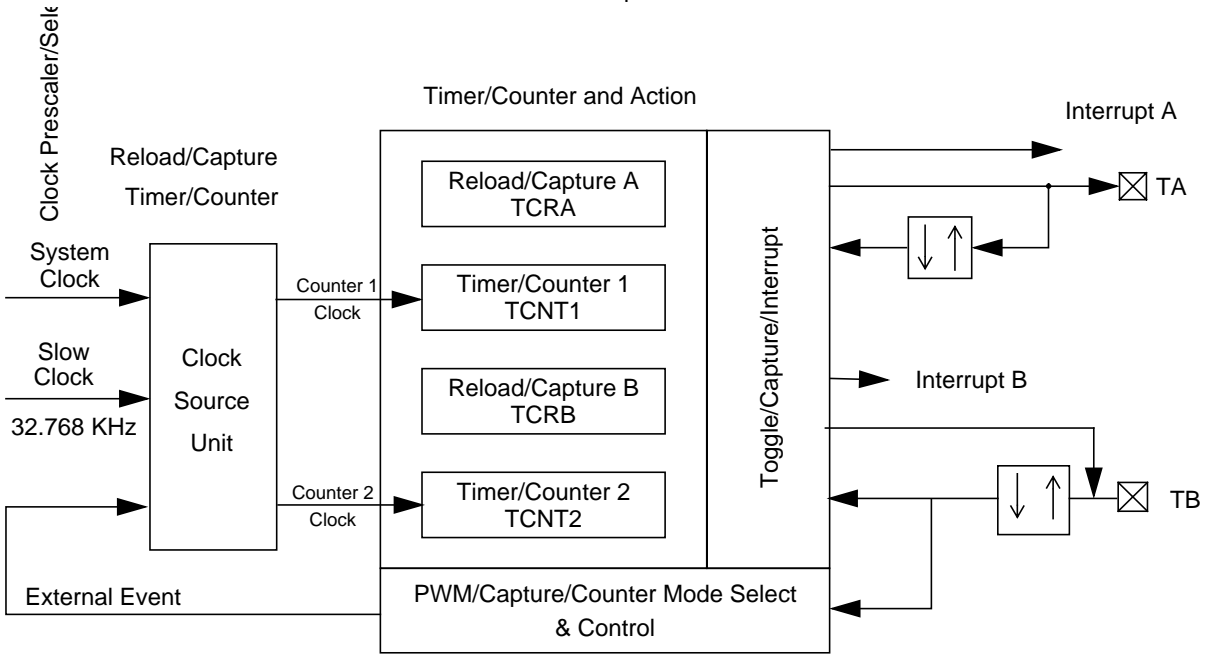


Figure 14-1. MFT16 Functional Diagram

14.3 CLOCK SOURCE UNIT

The clock source unit, Figure 14-2, contains two clock selectors for each counter and a 5-bit clock prescaler.

14.3.1 Prescaler

The 5-bit clock prescaler consists of a prescaler register, and a 5-bit counter, allowing you to run the timer with a prescaled clock. The system clock is divided by the value

contained in TPRSC+1. The minimum counter clock frequency is thus the system clock divided by 32, and the maximum counter clock frequency is equal to the system clock. The prescaler register, TPRSC, can be read or written by the user software at any time. The prescaler counter is a 5-bit down counter which can not be read or written by software. The 5-bit counter, and the prescaler register TPRSC, are cleared on reset

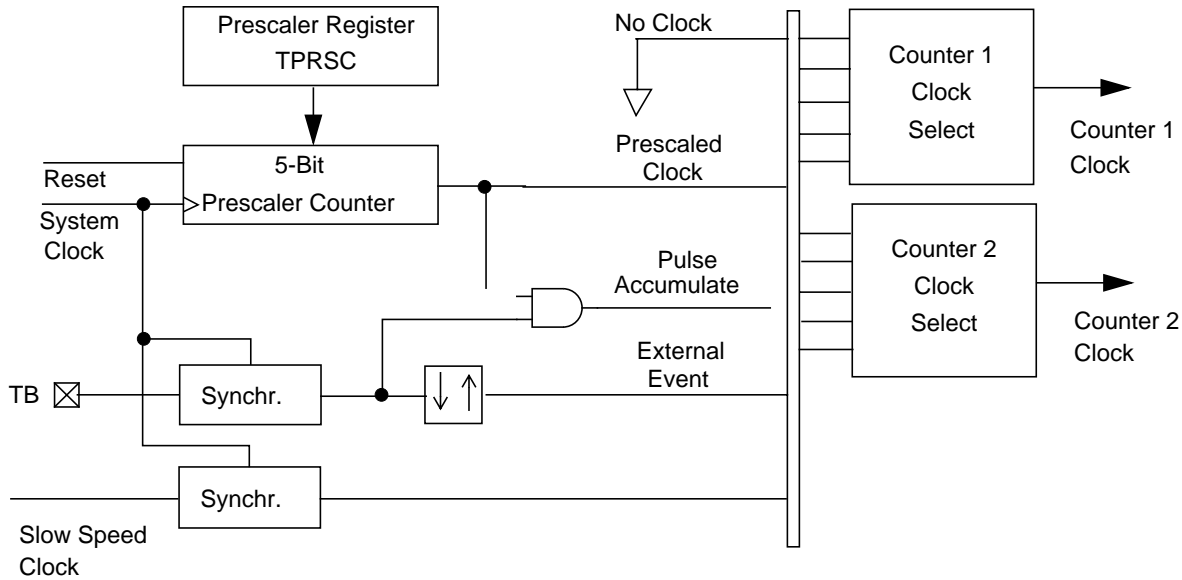


Figure 14-2. Clock Prescaler and Selector

14.3.2 External Event Clock

The TB I/O pin can be selected as an external event input clock source for any of the two 16-bit counters. The polarity of the input signal is user programmable to generate a count if either a rising or a falling edge is detected on TB. The minimum pulse width of the external signal is one system clock cycle, thus the maximum frequency with which the counter can run in this mode is limited to half the system clock frequency. This clock source is not available in the dual-channel capture modes because TB is used as a capture input.

14.3.3 Pulse Accumulate Mode

In pulse accumulate mode, the counter can also be clocked while an external signal on TB is either high or low. In this configuration, the output of the prescaler is gated with an external signal applied on the TB input. This mode can be used to obtain a cumulative count of prescaler output clock pulses, as shown in Figure 14-3.

Pulse accumulate mode is not available in the dual-channel capture mode which requires TB as an input. (See Section 14.4.1 for more details on the availability of TB.)

14.3.4 Slow Speed Clock

A slow speed clock of 32.768 KHz can be used as a clock source for the two 16-bit counters. The MFT16 synchronizes the slow speed clock with the system clock. Therefore, the maximum input frequency of the slow speed clock is the system clock rate divided by four.

Some power save modes stop the system clock completely. When this occurs, the timer stops counting the slow speed clock until the system clock resumes. While operating in a power save mode that uses a slow system clock, the slow speed clock source for the timer can only be used if it is at least four times faster than the slow speed clock for the counter.

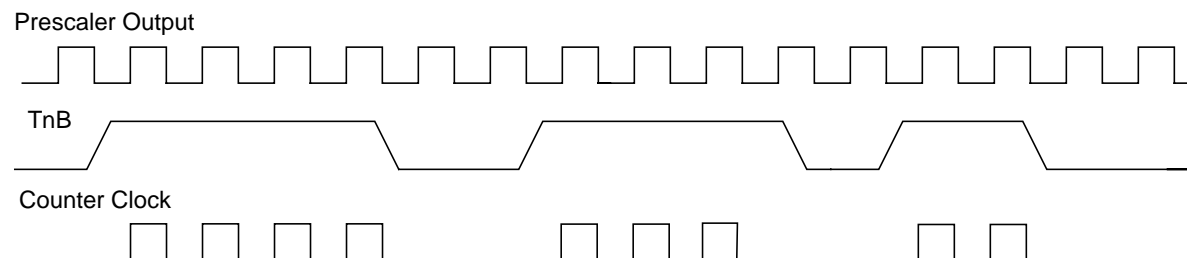


Figure 14-3. Pulse Accumulate Mode

14.3.5 Counter Clock Source Select

The clock source unit contains two clock source selectors which allow you to independently select the clock source for each of the two 16-bit counters from one of the following sources:

- No clock, in which case the counter is stopped
- Prescaled system clock
- External Event count based on TB
- Pulse Accumulate mode based on TB
- Slow Speed Clock i.e., 32.768 KHz

14.4 TIMER/COUNTER AND ACTION UNIT

The timer/counter and action unit consists of two 16-bit counters, TCNT1 and TCNT2, plus two 16-bit reload/capture registers, TCRA and TCRB. The timers are down counters capable of triggering events on underflow detection (count from 0000h to FFFFh). In addition, it contains the mode control logic which allows the timer to operate in any of four operation modes described below.

Different interrupts can be triggered on certain conditions and the functionality of the I/O pins change depending of the mode of operation. Therefore the interrupt control and I/O control are an integral part of the timer/counter unit.

14.4.1 Operation Modes

You can configure the MFT16 to operate in any one of four modes, as summarized in Table 14-1 and described in this section.

Table 14-1. Operation Modes

Mode	Description	Timer/Counter 1 (TCNT1)	Reload/Capture A (TCRA)	Reload/Capture B (TCRB)	Timer/Counter 2 (TCNT2)
1	PWM and system timer or external event counter	Counter for PWM	Auto Reload A = PWM time I	Auto reload = PWM time II	System Timer or external event counter
2	Dual input capture and system timer	Capture A and B time base	Capture counter 1 value on TA event	Capture counter 1 value on TB event	System Timer
3	Dual independent timer	Time base for first timer	Reload register for timer/counter I	Reload register for timer/counter II	Time base for second timer
4	Input capture and timer	Time base for first timer	Reload register for timer/counter I	Capture counter 1 value on TB event	Capture B time base

Mode 1, PWM and Counter

PWM can be used to generate precise pulses of known width and duty cycle on the TA pin. The timer is clocked by the instruction clock. An underflow causes the timer register to be reloaded alternately from the TCRA and TCRB registers, and optionally causes the TA output to toggle. Thus, the values stored in the TCRA and TCRB registers control the high and low time of the signal produced on TA. In the PWM mode timer/counter 2 can either be used as a simple system timer or as an external event counter. The counter can be loaded by the user software with a specific value and T can generate an interrupt after the pre-programmed number of external events have been received on the TB input.

Figure 14-4 shows a block diagram of the timer operating in mode1. In the PWM mode of operation counter 1, TCNT1, functions as the time base for the PWM timer. Counter 1 counts down at the clock rate selected via the counter 1 clock selector. When an underflow occurs, the timer register is reloaded alternately from the TCRA and TCRB registers, and counting proceeds downward from the loaded value. At the first underflow, the timer is loaded from TCRA, the second time from TCRB, the third time from TCRA, and so on. Note that every time the counter is stopped the selection of "No-Clock" via the counter 1 clock selector it obtains its first reload value after it has been re-started from the TCRA register. On reset, and every time this mode is entered, the first reload in this mode is from register TCRA.

The timer can be configured to toggle the TA output bit on underflow. This results in the generation of a clock signal on TA with the width and duty cycle controlled by the values stored in the TCRA and TCRB registers. This PWM clock is processor-independent because, once the timer is set up, no more interaction is required by the user software, and hence the CPU, to generate a continuous PWM signal. Software can select the initial value of the PWM output signal as either high or low. See "Timer I/O Functions" on page 113 for additional details. The timer can be configured to generate separate interrupts on reload from TCRA and TCRB. The interrupts can be enabled or disabled under software control. The TAPND or TBPND flags, respectively, which are set by the hardware on occurrence of a timer reload, indicate which interrupt occurred. (See Section 14.4.2 on page 113 for detailed information.)

In this mode of operation, the second timer/counter2 can be used as either a simple system timer, an external event counter, or as a pulse accumulate counter. Counter TCNT2 counts down with the clock selected via the counter2 clock selector, and can be configured to generate an interrupt on underflow, if enabled by the TDIEN bit. (See Section 14.4.2 on page 113 for detailed information.)

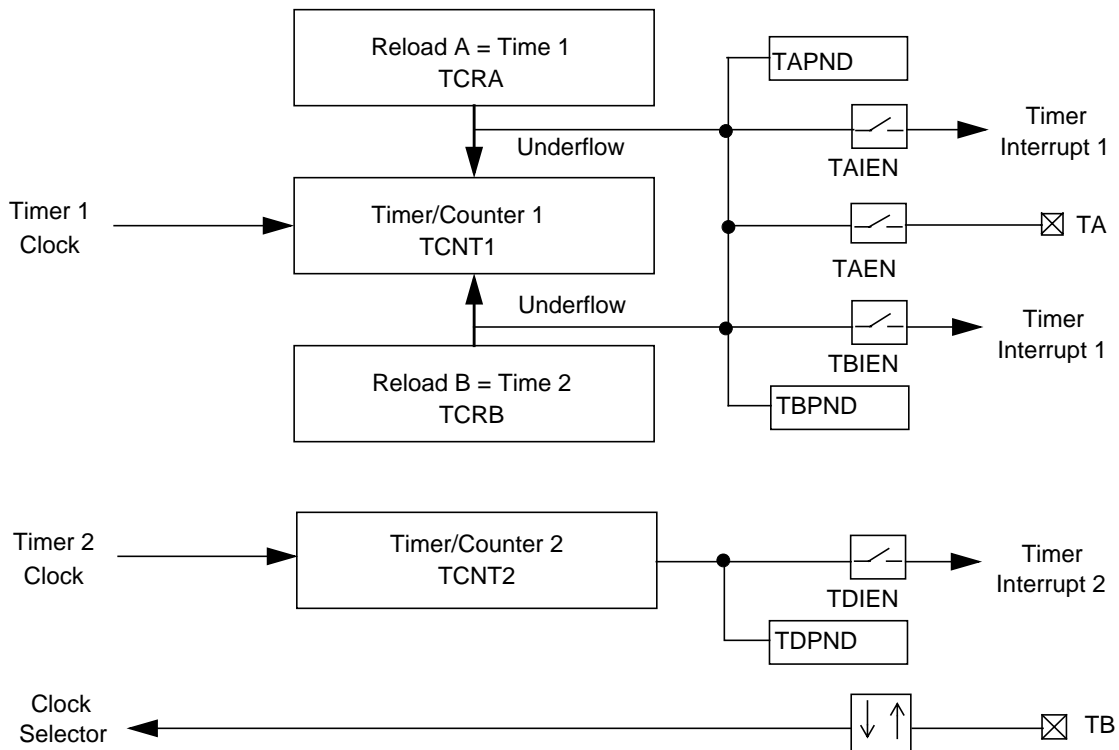


Figure 14-4. Mode 1, PWM and Counter

Mode 2, Dual Input Capture

Dual capture mode can be used to precisely measure the frequency of an external clock that is slower than the selected clock source frequency, or to measure the elapsed time between external events. A transition received on the TA or TB pin causes a transfer of the timer/counter 1 contents to the TCRA or TCRB register, respectively. In this mode timer/counter 2 can be utilized as a system timer which is pre-loaded by the user software and will generate an interrupt on underflow.

Figure 14-5 shows a block diagram of the timer operating in mode 2. In this mode of operation the timebase of the capture timer is formed by counter 1, which counts down with the clock selected via the counter 1 clock selector. In the dual-input capture mode, the TA and TB pins function as capture inputs. A transition received on the TA pin causes a transfer of the timer contents to the TCRA register. Similarly, a transition received on the TB pin causes a transfer of the timer contents to the TCRB register.

The TA and TB inputs can be configured to perform a counter preset to FFFFh on reception of a valid capture event. In this case the current value of the counter is transferred to the corresponding capture register and then the counter is preset to FFFFh. Using this approach allows you to determine directly the on-time, off-time, or period of an external signal while reducing CPU overhead.

The pulse width of the input signal on TA and TB must be equal to or greater than one system clock cycle. (See the AC Electrical Specs in Chapter 3 for additional details.) The

values captured in the TCRA register at different times reflect the elapsed time between transitions on the TA pin. The same is true for the TCRB register and TB pin. Each input pin can be configured to sense either positive-going or negative-going transitions.

The timer can be configured to generate interrupts on reception of a transition on either TA or TB, which can be enabled or disabled separately by the TAIEN and TBIEN bits. An underflow of TCNT1 can also generate an interrupt, if enabled by the TCIEN bit. All three interrupts have individual pending flags associated with them. (See Section 14.4.2 on page 113 for detailed information.)

The second timer/counter 2 can be used as a simple system timer in this mode of operation. The counter TCNT2 counts down with the clock selected via the counter 2 clock selector, and can be configured to generate an interrupt on underflow, if enabled by the TDIEN bit. (See Section 14.4.2 on page 113 for detailed information.)

Note that TCNT1 cannot operate in the "Pulse Accumulate" or "External Event Counter" modes of operations since the TB input is used as a capture input. Selecting either "Pulse Accumulate" mode or "External Event Counter" mode for TCNT1 causes TCNT1 to stop.

However, all available clock source modes may be selected for TCNT2. Thus it is possible to determine the number of capture events on TB, or the elapsed time between capture events on TB by using TCNT2.

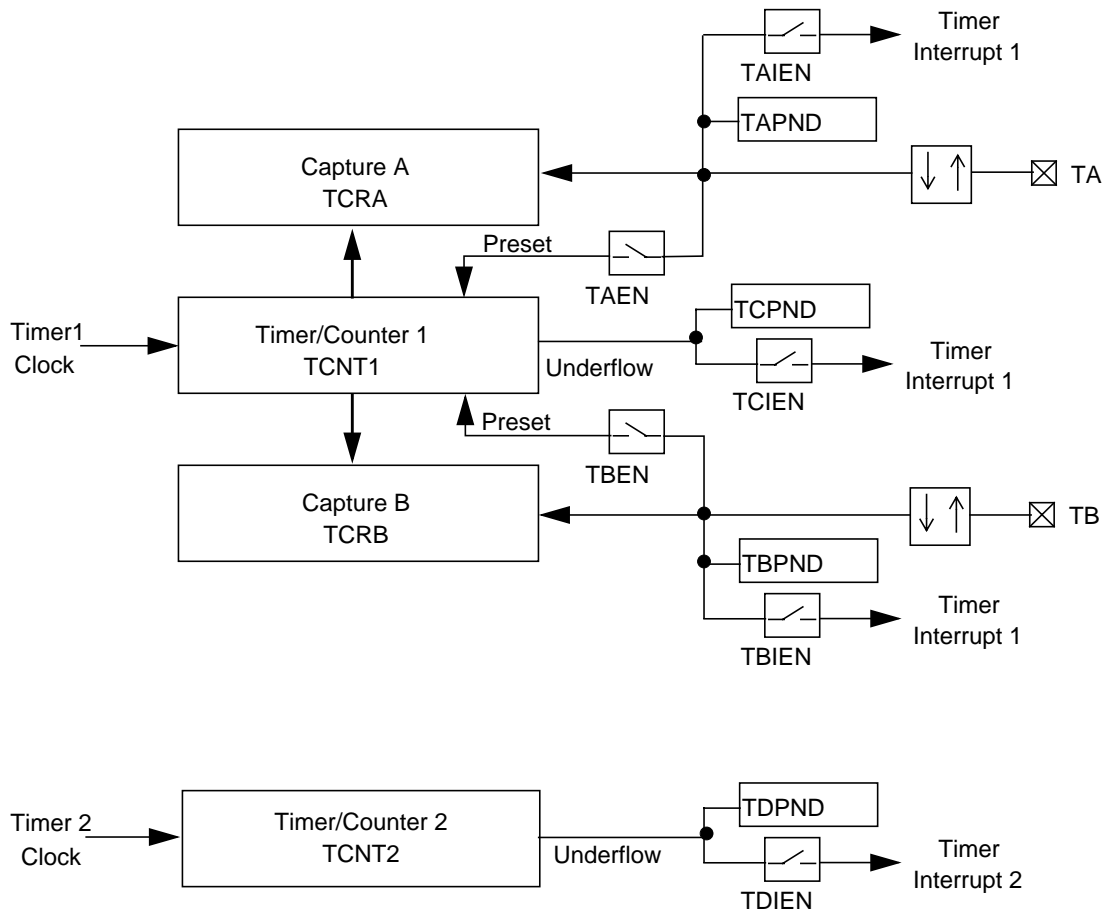


Figure 14-5. Mode 2, Dual Input Capture

Mode 3, Dual Independent Timer

Dual Independent Timer mode can be used for a wide variety of system tasks such as the generation of period system interrupts, either based on the prescaled clock or external events on TB. The timer can also toggle the TA pin on underflow allowing the simple generation of a processor-independent 50% duty cycle PWM signal on TA. In this mode TCNT1 counts down, and reloads from TCRA on underflow while TCNT2 is reloaded from TCRB on underflow.

In this mode the timer is configured to operate as a dual independent system timer, or dual external event counter. In addition, timer/counter 1 can generate a 50% duty cycle PWM signal on the TA pin. The TB pin can be used as an external event input, or pulse accumulate input, and forms the clock source to either counter 1 or counter II, as described above. Both counters can also be operated from the prescaled system clock. Figure 14-6 shows a block diagram of the timer in mode 3.

Timer/counter 1 (TCNT1) counts down at the rate of the selected clock. (See section "Counter Clock Source Select" on page 108 for additional details). On underflow TCNT1 is re-

loaded from the TCRA register, and counting proceeds. If enabled, the TA pin toggles on underflow of TCNT1. Software can select the initial value of the TA output as either high or low. See "Timer I/O Functions" on page 113 for additional details. In addition, the TAPND interrupt pending flag is set, and a timer interrupt 1 generated, if the TAIEN bit is set to 1. (See Section "Timer Interrupts" on page 113 for detailed information.) Since TA toggles on every underflow, a 50% duty cycle PWM signal can be generated on TA without requiring any interaction of the user software, and hence the CPU.

Timer/counter 2 (TCNT2) counts down at the rate of the selected clock. (See Section "Counter Clock Source Select" on page 108 additional details). On every underflow of TCNT2 the value contained in the TCRB register is loaded into TCNT2, and counting proceeds downwards from that value. In addition, the TDPND interrupt pending flag is set, and a timer interrupt 2 is generated if the TDIEN bit is set to 1. (See Section 14.4.2 on page 113 for detailed information.)

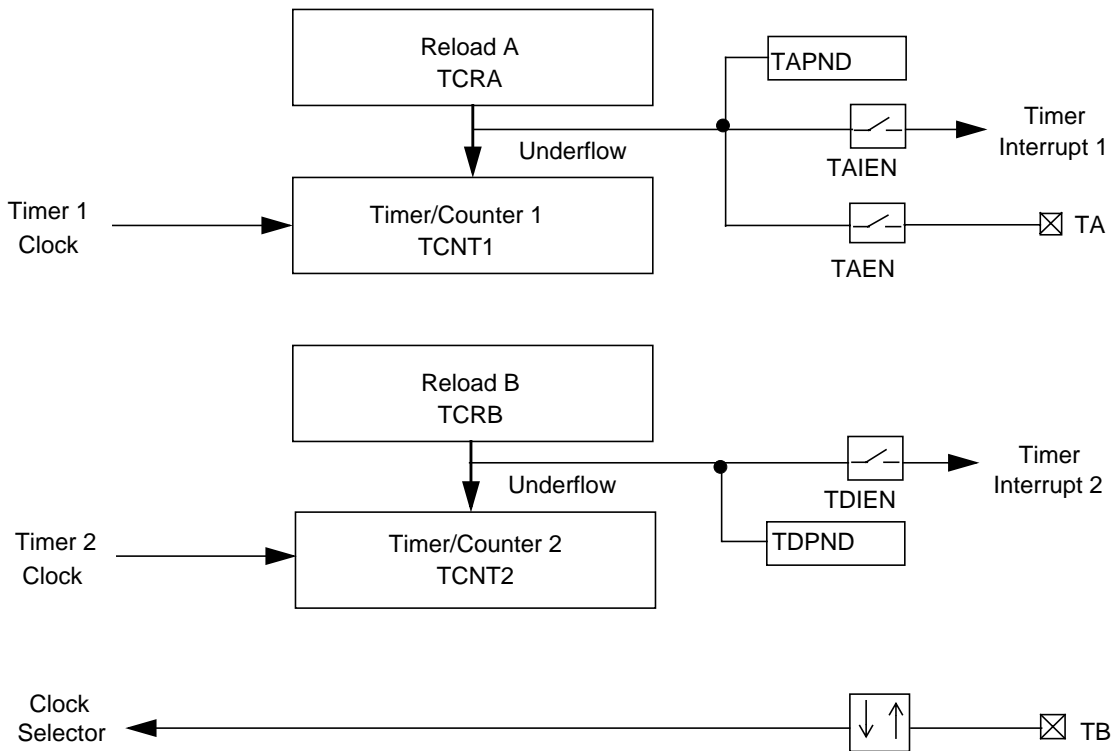


Figure 14-6. Mode 3, Dual Independent Timer

Mode 4, Input Capture and Timer

It is also possible to operate in a mode which offers a combination of a single timer with automatic reload and a single capture timer. In this mode TCNT1 operates as a PWM-timer which is reloaded from TCRA on underflow while TCNT2 forms the time base of the capture timer. The value on TCNT2 is transferred to TCRB on detection of a valid event on TB. It is possible to toggle TA on every underflow of TCNT1 and thus generate a 50% duty cycle PWM signal on TA.

This mode is a combination of mode 3 and mode 2, and allows you to operate the timer/counter 2 as a single input capture timer, while timer/counter 1 can be used as a system timer as described above. Figure 14-7 shows a block diagram of the timer in mode 4.

TCNT1 starts counting down once a clock has been enabled. On underflow TCNT1 is reloaded from the TCRA register, and counting proceeds downwards from that value. If enabled the TA pin toggles on every underflow of TCNT1. Software can select the initial value of the TA output signal as either high or low. See "Timer I/O Functions" on page 113 for additional details. In addition, the TAPND interrupt pending flag is set, and a timer interrupt 1 is generated, if the TAIEN bit is set to 1. (See Section "Timer Interrupts" on page 113 for detailed information). Since TA toggles on every underflow a 50% duty cycle PWM signal can be generated on TA without requiring any interaction of the user software and thus the CPU.

TCNT2 starts counting down once a clock has been enabled. When a transition is received on TB the value contained in TCNT2 is transferred to TCRB, and the interrupt pending flag TBPND is set. A timer interrupt 2 is generated, if it is enabled. You can enable a preset of the counter to FFFFh on detection of a transition on TB. In this case the current value of TCNT2 is transferred to TCRB, followed by a preset of the counter to FFFFh. TCNT2 starts counting downwards from FFFFh, until the next transition is received on TB, which causes the procedure of capture and preset to be repeated. Underflow of TCNT2 sets the TDPND interrupt pending flag, and can also generate a timer interrupt II, if enabled. (See Section "Timer Interrupts" for detailed information.) The input signal on TB must have a pulse width equal to, or greater than, one system clock cycle. (See the AC Electrical Specs in Chapter 3 for additional details.) TB can be configured to sense either positive-going or negative-going transitions.

Note that TCNT2 can not operate in the "Pulse Accumulate" or "External Event Counter" modes of operations since the TB input is used as a capture input. Selecting either "Pulse Accumulate" mode or "External Event Counter" mode for TCNT2 causes TCNT2 to stop.

However, all available clock source modes may be selected for TCNT1. Thus it is possible to determine the number of capture events on TB or the elapsed time between capture events on TB by using TCNT1.

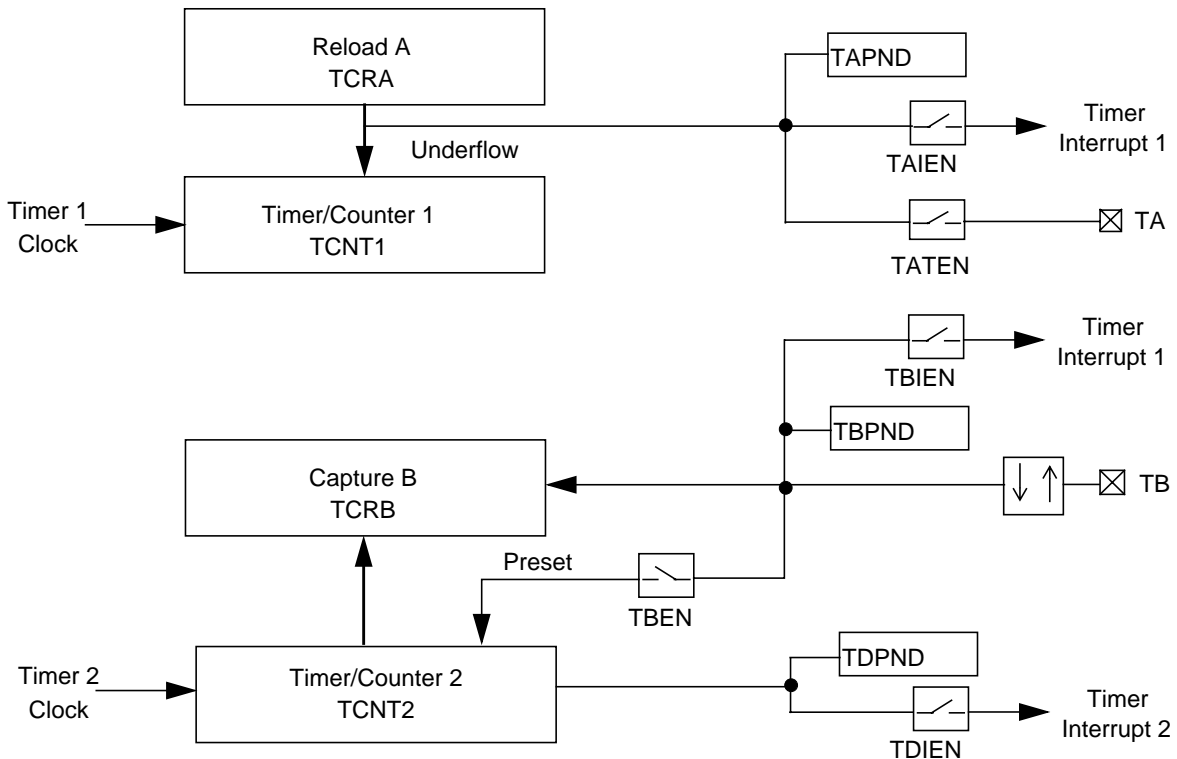


Figure 14-7. Mode 4, Input Capture and Timer

14.4.2 Timer Interrupts

The MFT16 contains a total of four interrupt sources which are mapped to two different system interrupts. All sources have a pending flag associated with them, and can be enabled or disabled under software control. The pending flags are TXPN_D, where n is the module and X is a letter from A to D. An interrupt enable flag, TXIEN, is associated with each interrupt pending flag. The interrupt source A, B and C can generate a timer interrupt I, while the interrupt source D can generate a timer interrupt II. Note that not all interrupt sources are available in all modes. Table 14-2 shows which events can trigger an interrupt in which mode of operation:

14.4.3 Timer I/O Functions

There are two I/O pins associated with each MFT, TA and TB. The functionality of TA and TB depends on the mode of operation, and the value of the TAEN and TBEN bits. Table 14-3 shows the function of TA and TB versus the selected mode of operation. Note that if TA functions as a PWM output, the initial and present value of TA is defined by TAOUT. For example, if you want to start with TA high, TAOUT must be set (1) prior to enabling the timer clock.

Table 14-2. MFT16 Interrupts

Sys. Int.	Interrupt Pending Flag	Mode 1	Mode 2	Mode 3	Mode 4
		PWM and Counter	Dual Input Capture	Dual Independent Timer	Input Capture and Timer
Timer Int. I	TAPND	TCNT1 reload from TCRA	Input capture on TA transition	TCNT1 reload from TCRA	TCNT1 reload from TCRA
	TBPND	TCNT1 reload from TCRB	Input Capture on TB transition	N/A	Input Capture on TB transition
	TCPND	N/A	TCNT1 underflow	N/A	N/A
Timer Int. II	TDPND	TCNT2 underflow	TCNT2 underflow	TCNT2 reload from TCRB	TCNT2 underflow

Table 14-3. MFT16 I/O Functions

I/O	TAEN TBEN	Mode 1	Mode 2	Mode 3	Mode 4
		PWM and Counter	Dual Input Capture	Dual Independent Timer	Input Capture and Timer
TA	TAEN=0 TBEN=X	No Output	Capture TCNT1 into TCRA	No Output toggle	No Output toggle
	TAEN=1 TBEN=X	Toggle Output on underflow of TCNT1	Capture TCNT1 into TCRA and preset TCNT1	Toggle Output on underflow of TCNT1	Toggle Output on underflow of TCNT1
TB	TAEN=X TBEN=0	Ext. Event or Pulse Accumulate Input	Capture TCNT1 into TCRB	Ext. Event or Pulse Accumulate Input	Capture TCNT2 into TCRB
	TAEN=X TBEN=1	Ext. Event or Pulse Accumulate Input	Capture TCNT1 into TCRB and preset TCNT1	Ext. Event or Pulse Accumulate Input	Capture TCNT2 into TCRB and preset TCNT2

14.5 MFT16 REGISTERS

14.5.1 Clock Prescaler Register (TPRSC)

The TPRSC Register is a byte-wide read/write register. It contains the current value of the clock prescaler, CLKPS. The register is cleared on reset. It defines the timer clock prescaler ratio.

7	5	4	0
Reserved		CLKPS	

Bits 4-0 - Clock Prescaler (CLKPS)

The timer clock is generated by dividing the system clock by CLKPS+1. Therefore the maximum timer clock frequency is equal to the system clock (CLKPS=00000₂) and the minimum timer clock is the system clock divided by 32 (CLKPS=11111₂).

14.5.2 Clock Unit Control Register (TCKC)

The TCKC Register is a byte-wide read/write register. It defines the clock source selection for each timer counter. The register is cleared on reset, thus disabling timer/counter 1 and timer/counter 2 clocks.

7	6	5	3	2	0
Reserved		C2CSEL	C1CSEL		

Bits 2-0 - Counter 1 Clock Select (C1CSEL)

- Defines the clock mode for timer/counter 1 where:
- 000: No Clock (Counter 1 stopped)
 - 001: Prescaled system clock
 - 010: External Event on TnB
 - 011: Pulse Accumulate
 - 100: Slow Speed Clock

Bits 5-3 - Counter 2 Clock Select (C2CSEL)

- Defines the clock mode for timer/counter 2 where:
- 000: No Clock (Counter 1 stopped)
 - 001: Prescaled system clock
 - 010: External Event on TnB
 - 011: Pulse Accumulate
 - 100: Slow Speed Clock

14.5.3 Timer/Counter Register 1 (TCNT1)

The TCNT1 Register is a word-wide register which is not altered by reset. The value on power-on is unknown.

15	0
TCNT1	

14.5.4 Timer/Counter Register 2 (TCNT2)

The TCNT2 Register is a word-wide read/write register which is not altered by reset. The power-up value is unknown.

15	0
TCNT2	

14.5.5 Reload/Capture Register A (TCRA)

The TCRA Register is a word-wide read/write register which is not affected by reset and thus contains random data on power-up.

15	0
TCRA	

14.5.6 Reload/Capture Register B (TCRB)

The TCRB Register is a word-wide read/write register which is not affected by reset and thus contains random data on power-up.

15	0
TCRB	

14.5.7 Timer Mode Control Register (TCTRL)

The TCTRL Register is a byte-wide read/write register. It defines the mode of operation of the timer/counter and the TA and TB I/O pins. The register is cleared on reset.

7	6	5	4	3	2	1	0
Res	TAOUT	TBEN	TAEN	TBEDG	TAEDG	MDSEL	

Bits 1-0 - Mode Select (MDSEL)

- Defines the MFT16 mode of operation where:
- 00: Mode 1
 - 01: Mode 2
 - 10: Mode 3
 - 11: Mode 4

Bit 2 - TA Edge Polarity (TAEDG)

When cleared (0) a high-to-low transition on TA causes the action defined by the mode of operation e.g., input capture. When set (1) a low-to-high transition on TA results in the defined action.

Bit 3 - TB Edge Polarity (TBEDG)

When cleared (0) a high-to-low transition on TB causes the action defined by the mode of operation e.g., input capture or external event count. When set (1) a low-to-high transition on TB results in the defined action. In pulse accumulate mode, when set (1) count is enabled if TB is high. When cleared (0), and while operating in pulse accumulate mode, the counter is enabled if TB is low.

Bit 4 - TA Enable (TAEN)

Enables TA to function either as a preset input, or as a PWM output, depending on the mode of operation. If the bit is set (1), while operating in the “Dual Input Capture” mode (Mode 2), a transition on TA causes TCNT1 to be preset to FFFFh. In the remaining modes of operation setting TAEN enables TA to function as a PWM output. See Table 14-3 on page 113 for additional information.

Bit 5 - TB Enable (TBEN)

If set (1), and while operating in “Dual Input Capture Mode” (Mode 2), or “Input Capture + Timer Mode” (Mode 4), a transition on TB causes the corresponding timer/counter to be preset to FFFFh. In mode 2 TCNT1 is preset to FFFFh, while in mode 4 TCNT2 is preset to FFFFh. The bit has no effect while operating in any mode than other mode 2 or mode 4. See Table 14-3 on page 113 for additional information.

Bit 6 - TA Output Data (TAOUT)

This bit contains the value of the TA output when TA is used as a PWM output. When set (1), TA is high. If cleared TA, is low. The bit is set and cleared by the hardware, and thus reflects the status of TA. You can read or write the bit at any time. Note that if the hardware attempts to toggle the bit at the same time as the user software writes to the bit, the software write takes precedence over the hardware update. The bit has no effect when TA is used as an input.

14.5.8 Timer Interrupt Control Register (TICTL)

The TICTL Register is a byte-wide read/write register. It contains the interrupt enable bit and associated interrupt pending bits for the four timer interrupt sources.

7	6	5	4	3	2	1	0
TDIEN	TCIEN	TBIEN	TAIEN	TDPND	TCPND	TBPND	TAPND

Bit 0 - Timer Interrupt Source A Pending (TAPND)

If set (1), indicates that an interrupt condition, as shown in Table 14-2, has occurred. This bit can be set by both the hardware and the user. You can not clear the bit (0) directly, but must be cleared via the “Timer Interrupt Clear” register. A write of 0 by the user software is ignored. The bit is cleared (0) on reset.

Bit 1 - Timer Interrupt Source B Pending (TBPND)

Same as TAPND but for a different condition, as shown in Table 14-2.

Bit 2 - Timer Interrupt Source C Pending (TCPND)

Same as TAPND but for a different condition, as shown in Table 14-2.

Bit 3 - Timer Interrupt Source D Pending (TDPND)

Same as TAPND but for a different condition, as shown in Table 14-2.

Bit 4 - Timer Interrupt A Enable (TCPND)

When set (1), enables a system interrupt based on the occurrence of a condition as listed in Table 14-2. When cleared (0), no system interrupt occurs, but the associated pending flag TAPND is still set. The bit can be set or cleared by the user software at any time.

Bit 5 - Timer Interrupt A Enable (TBIEN)

Same as TAIEN, but for a condition listed in Table 14-2 which causes the TBPND flag to be set by the hardware.

Bit 6 - Timer Interrupt A Enable (TCIEN)

Same as TAIEN, but for a condition listed in Table 14-2 which causes the TCPND flag to be set by the hardware.

Bit 7 - Timer Interrupt A Enable (TDIEN)

Same as TAIEN, but for a condition listed in Table 14-2 which causes the TDPND flag to be set by the hardware.

14.5.9 Timer Interrupt Clear Register (TICLR)

The TICLR Register is an byte-wide write-only register. It controls the clear of the pending flags TAPND, TBPND, TCPND and TDPND located in the TICTRL register.

7	4	3	2	1	0
Res	TDCLR	TCCLR	TBCLR	TACLRL	

Bit 0 - Timer Pending A Clear (TACLRL)

When written to a 1, causes the TAPND flag to be cleared (0). When written to a 0, the bit has no effect on TAPND; thus, the previous value of TAPND is maintained.

Bit 1 - Timer Pending B Clear (TBCLR)

Has identical functionality to TACLRL, but affects the TBPND flag.

Bit 2 - Timer Pending C Clear (TCCLR)

Has identical functionality to TACLRL, but affects the TCPND flag.

Bit 3 - Timer Pending D Clear (TDCLR)

Has identical functionality to TACLRL, but affects the TDPND flag.

15.0 Timer and WATCHDOG (TWD)

The TWD generates the clocks and interrupts used for timing periodic functions in the system; it also provides WATCHDOG protection over software execution.

The TWD provides flexibility in system configuration by enabling the configuration of various clock ratios. After setting the TWD configuration, the software can lock it to give a higher level of protection against erroneous software action. Once a section of the TWD is locked, only reset releases it.

15.1 FEATURES

- 32.768KHz input clock
- Programmable pre-scale counter
- 16-bit programmable periodic interrupt timer
- 8-bit WATCHDOG counter
- WATCHDOG signal generation in response to various failure detection

15.2 FUNCTIONAL DESCRIPTION

15.2.1 Input Clock

The TWD bases all its counting activities on a 32.768KHz clock. The WATCHDOG can count using a division of the 32KHz clock (either T0OUT or T0IN) or an alternate clock. The alternate clock source is selected with a hardware selection signal.

15.2.2 Pre-Scale

A pre-scale counter divides the input clock (32.768KHz) by a factor of 2^{MDIV} . MDIV (TWCP.MDIV field) is in the range of 0 through 5 (i.e., divide ratio of 1:1 through 1:32). The pre-scaled output is used as an input clock for a 16-bit timer (TWDT0), and is referred to as T0IN.

15.2.3 TWD Timer 0

TWD Timer 0 is a 16-bit, programmable, automatically re-triggered down-counter. It counts on the rising edge of T0IN. It starts from the value loaded to TWDT0 register down to zero, and then restarts counting from TWDT0 at the next T0IN cycle.

When the counter reaches 0, T0OUT is set (1) for one T0IN cycle. This makes the Timer 0 cycle:

TWDT0 + 1 x T0IN-cycle.

T0OUT is input to the ICU and can be used as the time base for activities such as system tick.

When TWDT0 is loaded with a new value, the counter uses it the next time it re-starts counting (i.e., after reaching zero). If timer control register T0CSR.RST is written 1, the timer is restarted on the next rising edge of T0IN.

See Figure 15-1 for the TWD block diagram.

Note:

1. The T0CSR.RST bit is cleared after completing this load.
2. When TWCP.MDIV=0, the timer counter may skip one count when loaded with a new value.

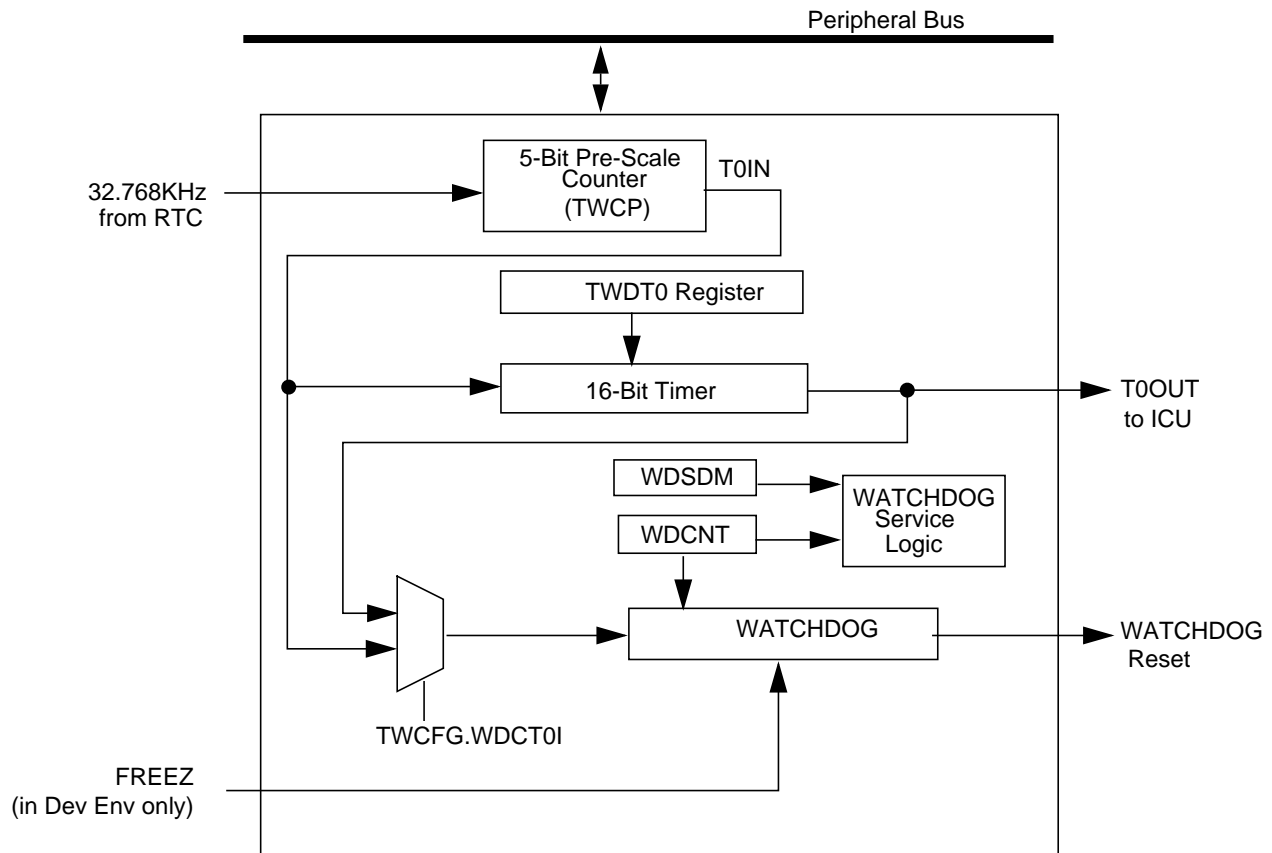


Figure 15-1. Timer and WATCHDOG Block Diagram

15.3 WATCHDOG OPERATION

The WATCHDOG is an 8-bit down counter, operating on the rising edge of its currently selected clock source. Upon reset, it is disabled (i.e., it does not count and no WATCHDOG signal is generated). A write to the WATCHDOG Count Register (WDCNT) or a write to the WATCHDOG Service Data Match (WSDSM) Register starts the counter. Once started, only reset can stop the WATCHDOG.

Writing to the WDCNT Register (when WDCFG.LWDCNT=0) starts the WATCHDOG counting down from the written value. If the service on data match is enabled (WDCFG.WSDSME = 1), writing to the WSDSM Register with 5Ch restarts the WATCHDOG counter from the value stored in WDCNT. Any other data causes a WATCHDOG signal.

A WATCHDOG signal is triggered if:

- The counter reaches zero (too late service)
- The WATCHDOG is written to more than once per WATCHDOG clock cycle for the currently selected clock (too early service).

WATCHDOG Clock Source Selection

Select the clock source as follows:

TWCFG.WDCT01 = 0 T0OUT
 TWCFG.WDCT01 = 1 T0IN

Changing the WATCHDOG clock source may cause it to gain or lose one clock cycle.

Notes:

1. When TWCP.MDIV=0, the WATCHDOG counter may skip one count when loaded with a new value.
2. Avoid entering Idle mode in the first four low frequency clock cycles after first activating the WATCHDOG.

15.4 TWD CONTROL AND CONFIGURATION

The TWD Configuration Register (TWCFG) allows you to:

- Set the WATCHDOG clock source: T0IN or T0OUT
- Enable WATCHDOG service on write to WSDSM Register
- Define which of TWCFG, TWCP, TWDT0, T0CSR and WDCNT is locked.

Once LTWCFG, LTWCP, LTWDT0 or LWDCNT are set in the TWCFG Register, their respective resources are locked and may be cleared only by reset. Setting any of these registers prevents runaway software from tampering with the respective WATCHDOG function.

15.5 OPERATION IN IDLE MODE

The TWD is active in Idle mode. In this mode, the counters continue to function. All registers are accessible in Active mode only.

Write operations to TWCP, TWDT0 and WDCNT may be delayed by up to 3 32.768 KHz clock cycles. The software should avoid entering Idle mode during this period.

15.6 TWD REGISTERS

15.6.1 Timer and WATCHDOG Configuration Registers (TWCFG)

The TWCFG Register is a byte wide, read/write register. It defines the WATCHDOG clock input and service method and enables TWD control registers locking. Setting the required configuration and locking the TWCFG, stops the software from interfering with the WATCHDOG operation. Upon reset, the non-reserved bits of TWCFG are initialized to 0.

7	6	5	4	3	2	1	0
Res	WSDSME	WDCT0I	LWDCNT	LTWDT0	LTWCP	LTWCFG	

Bit 0 - Lock TWCFG Register (LTWCFG)

When cleared (0), enables read/write from/to the TWCFG Register. When set (1), any data written to it is ignored and reading from it returns unpredictable values. Once LTWCFG is set, it can only be cleared by reset.

Bit 1 - Lock TWCP Register (LTWCP)

When cleared (0), enables read/write from/to the TWCP Register. When set (1), any data written to it is ignored and reading from it returns unpredictable values. Once LTWCP is set, it can only be cleared by reset.

Bit 2 - Lock TWDT0 Register (LTWDT0)

When cleared (0), enables read/write from/to the TWDT0 and T0CSR Registers. When LTWDT0 is set (1), the registers cannot be written to, and TWDT0 cannot be read. Any data written to TWDT0 or T0CSR is ignored. Reading from TWDT0 returns unpredictable values. Once LTWDT0 is set, it can only be cleared by reset.

Bit 3 - Lock WDCNT Register (LWDCNT)

When cleared (0), enables write to the WDCNT Register. When set (1), any data written to it is ignored and reading from it returns unpredictable values. Once LWDCNT is set, it can only be cleared by reset.

Bit 4 - WATCHDOG Clock from T0IN (WDCT0I)

When cleared (0), selects the T0OUT clock as the WATCHDOG clock. When set (1), selects T0IN as the input clock. The hardware clock source selection overrides this clock selection.

Bit 5 - WATCHDOG Service on Data Match Enable (WSDSME)

When cleared (0), disables the watchdog service using the WSDSM Register. In this case, the WATCHDOG should be serviced by writing a value to the WDCNT Register. When set (1), selects the use of data match using the WSDSM mechanism. When this bit is cleared, write operations to WSDSM are ignored.

15.6.2 Timer and Watchdog Clock Pre-Scaler Register (TWCP)

The TWCP Register is a byte wide, read/write register. It defines the pre-scale ratio of the input clock and generates the T0IN clock. Upon reset, the non-reserved bits of TWCP are initialized to 0.

7	4	2	0
Reserved		MDIV	

Bits 2-0 - Main Clock Divide (MDIV)

Defines the pre-scale ratio of the input clock. The pre-scale ratio is 2^{MDIV} . MDIV must be in the range of zero to five, providing a pre-scale ratio of 1 to 32. Table Figure 15-1 summarizes MDIV allowed values.

Table 15-1. MDIV Values

MDIV	Clock Ratio
000	1:1
001	1:2
010	1:4
011	1:8
100	1:16
101	1:32
Other	Reserved

15.6.3 TWD Timer 0 Register (TWDT0)

The TWDT0 Register is a read/write register. It defines the T0OUT interrupt rate. Upon reset, this register is initialized to FFFFh.



Bits 7-0 - PRESET

Defines the counter preset value. Whenever the counter reaches zero, it starts counting down from this value. The T0OUT frequency is the T0IN frequency divided by (PRESET+1). The allowed values of the PRESET field are 0001h through FFFFh.

15.6.4 TWDT0 Control and Status Register (T0CSR)

The T0CSR Register is a read/write register. It controls the operation and provides the status of the T0 timer. The non-reserved bits of T0CSR are cleared (0) on reset.



Bit 0 - Restart (RST)

When set (1), forces the timer to restart counting in the next input clock rising edge. The bit is cleared by the input clock rising edge, indicating that the counter resumed its automatic re-triggerable operation. Writing 0 to this bit is ignored.

Bit 1 - Terminal Count (TC)

The TC bit indicates that the counter has reached zero (terminal count). This bit is cleared each time the register is read. It is a read only bit and data written to it is ignored.

15.6.5 WATCHDOG Count Register (WDCNT)

The WDCNT Register is a byte wide, write only register. It holds the value loaded into the WATCHDOG counter when it is serviced, and counts down from it. The WATCHDOG is started by the first write to the register. Each successive write restarts the WATCHDOG count. Upon reset this register is initialized to 0Fh.



Bits 7-0 - PRESET

Defines the counter preset value. Whenever the counter reaches zero, it starts counting down from this value. The T0OUT frequency is the T0IN frequency divided by (PRESET+1). The allowed values of the PRESET field are 0001h through FFFFh.

15.6.6 WATCHDOG Service Data Match Register (WSDSM)

The WSDSM Register is an 8-bit write only register. When TWCFG.WSDSME is set, the WATCHDOG counting restarts from the value in WDCNT, when WSDSM is written with 5Ch. If any other data is written to this register, it triggers a WATCHDOG signal. If RSDATA is written for a second time before one WATCHDOG clock has occurred, this also triggers a WATCHDOG signal. Any write to this register when TWCFG.WSDSME is cleared is ignored.



Bits 7-0 - Restart Data (RSDATA)

15.7 USAGE HINTS

The TWD protects WATCHDOG operation from software tampering. To achieve the highest level of protection, proceed as follows:

1. Program the TWDT0 pre-scale and TMWT0 timers to the desired values.
2. Configure the WATCHDOG clock to use T0IN or T0OUT using TWCFG.WDCT0I bit.
3. Program the WDCTL to the maximum period between WATCHDOG touch operations. Note that from this point, the WATCHDOG starts operating and must be touched periodically to prevent a WATCHDOG error signal.
4. Configure the WATCHDOG to use data match, and lock all the TWD configuration and setting registers by setting bits 0 through 4 and bit 6 of the WDCFG.
5. Touch the WATCHDOG by writing 5Ch to WSDSM at the appropriate rate (i.e., no more than once every WATCHDOG clock cycle and no less than the period programmed to WDCTL).

16.2.1 Reset

The ADC status and control registers are reset to their default values in the following two ways:

Cold Reset. Upon power-up, an internal power-up detect circuit generates a reset cycle. See Section 2.3 on page 26.

Warm Reset. When the chip is powered up and a positive pulse is applied on the Host Master Reset (HMR) input pin, a reset cycle is performed. See also HMR pin functionality in Table 2-1 on page 21.

16.2.2 Reference Voltage

The analog input voltages are converted relative to a reference voltage. See both Figure 16-1 and "Bit 1 - Internal VREF (INTREF)" on page 123 for details. For DC specifications, see Table 19-5 on page 134. The ADC can use either an internal or external reference voltage, as follows:

Internal Reference Voltage. This is generated on-chip by a high accuracy circuit, which can be internally connected to the converter. The on-chip reference is used when the INTREF bit of the ADCCNT1 register is set (1). The accuracy of the internal reference is higher than required by most applications.

External Reference Voltage. To apply an external reference voltage to the V_{REF} pin, the internal reference voltage must be disabled. In this case, the external reference voltage should be within the actual AGND and AV_{CC}. The accuracy of the conversion is directly dependent on the precision of the external reference. To use this option, the INTREF bit of the ADCCNT1 register must be cleared (0).

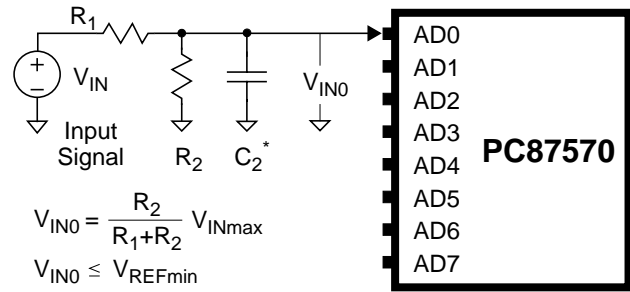
Note 1: The V_{REF} pin filters the internal reference. In both internal and external configurations, a 0.47 μF filtering capacitor, C₁, should be placed as close as possible to V_{REF}, as shown in Figure 16-1.

Note 2: It is recommended to use an internal reference voltage instead of an external one. Internal reference voltage is far more accurate, and also enables/disables control for reducing the current consumption to zero. If an input voltage of more than 2.5 V must be converted, use an external resistor divider as detailed in Figure 16-2. Using the external reference voltage configuration with V_{REF} connected to AV_{CC} is not recommended, since it results in lower accuracy, higher current consumption and causes difficulties in measuring AV_{CC} voltage. Also, the code is dependent on the value of AV_{CC} used, 3.3 V or 5.0 V.

16.2.3 Input Signal Range

The ADC performs a linear conversion of the input voltage signal to an unsigned digital representation. The input signal should be applied relative to the AGND pin, and should range from a minimum of AGND to a maximum of the actual V_{REF}.

An input signal of zero (ground) is converted to 00h. An input signal equal to (255/256)·V_{REF} is converted as FFh. When the input signal is higher than the maximum input range, the ADC generates a result which may be lower than FFh. To prevent this, a simple resistor divider should be used before the analog input (see Figure 16-2). The divider should be calculated so that its output is lower than V_{REFmin} for the maximum input signal, as specified in Table 19-5 on page 134.



$$V_{IN0} = \frac{R_2}{R_1 + R_2} V_{INmax}$$

$$V_{IN0} \leq V_{REFmin}$$

C₂ is an optional capacitor for noise filtering

Figure 16-2. Analog Input Resistor Divider

16.2.4 ADC Clock

The ADC clock is generated by the on-chip clock multiplier (see Chapter 7 on page 76). This clock can be divided by 1, 2, 4, 8, 16, 32 or 64, by programming the pre-scaler located at CDIV of the ADCCNT3 Register. The ADC clock must operate at a rate lower than 1 MHz. The Clock Divider (see Figure 16-1) allows ADC usage in systems with a higher clock rate. CDIV must be programmed prior to enabling the ADC (i.e., while ADCEN of the ADCCNT1 Register is 0).

16.2.5 Initializing and Enabling the ADC

The PC87570 wakes up after power-up with the ADC disabled (ADCEN of the ADCCNT1 Register is cleared). In this state, all ADC activities are halted, and its current consumption is reduced to zero.

Initializing the ADC. The ADC must be initialized prior to being enabled. The following fields/bits must be set:

Table 16-1. ADC Initialization Settings

Field/Bit	Register	Description
CDIV	ADCCNT3	ADC clock rate
DELAY	ADCCNT3	Required sampling time
INTE	ADCCNT1	Interrupt mode (if required)
INTREF	ADCCNT1	Internal reference voltage source enable (if required)

Enabling the ADC. The ADC is enabled by setting ADCEN of the ADCCNT1 Register to 1. The internal reference voltage is enabled by setting INTREF of this same register to 1. The internal reference cannot be enabled if the ADC is not enabled.

After the ADC is enabled, its internal circuits need a maximum activation delay of 100 μs. The internal reference voltage needs a typical 50 μs delay to charge the external filtering capacitor of 0.47 μF, present on V_{REF}, as shown in Figure 16-1.

Both ADCEN and INTREF can be set in one write operation to the ADCCNT1 Register so that their delays begin simultaneously. Before attempting to start the first conversion cycle, the software should wait 100 μs after enabling the ADC and the internal reference. See the T_{ACT} parameter in Table 19-5 on page 134. When re-enabling the ADC after it has been disabled, the software should again wait 100 μs.

Note: After the ADC is enabled, it is recommended not to change the control bits listed in Table 16-1 on page 120. Otherwise, unpredictable results may occur.

16.2.6 ADC Operation

Before starting the conversion, the ADC should be initialized and enabled as described in Section 16.2.5. Then follow the procedures listed in Table 16-2.

Either a single conversion or a burst of four conversions may be selected, to be executed once or continuously. The conversion parameters are defined by fields in the ADCCNT1 and ADCCNT2 Registers. See Section 16.3 for more details. A conversion is started when the START bit of the ADCCNT2 Register is set. All ADCCNT2 fields may be written simultaneously in a single register access, as shown in Table 16-2. In continuous conversion modes, repeat the last two steps for as long as samples are needed. Then, stop the ADC by clearing START.

Table 16-2. Procedure for ADC Operation

Action	Register	Description
1. Set ADCEN=1	ADCCNT1	Enable the ADC
2. Set CHANNEL, CONT and SCAN	ADCCNT2	Select channel and mode
3. Set START=1	ADCCNT2	Start conversion
4. Wait until EOC=1	ADCST	Poll until end of conversion, or use interrupt
5. Read ADDATA0-3	ADDATA0-3	Read conversion results

16.2.7 Disabling the ADC to Save Power

When the ADC is not converting, it may be disabled to reduce its current consumption from the AV_{CC} to less than 0.1 μA. The PC87570 must first be placed in Idle mode, as described in Section 8.3.1.

The decision to disable the ADC should be based on the expected Idle mode period, as follows:

- If shorter than 100 μs, the ADC should remain enabled.
- If longer than 100 μs and if an additional latency period of 100 μs is acceptable when returning from Idle mode, the ADC can be disabled to save power.

See Figure 16-3 for the correct sequence for disabling it. First make sure that the START bit of the ADCCNT2 Register is cleared. Then check the BUSY bit of the ADCST Register; if set, wait until it is cleared by the hardware before disabling the ADC.

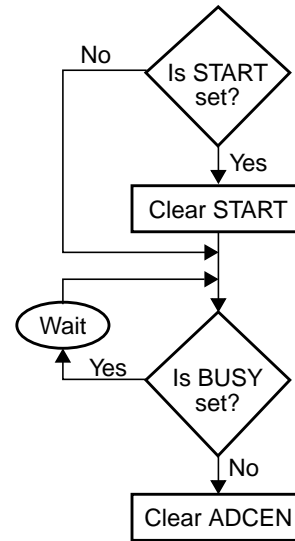


Figure 16-3. Disabling ADC Sequence

16.2.8 Sampling Time

The sampling time begins from when the START bit of the ADCCNT2 Register is set until the conversion starts. The DELAY bit of the ADCCNT3 Register defines this time, either from when START is set or from completion of a previous conversion. During this time, the sampling capacitor is charged. To allow flexibility, the sampling time is programmable by delaying the ADC conversion start until the signal on the Sample and Hold capacitor settles.

Each conversion operation takes 10 ADC clock cycles. To calculate the sampling time, see Table 9-1 on page 81.

16.2.9 Polling Driven Operation

Results may be read by polling EOC of the ADCST Register. When this bit is set, a valid result is held in the data buffers. Registers ADDATA0-3 hold results according to the ADC operation mode. BUFPTR of the ADCST Register points to the last data item written to the buffer. EOC is cleared by reading the results.

16.2.10 Interrupt Driven Operation

The ADC can generate an interrupt to the CR16A core upon completion of a conversion. The interrupt is routed to the ICU, as INT5. See Table 9-2 on page 82.

To enable interrupt generation from the ADC interface to the ICU, INTE of the ADCCNT1 Register must be set. The ADC then issues an interrupt when EOC of the ADCST Register is set. The interrupt request type is high level, and is asserted when the buffer is full or when the operation is completed, according to the specific operation mode. The interrupt request is deasserted when any one of the data registers is read.

16.2.11 Overflow

An overflow occurs when a conversion is completed and its designated data buffer is full. A data buffer is full if it contains valid data and is not read until new data is ready.

If an overflow occurs, the new data overrides the old data in the buffer, and OVF of the ADCST Register is set.

Once set by an overflow condition, OVF remains set until the software clears it by writing 1 to it.

16.3 OPERATION MODES

The ADC supports four modes of automated operation, as defined by SCAN and CONT of the ADCCNT2 Register. Table 16-3 summarizes ADC operation in the various modes. Channel and mode selection (CHANNEL, SCAN and CONT

of the ADCCNT2 Register) should be changed only when no conversion is in progress (i.e., START of the ADCCNT2 Register and BUSY of the ADCST Register are both 0).

In the scan modes, CHANNEL points to the first channel to be converted. The other three channels use a modulo-8 counting scheme (channel 7 is followed by channel 0).

Table 16-3. ADC Operation Modes

Mode	ADCCNT2 Register Bits		Description
	SCAN	CONT	
One Channel, Single Conversion	0	0	<p>One conversion is performed for the channel specified by CHANNEL of the ADCCNT2 Register. When the conversion is completed:</p> <ul style="list-style-type: none"> • The result is placed in the ADDATA0 Register. • START of the ADCCNT2 Register is cleared. • EOC of the ADCST Register is set. • The interrupt request signal is asserted (1) if INTE of the ADCCNT1 Register is set.
One Channel, Continuous Conversion	0	1	<p>Continuous conversions are performed for the channel specified by CHANNEL of the ADCCNT2 Register. The next conversion starts only after a pause defined by DELAY of the ADCCNT3 Register. The hardware does not clear START of the ADCCNT2 Register.</p> <p>When a conversion is completed:</p> <ul style="list-style-type: none"> • The consecutive results are placed in the four data registers cyclically, starting from ADDATA0. • The last conversion result is pointed to by BUFPTR of the ADCST Register. • When all the four data registers are loaded, EOC of the ADCST Register is set. • If interrupts are enabled (INTE of the ADCCNT1 Register is set), an interrupt is issued to the ICU. <p>Repetitive conversions are started until START of the ADCCNT2 Register is cleared by the software. When this occurs:</p> <ul style="list-style-type: none"> • Any currently executing conversion is completed. • EOC of the ADCST Register is set. • No new conversion is started. • The last conversion result is pointed to by BUFPTR of the ADCST Register.
Four Channel Scan, Single Conversion	1	0	<p>A conversion is performed for four channels, starting with the channel defined in CHANNEL of the ADCCNT2 Register. After completion of each conversion, the selector of the input multiplexer is incremented. Conversion for the next channel is started after the sampling time delay, defined by DELAY of the ADCCNT3 Register. The conversion stops after all four channels are converted.</p> <p>The following procedure is implemented:</p> <ul style="list-style-type: none"> • The results are placed in the ADDATA0-3 Registers for channels 1-4, respectively. • When all four channels have been converted, START of the ADCCNT2 Register is cleared by hardware, and EOC of the ADCST Register is set. • If INTE of the ADCCNT1 Register is set, an interrupt is issued.
Four Channel Scan, Continuous Conversion	1	1	<p>Conversion of the selected four channels is continuously repeated. Each conversion cycle is performed as in "Four Channel Scan, Single Conversion" mode, but the hardware does not clear START of the ADCCNT2 Register.</p> <p>When a conversion cycle is completed and if START is still set, a new four channel conversion cycle is started. When the conversion of all four channels is completed:</p> <ul style="list-style-type: none"> • START is not cleared. • EOC is set. • The interrupt signal is asserted if INTE=1. <p>Repetitive conversion cycles are started until the START bit is cleared by software. When this occurs:</p> <ul style="list-style-type: none"> • The currently executing conversion cycle of a 4-channel burst is completed. • EOC of the ADCST Register is set. • No new conversion is started. • The last conversion result is pointed to by BUFPTR of the ADCST Register.

16.4 ADC REGISTERS

The ADC interfaces with the CR16A core, as shown in the "Block Diagram" on page 1. The interface is implemented by a set of four status and control registers, and four data registers. These registers are mapped in the address space of the CR16A. For details on the address location of these registers, refer to Appendix A on page 156.

16.4.1 ADC Status Register (ADCST)

This is a byte-wide, read/write register that reports the ADC status. Upon reset, the non-reserved bits are cleared

7	6	5	4	3	2	1	0
Res		BUFPTR		Res	OVF	BUSY	EOC

Bit 0 - End of Conversion (EOC)

This bit reports the ADC conversion status. This bit is read only and data written to it is ignored. It is written by the hardware as follows:

- 0: Conversion is not complete. It is also cleared when any of the data registers is read.
- 1: Conversion is complete. Indicates that the data was placed in the buffer.

Bit 1 - BUSY

This flag indicates that the ADC is busy converting data. It is a read only bit and any data written to it is ignored. It is written by the hardware as follows:

- 0: ADC is not busy and a new conversion can be started. This bit is cleared whenever:
 - ADC is disabled, (ADCEN of the ADCCNT1 Register is cleared)
 - ADC is idle, (i.e., ADC is enabled, ADCEN=1, and not converting).
- 1: ADC is busy converting. START should not be set before completion of the current conversion.

Bit 2 - Overflow (OVF)

- 0: This bit remains set until the software writes 1 to it. Writing 0 has no effect on this bit.
- 1: The ADC finished conversion and attempted to store the result in a data register (ADDA0-3), but it was full. A data register is full if it was written by the ADC and was not read by the CR16A core. In this case, the ADC overrides the data in the ADDATAn Register, sets OVF and continues operation.

Bits 5-4 - Buffer Pointer (BUFPTR)

BUFPTR holds the number of the last written data register (ADDA0-3). BUFPTR is set to 11 when START of the ADCCNT2 Register is changed from 0 to 1. It is a read only field; data written to it is ignored.

BUFPTR	Last Written Data Register
00	ADDA0
01	ADDA1
10	ADDA2
11	ADDA3

16.4.2 ADC Control Register 1 (ADCCNT1)

This is a byte-wide, read/write register that enables the ADC and the internal reference. In addition, it configures the interface scheme. Changing bits 1 through 7 of ADCCNT1 while the module is active is not allowed. The ADC is active while START of the ADCCNT2 Register or BUSY of the ADCST Register are set. Upon reset, the non-reserved bits of ADCCNT1 are cleared.

7	6	5	4	3	2	1	0
Reserved					INTE	INTREF	ADCEN

Bit 0 - ADC Enable (ADCEN)

- 0: When the software clears this bit, the ADC is disabled and the current conversion operation is terminated. The status flags EOC, BUSY and OVF in the ADCST Register and START of the ADCCNT2 Register are cleared. However, it is recommended to disable the ADC only when it is in Idle mode (not converting, START and BUSY are both 0). See Figure 16-3.
- 1: When the software sets this bit, the ADC is enabled. Conversion can be started as described in Section 16.2.6.

Bit 1 - Internal V_{REF} (INTREF)

This read/write bit selects the source of the reference voltage. See also Figure 16-1 and Section 16.2.2.

Note: INTREF can be changed independently of ADCEN. However, the internal reference block is turned on only when the ADC is enabled (ADCEN is set to 1). Since an external capacitor is present on the V_{REF} pin, there is a delay of approximately 50 μs until the voltage on the pin stabilizes after INTREF is set. See Section 16.2.5 on page 120.

- 0: An external reference voltage should be connected to V_{REF} pin, as a reference voltage for the ADC operation. In this case, the internal reference voltage source is disabled and does not drain power.
- 1: Enables the on-chip reference voltage source and connects it to the DAC input.

Bit 2 - Interrupt Enable (INTE)

This bit controls interrupt generation to the CR16A core. See also Chapter 9 on page 81.

- 0: When cleared, the interrupt is disabled and the interrupt signal is always low.
- 1: When set, the interrupt is enabled. When EOC is set by the hardware (i.e., end of conversion or buffer full), a level high interrupt is sent to the ICU.

16.4.3 ADC Control Register 2 (ADCCNT2)

The ADCCNT2 Register is a byte-wide, read/write register that configures the A/D converter into a specific mode of operation. CHANNEL, CONT and SCAN should be changed only while START=0. Upon reset, all bits of ADCCNT2 are cleared (0).

7	6	5	4	3	2	1	0
START	Res	SCAN	CONT	Res	CHANNEL		

Bits 2-0 - Analog Input Channel Select (CHANNEL)

These bits control the input multiplexer and select the channel to be connected to the Sample and Hold block (see Figure 16-1). When using a scan mode, it specifies the first channel to be converted. The software should configure this field before setting START.

Table 16-4. Analog Input Channel Selection

CHANNEL Bits			Selected Channel
2	1	0	
0	0	0	0
0	0	1	1
0	1	0	2
0	1	1	3
1	0	0	4
1	0	1	5
1	1	0	6
1	1	1	7

Bit 3- Reserved

This bit is 0 after reset. Always write zero to this bit.

Bit 4 - Continuous Conversion (CONT)

When set, a new conversion starts after completion of the current conversion cycle (or conversion burst). The software should configure this field before setting START.

- 0: Single conversion, or one burst of four conversions
- 1: Continuous conversion

Bits 5 - SCAN

This bit defines whether a single channel or a burst of four channels is scanned. The software should configure this field before setting START.

- 0: One channel
- 1: Four channel scan

Bit 6 - Reserved

This bit is 0 after reset. Always write zero to this bit.

Bit 7 - START

This bit can be set by the software to initiate a conversion cycle. The conversion mode is defined by bits 4 and 5 of this register. The software should not set this bit while BUSY of the ADCST Register is set.

- 0: When cleared, the current conversion process is completed and no subsequent conversion begins until this bit is set again.
 - In single conversion modes (one or four channels, see bits 4 and 5 of this register), START is automatically cleared by the hardware upon completion of the conversion(s).
 - In continuous conversion modes, the hardware does not clear this bit.
- 1: When set by the software, the conversion process begins.

16.4.4 ADC Control Register 3 (ADCCNT3)

The ADCCNT3 Register is a byte-wide, read/write register. ADCCNT3 should be written only when the ADC is disabled (ADCCEN of the ADCCNT1 Register is 0). Upon reset, non-reserved bits of ADCCNT3 are cleared (0).

7	6	5	4	3	2	1	0
Reserved		DELAY			CDIV		

Bits 2-0 - ADC Clock Divide (CDIV)

CDIV defines the ratio between the system clock frequency and the ADC clock frequency. The CDIV should be programmed to guarantee that the ADC conversion clock is up to 1 MHz. See Figure 16-1 and Chapter 7 on page 76.

Table 16-5. CDIV Ratios

CDIV Bits			System Clock to Conversion Clock Frequency Ratio
2	1	0	
0	0	0	1
0	0	1	2
0	1	0	4
0	1	1	8
1	0	0	16
1	0	1	32
Other			Reserved

Bits 5-3 - DELAY

This field allows the user to adjust the sampling time according to the external circuits connected to the analog inputs and the ADC clock frequency.

It defines the delay from setting START or the completion of previous conversion (in continuous or burst modes), to the beginning of a new conversion.

The sampling time is defined in terms of ADC clock cycles. It should be used to guarantee the settling time of the internal sampling circuit. See Section 16.5.5 for further details.

Table 16-6. Sampling Time

DELAY Bits			Sampling Time (Conversion Clock Cycles)
5	4	3	
0	0	0	1
0	0	1	2
0	1	0	4
0	1	1	8
1	0	0	16
1	0	1	32
1	1	0	64
1	1	1	Reserved

16.4.5 ADC Data Registers

The ADC stores the conversion results in four byte-wide, read only registers, ADDATA0 - ADDATA3. If there is more than one result, the results are stored in ADDATA0, ADDATA1, ADDATA2 and ADDATA3 (in this order).

Data is valid only after the EOC flag of ADCST is set. Upon cold reset (power-up), the contents of these registers is undefined. Upon warm reset (using HMR pin), the content of these registers is not modified. The registers should be initialized to 00h before enabling them.

7	6	5	4	3	2	1	0	
MSB							RESULT 0 DATA	LSB

7	6	5	4	3	2	1	0	
MSB							RESULT 1 DATA	LSB

7	6	5	4	3	2	1	0	
MSB							RESULT 2 DATA	LSB

7	6	5	4	3	2	1	0	
MSB							RESULT 3 DATA	LSB

16.5 USAGE HINTS

16.5.1 Power Supply and Layout Guidelines

The ADC and the other analog modules are supplied through two dedicated analog power pins: AV_{CC} and AGND. This assures effective isolation of the analog modules from noise caused by the digital modules. To obtain the best performance, bear in mind the following recommendations (see also details in Figure 16-4):

Ground Connection. The analog ground pin, AGND, should be connected at only one point to the digital ground pins. At this point, also connect the decoupling capacitor of the analog supply AV_{CC} pin, decoupling capacitor of the reference voltage V_{REF} pin, and the four decoupling capacitors of the digital supply V_{CC} pins. The ground reference of the input signals to the ADC should be the same common point. Low impedance ground layers will also improve noise isolation.

Power Connection. The analog supply pin, AV_{CC}, should be connected to a low noise power supply with the same voltage as the digital supply, either 3.3V or 5.0V. Both the digital and analog power supplies must be supplied simultaneously. To assure this, it is recommended to supply the AV_{CC} pin from the digital V_{CC} of the chip, using an external LC or RC filter. An example of an LC filter [L₁ and (C₂+C₃)] is shown in Figure 16-4.

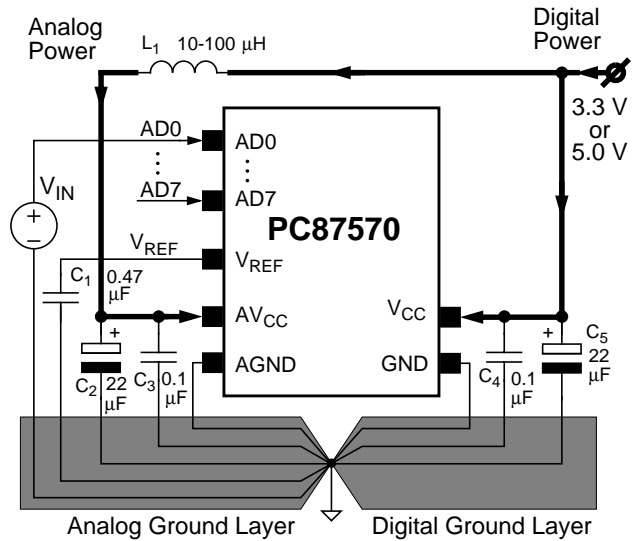


Figure 16-4. ADC Analog Power Supply Connection

Decoupling Capacitors. The following decoupling capacitors should be used:

- Digital V_{CC}: Place one capacitor of 0.1 μF on *each* V_{CC} pin, as close as possible to the pin, (4 x C₄). Also place one 10-47 μF tantalum capacitor (C₅) on the common net, as close as possible to the chip.
- Analog AV_{CC}: Place a 0.1 μF capacitor and a 10-47 μF tantalum capacitor on the AV_{CC} pin (C₃ and C₂) as close as possible to the pin.
- V_{REF}: Place a low leakage, non-polarized, 0.47 μF capacitor (C₁) as close as possible to the V_{REF} pin.

Back-Drive Protection. To maintain the high performance of the analog circuits, the PD0-7/AD0-7 and V_{REF} pins are not back-drive protected. Therefore, the voltage on these pins must be within the actual range of AGND and AV_{CC}. If it is higher, the chip may be damaged.

External circuits should not drive currents into these pins when the PC87570 is not powered up. This may cause the internal power-up reset circuit to fail.

16.5.2 Power Consumption

ADC power consumption from AV_{CC} is practically zero if the ADC is disabled by clearing the ADCEN bit of the ADCCNT1 Register. The internal reference is automatically disabled when ADCEN=0. See Section 16.2.7 on page 121.

When the ADC is enabled, the current consumption depends on the operation mode and the frequency at which it works. Typical current consumption of the ADC while it is enabled, but not converting, is 1 mA at AV_{CC}=5V. While converting in continuous mode, the current consumption is variable, although typically lower than 2 mA. Typical current consumption of the internal reference, when enabled, is 0.2 mA.

To minimize current consumption, disable the ADC when not in use. See details in Section 16.2.7.

16.5.3 Filtering the Noise on Input Signals

Input signals may be accompanied by unwanted noises caused by the digital circuits they pass nearby. Optionally, when converting slow changing signals in a noisy environment, a low pass filter (LPF) may be added externally. This can be implemented simply by placing a low value capacitor, C_1 , on the divider output shown in Figure 16-2. The cut-off frequency of this LPF should be above the measured signal frequency.

16.5.4 AD0-7 Multiplexing with PD0-7 Port

Analog input signals AD0-7 are multiplexed with digital input signals PD0-7. These pins do not have internal pull-up resistors and back-drive protection (see Section 16.5.1 on page 125 for further details).

Each pin function is selected by dedicated bits in the PDALT Register (see Table 2-4 on page 26). If the voltage value on the pins is between zero and the actual V_{CC}/AV_{CC} , the current consumption is kept to a minimum, as follows:

- Pins used as digital inputs (PD0-7, PDALT=00h):
If the CR16A core is not reading from the PDDIN Register or the chip is in Idle mode, the input buffers of port D are blocked.
- Pins used as analog inputs, (AD0-7, PDALT=FFh):
If the chip is either in Active or Idle mode, the input impedance of the pins is as defined in Table 19-5 on page 134.

For ESD protection reasons, it is not recommended to leave these pins open. See Table 19-3 on page 133 for their characteristics.

16.5.5 Calculating the Sampling Time

The sampling time is the period between input selection in the multiplexer and the conversion start (i.e., hold point). Figure 16-5 shows the schematic of the input and its equivalent R-C circuit. The sampling time should be long enough to guarantee the settling of the voltage on the sampling capacitor, C_S . The voltage on C_S should be stable before it is held for the duration of the conversion. The R_{AIN} and C_{AIN} (see Section 19.3.1 on page 134) values represent the input path serial resistance and parallel capacitance. R_{AIN} is the serial resistance of the multiplexer, Sample and Hold switch and other parasitic resistors. C_{AIN} is the parallel capacitance of the input pin, pad, lead-frame, C_S , etc. The required sampling time is determined by R_{AIN} and C_{AIN} together with the input source resistance R_{SOURCE} and parasitic capacitance C_P . Table 16-7 can be used as a reference for calculating the sample time. The DELAY bit of the ADCCNT3 Register should be programmed accordingly.

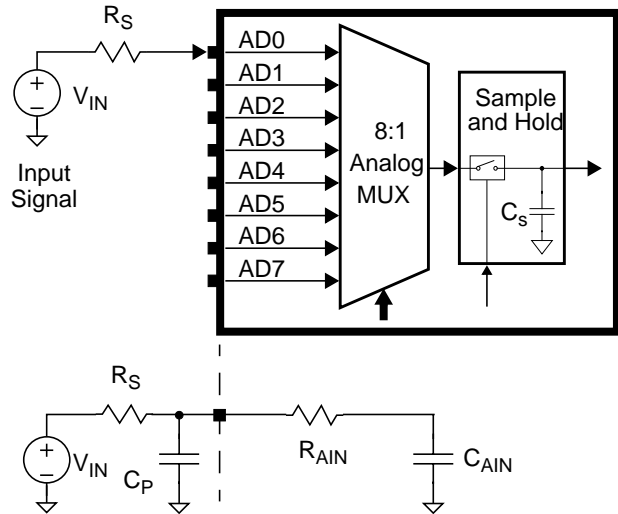


Figure 16-5. Analog Input Schematic Diagram and Equivalent R-C Circuit

Table 16-7. Recommended Sampling Time

External Elements		Sampling Time [ns]	Number of ADC Clock Cycles (min) as function of ADC Clock (DELAY of ADCCNT3)		
C_P [pF]	R_S [K Ω]		1 MHz (1000 ns)	500 KHz (500 ns)	250 KHz (250 ns)
5	0.1	15	1	1	1
	1	110	1	1	1
	10	900	1	2	4
	30	3200	4	8	16
27.5	0.1	25	1	1	1
	1	210	1	1	1
	10	2220	4	8	16
	30	7900	8	16	32
50	0.1	45	1	1	1
	1	430	1	1	2
	10	3350	4	8	16
	30	11400	16	32	64

17.0 Digital to Analog Converter (DAC)

The DAC receives digital data and delivers analog signals on four output pins. It includes four independent digital to analog converters. Each of them has 8-bit resolution and a full output range from AGND to AV_{CC} . The DAC has a typical output impedance of 3 K Ω , which allows a settling time of about 1 μ s on a 50 pF load.

17.1 FEATURES

- 8-bit resolution
- 4-channel D/A converter
- Fast settling time, 1 μ s typical, on 50 pF capacitive load
- Output swing from AGND to AV_{CC}
- Independent enable/disable for each channel
- Zero power when disabled, low power when enabled
- Outputs drive zero when disabled

17.2 FUNCTIONAL DESCRIPTION

The DAC comprises four independent digital to analog converters. The converters drive the four output pins DA0-3, as shown in Figure 17-1.

After reset (on power-up or when a positive pulse is applied on the HMR pin), all four channels are disabled and the voltage on the DA0-3 outputs is 0 V.

When a DAC channel is enabled, its output is defined by the value written to its DACDAT Register. DACDAT0 through DACDAT3 control DA0 through DA3, respectively. The maximum output voltage is $(255/256) \cdot AV_{CC}$ and is obtained for a value of FFh. The minimum output, AGND, is obtained for a value of 00h.

The reference voltage of the converters is the AV_{CC} analog power supply voltage. This allows full swing of the outputs from zero to nearly AV_{CC} .

The Control Register is used to enable/disable each of the four channels. The DAC can be disabled by software before entering Idle mode.

17.2.1 DAC Reset

The DACCTRL Register is reset to its default value, in the following two ways:

Cold Reset. Upon power-up, an internal power-up detect circuit generates a reset cycle. See Section 2.3 on page 26.

Warm Reset. When the chip is powered up and a positive pulse is applied on the HMR pin, a reset cycle is generated. See HMR pin functionality in Table 2-2 on page 21.

17.2.2 Reference Voltage

The analog output voltages are converted relative to a reference voltage. See details in Figure 17-1 and Table 19-7 on page 135. The internally connected reference voltage of the DAC is the analog power supply. To assure good signal quality on the DAC outputs, a low noise analog power supply should be used.

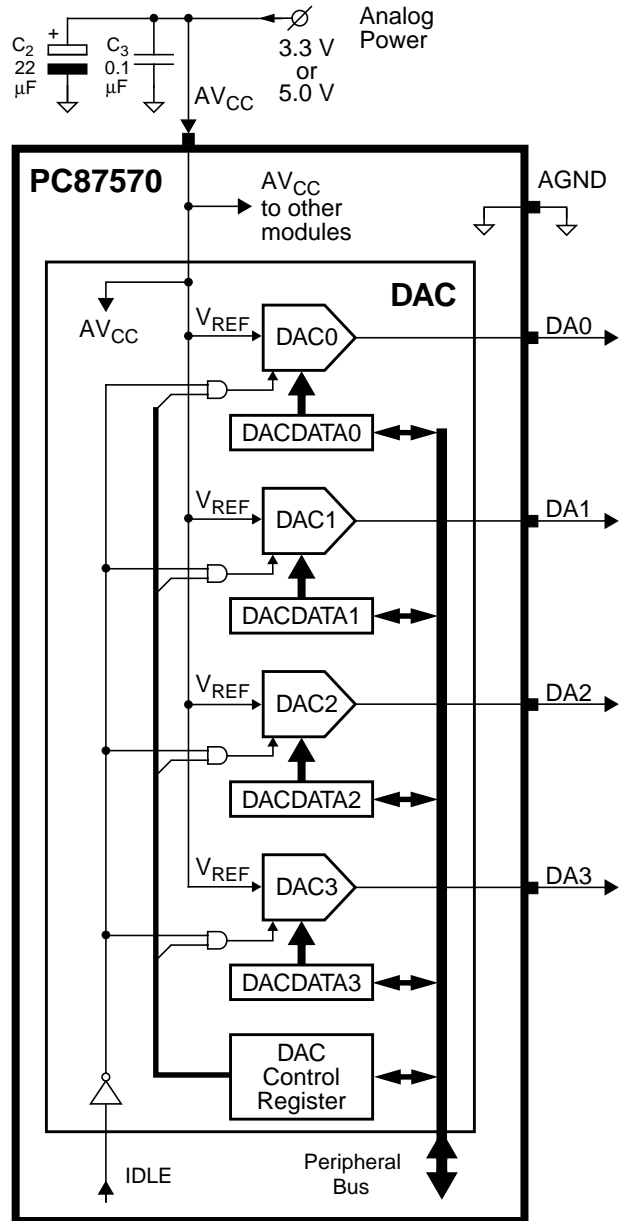


Figure 17-1. DAC Functional Diagram

17.2.3 Output Signal Range

The DAC performs a linear conversion of the input digital value written into the DACDATA0-3 Registers to an unsigned analog output signal. The output signal should be taken relative to the analog ground pin (AGND), and can range from a minimum of AGND to almost AV_{CC} . See Table 19-6 on page 134.

A 00h written to the DACDAT0-3 Registers results in an output signal of zero (ground) for the respective output. An FFh written to the DACDAT0-3 Registers results in an output signal of $(255/256) \cdot AV_{CC}$ for the respective output.

17.2.4 Initializing and Enabling the DAC

The PC87570 wakes up after power-up with the DAC disabled (DACEN0-3 bits of the DACCTRL Register are cleared). In this state, all DAC activities are halted, and its power consumption is reduced to zero.

Initializing the DAC. The DACDAT0-3 Registers must be initialized to 00h before setting the DACEN0-3 bits of the DACCTRL Register.

Enabling the DAC. The software must initialize the DACDAT0-3 Registers to 00h before enabling any of the DAC channels. Each channel of the DAC is enabled independently by setting its DACEN bit. After enabling the DAC, the only delay required is for settling the outputs.

17.2.5 Disabling the DAC

The DAC may be disabled in order to reduce the current consumption from the AV_{CC} to less than 0.1 μA (typical).

The DAC is automatically disabled when entering Idle mode, regardless of the state of DACEN bits in the DACCTRL Register. In this case, the DA0-3 outputs automatically drive 0 V.

To disable the DAC without entering Idle mode, the DACEN0-3 bits must be cleared. In this case, the output pins are 0 V even if the respective DACDAT Register is not 00h.

17.2.6 Conversion Start

When the DAC is enabled, a conversion is started when writing to the DACDATA Registers. The output settling time is defined in Section 17.4.2.

17.3 DAC REGISTERS

The DAC interfaces through the peripheral bus with the CR16A core, as shown in the block diagram on page 1. The interface is implemented by a set of one control register and four data registers. These registers are mapped in the address space of the CR16A. For details on the address location of these registers, refer to Appendix A on page 156.

17.3.1 DAC Control Register (DACCTRL)

The DACCTRL Register is a byte-wide, read/write register that controls the configuration of the four D/A channels in the module. After reset, the non-reserved bits in this register are cleared (0).

7	6	5	4	3	2	1	0
Res				DACEN3	DACEN2	DACEN1	DACEN0

Bits 3-0 - DAC Enable (DACEN3-0)

When set, the respective DAC channel is enabled and the respective DA output pin drives a voltage level, according to the value written into the corresponding DACDAT Register.

When cleared, the respective channel is disabled and its DA output pin drives 0 V.

17.3.2 DAC Data Registers

Each of the four DAC channels has its own data register that controls the analog voltage on the DA3-0 pins. DACDAT0 through DACDAT3 control DA0 through DA3, re-

spectively. These read/write registers store the output data in a byte-wide format, and should be initialized to 00h before enabling the ADC.

7	6	5	4	3	2	1	0	
MSB				DAC DATA 0				LSB

7	6	5	4	3	2	1	0	
MSB				DAC DATA 1				LSB

7	6	5	4	3	2	1	0	
MSB				DAC DATA 2				LSB

7	6	5	4	3	2	1	0	
MSB				DAC DATA 3				LSB

17.4 USAGE HINTS

17.4.1 Power Supply and Layout Guidelines

The DAC and the other analog modules are supplied through two, dedicated analog power pins, AV_{CC} and AGND. This assures effective isolation of the analog modules from noise caused by the digital modules. For the best performance, bear in mind the hints in this section (see also details in Figure 17-2):

Ground Connection. The analog ground pin, AGND, must be connected at only one point to the digital ground pins. At this point, also connect the decoupling capacitor of the analog supply AV_{CC} pin, and the four decoupling capacitors of the digital supply V_{CC} pins. The ground reference of the output signals of the DAC should be taken from the same point. Low impedance ground layers will also improve noise isolation.

Power Connection. The analog supply pin, AV_{CC}, must be connected to a low noise power supply with the same voltage as the digital supply, either 3.3V or 5.0V. Both the digital and analog power supplies of the PC87570 must be supplied simultaneously. To assure this, supply the AV_{CC} pin from the digital V_{CC} of the chip, using an external LC or RC filter. An example of LC filter [L₁ and (C₂+C₃)] is shown in Figure 17-2.

Decoupling Capacitors. The following decoupling capacitors must be used:

- Digital V_{CC}: Place one capacitor of 0.1 μF on each V_{CC} pin, as close as possible to the pin, (4 x C₄). Also place one 10-47 μF tantalum capacitor (C₅) on the common net, as close as possible to the chip.
- Analog AV_{CC}: Place a 0.1 μF capacitor and a 10-47 μF tantalum capacitor on the AV_{CC} pin (C₃ and C₂), as close as possible to the pin.

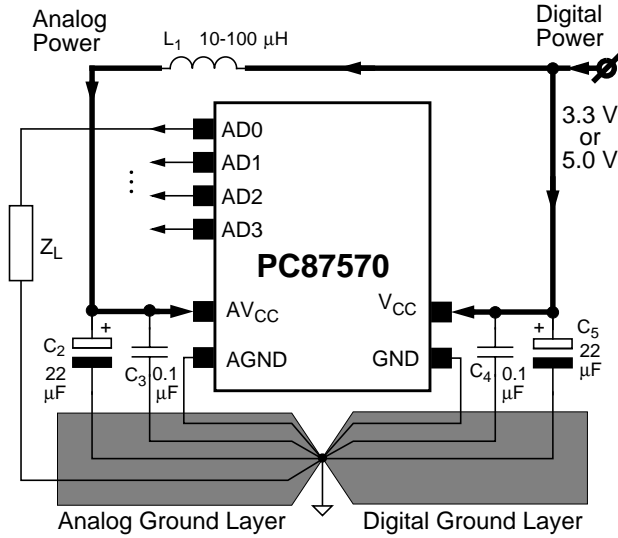


Figure 17-2. DAC Analog Power Supply Connection

Back-Drive Protection. To maintain the high performance of the analog circuits, the DA0-3 pins are not back-drive protected. Therefore, the voltage on these pins must be within the actual range of AGND and AV_{CC}. If it is higher, the chip may be damaged.

External circuits should not drive currents into these pins when the PC87570 is not powered up. This may cause the internal power-up reset circuit to fail.

17.4.2 Output Settling Time

The DAC output settling time depends on the external load characteristics and the required accuracy. Figure 17-3 shows the equivalent circuit used for evaluating DAC behavior. Each DAC output has a typical output impedance of 3 KΩ. For example, if the total load is a 50 pF capacitor only, the output settles to 1/2 LSB within 1 μs. The total load capacitance is comprised of the analog output capacitance (C_{AO}) and the external load capacitance (C_L).

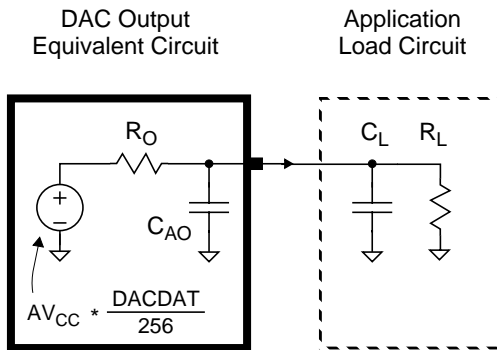


Figure 17-3. DAC Output Equivalent Circuit

17.4.3 Output Voltage Accuracy

The external load on the DA3-0 pins may affect the final output voltage of the DAC. Since the output resistance of these pins is typically 3 KΩ, use external high impedance analog drivers if higher accuracy or output currents are required. See Table 19-6 on page 134.

For the worst case calculation, if the output resistance is 4 KΩ (maximum limit), the external load must not be lower than 2 MΩ. In this case, the error caused by the load is lower than 1/2 LSB and there is no need for an external analog driver.

To work with loads of 5 KΩ (1 mA at 5 V) with an error lower than 1/2 LSB, the output resistance of the external driver should be lower than:

$$5 \text{ K}\Omega / (2 \cdot 256) = 9.8 \Omega$$

17.4.4 Filtering Noise on Output Signals

Output signals may present unwanted noise caused by the digital circuits they pass nearby. Optionally, when using slow changing signals in a noisy environment, a low pass filter (LPF) may be added externally. This may also be required in applications where the DAC outputs control sensitive circuits like audio amplifiers. This can be implemented as a simple RC circuit. The cutoff frequency of this LPF should be above the required signal frequency.

17.4.5 Current Consumption

When a channel is enabled, the current consumption depends on the value set in the DACDAT Register. Minimal current is consumed when the data is 00h. Maximum current is consumed when the data is 55h. In this case, and when all four channels are enabled with no external load on the DA0-3 pins, at AV_{CC}=5.0V, the current consumption of the DAC is typically 5.6 mA (1.4 mA/channel).

The current consumption of any of the DAC channels is practically zero and its output drives 0 V if one or more of the following conditions are true:

- The chip is in Idle mode (see Chapter 8 on page 79).
- The channel is disabled by clearing its corresponding DACEN bit of the DACCTRL Register.
- The value written into its DACDATA Register is 00h.

See Section 17.2.5 for details on disabling the DAC.

17.4.6 Entering Idle Mode

When the chip enters Idle mode, the hardware automatically disables all four DAC channels and resets the outputs to drive 0 V, without modifying the DACCTRL or DACDAT Registers.

When the DAC is disabled, its current consumption from AV_{CC} is lower than 0.1 μA. More details on how to set PC87570 to Idle mode are described in Section 8.3.1 on page 79.

18.0 Development System Support

In Dev environment, the PC87570 provides the following support:

- $\overline{\text{ISE}}$ interrupt input signal
- ISE clipping support via a TRI-STATE pin (TRIS)
- Ability to prevent real-time events from interfering with the operation of the on-board target monitor (TMON) of the application development board (ADB)
- Internal information that can be used to implement debug features, e.g., hardware breakpoints.

18.1 ISE INTERRUPT

The $\overline{\text{ISE}}$ interrupt is an edge-triggered non-maskable interrupt that is triggered on the falling edge of the $\overline{\text{ISE}}$ signal. It is reserved for the development tools and should not be used as part of the application.

The $\overline{\text{ISE}}$ interrupt is enabled in the Development environment when DBGCFG.ON bit is set. Otherwise, it is ignored.

18.2 TRIS STRAP INPUT PIN

The TRIS strap input pin is used by ISEs to allow clipping on a PC87570 while mounted in the system.

The TRIS input is a strap pin sampled at power-up reset. When TRIS is low (0), the PC87570 acts normally. When TRIS is high (1), all the PC87570 outputs are put to TRISTATE.

Setting TRIS to the required value is described in Section 2.4 on page 26

18.3 FREEZING EVENTS

The PC87570 prevents real-time events from interfering with the operation of the ADB's TMON and changing the status of the PC87570, by disabling maskable interrupts, freezing the WATCHDOG counter and disabling destructive read operations.

18.3.1 Disabling Maskable Interrupts

Clearing the core's PSR.I bit or PSR.E bits disable the maskable interrupts. The PSR.I bit is cleared automatically whenever a trap or interrupt occurs and after reset.

18.3.2 Freezing the WATCHDOG Counter

To freeze the WATCHDOG counter, set DBGCFG.FREEZE to 1 on entering an ADB TMON routine. Then clear it to 0, before returning to the application. This prevents the WATCHDOG generating the reset that occurs if it is not cleared in time (See Section 15.3 on page 117.) The WATCHDOG counter keeps its value while it is frozen, and resumes counting after DBGCFG.FREEZE is cleared to 0.

If an application fails to refresh the WATCHDOG in time, and a reset interrupt is generated before or while the FREEZE bit is set, the PC87570 executes WATCHDOG reset.

18.3.3 Disabling Additional Modules

The MFT16 and ACB modules may be frozen by the FREEZE bit. This freeze is enabled only when the respective bit in the DBGFRZEN Register is set, to meet specific usage of the module by different applications.

18.3.4 Disabling Destructive Reads

When the DBGCFG.FREEZE is set (1), destructive reads do not change the system's state (i.e., they only return the read data but do not clear or set bits or send signals). This allows the ISE system to present the values of these bits. NMISTAT is an exception to this rule, and is not affected by FREEZE. CR16A accesses to RTC registers may also be destructive, but are not affected by the FREEZE. Note that host operations continue without any FREEZE bit impact.

18.4 MONITORING ACTIVITY DURING DEVELOPMENT

In Dev environment, information is available for monitoring on-chip activities and implementing debug features in the development system.

18.4.1 The Bus Status Signals

The Bus Status BST(0-2) signals indicate if a transaction on the core bus was issued and if so, the type of transaction.

The BST(0-2) signals reflect activity on the core bus. For word accesses involving 8-bit Expansion Memory, the core bus cycle triggers two external bus cycles. The first external bus cycle is flagged as a T1 cycle of the core bus. The second is not flagged as a T1 cycle of the core bus, i.e., BST(0-2) is 000. See Table 18-1.

Table 18-1. Core Bus Transaction Encoding

BST	Core Bus Transaction Type
000	Not a T1 cycle, except for when CR16A waits for an interrupt following WAIT instruction execution
001	CR16A waits for an interrupt following WAIT instruction execution
010	T1 of an interrupt acknowledge bus cycle
011	T1 of a data transfer of a non-core
100	T1 of a sequential instruction fetch
101	T1 of a non-sequential instruction fetch
110	T1 of a CR16A data transfer
111	T1 of an exception data transfer

18.4.2 Transaction Effects on the External Bus

The following core bus transactions are reflected on the external bus:

- Accesses to external zones of External Memory, off-chip Base Memory, and accesses that use the I/O Expansion protocol are indicated by the active state of the SEL0, SEL1 and SELIO signals, respectively, and are described by the address and data buses.
- Accesses to on-chip memories and peripheral modules are observed using the "Core Bus Monitoring Bus Cycles" (see the BIU, Section 3.4 on page 44). They are indicated by an inactive state for the SEL0, SEL1, and/or SELIO signals. They are described by addresses A(0-12), the byte enable BE(0-1) signals, the CBRD signal and the BST(0-2) signals.
- BE0 is high when a lower memory byte (a byte in an even address) is accessed. BE1 is high when a higher memory byte (a byte in an odd address) is accessed.
- CBRD is high when the transaction is a read operation or low when it is a write.

18.4.3 Pipe Status Signals

The Pipe Flow Signal (PFS) indicates the completion of an instruction in the CR16A. The Pipe Long Instruction (PLI) signal indicates the size of the completed instruction, where 0 = word instruction and 1 = double-word instruction. If an instruction flushes the pipeline, the fetch for the next instruction (BST=101) is issued during the cycle following the instruction's PFS, or later. See Figure 18-1.

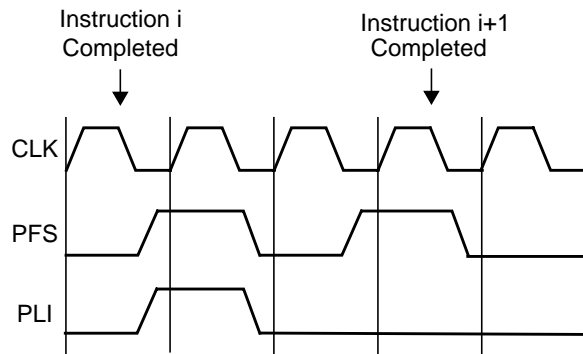


Figure 18-1. Pipe Status Signal (PFS and PLI)

18.5 DEVELOPMENT SYSTEM REGISTERS

18.5.1 Debug Configuration Register (DBGCFG)

The DBGCFG Register is a byte-wide, read/write register that controls the configuration of debug support features. Upon reset, DBGCFG is cleared (0).

The DBGCFG Register controls the debug features. Only the development tools may access DBGCFG. This enables application software to be binary compatible in all environments.

7	2	1	0
Reserved		FREEZE	ON

Bit 0 - ON

- 0: In IRE and IRD environments, always cleared to 0; any data written to it is ignored.
- 1: In Dev environment, enables the following debug support features:
 - ISE interrupt input signal
 - Use of other bits in the DBGCFG.

Bit 1 - FREEZE

- 0: No effect
- 1: When ON is 1, stops the WATCHDOG timer from counting. All destructive reads (i.e., bits set or cleared by read operations and other events triggered by reads), become indifferent to reads. An exception is the NMISTAT Register, which is not affected by reads. Additional modules may be frozen as defined by DBGFRZEN Register. FREEZE has no effect when ON is 0.

18.5.2 Debug Freeze Enable Register (DBGFRZEN)

The DBGFRZEN Register is a byte-wide, read/write register that enables the freeze operation on some modules during debug. Each bit when set, enable the freeze of activities in the respective module when the DBGCFG.FREEZE bit is set (if DBGCFG.ON=1). Upon reset, DBGFRZEN is cleared (0).

7	2	1	0
Reserved		ACBFEN	MFT16FEN

Bit 0 - MFT16 Freeze Enable (MFT16FEN)

- 0: FREEZE in the DBGCFG Register has no effect on the MFT16
- 1: Freezes the MFT16 when FREEZE is set

Bit 1 - ACB Freeze Enable (ACBFEN)

- 0: FREEZE in the DBGCFG Register has no effect on the ACB interface
- 1: Freezes the ACB interface when FREEZE is set

19.0 Device Specifications

This chapter provides power and grounding guidelines, specifies the maximum ratings and the electrical characteristics of the PC87570, and describes its timing.

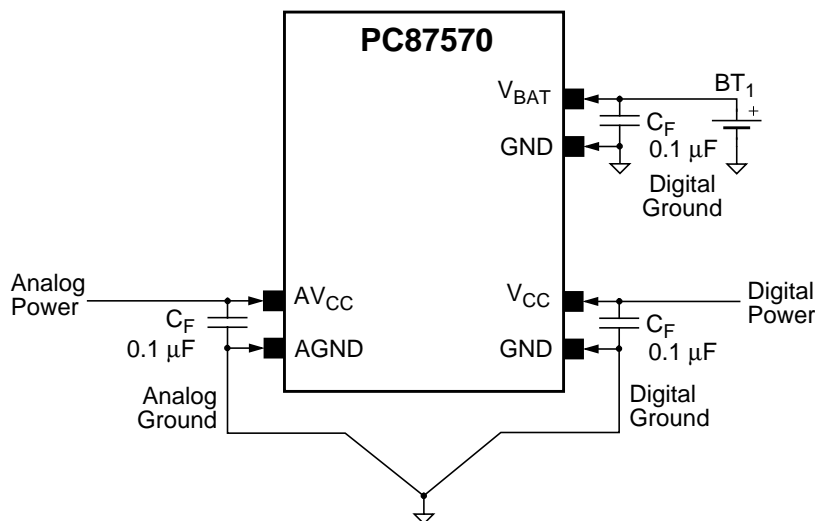
19.1 POWER AND GROUNDING

The PC87570 requires either a 5V +/- 10% or a 3.3V +/- 10% supply to all four V_{CC} pins. The digital ground pins of the PC87570 are marked GND. The RTC backup battery is connected between V_{BAT} and GND. The PC87570 includes an internal resistor between the battery input and the power

switch, for UL protection. The on-chip analog circuits have a separate supply pin (marked AV_{CC}) and ground pin (marked AGND).

Warning The AV_{CC} and AGND pins must have the same voltage as the V_{CC} and GND of the digital section, respectively. The chip should never be operated with only one of the power supplies connected, else irreversible damage may occur.

To reduce EMI and ground bounce, place a 0.1μF capacitor between each V_{CC} and GND pair as close as possible to the PC87570 pins.



1. Place a 0.1 μF capacitor on *each* V_{CC} power supply pin as close as possible to the pin, and also on V_{BAT}.
2. Place a 10-47 μF capacitor on the common digital power supply net, as close as possible to the device.

Figure 19-1. Power and Ground Connections

19.2 GENERAL DC ELECTRICAL CHARACTERISTICS

19.2.1 Recommended Operating Conditions

Table 19-1. Recommended Operating Conditions at 5 V ±10%

Parameter	Symbol	Min	Typical	Max	Unit
Supply Voltage	V _{CC}	4.5	5.0	5.5	V
Operating Temperature	T _A	0		+70	°C

Table 19-2. Recommended Operating Conditions at 3.3 V ±10%

Parameter	Symbol	Min	Typical	Max	Unit
Supply Voltage	V _{CC}	3.0	3.3	3.6	V
Operating Temperature	T _A	0		+70	°C

19.2.2 Absolute Maximum Ratings

Absolute maximum ratings are values beyond which damage to the device may occur. Continuous operation at these limits is not recommended.

Unless otherwise specified, all voltages are relative to ground.

Table 19-3. Absolute Maximum Ratings

Parameter	Symbol	Conditions	Min	Max	Unit
Supply Voltage	V_{CC}		-0.5	6.5	V
Input Voltage	V_I		-0.5	7.0	V
Output Voltage	V_O		-0.5	$V_{CC} + 0.5$	V
Storage Temperature	T_{STG}		-65	+165	°C
Power Dissipation	P_D			1	W
Lead Temperature Soldering (10 sec)	T_L			+260	°C
ESD Tolerance		$C_{ZAP} = 100 \text{ pF}$ $R_{ZAP} = 1.5 \text{ K}\Omega^1$	2000		V

1. Value based on test complying with RAI-5-048-RA human body model ESD testing.

19.2.3 Power Supply Current under Recommended Operating Conditions**Table 19-4. Supply Current**

Parameter	Symbol	Conditions ¹	$V_{CC} = 5 \text{ V} \pm 10\%$			$V_{CC} = 3.3 \text{ V} \pm 10\%$			Unit
			Min	Typ	Max	Min	Typ	Max	
Active Supply Current	I_{CC1}	$t_{CLK}=250 \text{ ns}$		30			20		mA
		$t_{CLK}=100 \text{ ns}$		45			30		mA
Active Executing WAIT Supply Current	I_{CC2}	$t_{CLK}=250 \text{ ns}$		10			6.6		mA
		$t_{CLK}=100 \text{ ns}$		15			10		mA
Idle Mode Supply Current	I_{CC3}	Idle Mode ²		15			10		μA
V_{BAT} Supply Current	I_{CC4}	Power Off Mode		1	1.5		1	1.5	μA

1. All parameters specified for $0^\circ \text{ C} \leq T_A \leq 70^\circ \text{ C}$; $V_{CC} = 3.3\text{V} \pm 10\%$, $V_{CC} = 5.0\text{V} \pm 10\%$ unless otherwise specified.

2. $V_{IL} = \text{GND}$, $V_{IH} = V_{CC}$

19.3 DC ELECTRICAL CHARACTERISTICS

19.3.1 Analog

Table 19-5. ADC Characteristics

Parameter	Symbol	Conditions ¹	Min	Typ	Max	Unit
Internal Reference Voltage	V_{REFI}		2.375	2.5	2.625	V
External Reference Voltage	V_{REFE}		2.375		AV_{CC}	V
V_{REF} Input DC resistance ²	I_{VREFE}		5		36	K Ω
Resolution	RES			8		Bit
Integral (non-linearity) Error ³	INL				± 0.5	LSB
Differential (non-linearity) Error ⁴	DNL				± 0.5	LSB
Offset Error	OE				± 1	LSB
Gain Error	GE				± 1	LSB
Input Voltage Range	V_{IN}		0		V_{REF}^5	V
Analog Input Leakage Current	I_{AL}				± 10	μA
Analog Input Resistance ⁶	R_{AIN}				200	Ω
Analog Input Capacitance	C_{AIN}				15	pF
ADC Activation Time ⁷	T_{ACT}				100	μs

1. All parameters specified for $0^{\circ} C \leq T_A \leq 70^{\circ} C$.

$AV_{CC} = 3.3V \pm 10\%$, $AV_{CC} = 5.0V \pm 10\%$ unless otherwise specified.

2. Valid only for external V_{REF} ; value changes during the conversion.

3. The maximum difference between the ideal straight line reference and the actual conversion curves.

4. The maximum difference between an ideal step size of 1 LSB and any actual step size.

5. Either V_{REFI} or V_{REFE} , as set by bit 1 of ADCCNT1 Register.

6. The resistance between the device input and the internal analog input capacitance.

7. Time from when ADCCNT1.ADCEN = 1 until valid conversions are possible.

Table 19-6. DAC Characteristics

Parameter	Symbol	Conditions ¹	Min	Typ	Max	Unit
Resolution	RES			8		Bit
Integral (non-linearity) Error ²	INL				± 0.5	LSB
Differential (non-linearity) Error ³	DNL				± 0.5	LSB
Offset Error	OE				± 1	LSB
Gain Error	GE				± 1	LSB
Output Voltage Range	V_{out}		0		AV_{CC}	V
Analog Output Resistance	R_S		2	3	4	K Ω
Analog Output Capacitance	C_{AO}			10	15	pF

1. All parameters specified for $0^{\circ} C \leq T_A \leq 70^{\circ} C$.

$AV_{CC} = 3.3V \pm 10\%$ or $AV_{CC} = 5.0V \pm 10\%$ unless otherwise specified.

2. The maximum difference between the ideal straight line reference and the actual conversion curves.

3. The maximum difference between an ideal step size of 1 LSB and any actual step size.

19.3.2 Digital

Table 19-7. Digital Electrical Characteristics

Parameter	Symbol	Conditions ¹	Min	Typ	Max	Unit
TTL Input, Logical 0 Voltage	V_{IL}		-0.5		0.8	V
TTL Input, Logical 1 Voltage	V_{IH}		2.0		V_{CC}	V
CMOSS Input with Hysteresis (Schmidt), Logical 0 Voltage	V_{CHI}				1.1	V
CMOSS Input with Hysteresis (Schmidt), Logical 1 Voltage	V_{CHh}		$0.75V_{CC}$			V
CMOSS Input with Hysteresis (Schmidt), Hysteresis Loop Width ²	V_{hys}		0.5			V
STRAP Input, Logical 0 Voltage	V_{STRI}				1.3	V
STRAP Input, Logical 1 Voltage	V_{STRh}		$0.75V_{CC}$			V
STRAP PD, Internal Pull-down Resistance	R_{pd}	$V_{CC}=5V$	40	50	120	$k\Omega$
		$V_{CC}=3.3V$	40	100	120	$k\Omega$
Input Load Current (all digital inputs)	I_L	$0V \leq V_{IN} \leq V_{CC}$	-1.0		1.0	μA
CM Output, Logical 0 Voltage	V_{OL}	$I_{OL} = 4 \text{ mA}, V_{CC}=5V$			0.4	V
		$I_{OL} = 2 \text{ mA}, V_{CC}=3.3V$			0.4	V
		$I_{OL} = 50 \mu A^b, V_{CC}=5V$			0.2	V
		$I_{OL} = 50 \mu A^b, V_{CC}=3.3V$			0.2	V
CM Output, Logical 1 Voltage	V_{OH}	$I_{OH} = -0.4 \text{ mA}, V_{CC}=5V$	$V_{CC} - 0.4$			V
		$I_{OH} = -0.2 \text{ mA}, V_{CC}=3.3V$	$V_{CC} - 0.4$			V
		$I_{OH} = -50 \mu A, V_{CC}=5V$	$V_{CC} - 0.2$			V
		$I_{OH} = -50 \mu A^b, V_{CC}=3.3V$	$V_{CC} - 0.2$			V
CMHD1 Output, Logical 0, Voltage	V_{OLhd1}	$I_{OL} = 16 \text{ mA}, V_{CC}=5V$			0.4	V
		$I_{OL} = 8 \text{ mA}, V_{CC}=3.3V$			0.4	V
		$I_{OL} = 50 \mu A^b, V_{CC}=5V$			0.2	V
		$I_{OL} = 50 \mu A^b, V_{CC}=3.3V$			0.2	V
CMHD1 Output, Logic 1, Voltage	V_{OHhd1}	$I_{OH} = -4.0 \text{ mA}, V_{CC}=5V$	$V_{CC} - 0.4$			V
		$I_{OH} = -2 \text{ mA}, V_{CC}=3.3V$	$V_{CC} - 0.4$			V
		$I_{OH} = -50 \mu A^b, V_{CC}=5V$	$V_{CC} - 0.2$			V
		$I_{OH} = -50 \mu A^b, V_{CC}=3.3V$	$V_{CC} - 0.2$			V
CMHD2 Output, Logical 0, Voltage	V_{OLhd2}	$I_{OL} = 24 \text{ mA}, V_{CC}=5V$			0.4	V
		$I_{OL} = 12 \text{ mA}, V_{CC}=3.3V$			0.4	V
		$I_{OL} = 50 \mu A^b, V_{CC}=5V$			0.2	V
		$I_{OL} = 50 \mu A^b, V_{CC}=3.3V$			0.2	V

Parameter	Symbol	Conditions ¹	Min	Typ	Max	Unit
CMHD2 Output, Logic 1, Voltage	V _{OHhd2}	I _{OH} = -15 mA, V _{CC} =5V	V _{CC} - 0.4			V
		I _{OH} = -7.5 mA, V _{CC} =3.3V	V _{CC} - 0.4			V
		I _{OH} = -50 μA ^b , V _{CC} =5V	V _{CC} - 0.2			V
		I _{OH} = -50 μA ^b , V _{CC} =3.3V	V _{CC} - 0.2			V
OD, Open-drain Output, Logical 0 Voltage	V _{OL}	I _{OL} = 4 mA, V _{CC} =5V			0.4	V
		I _{OL} = 2 mA, V _{CC} =3.3V			0.4	V
		I _{OL} = 50 μA ^b , V _{CC} =5V			0.2	V
		I _{OL} = 50 μA ^b , V _{CC} =3.3V			0.2	V
OD2 Open-Drain Output, Logical 0 Voltage	V _{OLod2}	I _{OL} = 24 mA, V _{CC} =5V			0.4	V
		I _{OL} = 12 mA, V _{CC} =3.3V			0.4	V
		I _{OL} = 50 μA ^b , V _{CC} =5V			0.2	V
		I _{OL} = 50 μA ^b , V _{CC} =3.3V			0.2	V
PU (Weak Pull-up), Logical 1, Output Voltage	V _{OHpu}	I _{OH} = - 4 μA, V _{CC} =5V	V _{CC} - 0.4			V
		I _{OH} = -2 μA, V _{CC} =3.3V	V _{CC} - 0.4			V
		I _{OH} = -1 μA ^b , V _{CC} =5V	V _{CC} - 0.2			V
		I _{OH} = -1 μA ^b , V _{CC} =3.3V	V _{CC} - 0.2			V
PU, Internal Pull-up Resistance	R _{pu}	V _{CC} =5V	40	50	120	kΩ
		V _{CC} =3.3V	40	100	120	kΩ
Output Leakage Current (I/O pin in Input Mode)	I _O (Off)	0V ≤ V _{OUT} ≤ V _{CC}	-1.0		1.0	μA
Digital Pin Capacitance	C		6		10	pF

1. All parameters specified for 0° C ≤ T_A ≤ 70° C.
V_{CC} = 3.3V ± 10% or V_{CC} = 5.0V ± 10% unless otherwise specified.
2. Guaranteed by design.

Table 19-8. Voltage Thresholds

Parameter ¹	Symbol	Min	Typ	Max	Unit	Section on Page
V _{CC} Detected as Power-on	V _{CCON}	2.0		2.8	V	6.2.13 on page 68, 6.2.14 on page 68, 6.2.15 on page 68, 6.5.4 on page 72
Battery Detected	V _{BATDTC}	1.0		1.2	V	6.2.14 on page 68
Low Battery Voltage	V _{LOWBAT}	1.3		1.9	V	6.5.4 on page 72
Workable Battery Voltage	V _{BATMIN} V _{BATMAX}	2.4		5.5	V	"Oscillator Start-up" on page 65; 6.2.15 on page 68.

1. All parameters specified for 0° C ≤ T_A ≤ 70° C.

19.4 AC ELECTRICAL CHARACTERISTICS

The following abbreviations are used in this section:

RE = Rising Edge

FE = Falling Edge

19.4.1 Definitions

The timing specifications in this section refer to low or high level voltage according to the specific buffer type (TTL or CMOS) on the rising or falling edges of all the signals, as illustrated in the following figures, unless specifically stated otherwise.

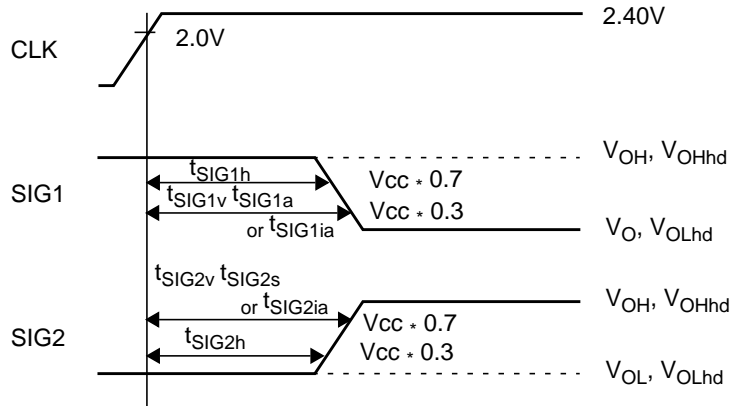


Figure 19-2. CMOS and CMOS High Drive: Output Signals Specification Standard

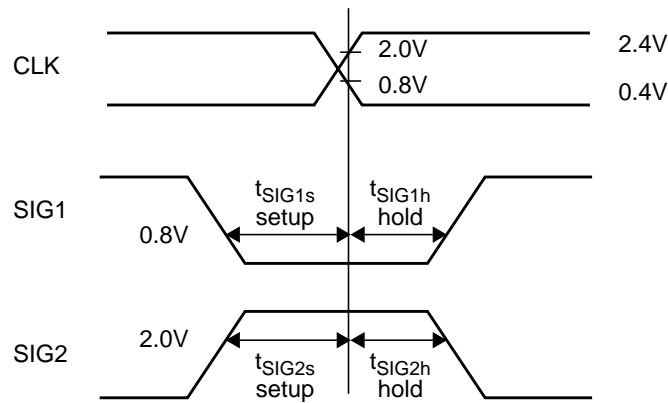


Figure 19-3. TTL: Input Signals Specification Standard

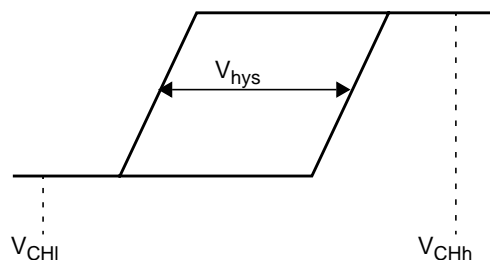


Figure 19-4. CMOS with Hysteresis Inputs

19.4.2 Timing Tables

All output timings are guaranteed for 50 pF load, unless otherwise specified.

Table 19-9. Output Signals

Symbol	Figure	Description	Reference Conditions	V _{CC} = 5 V 10%		V _{CC} = 3.3 V ± 10%	
				Min	Max	Min	Max
RESET Input Signals							
t _{EPLV}	19-25	Valid time: External pull-up and pull-down resistors	Before end of 16th clock cycle of CLK	6 * t _{CLK}		6 * t _{CLK}	
t _{IRST}	19-25	Internal power-on reset time	Power stable to end of 16th clock cycle of CLK	16 * t _{CLK} + 30 ms	16 * t _{CLK} + 30 ms + t _{32KW}	16 * t _{CLK} + 30 ms	16 * t _{CLK} + 30 ms + t _{32KW}
t _{SUPUP}	19-25	Supply wake-up time to 95% V _{CC}	After V _{CC} > V _{CCON}		1 ms		1 ms
t _{WRST}	19-26	HMR width	HMR RE to HMR FE	3 * t _{CLK}		3 * t _{CLK}	
t _{RSTia}	19-26	HMR inactive	After HMR FE	t _{CLK} + 5 ns			
RESET Output Signals							
t _{IPLV}	19-25	Valid time: Internal pull-up and pull-down resistors	Before end of 16th clock cycle of CLK	16 * t _{CLK}		16 * t _{CLK}	
Clock Input Signal							
t _{32KCLKIN}	19-5	Required clock period for 32KCLKIN. See Section 6-2 on page 65.	From RE to RE of 32KCLKIN. t _{32NOM} = 30.517578 μs	30.5145 μs (t _{32NOM} - 100ppm)	30.5206 μs (t _{32NOM} - 100ppm)	30.5145 μs (t _{32NOM} - 100ppm)	30.5206 μs (t _{32NOM} - 100ppm)
Clock Output Signals							
t _{CLK}	19-6	CLK period	At 2.0V (both edges)	100 ns	250 ns	100 ns	250 ns
t _{CLKh}	19-6	CLK high time	At 2.0V (both edges)	0.5 * t _{CLK} - 5 ns		0.5 * t _{CLK} - 5 ns	
t _{CLKl}	19-6	CLK low time	At 0.8V (both edges)	0.5 * t _{CLK} - 5 ns		0.5 * t _{CLK} - 5 ns	
t _{CLKr}	19-6	CLK rise time	0.8V to 2.0V		4 ns		6 ns
t _{CLKf}	19-6	CLK fall time	2.0V to 0.8V		4 ns		6 ns
t _{CLKw}	19-7	CLK wake-up time	From wake-up event till CLK starts toggling		200 μs		200 μs
t _{CLKINTst}	19-7	t _{CLK} period ⁵	Active mode in steady state	0.99 * t _{CLKINTnom}	1.01 * t _{CLKINTnom}	0.99 * t _{CLKINTnom}	1.01 * t _{CLKINTnom}
t _{CLKINTwk}	19-7	t _{CLK} period ⁵	After wake-up from Idle	0.9 * t _{CLKINTnom}	1.1 * t _{CLKINTnom}	0.9 * t _{CLKINTnom}	1.1 * t _{CLKINTnom}
t _{CLKstab}	19-7	t _{CLK} stabilization time	After wake-up from Idle		0.5 sec		0.5 sec
t _{32KW}	19-5	32K oscillator wake-up time	After V _{BAT} > V _{LOWBAT}		1 sec		1 sec
t _{32KD}	19-6	CLK delay time	After V _{CC} > V _{CCON}		40 ms		40 ms
BIU Input Signals							

Symbol	Figure	Description	Reference Conditions	$V_{CC} = 5\text{ V } 10\%$		$V_{CC} = 3.3\text{ V } \pm 10\%$	
				Min	Max	Min	Max
t_1	19-8, 19-10 to 19-12	Input setup time D0-15	Before RE CLK	15 ns		30 ns	
t_2	19-8, 19-10 to 19-12	Input hold time D0-15	After RE CLK	0		0	
BIU Output Signals							
t_3	19-8 to 19-13	Output valid time A0-17, BE0,1CBRD, D0-15	After RE CLK		14 ns		17 ns
t_4	19-8 to 19-13	Output valid time BST0-2	After RE CLK		$0.5 * t_{CLK} + 14\text{ ns}$		$0.5 * t_{CLK} + 20\text{ ns}$
t_5	19-8 to 19-12	Output active/inactive time RD, SEL0-1, SELIO	After RE CLK		14 ns		17 ns
t_6	19-8, 19-9	Output active/inactive time WR0-1	After RE CLK		$0.5 * t_{CLK} + 14\text{ ns}$		$0.5 * t_{CLK} + 17\text{ ns}$
t_7	19-10	Minimum inactive time RD	After RE RD	$t_{CLK} - 5\text{ ns}$		$t_{CLK} - 5\text{ ns}$	
t_8	19-8, 19-9	Output float time A0-17, D0-15, RD, SEL0-1, SELIO, WR0-1	After RE CLK		14 ns		17 ns
t_9	19-8, 19-9	Minimum delay time	From RE RD to D0-15 drive	$t_{CLK} - 8\text{ ns}$		$t_{CLK} - 8\text{ ns}$	
t_{10}	19-9	Minimum delay time	From RE RD to RE SELn	0 ns		0 ns	
t_{11}	19-9	Minimum delay time	From RE SELx to FE SELy	0 ns		0 ns	
t_{12}	19-8 to 19-13	Output hold time A0-17, BE0-1, CBRD, D0-15, RD, SEL0-1, SELIO	After RE CLK	0 ns		0 ns	
t_{13}	19-8 to 19-13	Output hold time BST0-2, WR0-1	After RE CLK	$0.5 * t_{CLK} - 4\text{ ns}$		$0.5 * t_{CLK} - 4\text{ ns}$	
t_{14}	19-9	D0-15 valid in late write bus cycles	Before RE WR0-1	$(K + 0.5) * t_{CLK} - 6\text{ ns}^1$		$(K + 0.5) * t_{CLK} - 8\text{ ns}^1$	

Symbol	Figure	Description	Reference Conditions	V _{CC} = 5 V 10%		V _{CC} = 3.3 V ± 10%	
				Min	Max	Min	Max
Host Processor Interface Input Signals							
t _{AR}	19-16	Read address valid	Before $\overline{\text{HIORD}}$ or $\overline{\text{HMEMRD}}$ FE	30 ns		30 ns	
t _{AW}	19-17	Address valid to write active	Before $\overline{\text{HIOWR}}$ or $\overline{\text{HMEMWR}}$ FE	30 ns		30 ns	
t _{DH}	19-17	Write data hold	After $\overline{\text{HIOWR}}$ or $\overline{\text{HMEMWR}}$ RE	6 ns		6 ns	
t _{DS}	19-17	Write data setup	Before $\overline{\text{HIOWR}}$ or $\overline{\text{HMEMWR}}$ RE	30 ns		30 ns	
t _{HIPONh}	19-27	Host input signals hold	After $\overline{\text{HPWRON}}$ RE	20 ns		20 ns	
t _{HIPONs}	19-27	Host input signals setup	Before $\overline{\text{HPWRON}}$ FE	20 ns		20 ns	
t _{MCSH}	19-16, 19-17	$\overline{\text{HMEMCS}}$ hold	After $\overline{\text{HMEMWR}}$ or $\overline{\text{HMEMRD}}$ RE	10 ns		10 ns	
t _{MCSs}	19-16, 19-17	$\overline{\text{HMEMCS}}$ setup	Before $\overline{\text{HMEMWR}}$ or $\overline{\text{HMEMRD}}$ FE	12 ns		12 ns	
t _{RA}	19-16	Read address hold	After $\overline{\text{HIORD}}$ or $\overline{\text{HMEMRD}}$ RE	0		0	
t _{RCU}	19-16	Read cycle update	After $\overline{\text{HIORD}}$ or $\overline{\text{HMEMRD}}$ RE	45 ns		45 ns	
t _{RD}	19-16	$\overline{\text{HIORD}}$ or $\overline{\text{HMEMRD}}$ width	FE to RE	60 ns		60 ns	
t _{WA}	19-17	Write address hold	After $\overline{\text{HIOWR}}$ or $\overline{\text{HMEMWR}}$ RE	0		0	
t _{WCU}	19-17	Write cycle update ²	After $\overline{\text{HIOWR}}$ or $\overline{\text{HMEMWR}}$ RE	45 ns		45 ns	
t _{WR}	19-17	$\overline{\text{HIOWR}}$ or $\overline{\text{HMEMWR}}$ width	FE to RE	60 ns		60 ns	
RC	19-16	Read cycle	t _{AR} + t _{RD} + t _{RCU}	123 ns		123 ns	
WC	19-17	Write cycle	t _{AW} + t _{WR} + t _{WC}	123 ns		123 ns	
t _{RDYH}	19-16, 19-17	$\overline{\text{HIOWR}}$, $\overline{\text{HMEMWR}}$, $\overline{\text{HIORD}}$ or $\overline{\text{HMEMRD}}$ hold	After $\overline{\text{IOCHRDY}}$ RE	0		0	
t _{WRR}	19-17	$\overline{\text{HIORD}}$ or $\overline{\text{HMEMRD}}$ active	After $\overline{\text{HIOWR}}$ or $\overline{\text{HMEMWR}}$ RE	80 ns		80 ns	
Host Processor Interface Output Signals							
t _{HZ}	19-16	Read data floating	After $\overline{\text{HIORD}}$ or $\overline{\text{HMEMRD}}$ RE	6 ns	25 ns	6 ns	25 ns
t _{RI}	19-16	Clear IRQ1, 12, 11	After $\overline{\text{HIORD}}$ RE		55 ns		55 ns
t _{RVD}	19-16	Read data valid	After $\overline{\text{HIORD}}$ or $\overline{\text{HMEMRD}}$ FE		55 ns		55 ns
t _{RDH}	19-16	Read data hold	After $\overline{\text{HIORD}}$ or $\overline{\text{HMEMRD}}$ RE		4 ns		4 ns

Symbol	Figure	Description	Reference Conditions	$V_{CC} = 5 V \pm 10\%$		$V_{CC} = 3.3 V \pm 10\%$	
				Min	Max	Min	Max
t_{RDYA}	19-16	IOCHRDY inactive	After \overline{HIOWR} , \overline{HMEMWR} , \overline{HIORD} or \overline{HMEMRD} FE		30 ns		30 ns
GPIO Ports Input Signals							
t_{INPs}	19-15	Input setup time PA0-6, PB0-7, PC0-7, PD0-7, PE0-1, PF0-7, PG0-4, PH0-5	Before RE CLK	$0.5 \cdot t_{CLK}$		$0.5 \cdot t_{CLK}$	
t_{INPh}	19-15	Input hold time PA0-6, PB0-7, PC0-7, PD0-7, PE0-1, PF0-7, PG0-4, PH0-5	After RE CLK	0		0	
GPIO Ports Output Signals							
t_{OUTv}	19-14	Output valid time KBSOUT0-15, PA0-6, PB0-7, PC0-7, PE0-1, PF0-7, PG0-4, PH0-5	After RE CLK		$0.5 \cdot t_{CLK}$		$0.5 \cdot t_{CLK}$
t_{OUTh}	19-14	Output hold time KBSOUT0-15, PA0-6, PB0-7, PC0-7, PE0-1, PF0-7, PG0-4, PH0-5	After RE CLK	0		0	
PS/2 Input Signals							
t_{PSDis}	19-28	Input setup time PSDAT1-3	Before FE PSCLK1-3	0		0	
t_{PSDIh}	19-28	Input hold time PSDAT1-3	After RE PSCLK1-3	0		0	
t_{PSCLKl}	19-28, 19-29	PSCLK1-3 low time	At 0.8V (both edges)	$(n + 1) \cdot t_{CLK}^3$		$(n + 1) \cdot t_{CLK}^3$	
t_{PSCLKh}	19-28, 19-29	PSCLK1-3 high time	At 2.0V (both edges)	$(n + 1) \cdot t_{CLK}^3$		$(n + 1) \cdot t_{CLK}^3$	
PS/2 Output Signals							
t_{PSDOv}	19-29	Output valid time PSDAT1-3	After FE PSCLK1-3		$(n + 6) \cdot t_{CLK} + 14 ns^4$		$(n + 6) \cdot t_{CLK} + 14 ns^4$
t_{PSCLKa}	19-30	Output active time PSCLK1-3	After RE CLK		14 ns		17 ns
$t_{PSCLKia}$	19-30	Output inactive time PSCLK1-3	After RE CLK		14 ns		17 ns
t_{RDYDv}	19-16	HD0-7 valid	Before IOCHRDY RE	0		0	
ACCESS.bus Input Signals							
t_{BUFi}	19-20	Bus free time between Stop and Start condition		$t_{SCLhigho}$		$t_{SCLhigho}$	
t_{CSTOSi}	19-20	SCL setup time	Before Stop condition	$8 \cdot t_{CLK} - t_{SCLri}$		$8 \cdot t_{CLK} - t_{SCLri}$	

Symbol	Figure	Description	Reference Conditions	V _{CC} = 5 V 10%		V _{CC} = 3.3 V ± 10%	
				Min	Max	Min	Max
t _{CSTRhi}	19-21	SCL hold time	After Start condition	8 * t _{CLK} - t _{SCLri}		8 * t _{CLK} - t _{SCLri}	
t _{CSTRsi}	19-21	SCL setup time	Before Start condition	8 * t _{CLK} - t _{SCLri}		8 * t _{CLK} - t _{SCLri}	
t _{DHCsi}	19-21	Data high setup time	Before SCL RE	2 * t _{CLK}		2 * t _{CLK}	
t _{DLCsi}	19-20	Data low setup time	Before SCL RE	2 * t _{CLK}		2 * t _{CLK}	
t _{SCLfi}	19-19	SDA signal fall time			300 ns		300 ns
t _{SCLri}	19-19	SDA signal rise time			1 μs		1 μs
t _{SCLlowi}	19-22	SCL low time	After SCL FE	16 * t _{CLK}		16 * t _{CLK}	
t _{SCLhighi}	19-22	SCL high time	After SCL RE	16 * t _{CLK}		16 * t _{CLK}	
t _{SDAri}	19-19	SDA signal fall time			300 ns		300 ns
t _{SDAfi}	19-19	SDA signal rise time			1 μs		1 μs
t _{SDAhi}	19-22	SDA hold time	After SCL FE	0		0	
t _{SDAsi}	19-22	SDA setup time	Before SCL RE	2 * t _{CLK}		2 * t _{CLK}	
ACCESS.bus Output Signals							
t _{SCLhigho}	19-22	SCL high time	After SCL RE	K * t _{CLK} - 1 μs ⁵		K * t _{CLK} - 1 μs ⁵	
t _{SCLlowo}	19-22	SCL low time	After SCL FE	K * t _{CLK} - 1 μs ⁵		K * t _{CLK} - 1 μs ⁵	
t _{BUFo}	19-20	Bus free time between Stop and Start condition		t _{SCLhigho} ⁶	1 μs	t _{SCLhigho} ⁶	1 μs
t _{CSTOso}	19-20	SCL setup time	Before Stop condition	t _{SCLhigho} ⁶	1 μs	t _{SCLhigho} ⁶	1 μs
t _{CSTRho}	19-21	SCL hold time	After Start condition	t _{SCLhigho} ⁶	1 μs	t _{SCLhigho} ⁶	1 μs
t _{CSTRso}	19-21	SCL setup time	Before Start condition	t _{SCLhigho} ⁶	1 μs	t _{SCLhigho} ⁶	1 μs
t _{DHCso}	19-21	Data high setup time	Before SCL RE	t _{SCLhigho} ⁶ - t _{SDAro}	1 μs	t _{SCLhigho} ⁶ - t _{SDAro}	1 μs
t _{DLCso}	19-20	Data low setup time	Before SCL RE	t _{SCLhigho} ⁶ - t _{SDAfo}	1 μs	t _{SCLhigho} ⁶ - t _{SDAfo}	1 μs
t _{SCLfo}	19-19	SDA signal fall time			300 ns ⁷		300 ns ⁷
t _{SCLro}	19-19	SDA signal rise time			1 μs		1 μs
t _{SDAfo}	19-19	SDA signal fall time			300 ns ⁷		300 ns ⁷
t _{SDAro}	19-19	SDA signal rise time			1 μs		1 μs
t _{SDAho}	19-22	SDA hold time	After SCL FE	7 * t _{CLK} - t _{SCLfo}		7 * t _{CLK} - t _{SCLfo}	

Symbol	Figure	Description	Reference Conditions	V _{CC} = 5 V 10%		V _{CC} = 3.3 V ± 10%	
				Min	Max	Min	Max
t _{SDAv0}	19-22	SDA valid time	After SCL FE		7 * t _{CLK} + t _{RD}		7 * t _{CLK} + t _{RD}
MFT16 Input Signals							
t _{TAH}	19-18	TA high time		t _{CLK} + 5 ns		t _{CLK} + 5 ns	
t _{TAL}	19-18	TA low time		t _{CLK} + 5 ns		t _{CLK} + 5 ns	
t _{TBH}	19-18	TB high time		t _{CLK} + 5 ns		t _{CLK} + 5 ns	
t _{TBL}	19-18	TB low time		t _{CLK} + 5 ns		t _{CLK} + 5 ns	
ICU/Development Input Signals							
t _{is}	19-24	Input setup time ISE, PFAIL, EXINTn	Before RE CLK	15 ns		15 ns	
t _{ih}	19-24	Input hold time ISE, PFAIL, EXINTn	After RE CLK	0		0	
Development Output Signals							
t _{PFSH}	19-23	Output hold time PFS, PLI	After RE CLK	0.5 * t _{CLK} - 6 ns		0.5 * t _{CLK} - 6 ns	
t _{PFSv}	19-23	Output active/inactive time PFS, PLI	After RE CLK		0.5 * t _{CLK} + 12 ns		0.5 * t _{CLK} + 12 ns
Asynchronous Edge Detected Input Signals							
t _{asw}	19-24	Input width EXINTn, HMEMRD, HMEMWR, ISE, KBSIN0-7, PFAIL PSCLK1-3, PSDAT1-3		15 ns		15 ns	

1. K is the number of wait cycles added to the bus cycle. This number may be 0 or more.
2. In shared memory write operations, the actual write to memory is executed after HMEMWR is inactive. In case reset or entering Idle mode occurs before the memory write cycle is completed it may be that the data will not be written to memory.
3. n is the number of clock cycles, as programmed in the IDB field. See PS/2 Control Register in Section 12.5.3 on page 95.
4. n is the number of clock cycles, as programmed in the IDB field. See PS/2 Control Register in Section 12.5.3 on page 95.
5. Refer to Table 7-1 on page 76 for the definition of t_{CLKINTnom}.
6. Depends on the signal capacitance and the pull-up value.
7. Assuming signal capacitance up to 400 pF.

19.5 TIMING DIAGRAMS

19.5.1 General

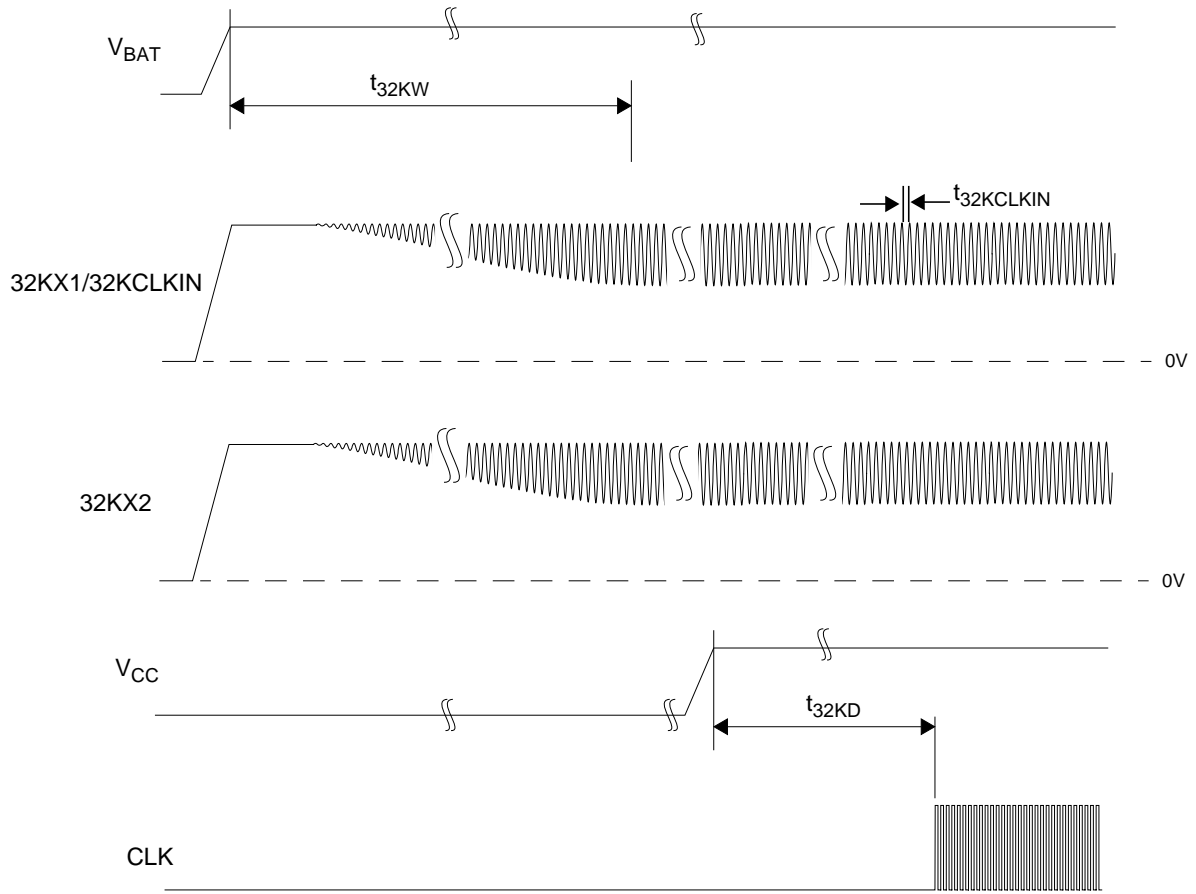


Figure 19-5. 32K Waveforms

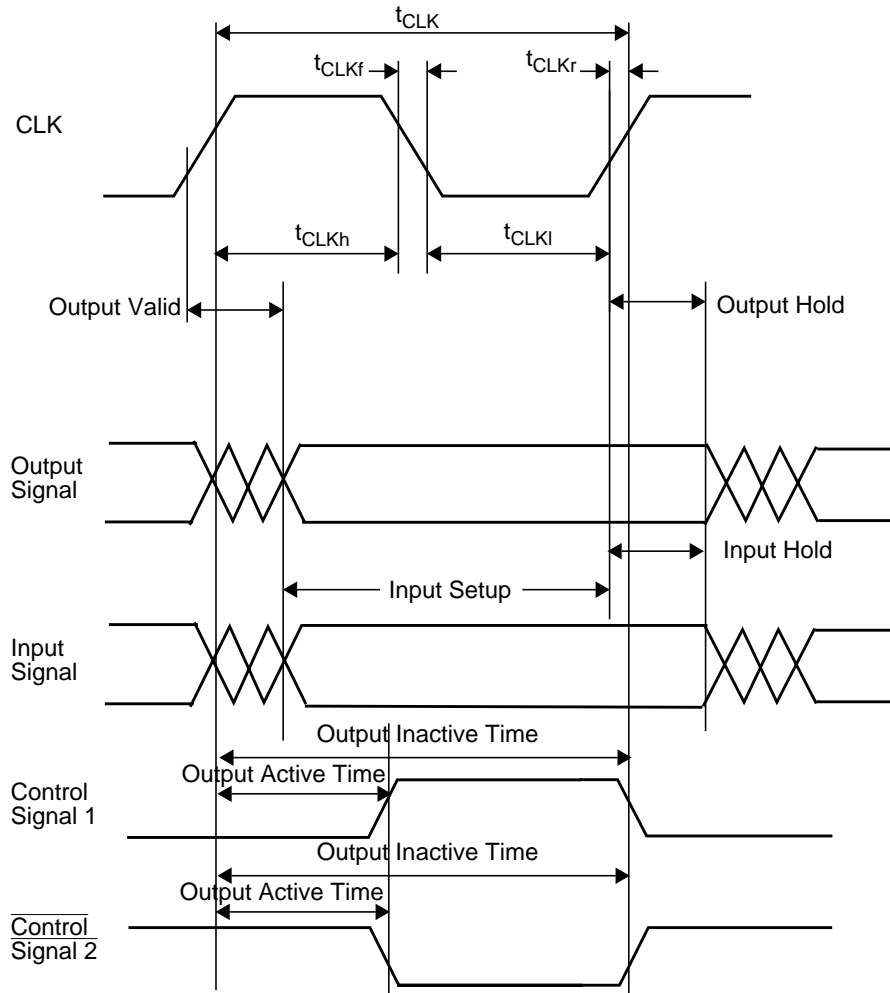


Figure 19-6. Clock Waveforms

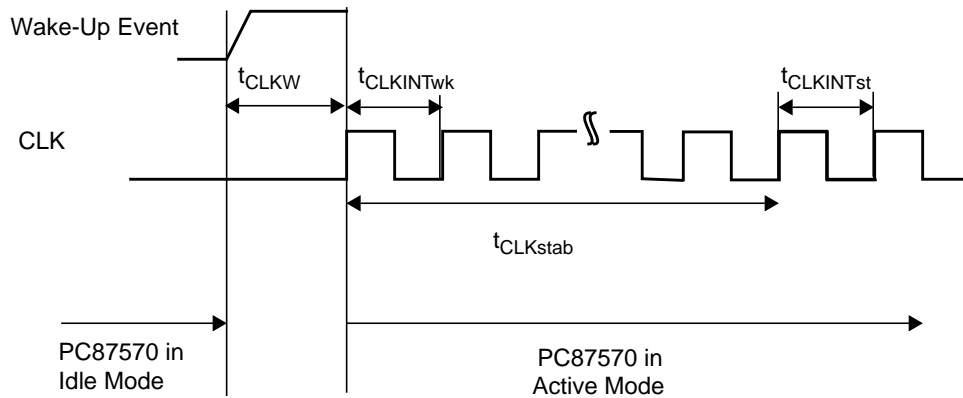


Figure 19-7. Internal Clock Generator

19.5.2 BIU

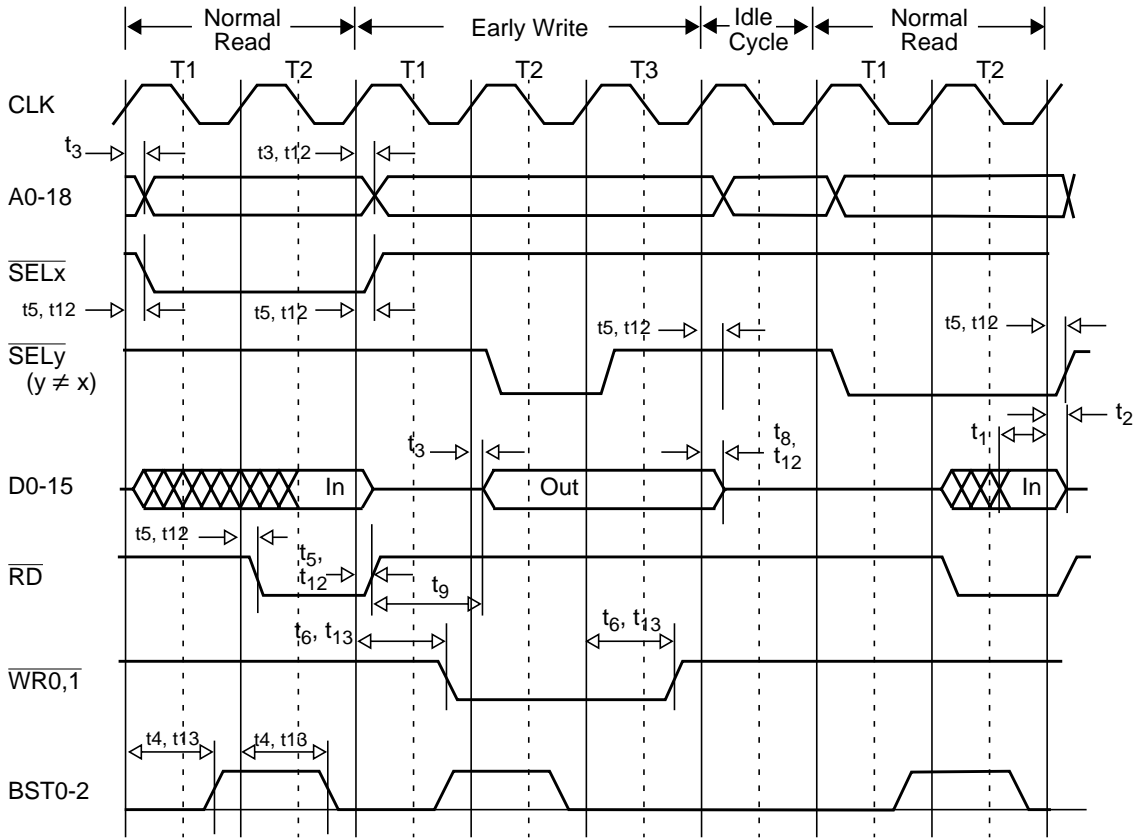


Figure 19-8. Early Write Between Normal Read Bus Cycles, 0 Wait, AC Timing

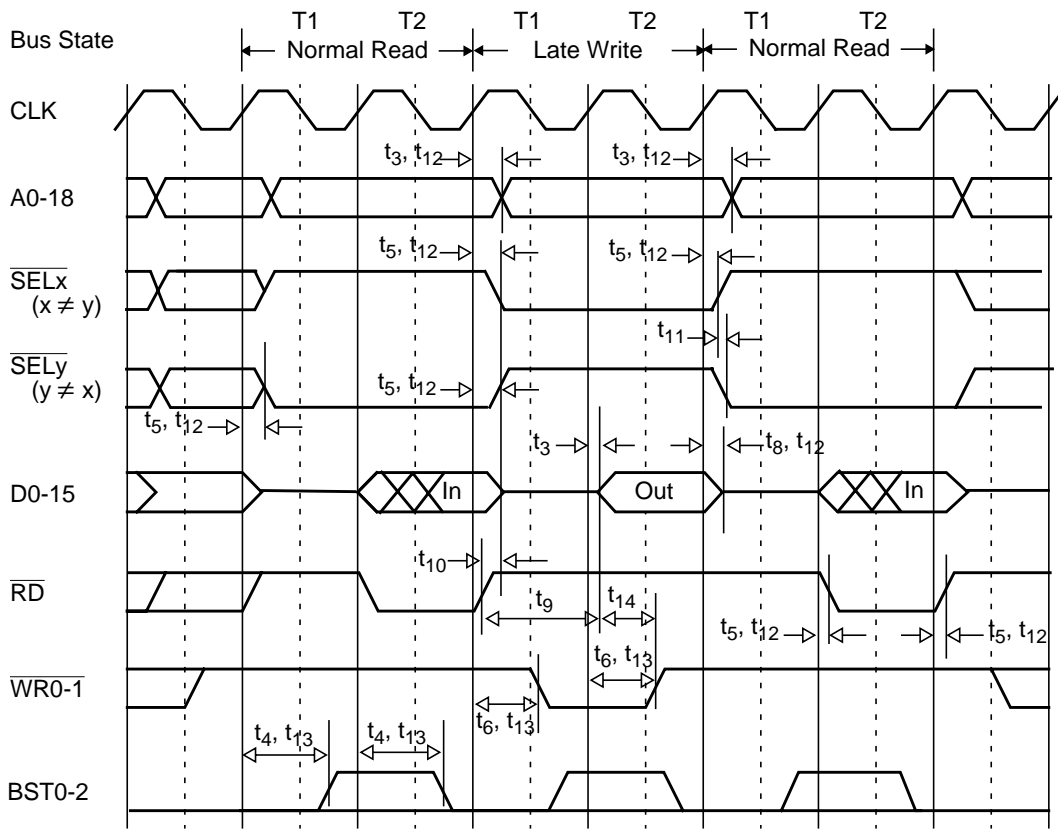


Figure 19-9. Late Write between Two Normal Read Bus Cycles, 0 Wait, AC Timing

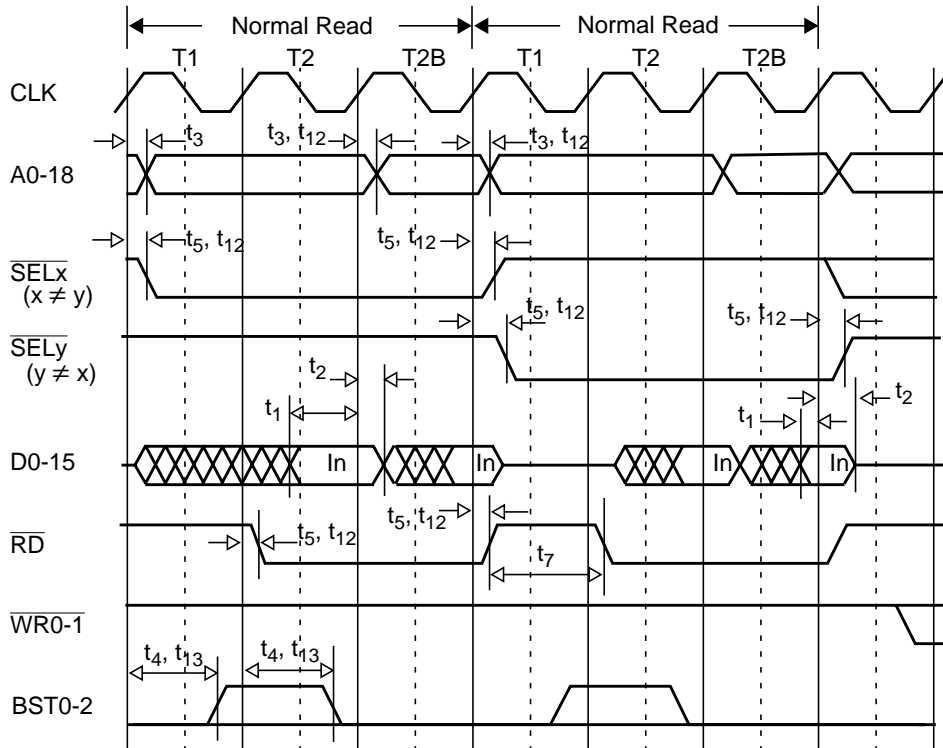


Figure 19-10. Two Consecutive Normal Read Bus Cycles with Burst, 0 Wait, AC Timing

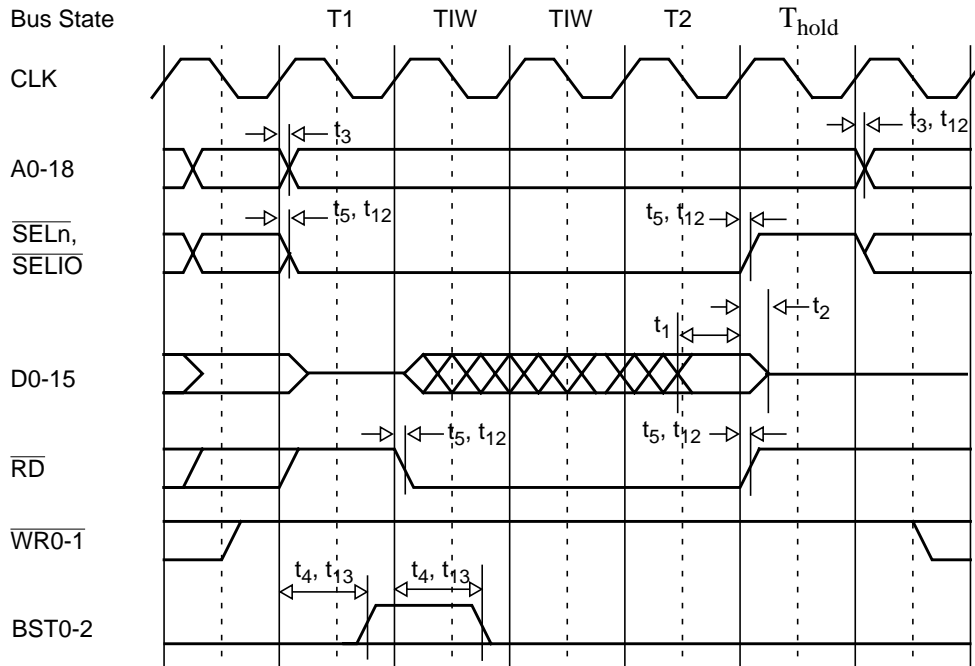


Figure 19-11. Normal Read Bus Cycle (2 Internal Waits, and 1 Hold), AC Timing

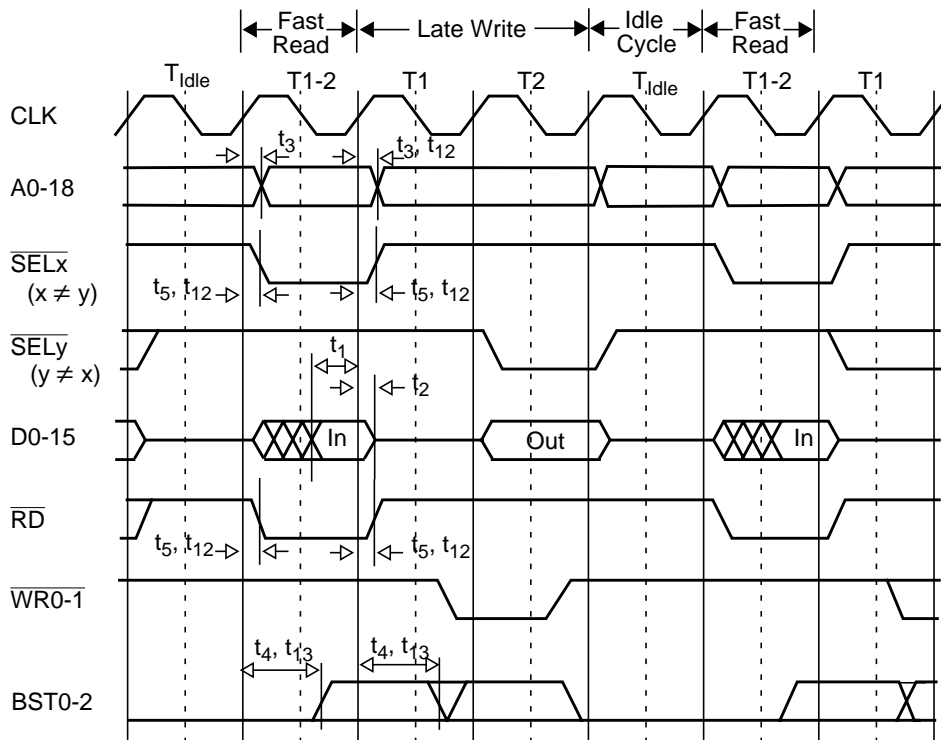


Figure 19-12. Fast Read Bus Cycle, AC Timing

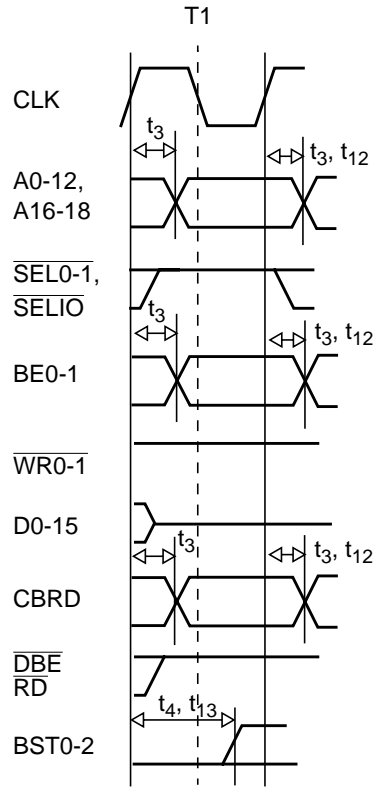


Figure 19-13. Core Bus Monitoring Bus Cycle, AC Timing

19.5.3 GPIO Ports

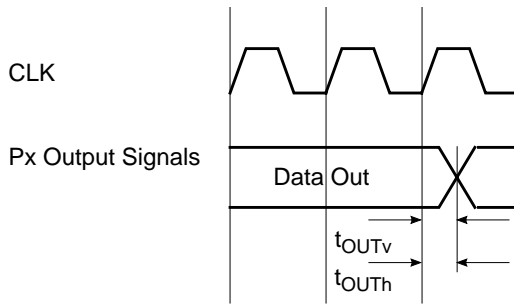


Figure 19-14. Output Signal Timing for Output and I/O Port Signals

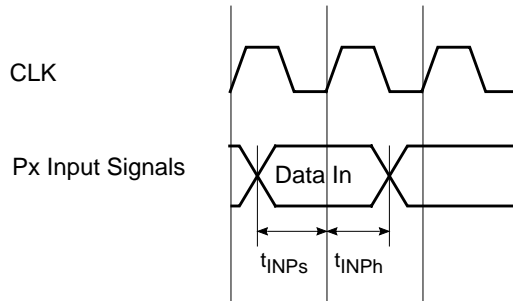
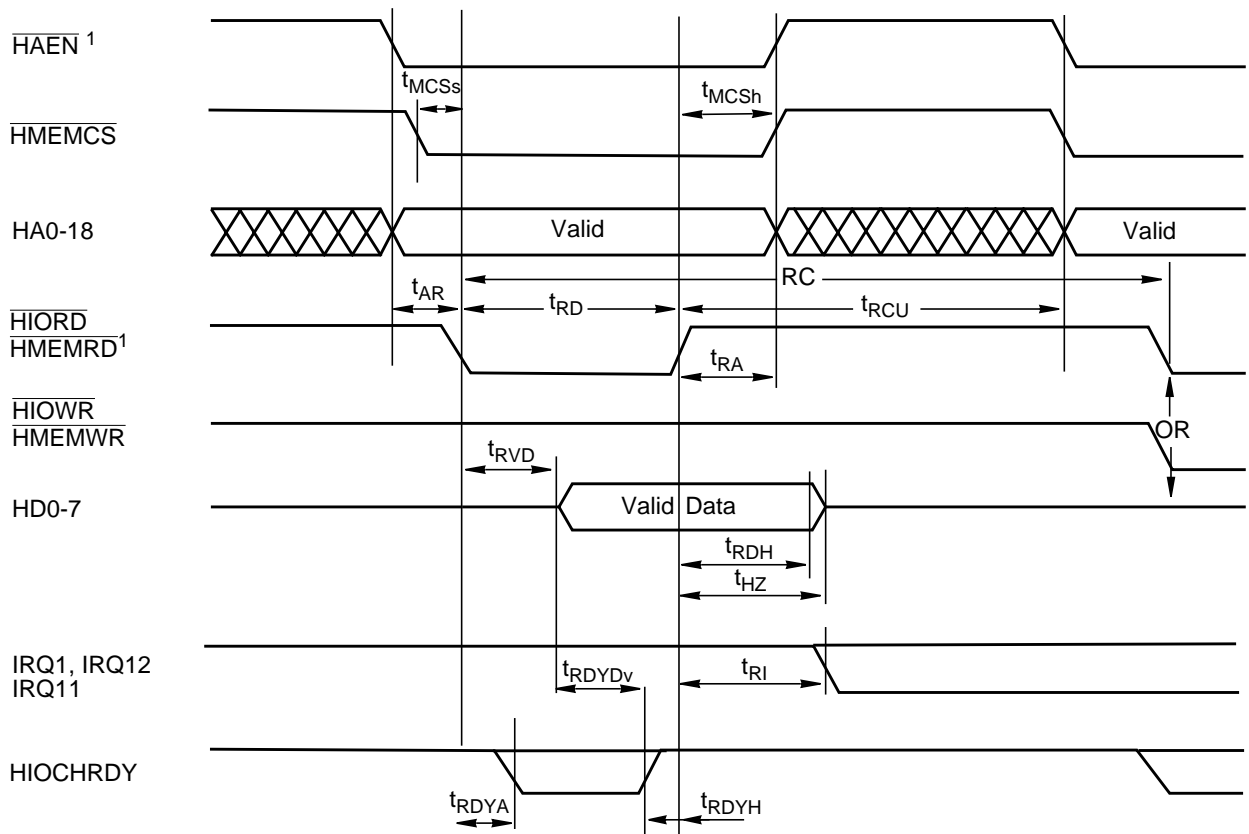


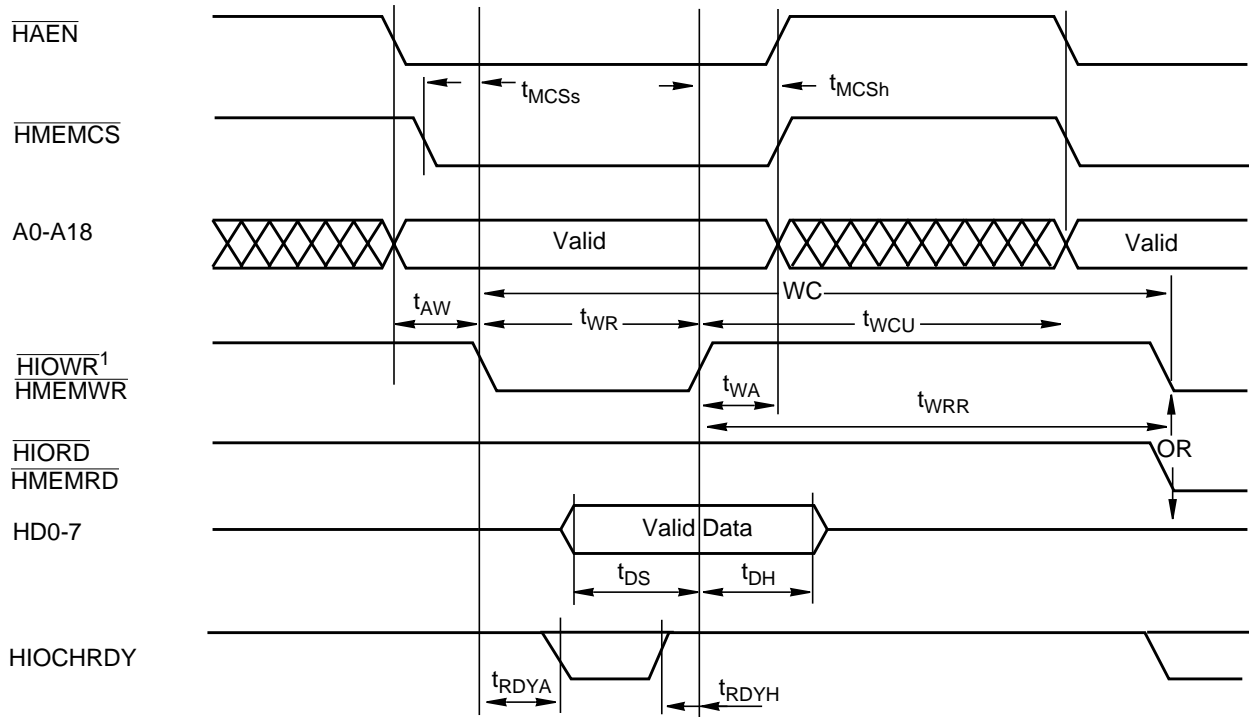
Figure 19-15. Input Signal Timing for Input and I/O Port Signals

19.5.4 Host Interface



1. Either $\overline{\text{HIOR}}$ or $\overline{\text{HMEMRD}}$ is active, for access to I/O devices or the shared memory, respectively.

Figure 19-16. Host Processor Read Operation



Notes: 1. Either HIOWR or HMEMWR is active, for access to I/O devices or the shared memory, respectively.

Figure 19-17. Host Processor Write Operation

19.5.5 MFT16

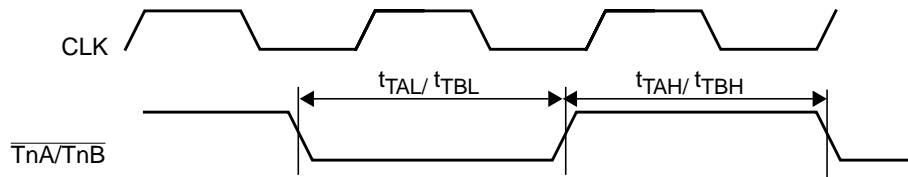


Figure 19-18. Multi-Function Timer (MFT16) Input Timing

19.5.6 ACCESS Bus Interface

In the diagrams below, an "o" is added to parameter names in the timing tables for output signals, and an "i" for input signals.

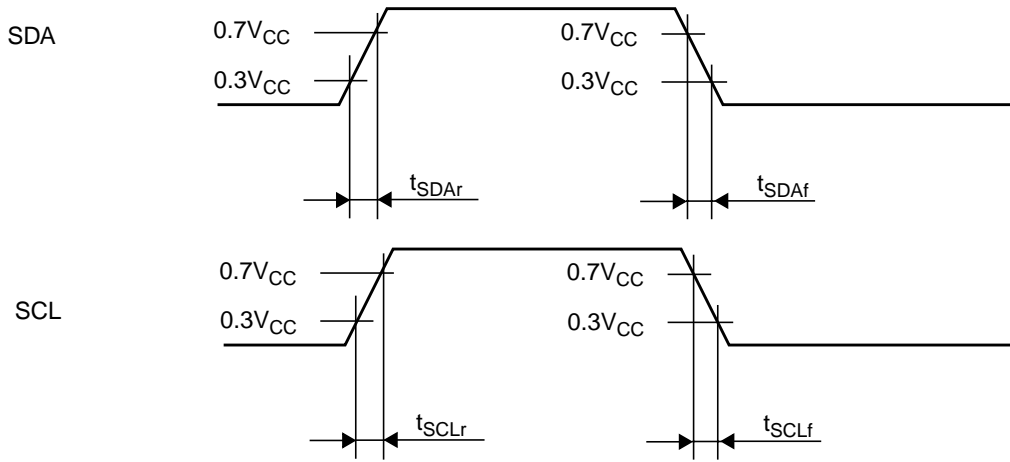


Figure 19-19. ACB Signals (SDA and SCL) Rising Time and Falling Time

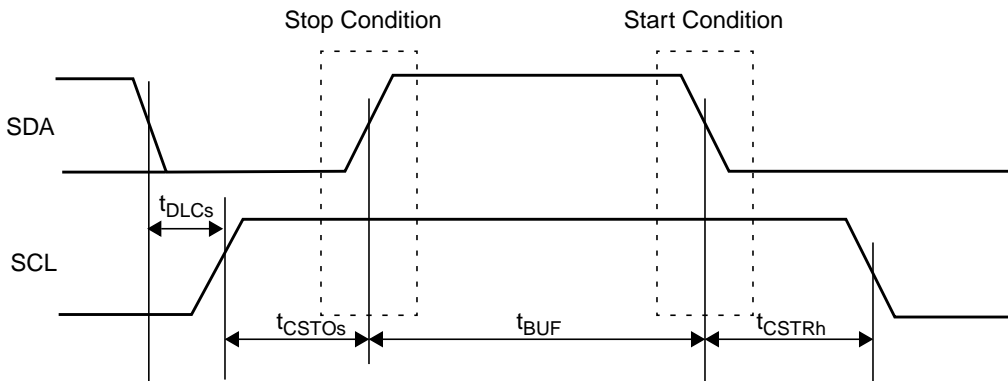


Figure 19-20. ACB Start and Stop Condition Timing

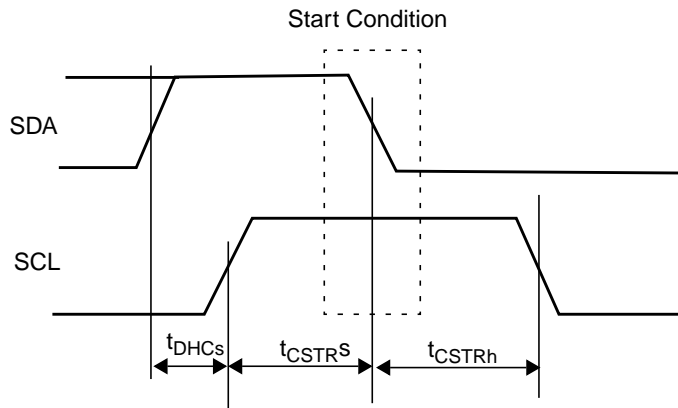


Figure 19-21. ACB Start Condition Timing

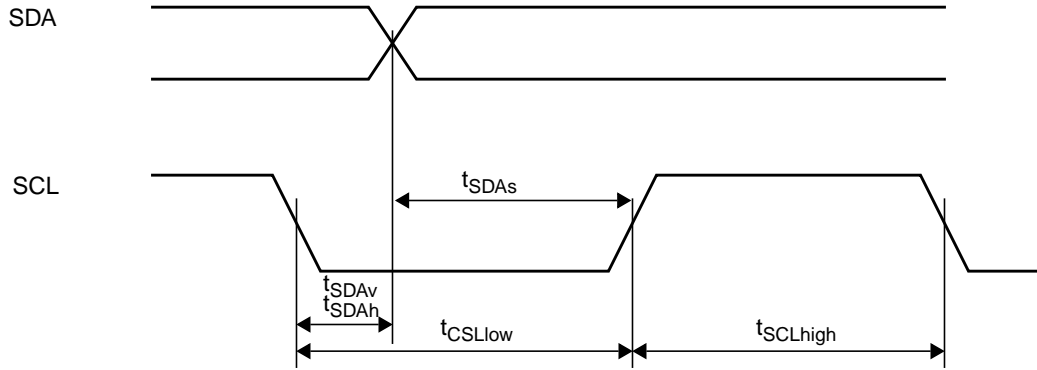


Figure 19-22. ACB Data Bit Timing

19.5.7 Dev Environment Support

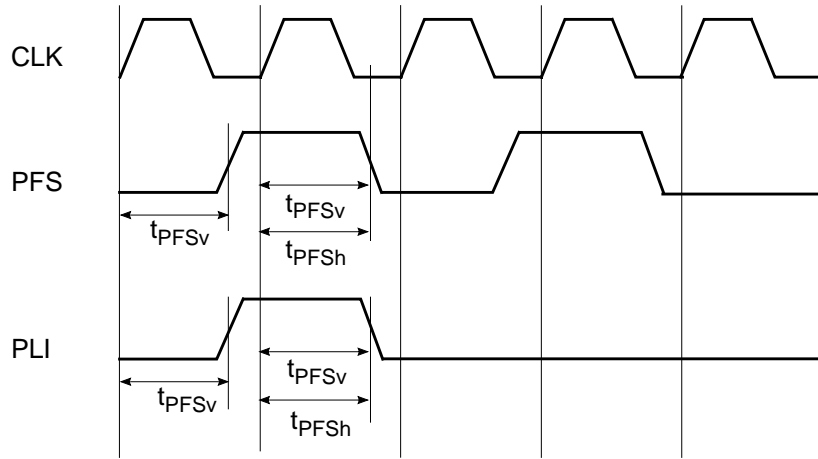


Figure 19-23. Pipe Status Signal (PFS and PLI) Timing

19.5.8 Interrupts and Wake-up

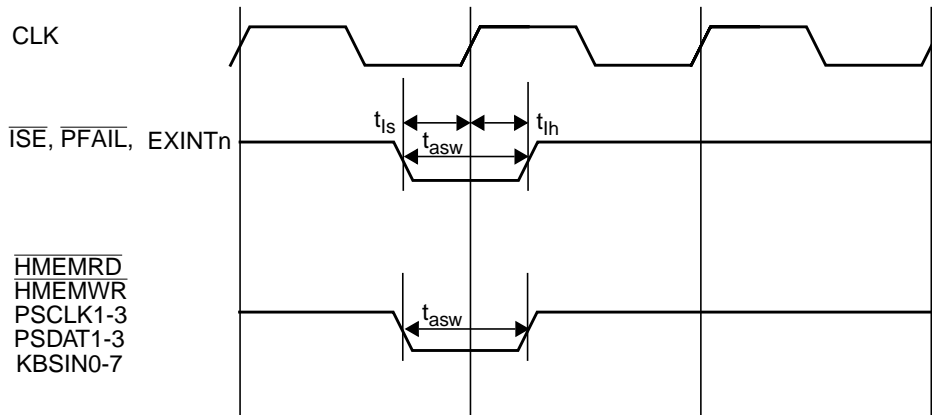
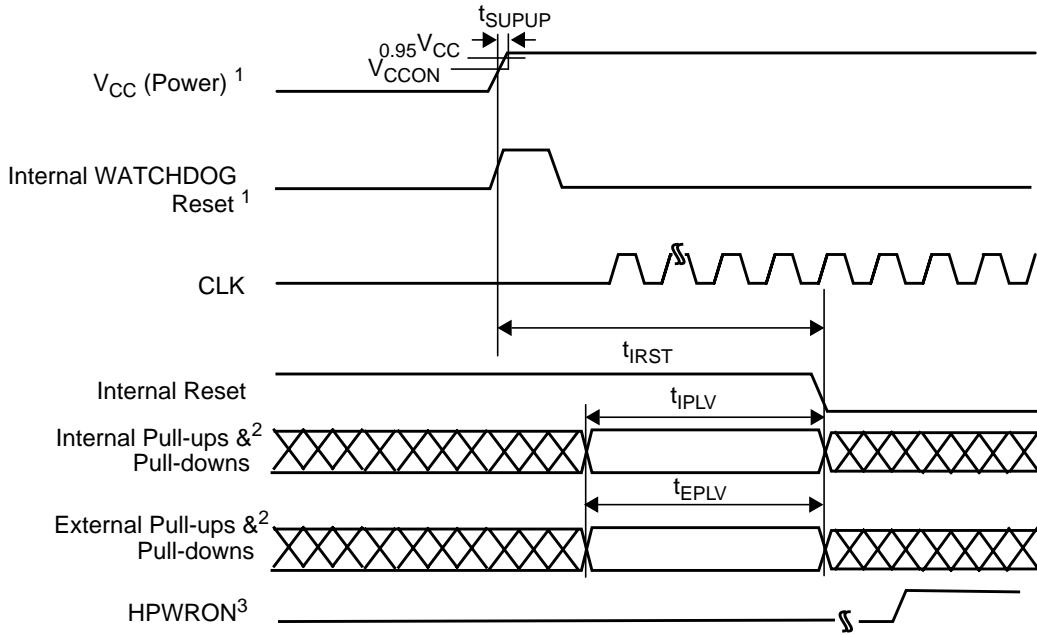


Figure 19-24. ISE, PFAIL, EXINTn and MIWU Input Signal Timing

19.5.9 Reset



- Notes: 1. Either WATCHDOG or power-up.
 2. Valid on power-up reset only.
 3. HPWRON should be inactive during power-up reset.

Figure 19-25. Internal Power-Up Reset

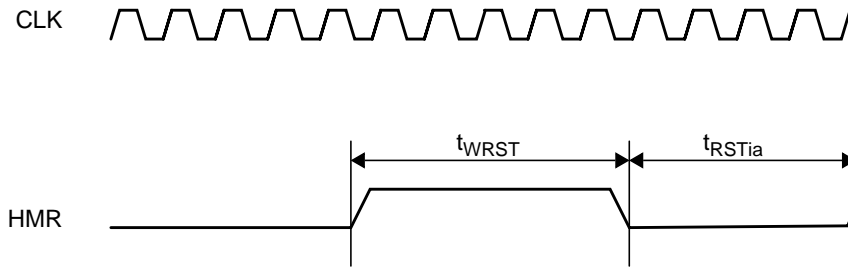


Figure 19-26. Warm Reset

19.5.10 Host Power-on

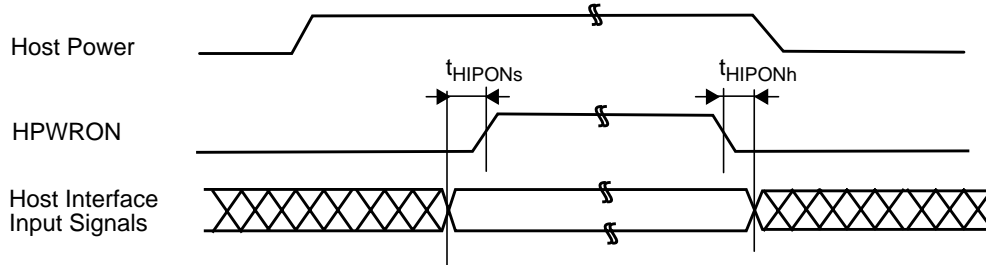


Figure 19-27. HPWRON Input Timing

19.5.11 PS/2 Interface

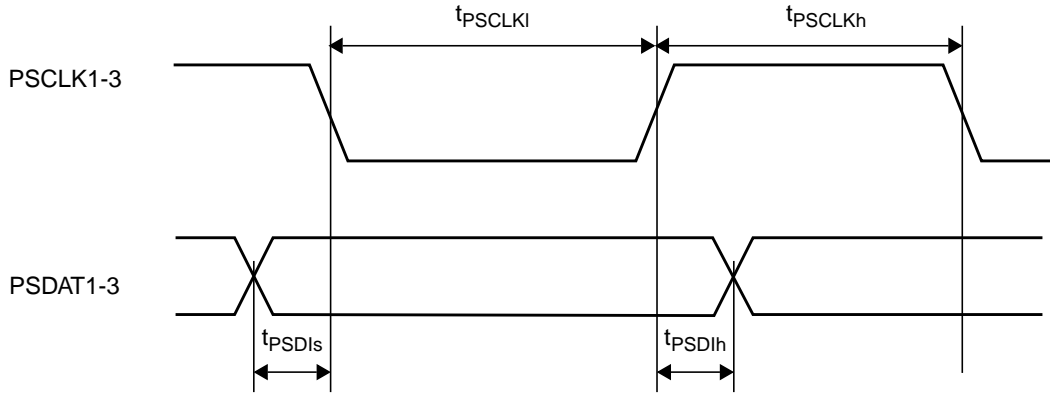


Figure 19-28. PS/2 Receive Timing

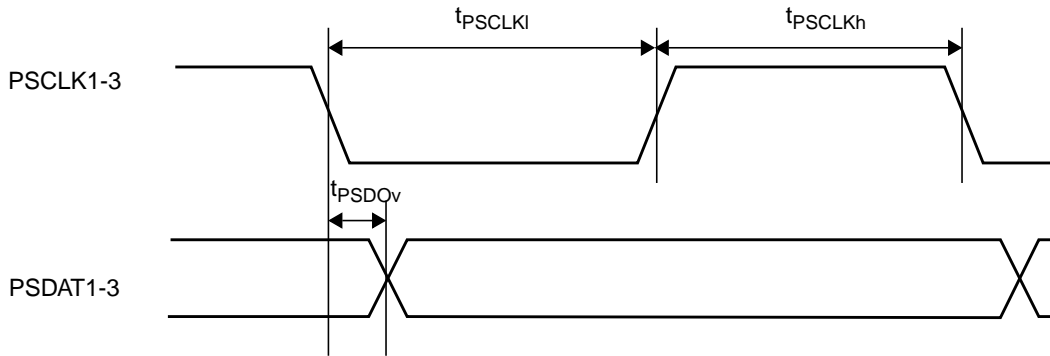


Figure 19-29. PS/2 Transmit Timing

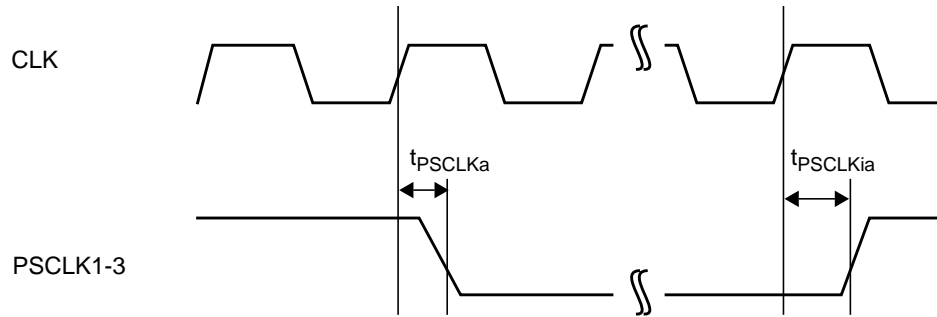


Figure 19-30. PS/2 Clock Signal Pulled Low by PC87570

A. CR16A Register Map

ACB Interface	7	6	5	4	3	2	1	0	Register Address	Access Type	Value After Reset
ACBSDA	DATA								FF60h	Read/Write	
ACBST	SLVSTP	SDAST	BER	NEGACK	STASTR	NMATCH	MASTER	XMIT	FF62h	Read Only	00h
ACBCST	Reserved		TGSCL	TSDA	GMATCH	MATCH	BB	BUSY	FF64h	Read Only	00h
ACBCTL1	STASTRE	NMINTE	GCMEN	ACK	Reserved	INTEN	STOP	START	FF66h	Read/Write	00h
ACBADDR	SAEN	ADDR							FF68h	Read/Write	
ACBCTL2	SCLFRQ							ENABLE	FF6Ah	Read/Write	00h

ADC	7	6	5	4	3	2	1	0	Register Address	Access Type	Value After Reset
ADCST	Reserved		BUFPTR		Reserved	OVF	BUSY	EOC	FF20h	Read/Write	30h
ADCCNT1	Reserved					INTE	INTREF	ADCEN	FF22h	Read/Write	00h
ADCCNT2	START	SCAN		CONT	CHANNEL			FF24h	Read/Write	00h	
ADCCNT3	Reserved		DELAY			CDIV		FF26h	Read/Write	00h	
ADDATA0	RESULT 0 DATA								FF2Ah	Read Only	
ADDATA1	RESULT 1 DATA								FF2Ch	Read Only	
ADDATA2	RESULT 2 DATA								FF2Eh	Read Only	
ADDATA3	RESULT 3 DATA								FF30h	Read Only	

BIU	15	12	11	10	9	8	7	6	5	4	3	2	1	0	Register Address	Access Type	Value After Reset
BCFG	Reserved												OBR	EWR	F980h	Read/Write	07h
IOCFG	Reserved			IPST	Res	BW	Reserved		HOLD	WAIT			F982h	Read/Write	069Fh		
SZCFG0	Res	FRE	IPRE	IPST	Res	BW	WBR	BRE	HOLD	WAIT			F984h	Read/Write	069Fh		
SZCFG1	Res	FRE	IPRE	IPST	Res	BW	WBR	BRE	HOLD	WAIT			F988h	Read/Write	069Fh		

Configuration	7	6	5	4	3	2	1	0	Register Address	Access Type	Value After Reset
MCFG	Reserved		CLKOE	EXIOE	EXMA15	EXM16	SHMEM	SHOFF	FF10h	Read/Write	00h
PAGE	Reserved				PAGE18	PAGE17	PAGE16	FF12h	Read/Write	00h	
STRPST	Reserved				HDEN	HRMS	SHBM	FF14h	Read only		

DAC	7	6	5	4	3	2	1	0	Register Address	Access Type	Value After Reset
DACCTRL	Reserved				DACEN3	DACEN2	DACEN1	DACEN0	FF40h	Read/write	00h
DACDAT0	DAC DATA 0								FF42h	Read/write	
DACDAT1	DAC DATA 1								FF44h	Read/write	
DACDAT2	DAC DATA 2								FF46h	Read/write	
DACDAT3	DAC DATA 3								FF48h	Read/write	

Dev System Support	7	6	5	4	3	2	1	0	Register Address	Access Type	Value After Reset
DBGCFG	Reserved						FREEZE	ON	FF16h	Read/Write	00h
DBGFRZEN	Reserved						ACBFEN	MFT16FEN	FF16h	Read/Write	00h

GPIO Ports	15	8	7	6	5	4	3	2	1	0	Register Address	Access Type	Value After Reset
PADIR	Res	PA Port Direction									FE40h	Read/Write	00h
PADIN	Res	PA Port Input Data									FE42h	Read Only	
PADOUT	Res	PA Port Output Data									FE44h	Read/Write	00h
PAWPU	Res	PA Port Weak Pull-up Enable									FE46h	Read/Write	00h
PBDIR	Res	PB Port Direction									FE48h	Read/Write	20h
PBDIN	Res	PB Port Input Data									FE4Ah	Read Only	
PBDOUT	Res	PB Port Output Data									FE4Ch	Read/Write	20h
PBWPU	Res	PB Port Weak Pull-up Enable									FE4Eh	Read/Write	00h
PBALT	PBALT.7		1	0	PB Pins Alternate Function Enable					FE50h	Read/Write	40h	
PCDIR	Res	PC Port Direction									FE52h	Read/Write	00h
PCDIN	Res	PC Port Input Data									FE54h	Read Only	
PCDOUT	Res	PC Port Output Data									FE56h	Read/Write	00h
PCWPU	Res	PC Port Weak Pull-up Enable									FE58h	Read/Write	00h
PCALT	Res	PC Pins Alternate Function Enable									FE5Ah	Read/Write	00h
PDDIN	Res	PD Port Input Data									FE5Ch	Read Only	
PDALT	Res	PD Pins Alternate Function Enable									FE5Eh	Read/Write	00h
PEDIR	Reserved							PE Port Direction			FE60h	Read/Write	00h
PEDIN	Reserved							PE Port Input Data			FE62h	Read Only	
PEDOUT	Reserved							PE Port Output Data			FE64h	Read/Write	00h
PEWPU	Reserved							PE Port Weak Pull-up Enable			FE66h	Read/Write	00h
PEALT	Reserved							PE Pins Alternate Function Enable			FE68h	Read/Write	00h
KBSDIN	Res	KBSIN Data									FE6Ah	Read Only	
KBSINPU	Res	KBSIN Weak Pull-up Enable									FE6Ch	Read/Write	00h
KBSOUT	KBSOUT Data									FE6Eh	Read/Write	FFFFh	

GPIO Ports (Cont'd)	15	8	7	6	5	4	3	2	1	0	Register Address	Access Type	Value After Reset
PFDIR	Res	PF Port Direction									FB00h	Read/Write	00h
PFDIN	Res	PF Port Input Data									FB02h	Read Only	
PFDOUT	Res	PF Port Output Data									FB04h	Read/Write	00h
PGDIR	Reserved				PG Port Direction						FB06h	Read/Write	00h
PGDIN	Reserved				PG Port Input Data						FB08h	Read Only	
PGDOUT	Reserved				PG Port Output Data						FB0Ah	Read/Write	00h
PHDIR	Reserved			PH Port Direction						FB0Ch	Read/Write	00h	
PHDIN	Reserved			PH Port Input Data						FB0Eh	Read Only		
PHDOUT	Reserved			PH Port Output Data						FB10h	Read/Write	00h	

HFCG	7	6	5	4	3	2	1	0	Register Address	Access Type	Value After Reset	
HFCGCTRL	Reserved			IVLID	OHFC	ENABLE	FAST	LOAD	FFA0h	Read/Write	0Ch	
HFCGML	HFCGM[7-0]									FFA2h	Read/Write	C5h
HFCGMH	Reserved		HFCGM[13-8]						FFA4h	Read/Write	04h	
HFCGN	Reserved			HFCGN[4-0]					FFA6h	Read/Write	0Ah	
HFCGIL	HFCGI[7-0]									FFA8h	Read/Write	
HFCGIH	Reserved		HFCGI[13-8]						FFAAh	Read/Write		

Host Interface	7	6	5	4	3	2	1	0	Register Address	Access Type	Value After Reset
CST1	Reserved			HMRA	HPWRONB	RTCLV	RTCMR	LKRTCHA	F900h	Read/Write	00h
CST2	Reserved				APCOFFE	HCFGLK	VHCFGA	HRSTOB	F902h	Read/Write	00h
RTCCA	RTC address[7:0]								F904h	Read/Write	
RTCCD	RTC data[7:0]								F906h	Read/Write	
HCFGBAL	Host PnP address Low								F908h	Read/Write	
HCFGBAH	Host PnP address High								F90Ah	Read/Write	
HICTRL	Reserved	PMICIE	PMECIE	PMHIE	IBFCIE	OBECIE	OBFMIE	OBFKIE	FEA0h	Read/Write	00h
HIIRQC	PSPE	IRQNPOL	IRQM			IRQ11B	IRQ12B	IRQ1B	FEA2h	Read/Write	07h
HIKMST	ST3	ST2	ST1	ST0	A2	F0	IBF	OBF	FEA4h	Read/Write	00h
HIKDO	Keyboard Channel DBBOUT Data								FEA6h	Write Only	
HIMDO	Mouse Channel DBBOUT Data								FEA8h	Write Only	
HIKMDI	Keyboard/Mouse Channel DBBIN Data								FEAAh	Read Only	
HIPMST	ST3	ST2	ST1	ST0	A2	F0	IBF	OBF	FEACh	Read/Write	00h
HIPMDO	PM Channel DBBOUT Data								FEAEh	Write Only	
HIPMDI	PM Channel DBBIN Data								FEB0h	Read Only	

ICU	15	8	7	6	5	4	3	2	1	0	Register Address	Access Type	Value After Reset
IVCT	Reserved										FE00h	Read Only	20h
IELTG	INT15-8		INT7	INT6	INT5	INT4	INT3	INT2	INT1	INT0	FE04h	Read/Write	
ITRPL	INT15-8		INT7	INT6	INT5	INT4	INT3	INT2	INT1	INT0	FE06h	Read/Write	
IPEND	INT15-8		INT7	INT6	INT5	INT4	INT3	INT2	INT1	INT0	FE08h	Read Only	
IENAM	INT15-8		INT7	INT6	INT5	INT4	INT3	INT2	INT1	INT0	FE0Ah	Read/Write	0000h
IECLR	INT15-8		INT7	INT6	INT5	INT4	INT3	INT2	INT1	INT0	FE0Ch	Write Only	
NMISTAT	Reserved									PFAIL	FE10h	Read Only	00h
PFAIL	Reserved								Pln	EN	FE12h	Read/Write	00h

MFT16	15	8	7	6	5	4	3	2	1	0	Register Address	Access Type	Value After Reset
TCNT1	TCNT1										FEC0h	Read/Write	
TCRA	TCRA										FEC2h	Read/Write	
TCRB	TCRB										FEC4h	Read/Write	
TCNT2	TCNT2										FEC6h	Read/Write	
TPRSC	Reserved					CLKPS					FEC8h	Read/Write	00h
TCKC	Reserved			C2CSEL				C1CSEL			FECAh	Read/Write	00h
TCTRL	Reserved		TAOUT	TBEN	TAEN	TBEDG	TAEDG	MDSEL			FECCh	Read/Write	00h
TICTL	TDIEN		TCIEN	TBIEN	TAIEN	TDPND	TCPND	TBPND	TAPND		FECEh	Read/Write	00h
TICLR	Reserved					TDCLR	TCCLR	TBCLR	TACL		FED0h	Read/Write	00h

MIWU	7	6	5	4	3	2	1	0	Register Address	Access Type	Value After Reset
WKEDG1	WKED17	WKED16	WKED15	WKED14	WKED13	WKED12	WKED11	WKED10	FFC0h	Read/Write	00h
WKEDG2	WKED27	WKED26	WKED25	WKED24	WKED23	WKED22	WKED21	WKED20	FFC2h	Read/Write	00h
WKEDG3	WKED37	WKED36	WKED35	WKED34	WKED33	WKED32	WKED31	WKED30	FFC4h	Read/Write	00h
WKPND1	WKPD17	WKPD16	WKPD15	WKPD14	WKPD13	WKPD12	WKPD11	WKPD10	FFC6h	Read/Set	00h
WKPCL1	WKCL17	WKCL16	WKCL15	WKCL14	WKCL13	WKCL12	WKCL11	WKCL10	FFC8h	Write Only	xxh
WKPND2	WKPD27	WKPD26	WKPD25	WKPD24	WKPD23	WKPD22	WKPD21	WKPD20	FFCAh	Read/Set	00h
WKPCL2	WKCL27	WKCL26	WKCL25	WKCL24	WKCL23	WKCL22	WKCL21	WKCL20	FFCCh	Write Only	xxh
WKPND3	WKPD37	WKPD36	WKPD35	WKPD34	WKPD33	WKPD32	WKPD31	WKPD30	FFCEh	Read/Set	00h
WKPCL3	WKCL37	WKCL36	WKCL35	WKCL34	WKCL33	WKCL32	WKCL31	WKCL30	FFD0h	Write Only	xxh
WKEN1	WKEN17	WKEN16	WKEN15	WKEN14	WKEN13	WKEN12	WKEN11	WKEN10	FFD2h	Read/Write	00h
WKEN2	WKEN27	WKEN26	WKEN25	WKEN24	WKEN23	WKEN22	WKEN21	WKEN20	FFD4h	Read/Write	00h
WKEN3	WKEN37	WKEN36	WKEN35	WKEN34	WKEN33	WKEN32	WKEN31	WKEN30	FFD6h	Read/Write	00h

PMC	7	6	5	4	3	2	1	0	Register Address	Access Type	Value After Reset
PMCSR	Reserved		EIM	Reserved		IDLE	DHF	Res	FF80h	Read/Write	00h

PS/2 Interface	7	6	5	4	3	2	1	0	Register Address	Access Type	Value After Reset
PSDAT	Data								FE80h	Read/Write	
PSTAT	Reserved	RFERR	ACH			PERR	EOT	SOT	FE82h	Read Only	00h
PSCON	WPUEN	IDB			HDRV		XMT	EN	FE84h	Read/Write	00h
PSOSIG	Reserved		CLK3	CLK2	CLK1	WDAT3	WDAT2	WDAT1	FE86h	Read/Write	07h
PSISIG	Reserved		RCLK3	RCLK2	RCLK1	RDAT3	RDAT2	RDAT1	FE88h	Read Only	
PSIEN	Reserved					DSMIE	EOTIE	SOTIE	FE8Ah	Read/Write	00h

TWD	7	6	5	4	3	2	1	0	Register Address	Access Type	Value After Reset
TWCFG	Reserved		WSDME	WDCT0I	LWDCNT	LTWDT0	LTWCP	LTWCFG	FEE0h	Read/Write	00h
TWCP	Reserved					MDIV			FEE2h	Read/Write	00h
TWDT0	PRESET								FEE4h	Read/Write	FFFFh
T0CSR	Reserved						TC	RST	FEE6h	Read/Write	00h
WDCNT	PRESET								FEE8h	Write only	0Fh
WSDSM	RSTDATA								FEEAh	Write only	

B. Bootloader Description

B.1 OVERVIEW

The bootloader program resides in the 2K on-chip ROM of the PC87570. It provides for an orderly transfer to the BIOS program, which resides in off-chip Flash, after power-up or reset. The bootloader program reads the configuration and strap pin settings after reset, and combines this information with the BIOS configuration block settings to determine in which mode to set the PC87570 to access the External Memory. A number of External Memory tests (one of which may be user-defined) are performed to verify that the BIOS Flash is not corrupt and that control is passed to the Keyboard BIOS program. If the BIOS is corrupt, the bootloader program accepts commands from the secondary host interface (64h), which can assist the main processor in reloading the BIOS Flash memory.

B.2 CONFIGURATION BLOCKS

The External Memory has two configuration blocks: the System Configuration Block and the Keyboard Controller (KBC) Header.

B.2.1 System Configuration Block

The System Configuration Block is used to help set up the PC87570 for hardware implementation (including all memory zone access times, and the size and width of the External Memory) and with system information (including signature and a pointer to the KBC Header). It resides at absolute address 0004h - 001Fh of the External Memory. The System Configuration Block definitions are:

- 4 Signature byte set to E3h
- 5 Signature byte set to 8Eh
- 6 Signature byte set to 1Ch (complement of first signature byte)
- 7 Signature byte set to 71h (complement of second signature byte)
- 8 Length of System Configuration Block set to 22 (16h)
- 9 Reserved
- 10 Page Register
- 12 Pointer to start of KBC Header (2 bytes, absolute address)
- 14 Module Configuration Register (MCFG), only CLKOE, EXIOE & A15E bits are used. Other bits are set by the bootloader according to the strap options (only TEST is set directly by the strap option)
- 16 BIU Configuration Register (BCFG)
- 18 IO Zone Configuration Register (IOCFG)
- 20 Static Zone Configuration Register 0 (SZCFG0), BW set by configuration pin PH.3
- 22 Base Memory (Boot ROM) Configuration Register 1 (SZCFG1), BW always set to 16-bit wide bus
- 24 PE Pins Alternate Function Enable Register (PEALT)
- 26 - 31 Reserved

Even though some configuration registers are only a single byte wide, 16 bits have been reserved for each entry.

The bootloader does not perform a checksum of the System Configuration Block. This means that you can change the system configuration, by altering the configuration register settings in the block, to serve as a debugging aid or to enable you to use different components (faster or slower memory).

B.2.2 KBC Header

The KBC Header includes the following code dependent information: size, checksum and pointers to various KBC routines. Typically, it is located immediately before the KBC BIOS, but it may exist anywhere in External Memory. The KBC Header definitions are:

- 0 Signature byte set to 33h
- 1 Signature byte set to CCh
- 2 KBC BIOS size (not including this header)
- 3 Byte to force checksum = 0 (checksum is done on KBC code and header, not System Configuration Block)
- 4 Pointer to user-defined OEM_Detect_Crisis routine/label within BIOS code (code label, not absolute address, where FFFFh signifies that this routine/label is not implemented)
- 6 Pointer to KBC BIOS entry point

A valid header has a code size that is non-zero and non-FFh to protect against a block of zero bytes passing checksum. The code size has a granularity of 256 bytes allowing a maximum size of 64K bytes (actual code size is limited to 56K bytes). Pointers to code stored in the header are code labels generated by the compiler and assembler. To calculate the actual physical address from the code label, simply shift the code label one bit to the left to obtain the physical address. To ensure that the checksum tests all the BIOS, be sure that the KBC Header is at the lowest physical address (preferably, immediately after the System Configuration Block). The OEM_Detect_Crisis routine is intended to perform more extensive testing on the BIOS Flash than possible in a simple bootloader program. It can, however, be used for other initialization and system configuration purposes by strap pins.

Note: Zero all unused memory included in the checksum area to avoid checksum errors.

B.3 SYSTEM RESOURCES USED BY BOOTLOADER

In developing the bootloader, every effort has been made to minimize the resources it uses and maximize the PC87570 features available to the user.

B.3.1 GPIO Pins

GPIO pins are used as an External Memory memory bus width configuration strap and to indicate Flash memory failure. The definitions are shown in the following table.

Name	Type	Pin No.		Definition
		176-Pin TQFP	160-Pin PQFP	
PH.3	Input	101	91	0=8-bit External Memory bus 1=16-bit External Memory bus
PC.0	Output	61	55	0=Accepts only limited commands on port 64h during EXT_Mem_Fail routine 1=Bootload successful

B.3.2 On-Chip RAM

On-chip RAM is used for variable storage, interrupt dispatch table and stack usage. The addresses used are:

- F000h - F00Fh variables (16 bytes)
- F010h - F06Fh Interrupt Dispatch Table (96 bytes)
- F070h - F3BFh User-assignable
- F3C0h - F3DFh Interrupt Stack (32 bytes)
- F3E0h - F3FFh Program Stack (32 bytes)

B.4 BOOTLOADER PROGRAM OPERATION

Begin Bootload

If MCFG.6 = 1 (Test Mode)

If PH.3 = 1 (16-bit wide bus)

set MCFG.EXM16 (configure MCFG Register for 16-bit bus, SZCFG0.BW = 1 after reset)

Else reset SZCFG0.BW (configure for 8-bit bus, MCFG.EXM16 = 0 after reset)

Jump PC+0x10000 (jump to upper copy of this program)

Set MCFG.SHOFF (turn off Base Memory Shadow which allows access to external memory)

Jump 0 (go to external test routine at address 0 of external memory)

Else (Not in Test Mode)

Reset PSR (clear Program Status Register)

Set DBGCFG.ON (enables debug of boot code when using an ICE)

Jump PC+0x10000 (jump to upper copy of this program)

Initialize SP & ISP (see RAM memory map)

Copy Dispatch Table from this ROM into RAM (RAM address F010 to F06F, 96 bytes)

Initialize INTBASE to point to the Dispatch Table

Set MCFG.SHOFF (turn off Base Memory Shadow which allows access to external memory)

If PH.3 = 1 (16-bit wide bus)

Set MCFG.EXM16 (configure MCFG Register for 16-bit bus, SZCFG0.BW = 1 after reset)

Else reset SZCFG0.BW (configure for 8-bit bus, MCFG.EXM16 = 0 after reset)

If STRPST.SHBM = 1 (read Strap Register, Shared BIOS Memory bit)

Set PEALT.1 (Enable A18 External Address Line)

Set MCFG.A15E (A15 External Address Line Enable)

If the four signature bytes in the external memory configuration block are not valid, jump to Config_Mem_Fail

Get address of KBC header

Initialize configuration registers

Copy MCFG data from Config Block into MCFG Register (only CLKOE, EXIOE & EXMA15 bits are copied)

Copy SZCGF0 value from Config Block into SZCFG0 Register (BW bit is not copied)

Copy SZCGF1 value from Config Block into SZCFG1 Register (BW bit is set, Zone 1 always 16-bit wide)

Copy IOCFG value from Config Block into IOCFG Register

Copy BCFG value from Config Block into BCFG Register

Copy PEALT value from Config Block into PEALT Register

Copy Page value from Config Block into Page Register (External memory access now restricted to KBC code)

If STRPST.SHBM = 1 (read Strap Register, Shared BIOS Memory bit)
 Set MCFG.SHMEM (Enable Shared BIOS Memory access)
 If KBC Header Signature not valid or KBC code size equal 0
 Jump to KBC_Mem_Fail (bytes 0 & 1 = signature, byte 2 = size)
 If Checksum of KBC code not valid
 Jump to KBC_Mem_Fail
 If OEM_Detect_Crisis Address = FFFFh
 Jump to KBC code entry (OEM_Detect_Crisis Address is byte 4 in KBC Header, Start of KBC code is byte 2 of KBC Header)
 Else Jump to OEM_Detect_Crisis routine
 OEM_Detect_Crisis routine resides in external memory and must:

1. Save RA register on entry and use its contents as a return address
2. Preserve all configuration registers xxCFG
3. Preserve Boot Program variables in RAM F000h - F0010h
4. Return with Interrupts disabled: PFAIL.EN=0, PSR.I=0
5. Return with PSR.Z = 1 if NO crisis detected

Note: It is OK for the OEM_Detect_Crisis routine to destroy stacks and interrupt dispatch table
 If PSR.Z = 1 Jump to KBC code entry (Start of KBC code is byte 2 of KBC Header)
 Else Jump to OEM_Mem_Fail (handle Crisis as if it were an external memory failure)

Config_Mem_Fail (come here if Configuration Block Signature is not valid)

Jump to EXT_Mem_Fail

OEM_Mem_Fail

Set OEM Failure Flag & Jump to EXT_Mem_Fail

KBC_Mem_Fail

Set KBC Failure Flag & Jump to EXT_Mem_Fail

EXT_Mem_Fail

Stacks & Dispatch table is restored (may have been modified by OEM_Detect_Crisis routine), Host Interface is turned on, registers are initialized and program goes into a loop awaiting system input on the host interface, port 64h (port 60h is read only because commands to the keyboard are not supported).

Commands:

90h Load RAM

Command 90h gets 4 byte of System Data: RAM address LOW, HIGH and Data array length LOW,HIGH and then receives and loads number of bytes specified by length into the controller RAM. Ack FAh is returned to the System if address range for Program execution was not violated. Otherwise error FFh is returned.

91h Execute

Command 91h gets 2 byte of System Data: code-label LOW, HIGH and transfer control the specified address. The return addresses (passed in RAMAckRET and RAMErrRET variables) may be used by invoked routine to notify the System.

92h Read Boot Status

Read Boot Status and combine it with Power Fail flag.

AAh Self Test

Since external KBC memory failure was detected, report error code FFh.

D0h, D1H Read/Write GA20

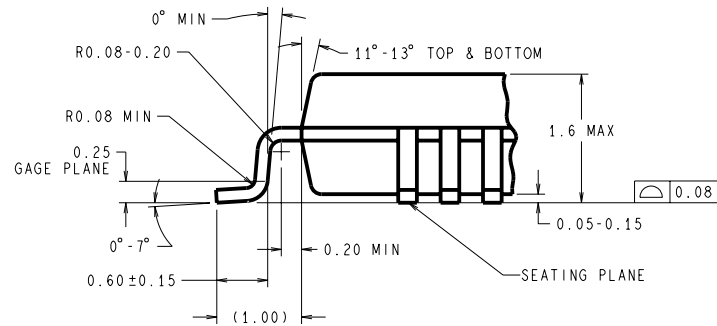
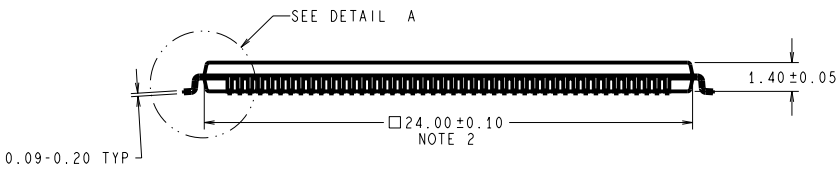
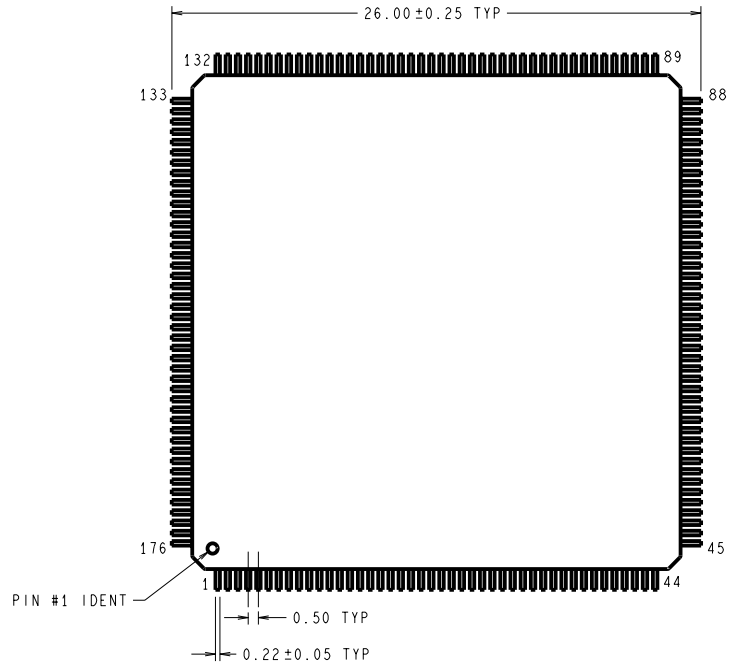
D0h - Combine actual GateA20 state with emulated 8042 output port and send data to system.

D1h - Only set/reset GateA20 line based on the system data bit 1.

Physical Dimensions

All dimensions are in millimeters.

**176-pin Thin Quad Flatpack (TQFP)
Order Number PC87570-ICC/VPC
NS Package Number VPC176**



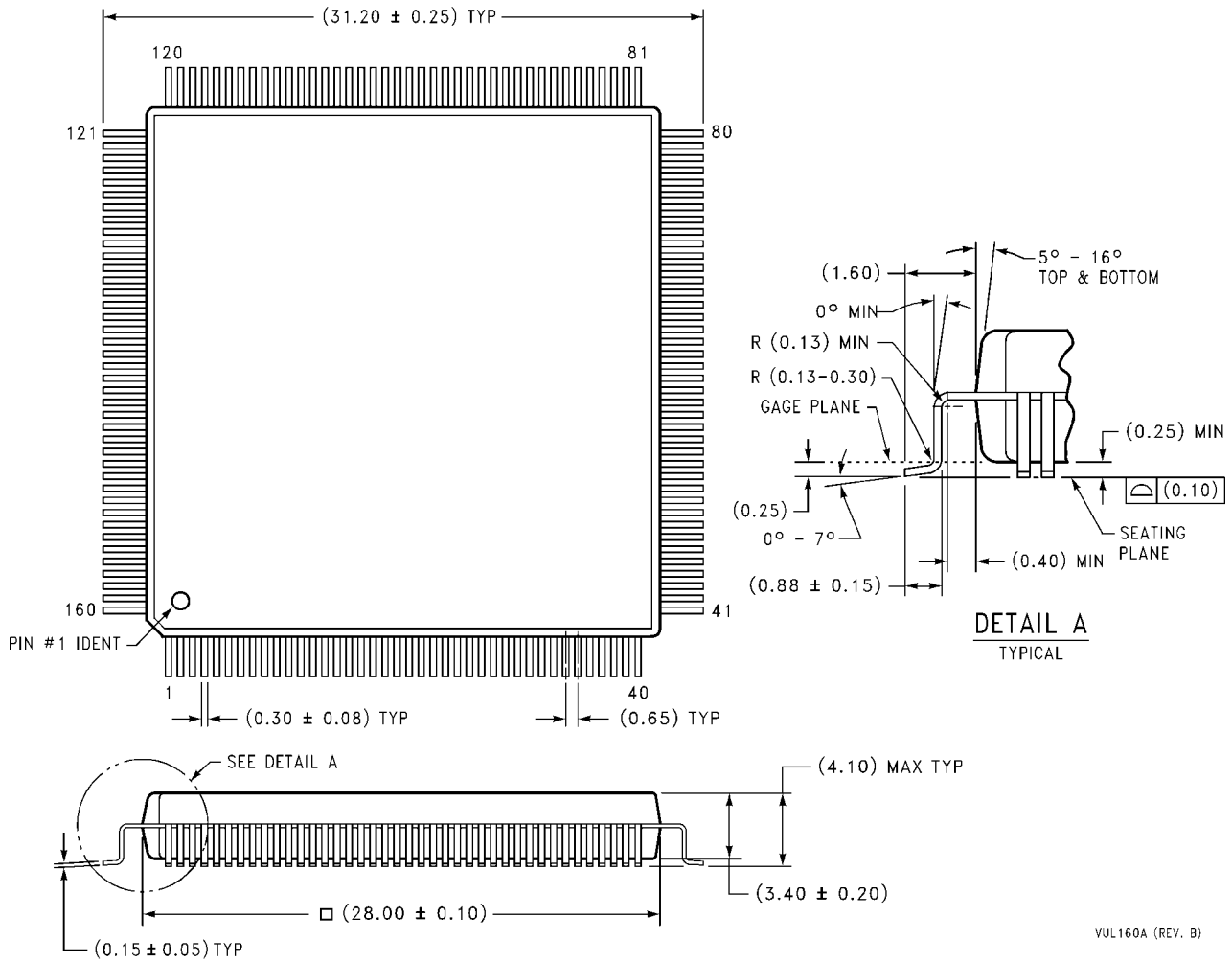
DETAIL A
SCALE: 25X

NOTES: UNLESS OTHERWISE SPECIFIED

1. STANDARD LEAD FINISH:
7.62 MICROMETERS MINIMUM SOLDER PLATING (85/15)
THICKNESS ON COPPER.
2. DIMENSION DOES NOT INCLUDE MOLD PROTRUSION,
MAXIMUM ALLOWABLE MOLD PROTRUSION 0.25mm PER SIDE.
3. REFERENCE JEDEC REGISTRATION MO-136, VARIATION BV,
DATED 10/93.

Physical Dimensions

All dimensions are in millimeters.



VUL160A (REV. B)

160-pin PQFP Package
Order Number PC87570-ICC/VUL
NS Package Number VUL160

LIFE SUPPORT POLICY

NATIONAL'S PRODUCTS ARE NOT AUTHORIZED FOR USE AS CRITICAL COMPONENTS IN LIFE SUPPORT DEVICES OR SYSTEMS WITHOUT THE EXPRESS WRITTEN APPROVAL OF THE PRESIDENT OF NATIONAL SEMICONDUCTOR CORPORATION. As used herein:

1. Life support devices or systems are devices or systems which, (a) are intended for surgical implant into the body, or (b) support or sustain life, and whose failure to perform, when properly used in accordance with instructions for use provided in the labeling, can be reasonably expected to result in a significant injury to the user.
2. A critical component is any component of a life support device or system whose failure to perform can be reasonably expected to cause the failure of the life support device or system, or to affect its safety or effectiveness.



National Semiconductor Corporation
 Fax: 1-800-737-7018
 Email: support@nsc.com
 Tel: 1-800-272-9959

National Semiconductor Europe
 Fax: (+49) 0-180-530 85 86
 Email: europe.support@nsc.com
 Deutsch Tel: (+49) 0-180-530 85 85
 English Tel: (+49) 0-180-532 78 32

National Semiconductor Asia Pacific Customer Response Group
 Fax: 65-250-4466
 Email: sea.support@nsc.com
 Tel: 65-254-4466

National Semiconductor Japan Ltd.
 Fax: 81-3-5620-6179
 Tel: 81-3-5620-6175

www.national.com