

FEATURES

1. Useful for many applications
2. Ease of maintenance -100,000-hour life expectancy
3. Long lasting energy savings-low power consumption
4. Operation individually or seamlessly link together forming one continuous strip of light
5. Colors Available-Red, Green, Blue, Amber, White

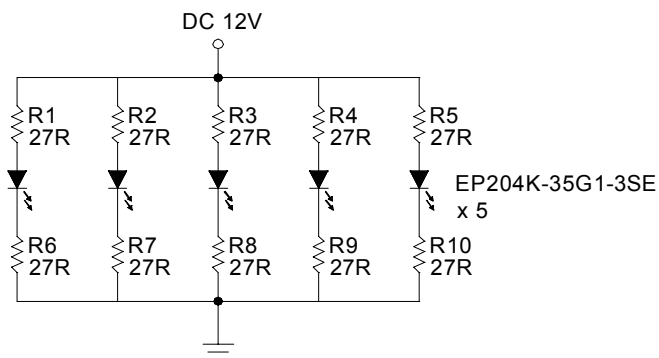
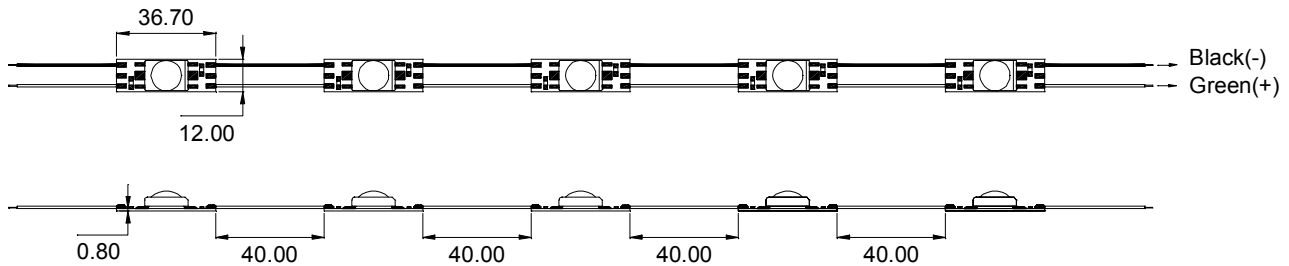
Absolute Maximum Ratings

PARAMETER	GREEN	UNITS
Power Dissipation	2.1	W
Operation & Storage Temperature Range	-20 to +75	°C
Operation Current	175	mA

Optical Characteristics at 175mA Junction Temperature, T_j = 25°C

Device Type	Input Voltage @ IF=175mA(Volts)	Total Flux φ _v (175mA)	Wavelength λ _p	Δλ 1/2	Viewing Angle 2θ _{1/2} (Degrees)
Unit	Typ.	Typ.(lm)	Typ.(nm)	nm	Typ.
LS1255-175G212	12V	12.0	525	30	100°

Outline Drawings



- NOTE :**
1. All dimensions are in millimeters.
 2. Tolerance is ±0.25mm unless otherwise specified.
 3. This specification is subject to change without notice.