

LS1155-525W305

FEATURES

Conventional LED design : Simple to use.

High Flux and Low Cost : More competitive advantages in the LED industry.

Special body frame : Excellent transiting heat from LED chip operating under 750mA.

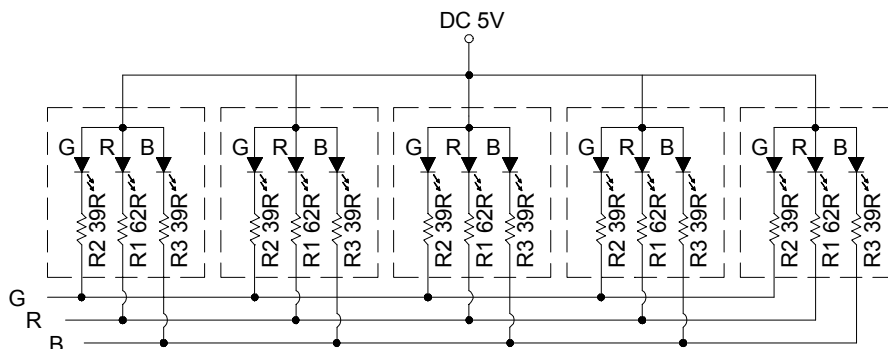
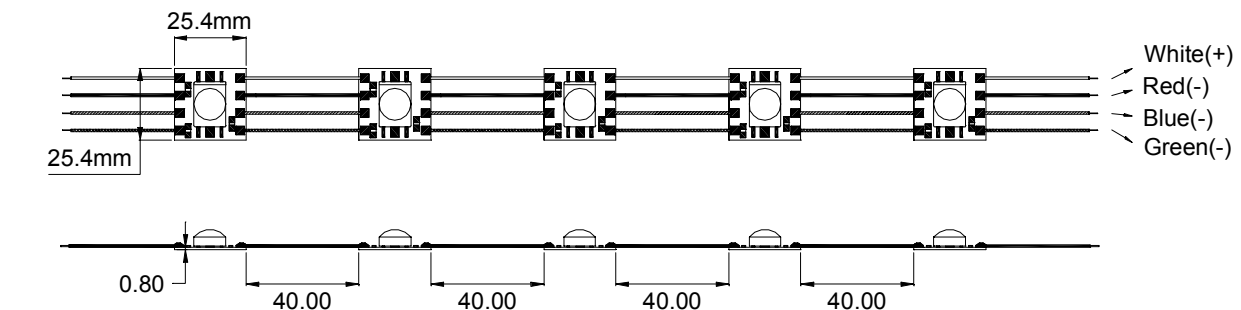
Absolute Maximum Ratings

PARAMETER	RED	GREEN	BLUE	UNITS
Power Dissipation	1.25	1.25	1.25	W
Operation & Storage Temperature Range	-20 to +75	-20 to +75	-20 to +75	°C
Operation Current (Max.)	250	250	250	mA

Optical Characteristics at 525mA Junction Temperature, T_j = 25°C

Device Type	Input Voltage @ IF=525mA(Volts)	Total Flux Φ _v (525mA)	Wavelength λ _p	Viewing Angle 2θ _{1/2} (Degrees)
Unit	Typ.	Typ.(lm)	Typ.(nm)	Typ.
LS1155-525W305	5V	4.5		100°

Outline Drawings



EP204K-35G1R1B1-CAD x 5



NOTE : 1. All dimensions are in millimeters.

2. Tolerance is ± 0.25 unless otherwise specified.

3. This specification is subject to change without notice.

e-mail : e-power@para.com.tw

<http://www.para.com.tw>