

LS1155-175B212

FEATURES

1. Useful for many applications
2. Ease of maintenance -100,000-hour life expectancy
3. Long lasting energy savings-low power consumption
4. Operation individually or seamlessly link together forming one continuous strip of light
5. Colors Available-Red, Green, Blue, Amber, White

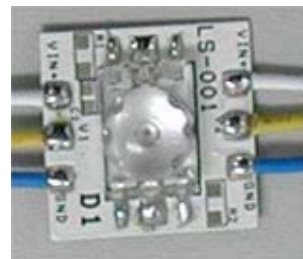
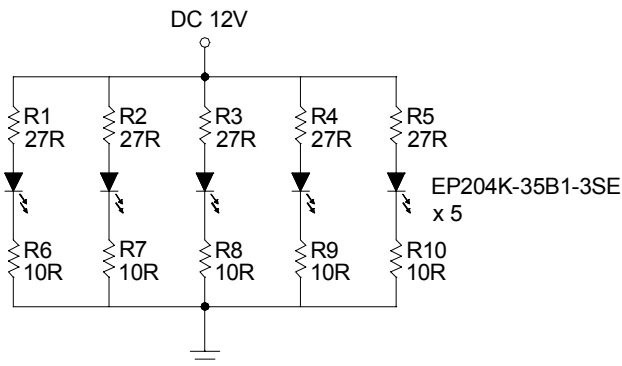
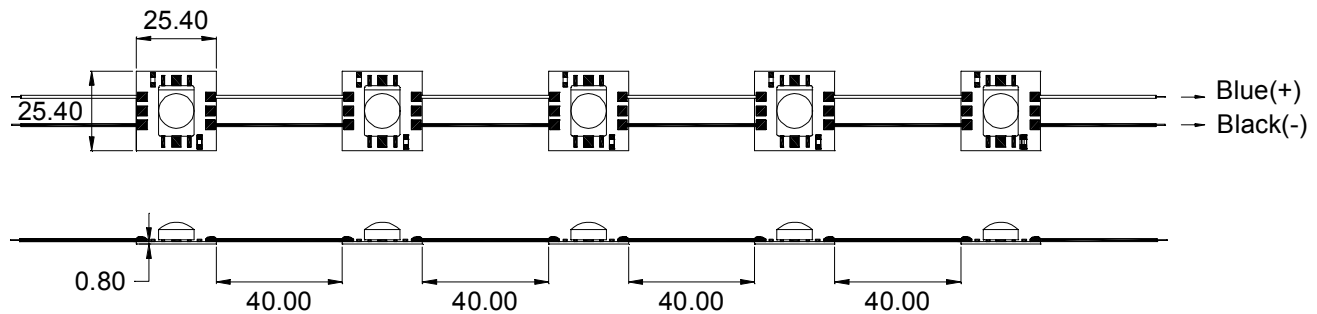
Absolute Maximum Ratings

PARAMETER	BLUE	UNITS
Power Dissipation	2.1	W
Operation & Storage Temperature Range	-20 to +75	°C
Operation Current	175	mA

Optical Characteristics at 175mA Junction Temperature, T_j = 25°C

Device Type	Input Voltage @ I _F =175mA (Volts)	Total Flux ϕ_v (175mA)	Wavelength λ_p	$\Delta\lambda$ 1/2	Viewing Angle $2\theta_{1/2}$ (Degrees)
Unit	Typ.	Typ.(lm)	Typ.(nm)	nm	Typ.
LS1155-175B212	12V	8.0	470	20	100°

Outline Drawings



- NOTE :**
1. All dimensions are in millimeters.
 2. Tolerance is ± 0.25 mm unless otherwise specified.
 3. This specification is subject to change without notice.