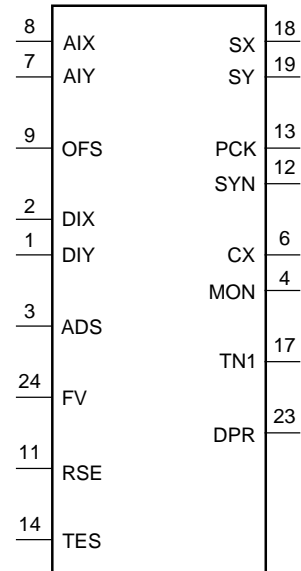
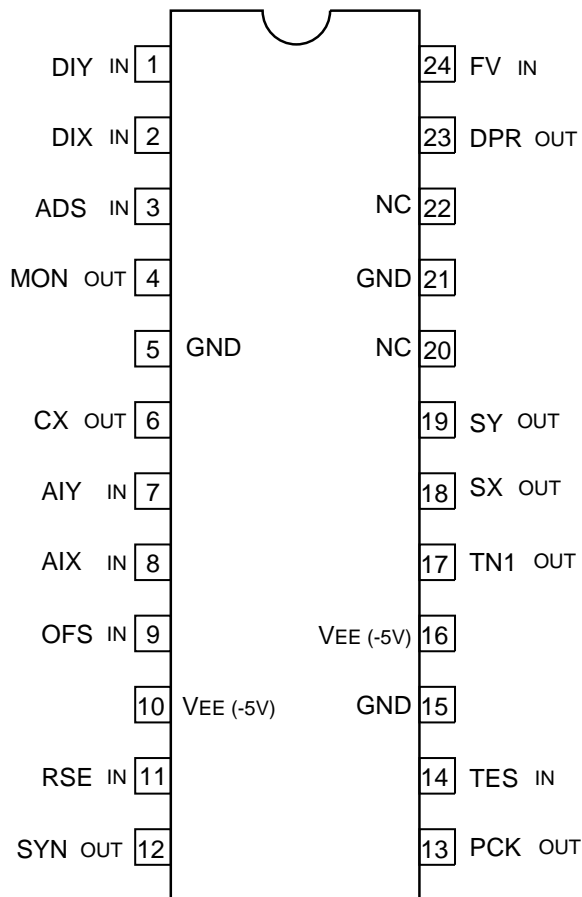

SERIAL DATA TRANSMISSION EQUALIZER AND RE-GENERATOR
—TOP VIEW—

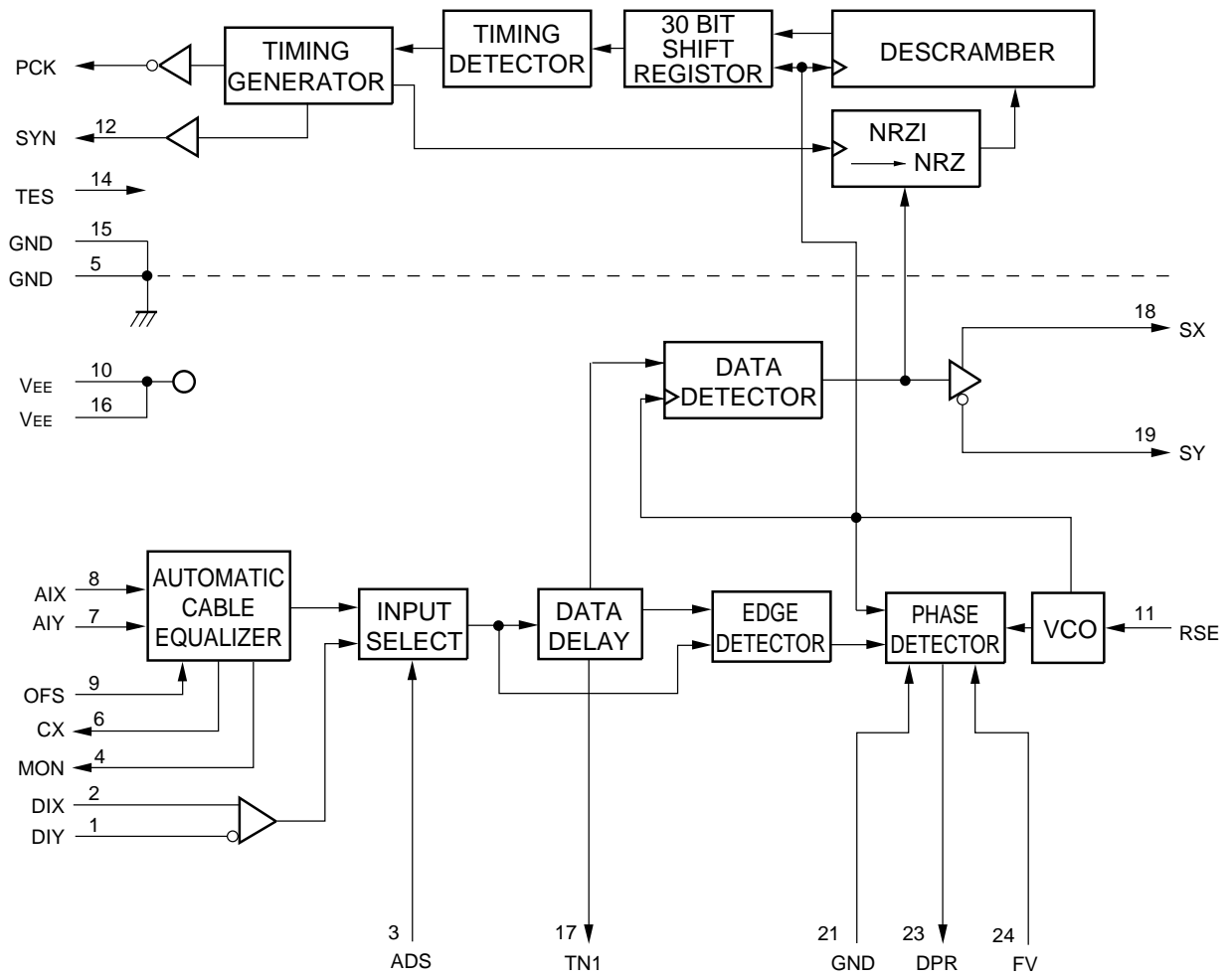


INPUT

- ADS ; AERIAL DATA SELECT
(H:DIGITAL, L:ANALOG)
- AIX, AIY ; EQUALIZER
- DIX, DIY ; SERIAL DATA
- FV ; VCO FREQ. ADJ.
- OFS ; AGC OFFSET ADJ.
- RSE ; VCO RANGE SELECT
(H:HIGH RANGE)
- TES ; TEST TERMINAL

OUTPUT

- CX ; EQUALIZER DETECT (L: NO INPUT)
- DPR ; SERIAL DATA DETECT (L:NO INPUT)
- MON ; EQUALIZER MONITOR
- PCK ; PARALLEL CLOCK
- SX, SY ; SERIAL DATA
- SYN ; TRS DETECT
- TN1 ; TEST TERMINAL



www.DataSheet.in