

# TPC-660G/662G

AMD LX800 Touch Panel  
Computer with 6.4" VGA  
TFT LCD Display

NEW



## Features

- AMD LX800 processor on board
- 6.4" TFT LCD
- Super slim and compact design with plastic housing
- Fanless cooling system
- NEMA4/IP65 compliant front panel
- One CompactFlash® slot
- Automatic data flow control RS-485
- Supports Windows® XP/CE and WinXPe
- CAN-bus 2.0B protocol compatibility (TPC-662G)

## Introduction

The TPC-660G/662G models are compact platforms without redundant functions, which have been designed for small-sized operator interface applications. The integration of a fanless kernel, touchscreen and non-volatile storage makes this machine a reliable solution for industrial environments. The 8-bit PC/104 expansion slot provides a dependable and convenient way to add-on functions. Common PC/104 cards for a variety of applications can fit in the TPC-660G/662G.

## Specifications

### General

- **Certifications** BSMI, CCC, CE, FCC, UL
- **Cooling System** Fanless design
- **Dimensions (W x H x D)** 195 x 148 x 44.4 mm (7.68" x 5.83" x 1.75")
- **Enclosure** ABS and ABS + PC
- **Mounting** Panel
- **OS Support** Windows XP/CE and WinXPe
- **Power Consumption** 43.52 W
- **Power Input** 18 ~ 32 V<sub>DC</sub>
- **Watchdog Timer** Programmable as 250 ms, 500 ms, 1 second
- **Weight (Net)** 0.8 kg (1.76 lb)

### System Hardware

- **Audio Ports** 1 x Line-out, 1 x Microphone (TPC-660G)
- **CPU** AMD LX800 500 MHZ
- **Expansion Slots** 1 x CompactFlash® slot  
1 x PC/104
- **Graphics Controller** AMD LX800 (Internal)
- **Keyboard/Mouse Ports** 1 x PS/2
- **LAN** 1 x 10/100Base-T
- **Memory** 256 MB DDR SDRAM (up to 1 GB DDR SDRAM)
- **Serial Ports** 1 x RS-232  
1 x RS-232/422/485 (TPC-660G)  
1 x Isolated CAN 2.0B interface (TPC-662G, WinCE5.0)  
CAN Controller: SJA-1000  
CAN Transceiver: 82C250
- **Storage** 1 x CompactFlash card (optional)
- **USB Ports** 2 x USB 2.0

### LCD Display

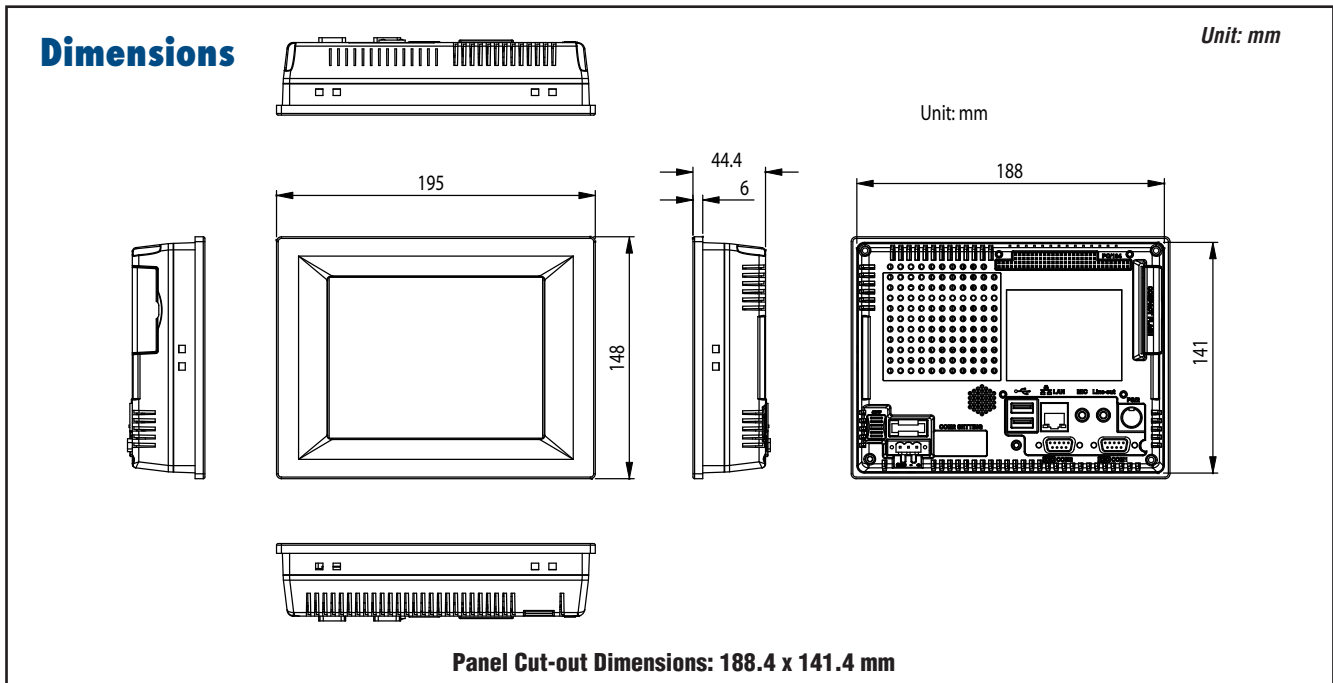
- **Backlight Life** 20,000 hrs
- **Contrast Ratio** 180:1
- **Display Size** 6.4"
- **Display Type** TFT LCD
- **Luminance (cd/m<sup>2</sup>)** 150
- **Max. Colors** 262 K
- **Max. Resolution** 640 x 480
- **Viewing Angle (H/V)** 90/50

### Touchscreen

- **Lifespan** 10 millions times with a silicone rubber of 8 mm diameter finger
- **Light Transmission** Above 75%
- **Resolution** 1024 x 1024
- **Type** 4-wire, analog resistive

### Environment

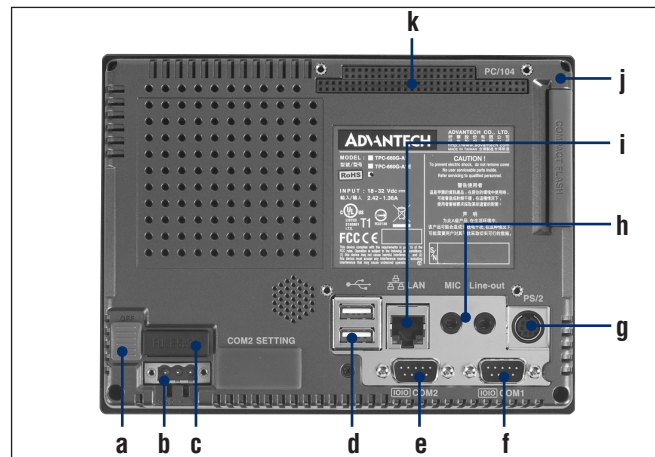
- **Humidity** 10 ~ 95% RH @ 40° C, non-condensing
- **Ingress Protection** Front panel: NEMA4, IP65
- **Operating Temperature** 0 ~ 50° C (32 ~ 122° F)
- **Storage Temperature** -20 ~ 70° C (-4 ~ 158° F)
- **Vibration Protection** 1 Grms (Random, Operating)



### Ordering Information

- **TPC-660G-B1E** 6.4" TFT LCD Display TPC with AMD LX800 500 MHz and 256 MB DDR SDRAM
- **TPC-662G-B1E** TPC-660G-B1E with CAN-Bus support (WinCE 5.0)

### Rear View



- a. Power
- b. Power Receptor
- c. Fuse
- d. USB 2.0
- e. COM2 (RS232/422/485) for TPC-660G  
COM2 (CAN Port) for TPC-662G
- f. COM1 (RS232)
- g. PS/2
- h. Audio (MIC, Line-out) for TPC-660G
- i. 10/100Mb LAN
- j. CompactFlash
- k. PC/104