

# SP4T Reflective Switch with TTL Compatible Driver, 0.5 to 18.0 GHz

V 1.00

MASWML0025

## Features

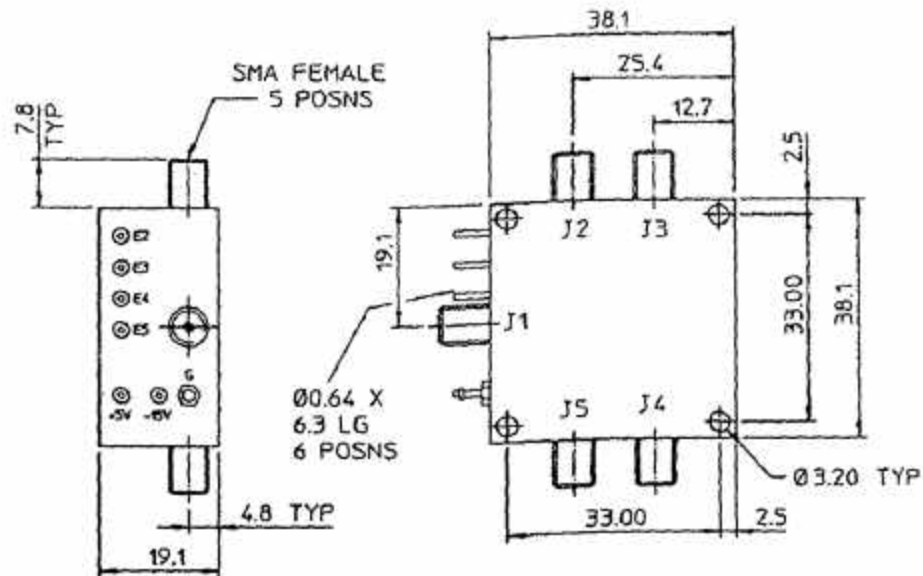
- Broad Band Frequency
- SMA Connectors
- Hermetically Sealed Housing
- High Isolation
- TTL Compatible

## Other Mechanical

SMA Female connectors for RF ports and Solder pins for TTL & DC connections. This device is painted with black epoxy finish.

## Description

This SP4T non reflective switch offers high Isolation & Low Insertion. The switch has an integral TTL compatible driver with fast switching. It also consists of five independent TTL controls. This switch is supplied with SMA connectors. It is a proven design for harsh environments and is suitable for Airborne, Naval & Ground base applications.



## Electrical Performance

(Applies over the frequency range @ +25 °C, output load impedance of 50 ohms. Unless otherwise stated limits & conditions are indicated values.)

Type	Frequency (GHz)	I/Loss max (dB)	Isolation min (dB)	R/Loss min (dB)	S. Speed max (ns)	I/P Power max (mw)	Logic	Power Supply V & mA	Dimensions (Ex-Con) mm	Operating Temp °C	Storage Temp °C
SP4T	0.5 - 18.0	4.5	60	9.5	500 (100 typ)	100	Each ch. '0'=Insertion Loss TTL '1'=Isolation	+5 -15 180 50	38.1x32.1x19.1	-55 to +85	-55 to +125

M/A-COM Inc. and its affiliates reserve the right to make changes to the product(s) or information contained herein without notice.

Visit [www.macom.com](http://www.macom.com) for additional data sheets and product information.

- North America: Tel. (800) 366-2266
- Asia/Pacific: Tel.+81-44-844-8296, Fax +81-44-844-8298
- Europe: Tel.+44 (1908) 574 200, Fax+44 (1908) 574 300