

MM54HC190/MM74HC190 Synchronous Decade Up/Down Counters with Mode Control MM54HC191/MM74HC191 Synchronous Binary Up/Down Counters with Mode Control

General Description

These high speed synchronous counters utilize advanced silicon-gate CMOS technology. They possess the high noise immunity and low power consumption of CMOS technology, along with the speeds of low power Schottky TTL.

These circuits are synchronous, reversible, up/down counters. The MM54HC191/MM74HC191 are 4-bit binary counters and the MM54HC190/MM74HC190 are BCD counters. Synchronous operation is provided by having all flip-flops clocked simultaneously, so that the outputs change simultaneously when so instructed by the steering logic. This mode of operation eliminates the output counting spikes normally associated with asynchronous (ripple clock) counters.

The outputs of the four master-slave flip-flops are triggered on a low-to-high level transition of the clock input, if the enable input is low. A high at the enable input inhibits counting. The direction of the count is determined by the level of the down/up input. When low, the counter counts up and when high, it counts down.

These counters are fully programmable; that is, the outputs may be preset to either level by placing a low on the load input and entering the desired data at the data inputs. The output will change independent of the level of the clock input. This feature allows the counters to be used as modulo-

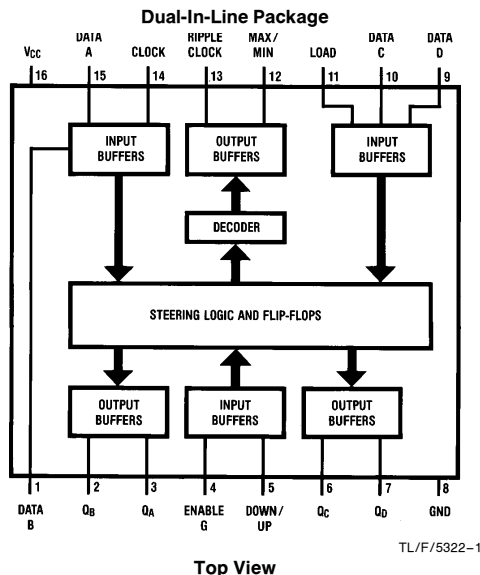
N dividers by simply modifying the count length with the preset inputs.

Two outputs have been made available to perform the cascading function: ripple clock and maximum/minimum count. The latter output produces a high-level output pulse with a duration approximately equal to one complete cycle of the clock when the counter overflows or underflows. The ripple clock output produces a low-level output pulse equal in width to the low-level portion of the clock input when an overflow or underflow condition exists. The counters can be easily cascaded by feeding the ripple clock output to the enable input of the succeeding counter if parallel clocking is used, or to the clock input if parallel enabling is used. The maximum/minimum count output can be used to accomplish look-ahead for high-speed operation.

Features

- Level changes on Enable or Down/Up can be made regardless of the level of the clock input
- Wide power supply range: 2–6V
- Low quiescent supply current: 80 μ A maximum (74HC Series)
- Low input current: 1 μ A maximum

Connection Diagram



Load	Enable G	Down/Up	Clock	Function
H	L	L	↑	Count Up
H	L	H	↑	Count Down
L	X	X	X	Load
H	H	X	X	No Change

Asynchronous inputs Low input to load sets $Q_A = A$,
 $Q_B = B$, $Q_C = C$, and $Q_D = D$

Order Number MM54HC190/191 or MM74HC190/191

MM54HC190/MM74HC190/MM54HC191/MM74HC191

Absolute Maximum Ratings (Notes 1 & 2)

If Military/Aerospace specified devices are required, please contact the National Semiconductor Sales Office/Distributors for availability and specifications.

Supply Voltage (V_{CC})	-0.5 to +7.0V
DC Input Voltage (V_{IN})	-1.5 to $V_{CC} + 1.5V$
DC Output Voltage (V_{OUT})	-0.5 to $V_{CC} + 0.5V$
Clamp Diode Current (I_{IK}, I_{OK})	± 20 mA
DC Output Current, per pin (I_{OUT})	± 25 mA
DC V_{CC} or GND Current, per pin (I_{CC})	± 50 mA
Storage Temperature Range (T_{STG})	-65°C to +150°C
Power Dissipation (P_D)	
(Note 3)	600 mW
S.O. Package only	500 mW
Lead Temp. (T_L) (Soldering 10 seconds)	260°C

Operating Conditions

	Min	Max	Units
Supply Voltage (V_{CC})	2	6	V
DC Input or Output Voltage (V_{IN}, V_{OUT})	0	V_{CC}	V
Operating Temp. Range (T_A)			
MM74HC	-40	+85	°C
MM54HC	-55	+125	°C
Input Rise or Fall Times (t_r, t_f)			
$V_{CC} = 2.0V$		1000	ns
$V_{CC} = 4.5V$		500	ns
$V_{CC} = 6.0V$		400	ns

DC Electrical Characteristics (Note 4)

Symbol	Parameter	Conditions	V_{CC}	$T_A = 25^\circ C$			Units	
				74HC $T_A = -40$ to $85^\circ C$	54HC $T_A = -55$ to $125^\circ C$			
				Typ	Guaranteed Limits			
V_{IH}	Minimum High Level Input Voltage		2.0V		1.5	1.5	V	
			4.5V		3.15	3.15	V	
			6.0V		4.2	4.2	V	
V_{IL}	Maximum Low Level Input Voltage**		2.0V		0.5	0.5	V	
			4.5V		1.35	1.35	V	
			6.0V		1.8	1.8	V	
V_{OH}	Minimum High Level Output Voltage	$V_{IN} = V_{IH}$ or V_{IL} $ I_{OUT} \leq 20 \mu A$	2.0V	2.0	1.9	1.9	V	
			4.5V	4.5	4.4	4.4	V	
			6.0V	6.0	5.9	5.9	V	
		$V_{IN} = V_{IH}$ or V_{IL} $ I_{OUT} \leq 4.0$ mA $ I_{OUT} \leq 5.2$ mA	4.5V	4.2	3.98	3.84	3.7	V
			6.0V	5.7	5.48	5.34	5.2	V
V_{OL}	Maximum Low Level Output Voltage	$V_{IN} = V_{IH}$ or V_{IL} $ I_{OUT} \leq 20 \mu A$	2.0V	0	0.1	0.1	V	
			4.5V	0	0.1	0.1	V	
			6.0V	0	0.1	0.1	V	
		$V_{IN} = V_{IH}$ or V_{IL} $ I_{OUT} \leq 4.0$ mA $ I_{OUT} \leq 5.2$ mA	4.5V	0.2	0.26	0.33	0.4	V
			6.0V	0.2	0.26	0.33	0.4	V
I_{IN}	Maximum Input Current	$V_{IN} = V_{CC}$ or GND	6.0V		± 0.1	± 1.0	μA	
I_{CC}	Maximum Quiescent Supply Current	$V_{IN} = V_{CC}$ or GND $I_{OUT} = 0 \mu A$	6.0V		8.0	80	160	μA

Note 1: Absolute Maximum Ratings are those values beyond which damage to the device may occur.

Note 2: Unless otherwise specified all voltages are referenced to ground.

Note 3: Power Dissipation temperature derating — plastic "N" package: -12 mW/°C from 65°C to 85°C; ceramic "J" package: -12 mW/°C from 100°C to 125°C.

Note 4: For a power supply of 5V $\pm 10\%$ the worst case output voltages (V_{OH} , and V_{OL}) occur for HC at 4.5V. Thus the 4.5V values should be used when designing with this supply. Worst case V_{IH} and V_{IL} occur at $V_{CC} = 5.5V$ and 4.5V respectively. (The V_{IH} value at 5.5V is 3.85V.) The worst case leakage current (I_{IN} , I_{CC} , and I_{OZ}) occur for CMOS at the higher voltage and so the 6.0V values should be used.

** V_{IL} limits are currently tested at 20% of V_{CC} . The above V_{IL} specification (30% of V_{CC}) will be implemented no later than Q1, CY'89.

AC Electrical Characteristics $T_A = 25^\circ\text{C}$, $V_{CC} = 5.0\text{V}$, $t_r = t_f = 6\text{ ns}$, $C_L = 15\text{ pF}$ (unless otherwise specified)					
Symbol	Parameter	From (Input)	To (Output)	Typ	Units
f_{MAX}	Maximum Clock Frequency			40	MHz
$t_{\text{PLH}}, t_{\text{PHL}}$	Maximum Propagation Delay Time	Load	Q_A, Q_B Q_C, Q_D	30	ns
$t_{\text{PLH}}, t_{\text{PHL}}$	Maximum Propagation Delay Time	Data A, B, C, D	Q_A, Q_B Q_C, Q_D	27	ns
$t_{\text{PLH}}, t_{\text{PHL}}$	Maximum Propagation Delay Time	Clock	Ripple Clock	16	ns
$t_{\text{PLH}}, t_{\text{PHL}}$	Maximum Propagation Delay Time	Clock	Q_A, Q_B Q_C, Q_D	24	ns
$t_{\text{PLH}}, t_{\text{PHL}}$	Maximum Propagation Delay Time	Clock	Max/Min	30	ns
$t_{\text{PLH}}, t_{\text{PHL}}$	Maximum Propagation Delay Time	Down/Up	Ripple Clock	29	ns
$t_{\text{PLH}}, t_{\text{PHL}}$	Maximum Propagation Delay Time	Down/Up	Max/Min	22	ns
$t_{\text{PHL}}, t_{\text{PLH}}$	Maximum Propagation Delay Time	Enable	Ripple Clock	22	ns
t_w	Minimum Clock, Clear or Load Input Pulse Width			10	ns

AC Electrical Characteristics $V_{CC} = 2.0\text{V to }6.0\text{V}$, $C_L = 50\text{ pF}$, $t_r = t_f = 6\text{ ns}$ (unless otherwise specified)									
Symbol	Parameter	From (Input)	To (Output)	V_{CC}	$T_A = 25^\circ\text{C}$		74HC	54HC	Units
					Typ	Guaranteed Limits		$T_A = -40\text{ to }85^\circ\text{C}$	
f_{MAX}	Maximum Clock Frequency			2.0V	9	4.0	3.5	2.6	MHz
				4.5V	30	20	16	13	MHz
				6.0V	36	24	19	15	MHz
$t_{\text{PLH}}, t_{\text{PHL}}$	Maximum Propagation Delay Time	Load	Q_A, Q_B Q_C, Q_D	2.0V	80	220	275	330	ns
				4.5V	27	44	55	66	ns
				6.0V	21	37	47	56	ns
$t_{\text{PLH}}, t_{\text{PHL}}$	Maximum Propagation Delay Time	Data A, B, C, D	Q_A, Q_B Q_C, Q_D	2.0V	71	200	250	300	ns
				4.5V	25	40	50	60	ns
				6.0V	19	34	43	51	ns
$t_{\text{PLH}}, t_{\text{PHL}}$	Maximum Propagation Delay Time	Clock	Ripple Clock	2.0V	44	125	155	190	ns
				4.5V	25	25	31	38	ns
				6.0V	14	21	26	32	ns
$t_{\text{PLH}}, t_{\text{PHL}}$	Maximum Propagation Delay Time	Clock	Q_A, Q_B Q_C, Q_D	2.0V	83	215	270	325	ns
				4.5V	29	43	54	65	ns
				6.0V	22	37	46	55	ns

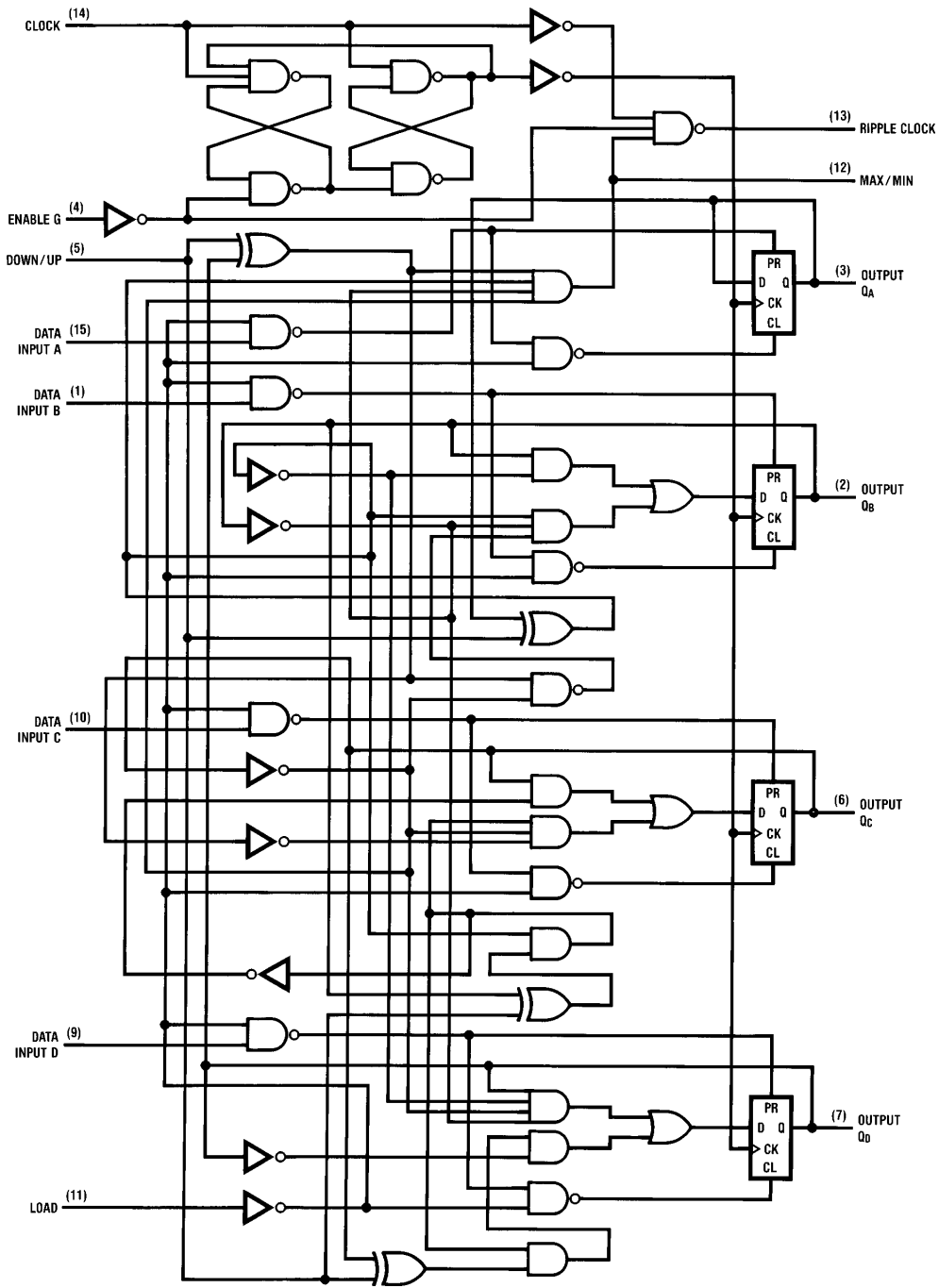
AC Electrical Characteristics (Continued)

Symbol	Parameter	From (Input)	To (Output)	Conditions	V _{CC}	T _A = 25°C		74HC	54HC	Units
								T _A = -40 to 85°C	T _A = -55 to 125°C	
						Typ	Guaranteed Limits			
t _{PLH} , t _{PHL}	Maximum Propagation Delay Time	Clock	Max/Min		2.0V	125	255	320	385	ns
					4.5V	41	51	64	77	ns
					6.0V	31	43	54	65	ns
t _{PLH} , t _{PHL}	Maximum Propagation Delay Time	Down/Up	Ripple Clock		2.0V	90	210	265	315	ns
					4.5V	30	42	53	63	ns
					6.0V	24	36	45	54	ns
t _{PLH} , t _{PHL}	Maximum Propagation Delay Time	Down/Up	Max/Min		2.0V	88	190	240	285	ns
					4.5V	30	38	48	57	ns
					6.0V	23	32	41	48	ns
t _{PHL} , t _{PLH}	Maximum Propagation Delay Time	Enable	Ripple Clock		2.0V	50	125	155	190	ns
					4.5V	18	25	31	38	ns
					6.0V	14	21	26	32	ns
t _w	Minimum Clock, Load or Clear Input Pulse Width				2.0V	36	125	155	190	ns
					4.5V	12	25	31	38	ns
					6.0V	9	21	26	32	ns
t _s	Minimum Setup Time	Data	Load		2.0V	50	100	125	150	ns
					4.5V	14	20	25	30	ns
					6.0V	10	17	21	26	ns
t _H	Data Hold Time	Load	Data		2.0V	-16	25	30	40	ns
					4.5V	-3	5	6	8	ns
					6.0V	-2	5	6	7	ns
t _s	Minimum Setup Time	Down/Up	Clock		2.0V	62	150	190	225	ns
					4.5V	18	30	38	48	ns
					6.0V	14	26	33	38	ns
t _H	Minimum Hold Time	Clock	Down/Up		2.0V	-23	0	0	0	ns
					4.5V	-5	0	0	0	ns
					6.0V	-4	0	0	0	ns
t _s	Minimum Setup Time	Enable	Clock		2.0V	28	100	125	150	ns
					4.5V	10	20	25	30	ns
					6.0V	7	17	21	26	ns
t _H	Minimum Hold Time	Clock	Enable		2.0V	-11	0	0	0	ns
					4.5V	-5	0	0	0	ns
					6.0V	-3	0	0	0	ns
t _{rem}	Minimum Removal Time	Load	Clock		2.0V	1	25	30	40	ns
					4.5V	1	5	6	8	ns
					6.0V	0	5	6	7	ns
t _{THL} , t _{TLH}	Maximum Output Rise and Fall Time				2.0V	30	75	95	110	s
					4.5V	10	15	19	22	ns
					6.0V	9	13	16	19	ns
t _w	Minimum Load Pulse Width				2.0V	53	100	125	150	ns
					4.5V	15	20	25	30	ns
					6.0V	12	17	21	26	ns
C _{IN}	Input Capacitance					5	10	10	10	pF
C _{PD}	Power Dissipation Capacitance (Note 5)					35				pF

Note 5: C_{PD} determines the no load dynamic power consumption, P_D = C_{PD} V_{CC}² f + I_{CC} V_{CC}, and the no load dynamic current consumption, I_S = C_{PD} V_{CC} f + I_{CC}.

Logic Diagrams

'HC190 Decade Counters

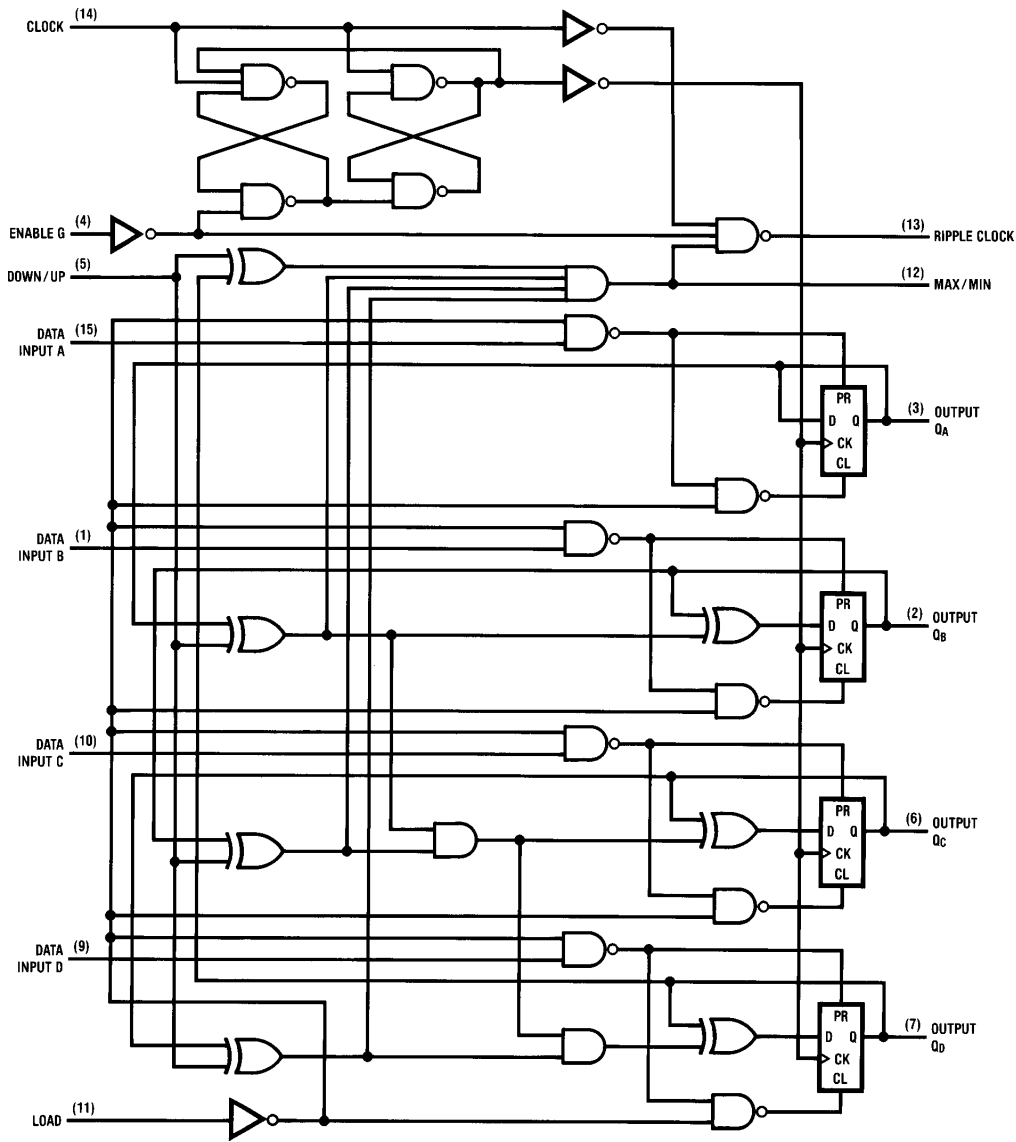


Pin (16) = V_{CC}, Pin (8) = GND

TL/F/5322-2

Logic Diagrams (Continued)

'HC191 Binary Counters

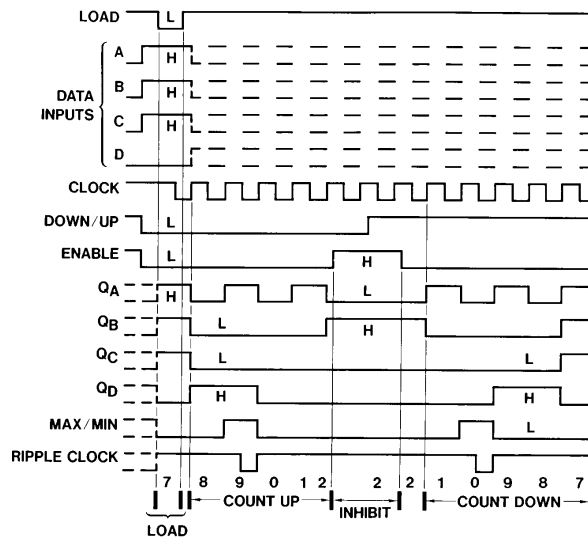


Pin (16) = V_{CC}, Pin (8) = GND

TL/F/5322-3

Timing Diagrams

'HC190 Synchronous Decade Counters Typical Load, Count, and Inhibit Sequences

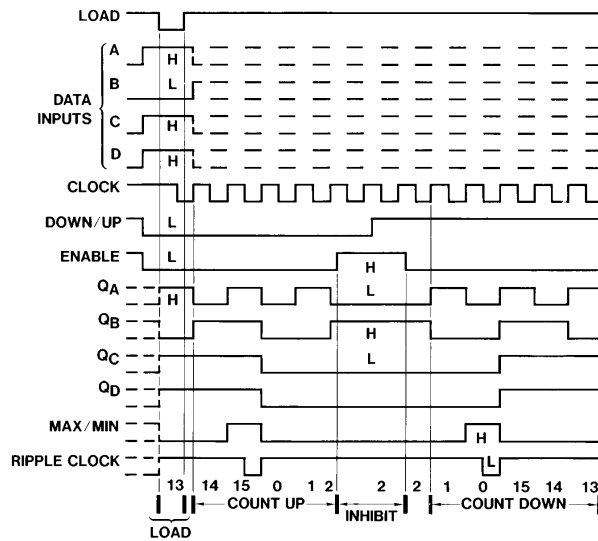


TL/F/5322-4

Sequence:

- (1) Load (preset) to BCD seven
- (2) Count up to eight, nine, zero, one and two
- (3) Inhibit
- (4) Count down to one, zero, nine, eight, and seven

'HC191 Synchronous Binary Counters Typical Load, Count, and Inhibit Sequence

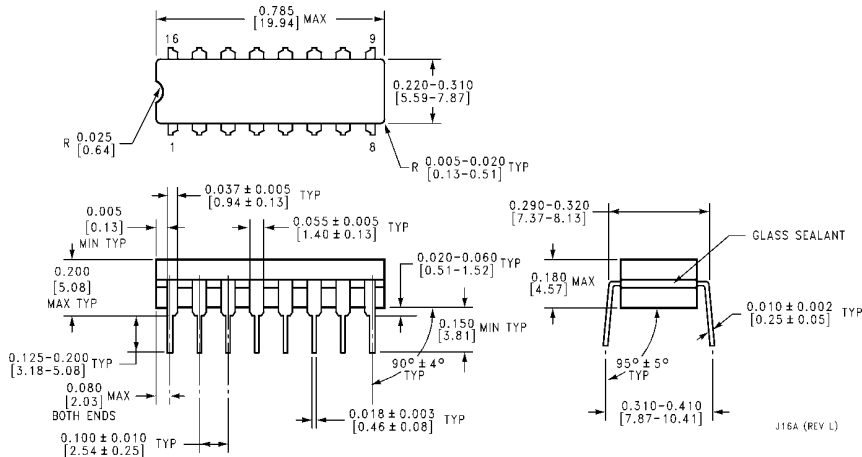


TL/F/5322-5

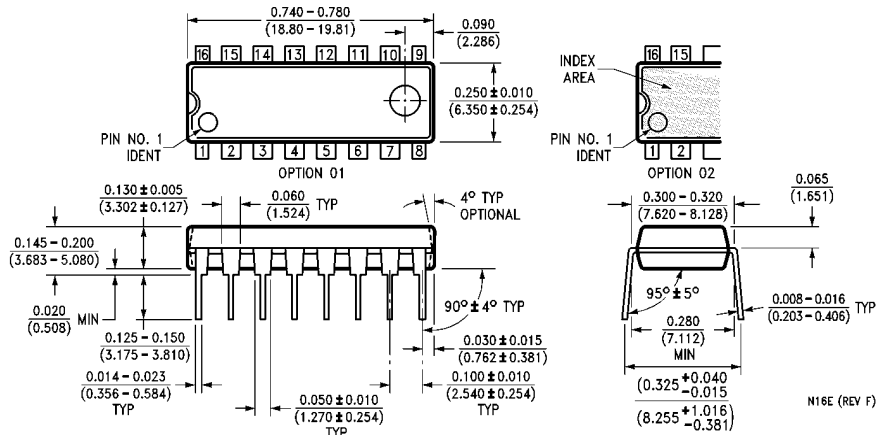
Sequence:

- (1) Load (preset) to binary thirteen
- (2) Count up to fourteen, fifteen, zero, one, and two
- (3) Inhibit
- (4) Count down to one, zero, fifteen, fourteen, and thirteen

Physical Dimensions inches (millimeters)



**Order Number MM54HC190J, MM54HC191J, MM74HC190J, or MM74HC191J
NS Package J16A**



**Order Number MM74HC190N or MM74HC191N
NS Package N16E**

LIFE SUPPORT POLICY

NATIONAL'S PRODUCTS ARE NOT AUTHORIZED FOR USE AS CRITICAL COMPONENTS IN LIFE SUPPORT DEVICES OR SYSTEMS WITHOUT THE EXPRESS WRITTEN APPROVAL OF THE PRESIDENT OF NATIONAL SEMICONDUCTOR CORPORATION. As used herein:

1. Life support devices or systems are devices or systems which, (a) are intended for surgical implant into the body, or (b) support or sustain life, and whose failure to perform, when properly used in accordance with instructions for use provided in the labeling, can be reasonably expected to result in a significant injury to the user.
2. A critical component is any component of a life support device or system whose failure to perform can be reasonably expected to cause the failure of the life support device or system, or to affect its safety or effectiveness.



National Semiconductor Corporation
1111 West Bardin Road
Arlington, TX 76017
Tel: (800) 272-9959
Fax: (800) 737-7018

National Semiconductor Europe
Fax: (+49) 0-180-530 85 86
Email: cnjwge@tevm2.nsc.com
Deutsch Tel: (+49) 0-180-530 85 85
English Tel: (+49) 0-180-532 78 32
Français Tel: (+49) 0-180-532 93 58
Italiano Tel: (+49) 0-180-534 16 80

National Semiconductor Hong Kong Ltd.
19th Floor, Straight Block,
Ocean Centre, 5 Canton Rd.
Tsimshatsui, Kowloon
Hong Kong
Tel: (852) 2737-1600
Fax: (852) 2736-9960

National Semiconductor Japan Ltd.
Tel: 81-043-299-2309
Fax: 81-043-299-2408

National does not assume any responsibility for use of any circuitry described, no circuit patent licenses are implied and National reserves the right at any time without notice to change said circuitry and specifications.