

MM5034/MM5035 Octal 80-Bit Static Shift Register

General Description

The MM5034 octal 80-bit shift register is a monolithic MOS integrated circuit utilizing N-channel low threshold enhancement mode and ion-implanted depletion mode devices.

The MM5034 is designed for use in computer display peripherals. All inputs and outputs are TTL compatible. The clocks and recirculate logic are internal to reduce system component count, and TRI-STATE® output buffers provide bus interface. Because of its N-channel characteristics, single 5V power supply operation is required.

Simple interface to the NSC CRT DP8350 controller and character generator to incorporate an entire CRT terminal is feasible with the MM5034.

The MM5034 is available in a 22-lead dual-in-line package.

The MM5035 is a 20-pin version of the MM5034 with the TRI-STATE output select feature omitted, for a simple data in/data out operation.

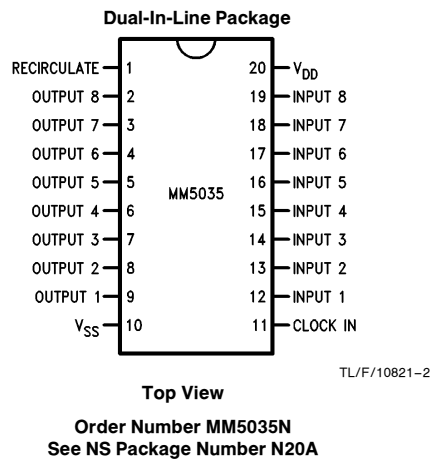
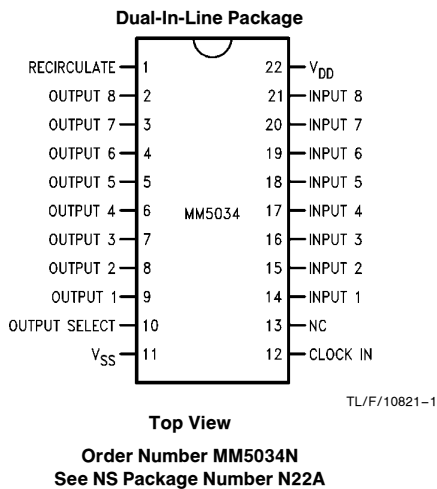
Features

- Single 5V power supply
- Internal clocks
- High speed and static operation
- TRI-STATE output buffer
- Recirculate and output select independent
- TTL compatible

Applications

- CRT displays
- Computer peripherals

Connection Diagrams



TRI-STATE® is a registered trademark of National Semiconductor Corporation.

Absolute Maximum Ratings

If Military/Aerospace specified devices are required, please contact the National Semiconductor Sales Office/Distributors for availability and specifications.

Supply Voltage 7 V_{DC}
Input Voltage 7 V_{DC}

Power Dissipation 750 mW
Storage Temperature Range -65°C to +150°C
Lead Temperature (Soldering, 10 sec.) 300°C

Electrical Characteristics $V_{DD} = 5V \pm 5\%$, $T_A = 0^\circ\text{C to } +70^\circ\text{C}$

Parameter	Conditions	Min	Typ	Max	Units
Clock Input					
Logical "1" Input Voltage		2.2			V
Logical "0" Input Voltage				0.8	V
Data and Control Inputs					
Logical "1" Input Voltage		2.2			V
Logical "0" Input Voltage				0.8	V
Data, Clock and Control Inputs					
Logical "1" Input Current	$V_{IN} = 5V$			5.0	μA
Input Capacitance	$V_{IN} = 2.5V$		5.0	8.0	pF
Outputs					
Logical "1" Output Voltage	$I_{OUT} = 100 \mu\text{A}$	2.4	2.8		V
Logical "0" Output Voltage	$I_{OUT} = 1.6 \text{ mA}$		0.25	0.4	V
TRI-STATE Output Current	$V_{OUT} = 5V$			-5.0	μA
	$V_{OUT} = 0V$			5.0	μA
Supply Current			60	90	mA
Timing					
Clock Frequency		0		3.0	MHz
Clock Pulse Width High	(Figure 1)	125		10,000	ns
Clock Pulse Width Low	(Note 1)	125		∞	ns
Output Rise and Fall Time (t_r , t_f)	(Figure 1)		40	50	ns
Set-Up Time	(Figure 1)	100			ns
Hold Time	(Figure 1)	0			ns
Output Enable Time	(Figure 1)			185	ns
Output Disable Time	(Figure 1)			185	ns
Clock Rise and Fall Time	(Figure 1)			5.0	μs
Output Delay, (t_{PD})			80	185	ns

Note 1: The clock input must be a low level for DC storage. Minimum width assumes 10 ns t_r and t_f .

Recirculate and TRI-STATE Operation

Recirculate is used to maintain data in the shift register after it has been loaded. While the shift register is being loaded, Recirculate must be at a logical "0". When the loading is completed, Recirculate should be brought to a logical "1". This disables the data input and feeds the output of the last

shift cell back to the input of the first shift cell for each of the 8 registers.

For the output to be in the TRI-STATE mode output-select should be at the logical "1" level.

AC Test Circuits and Switching Time Waveforms

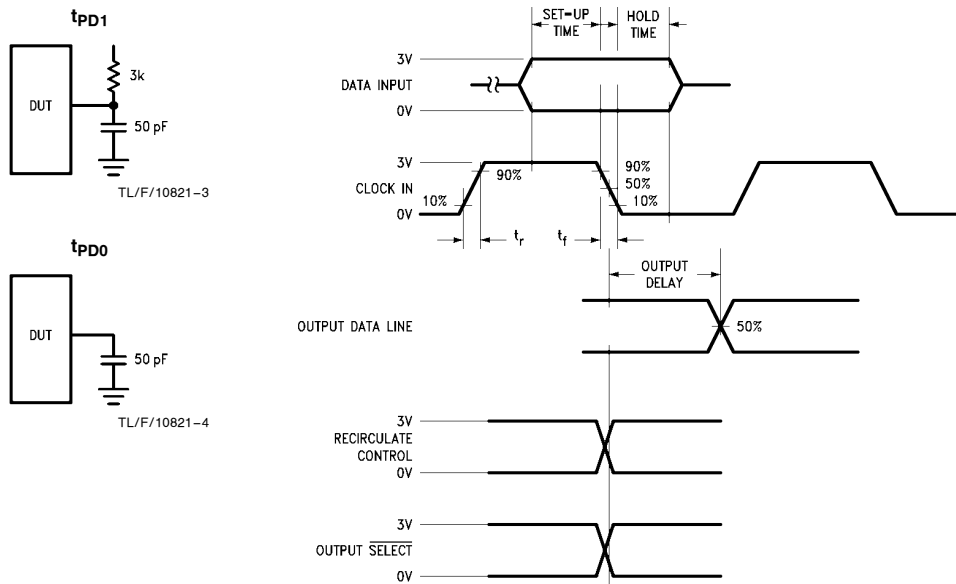


FIGURE 1

TL/F/10821-5

Typical Application

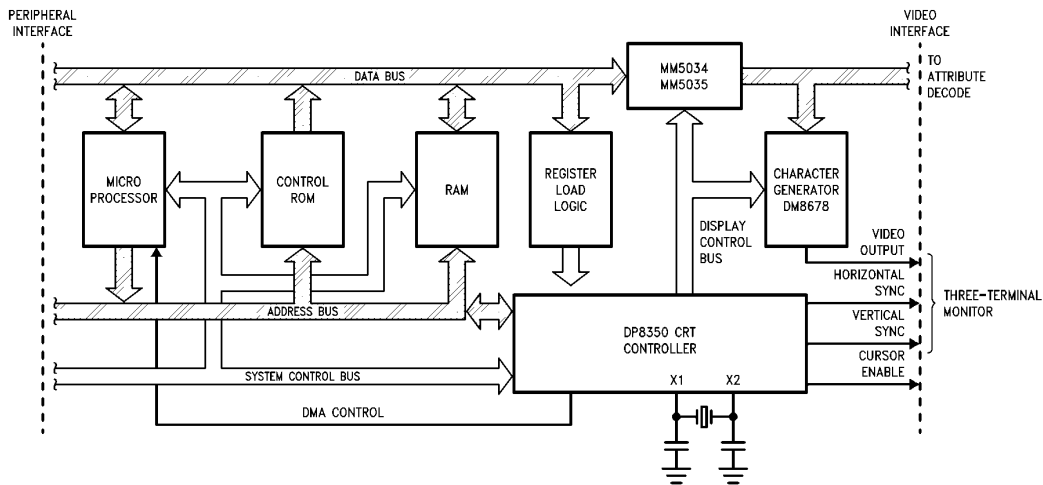
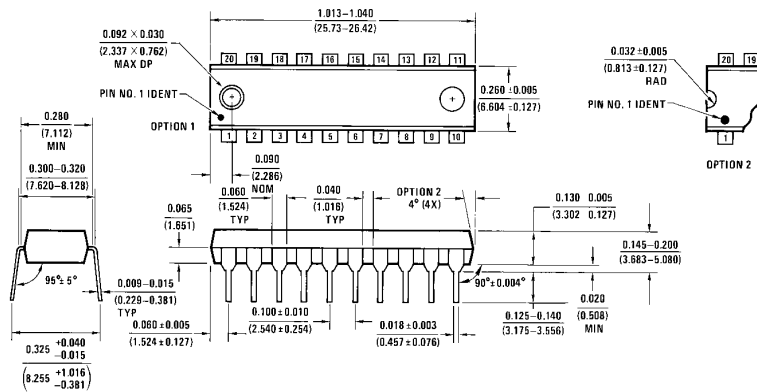


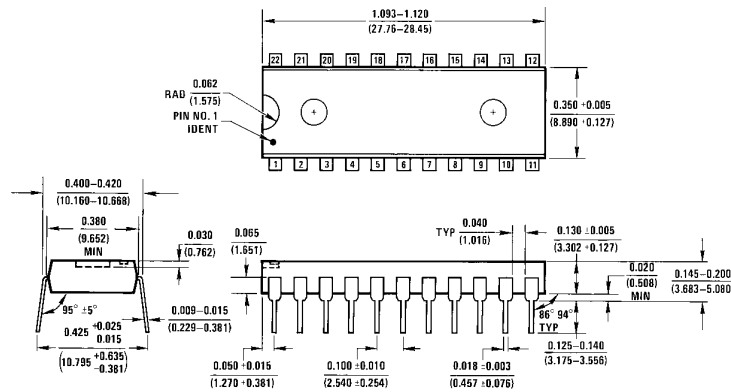
FIGURE 2. CRT System Diagram Using the MM5034, MM5035 as a Line Buffer with DMA

TL/F/10821-6

Physical Dimensions inches (millimeters)



20-Lead Molded Dual-In-Line Package (N)
Order Number MM5035N
NS Package Number N20A



22-Lead Molded Dual-In-Line Package (N)
Order Number MM5034N
NS Package Number N22A

LIFE SUPPORT POLICY

NATIONAL'S PRODUCTS ARE NOT AUTHORIZED FOR USE AS CRITICAL COMPONENTS IN LIFE SUPPORT DEVICES OR SYSTEMS WITHOUT THE EXPRESS WRITTEN APPROVAL OF THE PRESIDENT OF NATIONAL SEMICONDUCTOR CORPORATION. As used herein:

1. Life support devices or systems are devices or systems which, (a) are intended for surgical implant into the body, or (b) support or sustain life, and whose failure to perform, when properly used in accordance with instructions for use provided in the labeling, can be reasonably expected to result in a significant injury to the user.
2. A critical component is any component of a life support device or system whose failure to perform can be reasonably expected to cause the failure of the life support device or system, or to affect its safety or effectiveness.

 <p>National Semiconductor Corporation 1111 West Bardin Road Arlington, TX 76017 Tel: 1(800) 272-9959 Fax: 1(800) 737-7018</p>	<p>National Semiconductor Europe Fax: (+49) 0-180-530 85 86 Email: cnjwge@tevm2.nsc.com Deutsch Tel: (+49) 0-180-530 85 85 English Tel: (+49) 0-180-532 78 32 Français Tel: (+49) 0-180-532 93 58 Italiano Tel: (+49) 0-180-534 16 80</p>	<p>National Semiconductor Hong Kong Ltd. 19th Floor, Straight Block, Ocean Centre, 5 Canton Rd. Tsimshatsui, Kowloon Hong Kong Tel: (852) 2737-1600 Fax: (852) 2736-9960</p>	<p>National Semiconductor Japan Ltd. Tel: 81-043-299-2309 Fax: 81-043-299-2408</p>
------------------------------------------------------------------------------------------------------------------------------------------------------------------------------------------------------------------------------------------------------------------------------	--------------------------------------------------------------------------------------------------------------------------------------------------------------------------------------------------------------------------------------------------------------------------------------------------------------------------------	-------------------------------------------------------------------------------------------------------------------------------------------------------------------------------------------------------------------------------------------------------------------	---------------------------------------------------------------------------------------------------------------------

National does not assume any responsibility for use of any circuitry described, no circuit patent licenses are implied and National reserves the right at any time without notice to change said circuitry and specifications.