



CMOS Compatible Enable/Disable HS-A1370/A1380 Series

Description

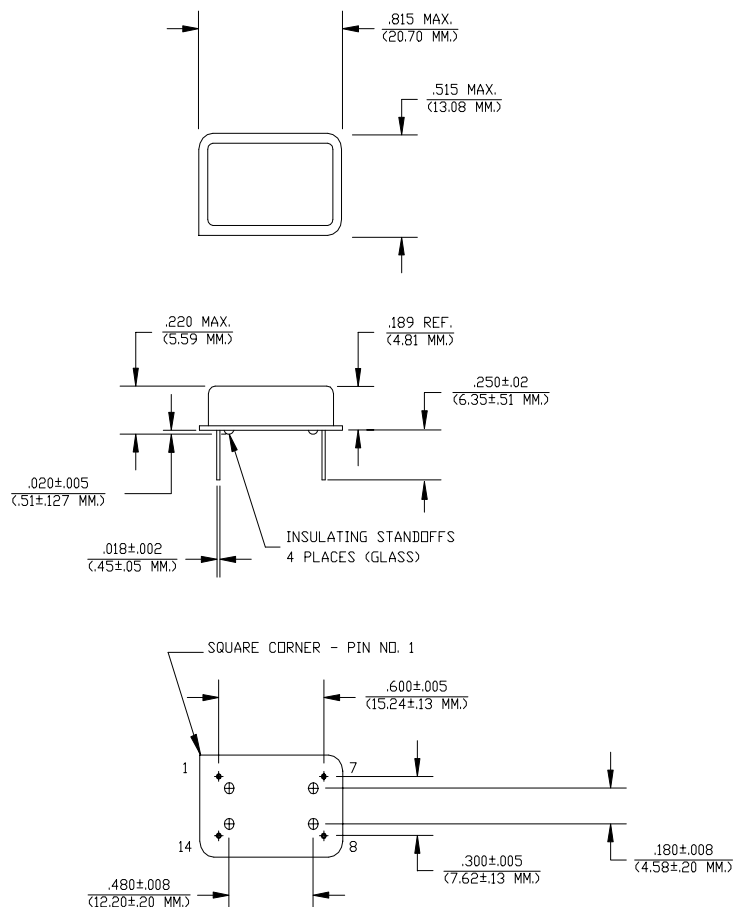
The **HS-A1370 Series** of quartz crystal oscillators provide enable/disable 3-state CMOS compatible signals for bus connected systems. Supplying Pin 1 of the **HS-A1370** units with a logic "0" enables the output on Pin 8. Alternately, supplying pin 1 of the **HS-A1380** units with a logic "1" enables its Pin 8 output. In the disabled mode, Pin 8 presents a high impedance to the load. All units are resistance welded in an all metal package, offering RFI shielding, and are designed to survive standard wave soldering operations without damage. Insulated standoffs to enhance board cleaning are standard.

Features

- Wide frequency range— 0.5MHz to 20.0MHz
- User specified tolerance available
- Will withstand vapor phase temperatures of 253°C for 4 minutes maximum
- Space-saving alternative to discrete component oscillators
- High shock resistance, to 3000g
- All metal, resistance weld, hermetically sealed package
- 3.3 Volt operation
- Low Jitter
- High Q Crystal actively tuned oscillator circuit
- Power supply decoupling internal
- No internal PLL avoids cascading PLL problems
- Low power consumption
- Gold plated leads - Solder dipped leads available upon request
- RoHS Compliant, Lead Free Construction (unless solder dipped leads are supplied)

Electrical Connection

Pin	Connection
1	Enable Input
7	Grd & Case
8	Output
14	V _{DD}



Dimensions are in inches and (MM)

HS-A1370/A1380 Series Continued
 CMOS Compatible - Enable/Disable

Rev. N

Operating Conditions and Output Characteristics

Electrical Characteristics

Parameter	Symbol	Conditions	Min	Typical	Max
Frequency	-----	-----	0.5MHz	-----	20.0MHz
Duty Cycle	-----	@ $V_{DD}/2$	40/60%	-----	60/40%
Logic 0	V_{OL}	@ 600 μ A	-----	-----	0.2V
Logic 1	V_{OH}	@ 600 μ A	$V_{DD}-0.2V$	-----	-----
Rise & Fall Time	tr,tf	10-90%	-----	-----	5 ns
Tpz	-----	-----	-----	-----	25 ns
Enable/Disable					
Logic High Voltage	-----	-----	3.0V	2.5V	-----
Enable/Disable					
Logic Low Voltage	-----	-----	-----	-----	0.4V
Jitter, RMS ⁽²⁾	-----	-----	-----	-----	8 psec
Frequency Stability ⁽¹⁾	dF/F	Overall conditions including: voltage, calibration, temp., 10 yr aging, shock, vibration	-100ppm	-----	+100ppm

General Characteristics

Parameter	Symbol	Conditions	Min	Typical	Max
Supply Voltage	V_{DD}	-----	2.97V	3.3V	3.63V
Supply Current	I_{DD}	No Load	0.0 mA	-----	40 mA
Output current	I_O	-----	0.0 mA	-----	± 16.0 mA
Operating temperature	T_A	-----	0°C	-----	70°C
Storage temperature	T_S	-----	-55°C	-----	125°C
Power Dissipation	P_D	-----	-----	-----	145 mW
Lead temperature	T_L	Soldering, 10 sec.	-----	-----	300°C
Load	----	-----	-----	-----	15pf
Start-up time	t_S	-----	-----	2 ms	10 ms

Environmental and Mechanical Characteristics

Mechanical Shock	Per MIL-STD-202, Method 213, Condition E
Thermal Shock	Per MIL-STD-833, Method 1011, Condition A
Vibration	0.060" double amplitude 10 Hz to 55 Hz, 35g's 55Hz to 2000 Hz
Soldering Condition	300°C for 10 seconds
Hermetic Seal	Leak rate less than 1×10^{-8} atm.cc/sec of helium

Footnotes:

- Standard frequency stability ($\pm 20, \pm 25, \pm 50$ ppm & others available)
- Jitter performance is frequency dependent. Please contact factory for full characterization. RMS jitter bandwidth of 12kHz to 20MHz.

Creating a Part Number	
HS - A137X - FREQ	
Package Code	Tolerance/Performance
HS Leaded 4 pin (14 pin)	0 ± 100 ppm 0-70°C
SM Leaded 4 pin (14 pin) SMD	1 ± 50 ppm 0-70°C
Gull Wing	7 ± 25 ppm 0-70°C
Input Voltage	9 Customer Specific
Code Specification	A ± 20 ppm 0-70°C
A 3.3V	B ± 50 ppm -40 to +85°C
5V	C ± 100 ppm -40 to +85°C

Test Load:

