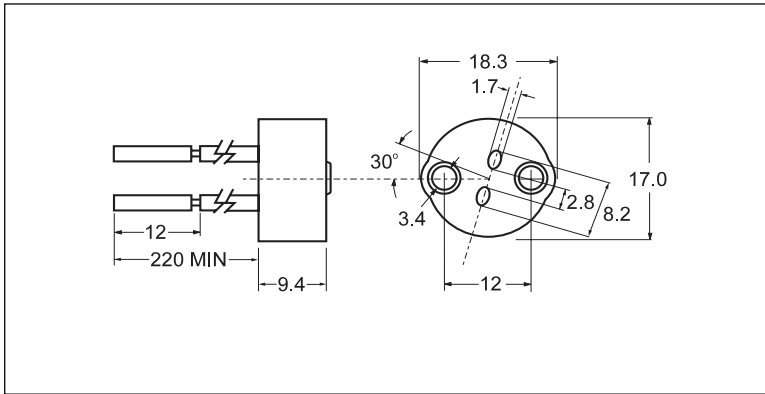


Commercial Grade Lampholders



HT456

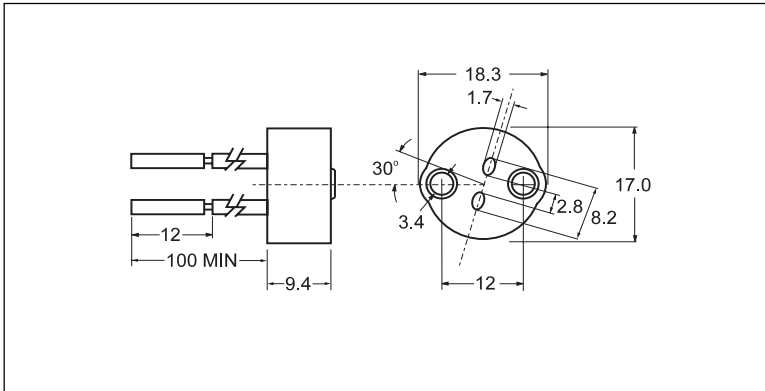
E167154

Lamp Base G-4, GZ-4, GX-5.3
GZ6.35, G6.35, GY6.35
MR-11, MR-16

Holder Ceramic

Maximum Ratings 250 Volts
100 Watts
200°C

Wire 18 AWG Stranded
Silicon & Fiberglass
Insulation
220mm Wire Length



HT456A

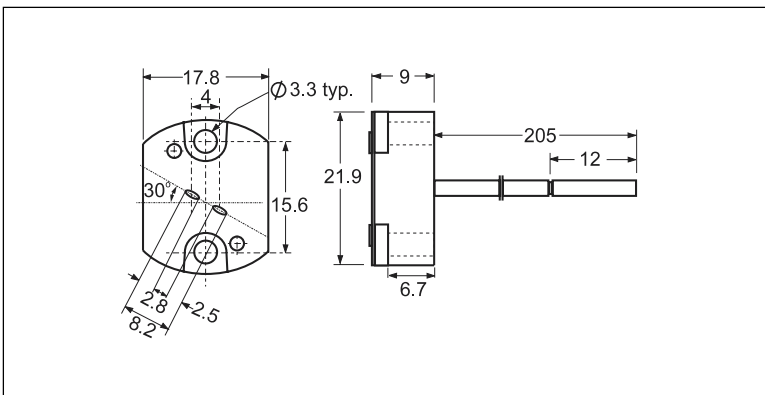
E167154

Lamp Base G4, GZ4, GX5.3,
GZ6.35, G6.35, GY6.35
MR-11, MR-16

Holder Ceramic

Maximum Ratings 250 Volts
100 Watts
200°C

Wire 18 AWG Stranded
Silicon & Fiberglass
Insulation
100mm Wire Length



HT458

E167154

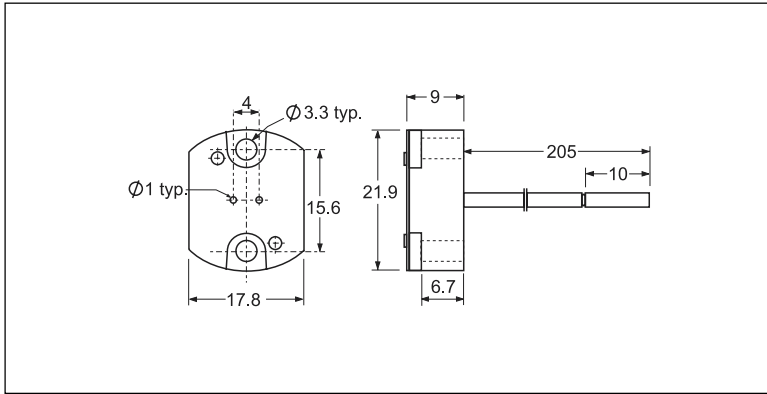
Lamp Base G4, GZ4, GX5.3,
GZ6.35, G6.35, GY6.35
MR-11, MR-16

Holder Ceramic

Maximum Ratings 250 Volts
100 Watts
200°C

Wire 18 AWG Stranded
Silicon & Fiberglass
Insulation
205mm Wire Length

Commercial Grade Lampholders



HT400

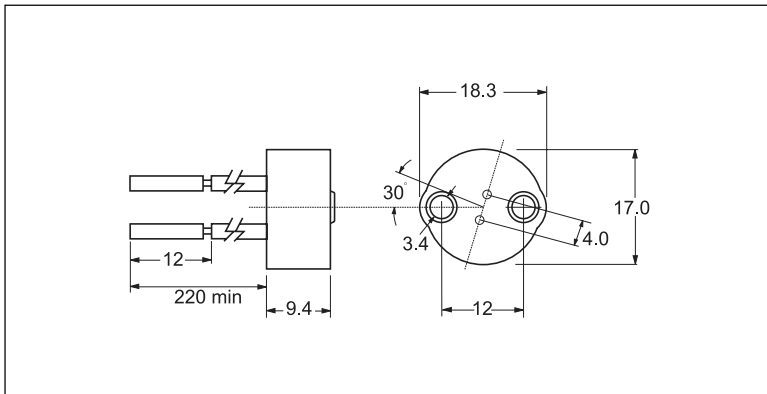
E167154

Lamp Base G4, GZ4

Holder Ceramic

Maximum Ratings
250 Volts
100 Watts
200°C

Wire 18 AWG Stranded
Silicon & Fiberglass
Insulation
205mm Wire Length



HT9941

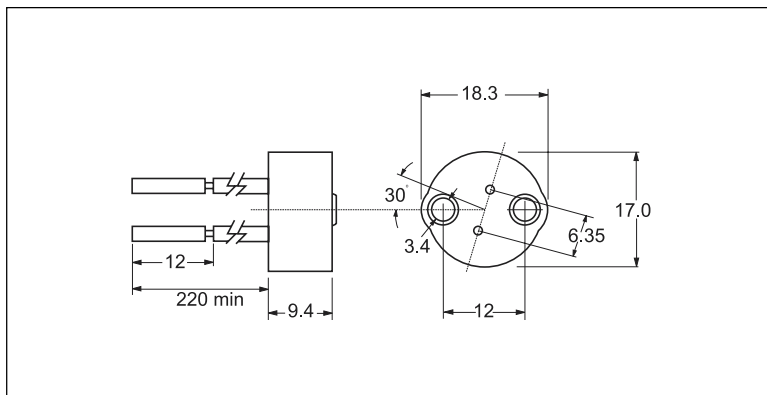
E167154

Lamp Base G4, GZ4

Holder Ceramic

Maximum Ratings
250 Volts
100 Watts
200°C

Wire 18 AWG Stranded
Silicon & Fiberglass
Insulation
220mm Wire Length



HT912

E167154

Lamp Base G6.35, GY6.35, GZ6.34

Holder Ceramic

Maximum Ratings
250 Volts
100 Watts
200°C

Wire 18 AWG Stranded
Silicon & Fiberglass
Insulation
220mm Wire Length