

# SMDT-200



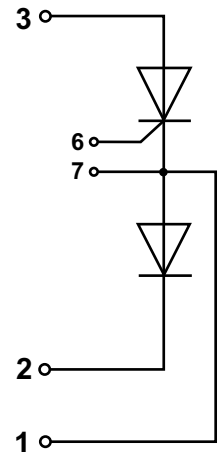
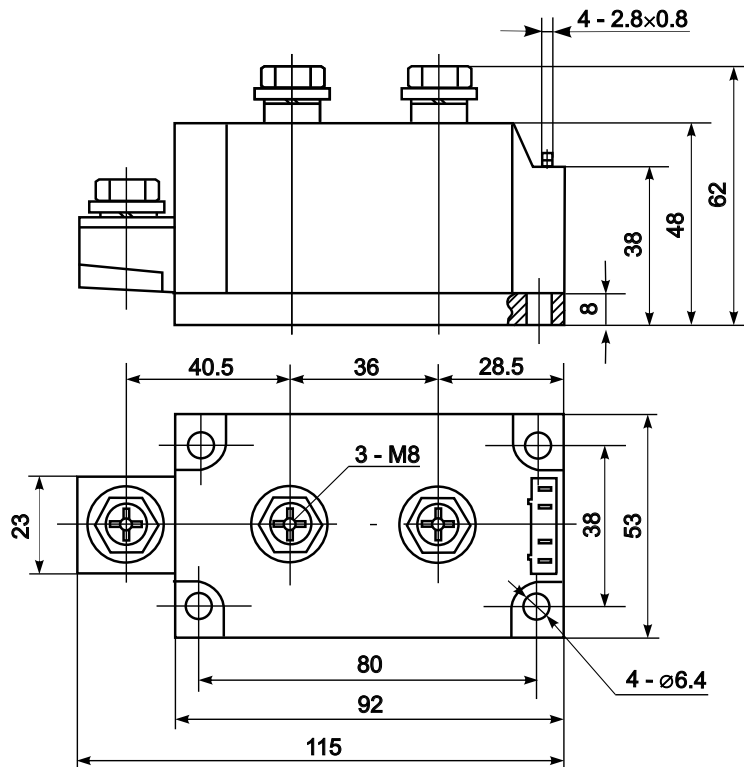
## Diode-Thyristor Module



| Type        | $V_{RSM}$ | $V_{RRM}$ ,<br>$V_{DRM}$ |
|-------------|-----------|--------------------------|
| SMDT-200-08 | 900       | 800                      |
| SMDT-200-12 | 1300      | 1200                     |
| SMDT-200-14 | 1500      | 1400                     |
| SMDT-200-16 | 1700      | 1600                     |
| SMDT-200-18 | 1900      | 1800                     |

www.DataSheet4U.com

| Type     | $I_{TAVM}$ ,<br>$I_{FAVM}$ | $I_{TRMS}$ ,<br>$I_{FRMS}$ | $T_c$ | $I_{TSM}$ ,<br>$I_{FSM}$ | $(di/dt)_{cr}$ | $(dv/dt)_{cr}$ | $V_{TM}$ | $I_{TM}$ ,<br>$I_{FM}$ | $V_{TO}$ | $r_T$ | $t_q$ | $V_{GT}$ | $I_{GT}$ | $T_{VJM}$ | $V_{isol}$ | $R_{thJC}$ |
|----------|----------------------------|----------------------------|-------|--------------------------|----------------|----------------|----------|------------------------|----------|-------|-------|----------|----------|-----------|------------|------------|
|          | A                          | A                          | °C    | kA                       | A/μs           | V/μs           | V        | A                      | V        | mΩ    | μs    | V        | mA       | °C        | V          | K/W        |
| SMDT-200 | 200                        | 340                        | 85    | 6.5                      | 150            | 500            | 1.6      | 600                    | 0.85     | 1.1   | 150   | 2.0      | 100      | 125       | 2500       | 0.125      |



### Features:

- Industrial standard package
- Heat transfer through aluminium nitride ceramic isolated metal baseplate
- Precise internal pressure contacts for high reliability
- 2500V RMS isolation voltage

### Typical Applications:

- DC motor control
- AC motor soft starter
- Temperature control (e.g. for ovens, chemical processes)
- Lighting control