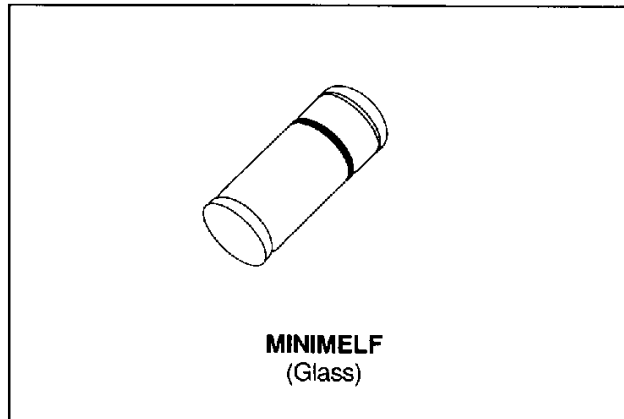




TEMPERATURE COMPENSATED ZENER DIODES

NEW SERIE



ABSOLUTE RATINGS (limiting values)

Symbol	Parameter	Value	Unit
P_{tot}	Power Dissipation	$T_{leads} = 50^{\circ}C$ 0.4	W
T_{stg} T_j	Storage and Junction Temperature Range	- 65 to 175 - 55 to 175	$^{\circ}C$ $^{\circ}C$
T_L	Maximum Temperature for Soldering during 15s	260	$^{\circ}C$

THERMAL RESISTANCE

Symbol	Parameter	Value	Unit
$R_{th(j-l)}$	Junction-leads	300	$^{\circ}C/W$

ELECTRICAL CHARACTERISTICS ($T_{amb} = 25^{\circ}C$ unless otherwise specified)

Types	V_{ZT} typ. (V)	R_{ZT} @ max. (Ω)	I_{ZT} (mA)	Test Temperatures ($^{\circ}C$)					ΔV_Z^* max. (mV)	αV_Z ($10^{-6}/^{\circ}C$)
				- 55	0	+ 25	+ 75	+ 100		
TMM821	6.2	15	7.5	- 55	0	+ 25	+ 75	+ 100	96	100
TMM823	6.2	15	7.5	- 55	0	+ 25	+ 75	+ 100	48	50
TMM825	6.2	15	7.5	- 55	0	+ 25	+ 75	+ 100	19	20
TMM827	6.2	15	7.5	- 55	0	+ 25	+ 75	+ 100	9	10
TMM829	6.2	15	7.5	- 55	0	+ 25	+ 75	+ 100	5	5
TMM821A	6.2	10	7.5	- 55	0	+ 25	+ 75	+ 100	96	100
TMM823A	6.2	10	7.5	- 55	0	+ 25	+ 75	+ 100	48	50
TMM825A	6.2	10	7.5	- 55	0	+ 25	+ 75	+ 100	19	20
TMM827A	6.2	10	7.5	- 55	0	+ 25	+ 75	+ 100	9	10
TMM829A	6.2	10	7.5	- 55	0	+ 25	+ 75	+ 100	5	5

* The voltage reference diodes are characterized by the box method. The maximum allowable voltage change ΔV_Z is guaranteed any two temperature within the range. Tests are performed at the indicated temperatures and the specified current.

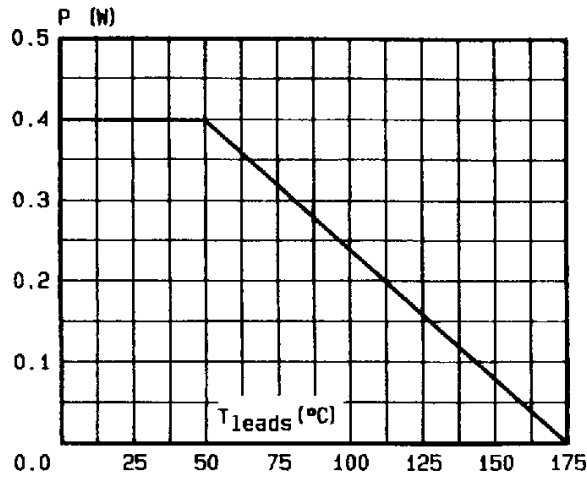


Fig.1 - Power dissipation versus leads temperature.

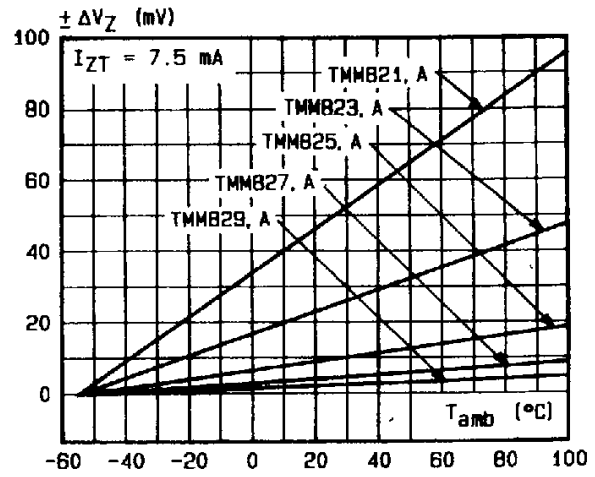
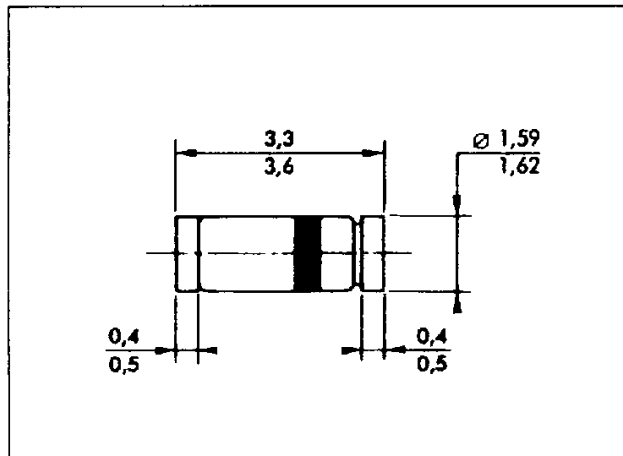


Fig.2 - Regulation voltage variation versus ambient temperature.

PACKAGE MECHANICAL DATA

MINIMELF Glass



Marking clear, ring at cathode end
 Weight 0.05g

FOOT PRINT DIMENSIONS (Millimeter)

