

ADVANCED INFORMATION

TEMPERATURE SENSOR IC

FEATURES

- Linear Output Voltage 10 mV/°C Output
- 2.4 to 8.0 Volt Supply Range
- Miniature Package (SOT-23L)
- Minimum External Parts Count
- Low Power Consumption

APPLICATIONS

- Home and Industrial Thermostats
- Automotive Climate Control
- Battery Charger Temperature Monitor
- Notebook Computer Temperature Monitor
- Electronic Thermometers
- Fish Finder Water Temperature
- Industrial Process Controllers
- Home Appliance Temperature Control

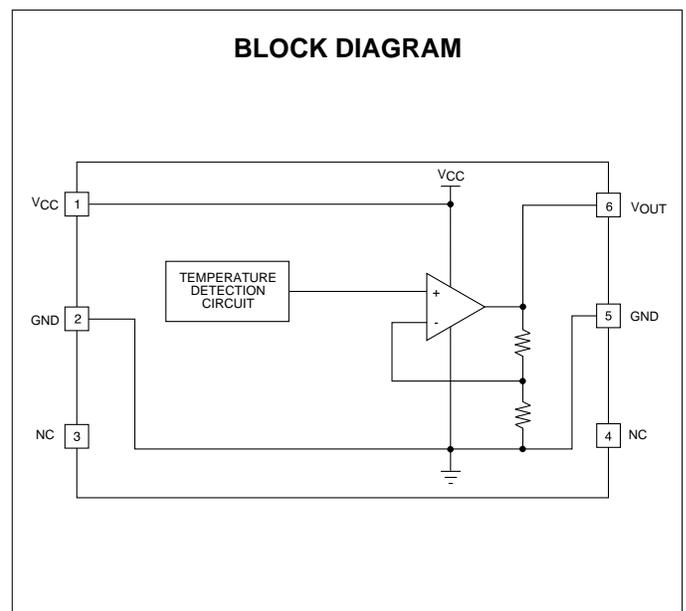
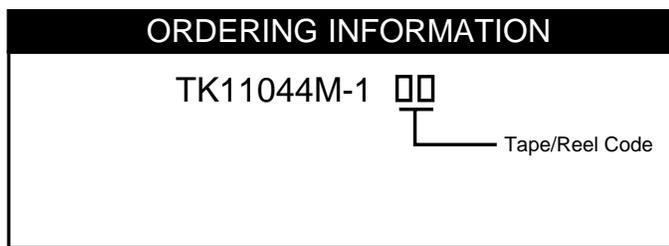
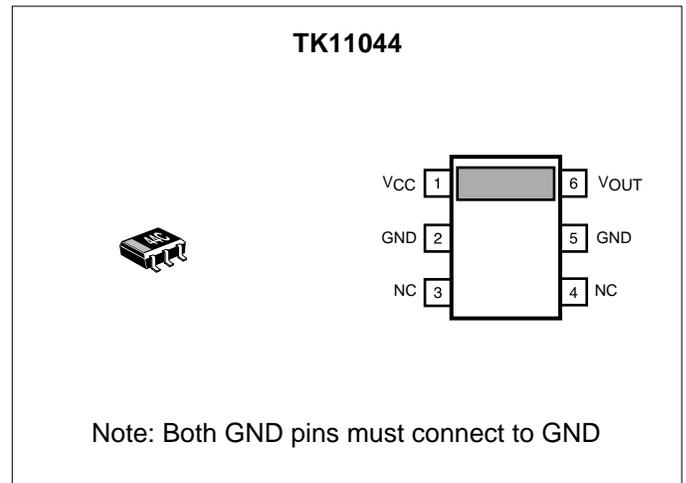
DESCRIPTION

The TK11044 is a temperature sensor IC with a linear output of 10 mV/°C over the range of -25 to + 105 °C. Its wide operating voltage range of 2.4 to 8.0 volts makes it suitable for a number of applications requiring accurate temperature control, such as electronic thermostats for climate control, refrigerators, and industrial process controls.

A typical application is to make a digital representation of temperature with an A/D converter, or to make a thermal detector with a comparator.

The TK11044 has a compensation pin for a 0.1 μF capacitor that insures stability over the IC's operating temperature range.

The TK11044 is available in a miniature SOT 23L-6 surface mount package.



ABSOLUTE MAXIMUM RATINGS

Supply Voltage	12 V	Storage Temperature Range	-55 to +150 °C
Operating Voltage	2.4 to 8 V	Operating Temperature Range	-25 to +105 °C
Power Dissipation (Note 1)	200 mW	Lead Soldering Temp. (10 s).....	235 °C
Junction Temperature	150 °C		

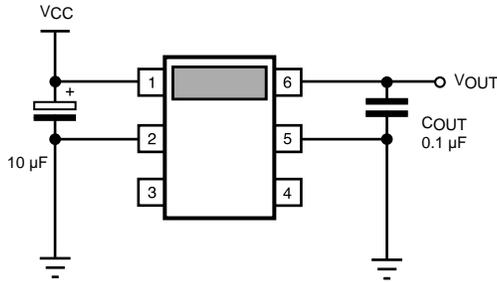
TK11044 ELECTRICAL CHARACTERISTICS

Test Conditions: $V_{CC} = 3.0 \text{ V}$, $I_{OUT} = 0 \text{ } \mu\text{A}$, $T_A = 25 \text{ } ^\circ\text{C}$, unless otherwise specified.

SYMBOL	PARAMETER	TEST CONDITIONS	MIN	TYP	MAX	UNITS
V_{OUT}	Output Voltage	$T_A = 25 \text{ } ^\circ\text{C}$	965	995	1025	mV
		$T_A = 85 \text{ } ^\circ\text{C}$	1573	1613	1653	mV
		$T_A = -25 \text{ } ^\circ\text{C}$		480		mV
T_C	Temperature Coefficient	$T_A = 25 \text{ } ^\circ\text{C}$ to $85 \text{ } ^\circ\text{C}$	9.5	10.3	11.1	mV/ °C
Line Reg	Line Regulation	$V_{CC} = 3 \text{ V}$ to 5 V	-20	-5	20	mV
Load Reg	Load Regulation	$I_{OUT} = 0 \text{ } \mu\text{A}$ to $400 \text{ } \mu\text{A}$		3	20	mV
I_{CC}	Supply Current	$T_A = 25 \text{ } ^\circ\text{C}$		160	200	μA
I_{OUT}	Output Current	$\Delta V_{OUT} \leq 20 \text{ mV}$			400	μA

Note 1: Power dissipation is 200 mW when mounted as recommended. Derate at 1.6 mW/°C for operation above 25 °C.

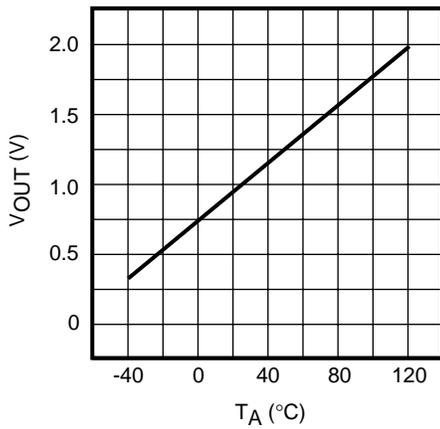
TEST CIRCUIT



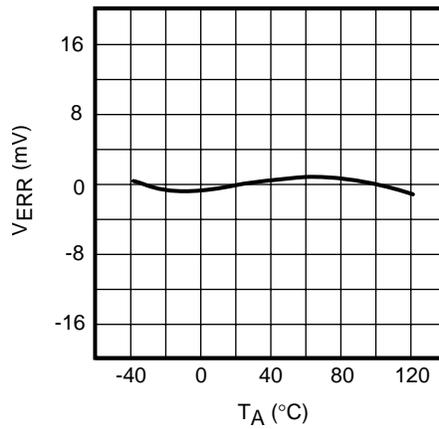
TYPICAL PERFORMANCE CHARACTERISTICS

$V_{CC} = 3\text{ V}$, $I_{OUT} = 0\ \mu\text{A}$, $T_A = 25\ ^\circ\text{C}$, unless otherwise specified.

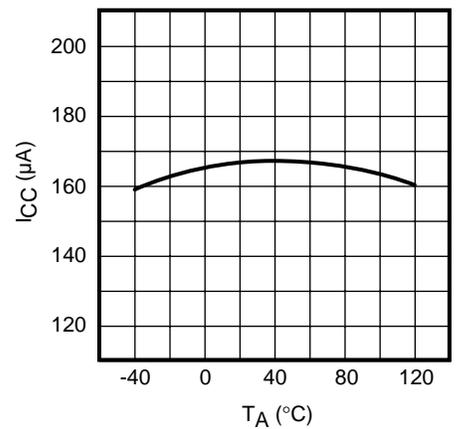
OUTPUT VOLTAGE vs. TEMPERATURE



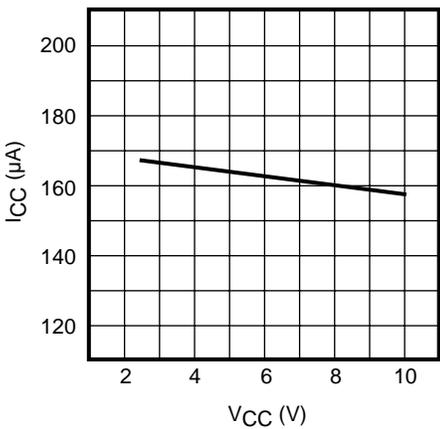
LINEARITY ERROR vs. TEMPERATURE



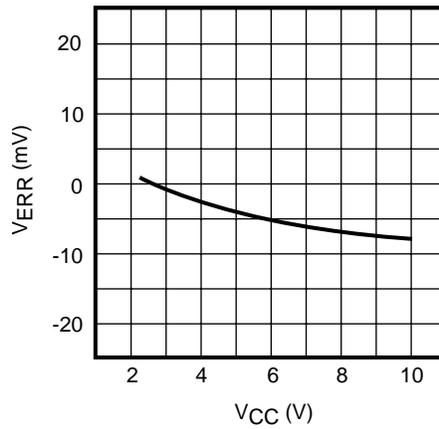
INPUT CURRENT vs. TEMPERATURE



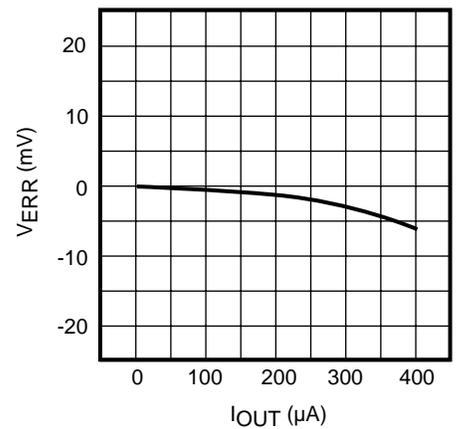
INPUT CURRENT vs. INPUT VOLTAGE



LINE REGULATION

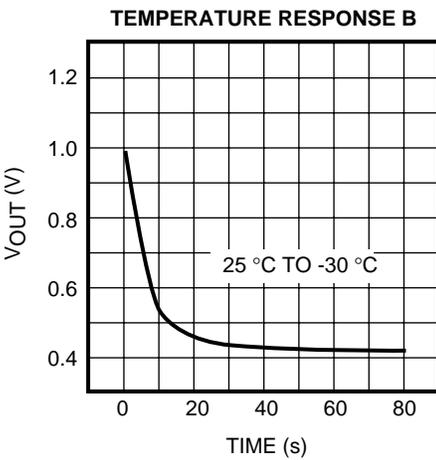
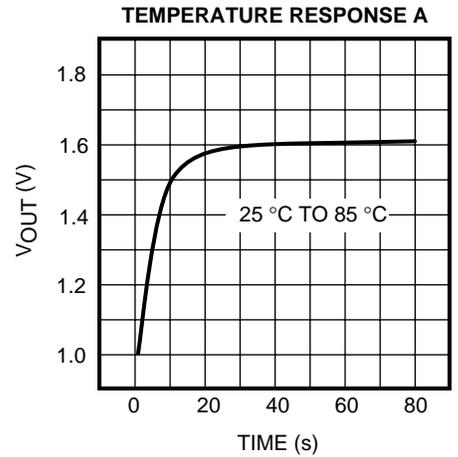
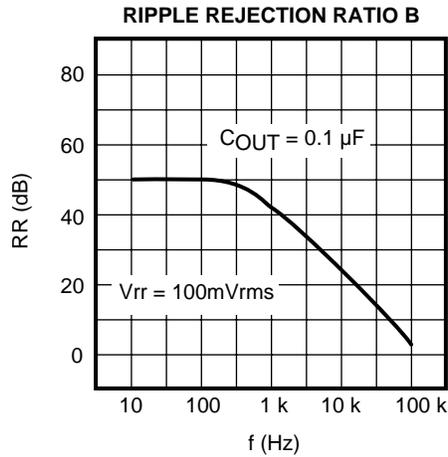
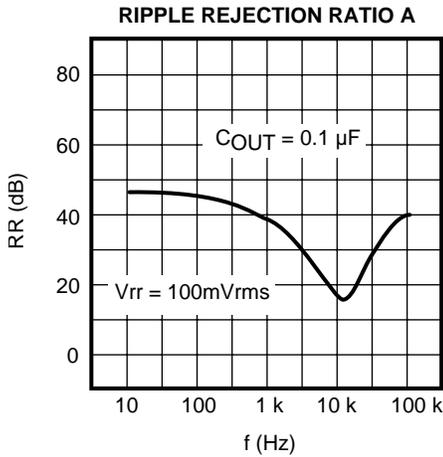


LOAD REGULATION



TYPICAL PERFORMANCE CHARACTERISTICS

$V_{CC} = 3\text{ V}$, $I_{OUT} = 0\ \mu\text{A}$, $T_A = 25\ ^\circ\text{C}$, unless otherwise specified.



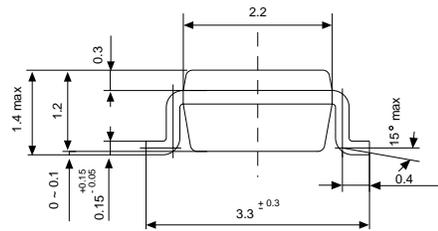
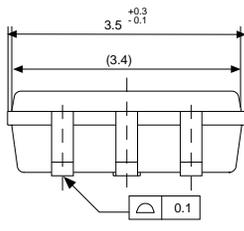
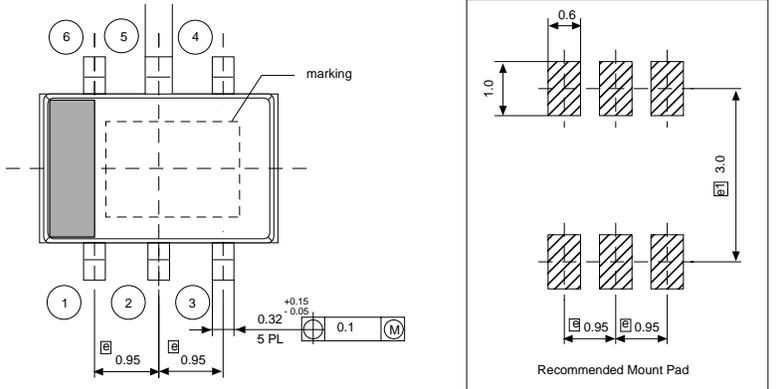
PACKAGE OUTLINE

Marking Information

SOT 23L-6

TK11044

Marking
44C



Dimensions are shown in millimeters.
Tolerance: x.x = ± 0.2 mm (unless otherwise specified)

The information furnished by TOKO, Inc. is believed to be accurate and reliable. However, TOKO reserves the right to make changes or improvements in the design, specification or manufacture of its products without further notice. TOKO does not assume any liability arising from the application or use of any product or circuit described herein, nor for any infringements of patents or other rights of third parties which may result from the use of its products. No license is granted by implication or otherwise under any patent or patent rights of TOKO, Inc.



TOKO AMERICA REGIONAL OFFICES

Midwest Regional Office
Toko America, Inc.
1250 Feehanville Drive
Mount Prospect, Il 60056
Tel: (847) 297-0070
Fax: (847) 699-7864

Western Regional Office
Toko America, Inc.
2480 North First Street, Suite 260
San Jose, CA 95131
Tel: (408) 432-8281
Fax: (408) 943-9790

Eastern Regional Office
Toko America, Inc.
107 Mill Plain Road
Danbury, CT 06811
Tel: (203) 748-6871
Fax: (203) 797-1223

Semiconductor Technical Support
Toko Design Center
4755 Forge Road
Colorado Springs, CO 80907
Tel: (719) 528-2200
Fax: (719) 528-2375