

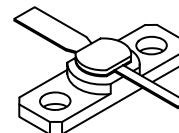
The RF Line Microwave Linear Power Transistors

Designed for Class A, common emitter linear power amplifiers.

- Specified 20 Volt, 1.6 GHz Characteristics
Output Power — 0.5, 0.8, 1.6 Watts
Gain — 9.0–12 dB
- Low Parasitic Microwave Stripline Package
- Gold Metallization Diffused Emitter Ballast Resistors
- Circuit board photomaster available upon request by contacting RF Tactical Marketing in Phoenix, AZ.

MRF3094
MRF3095

9.0–12 dB
1.55–1.65 GHz
0.5–1.6 WATTS
MICROWAVE LINEAR
POWER TRANSISTORS



CASE 328A-03, STYLE 2

MAXIMUM RATINGS

Rating	Symbol	Limit	Unit
Collector Base Voltage	V_{CES}	50	Vdc
Emitter Base Voltage	V_{EBO}	3.5	Vdc
Collector Emitter Voltage	V_{CEO}	22	Vdc
Collector Current	I_C	0.4	Adc
Operating Junction Temperature	T_J	200	°C
Storage Temperature	T_{stg}	-65 to +150	°C

THERMAL CHARACTERISTICS

Characteristic	Symbol	Max		Unit
		MRF3094	MRF3095	
Thermal Resistance, Junction to Case	$R_{\theta JC}$	40	35	°C/W



ELECTRICAL CHARACTERISTICS

Characteristic	Symbol	Min	Typ	Max	Unit	
OFF CHARACTERISTICS						
Collector–Emitter Breakdown Voltage ($I_C = 10\text{ mA}$)	MRF3094, MRF3095	$V_{(BR)CES}$	50	—	—	Vdc
Emitter Base Breakdown Voltage ($I_E = 0.25\text{ mA}$)	MRF3094, MRF3095	$V_{(BR)EBO}$	3.5	—	—	Vdc
Collector Base Breakdown Voltage ($I_C = 1.0\text{ mA}$)	MRF3094, MRF3095	$V_{(BR)CBO}$	45	—	—	Vdc
Collector–Emitter Breakdown Voltage ($I_C = 10\text{ mA}$)	MRF3094, MRF3095	$V_{(BR)CEO}$	22	—	—	Vdc
Collector Cutoff Current ($V_{CB} = 28\text{ V}$)	MRF3094, MRF3095	I_{CBO}	—	—	0.25	mAdc
ON CHARACTERISTICS						
DC Current Gain ($V_{CE} = 5.0\text{ V}$, $I_C = 100\text{ mA}$)	MRF3094, MRF3095	h_{fe}	20	35	120	—
DYNAMIC CHARACTERISTICS						
Output Capacitance ($V_{CB} = 28\text{ V}$, $f = 1.0\text{ MHz}$)	MRF3094, MRF3095	C_{ob}	—	—	3.5	pF
Functional Tests ($V_{CE} = 20\text{ V}$, $I_C = 120\text{ mA}$, $P_O = 0.5\text{ W}$, $f = 1.6\text{ GHz}$) ($V_{CE} = 20\text{ V}$, $I_C = 120\text{ mA}$, $P_O = 0.8\text{ W}$, $f = 1.6\text{ GHz}$)	MRF3094 MRF3095	G_{PE}	10.5 9.0	11.5 10	— —	dB
Output Load Mismatch ($V_{CE} = 20\text{ V}$, $I_C = 120\text{ mA}$, $P_O = 0.5\text{ W}$, $f = 1.6\text{ GHz}$, Load VSWR = $\infty:1$) ($V_{CE} = 20\text{ V}$, $I_C = 120\text{ mA}$, $P_O = 0.8\text{ W}$, $f = 1.6\text{ GHz}$, Load VSWR = $\infty:1$)	MRF3094 MRF3095	ψ	No degradation in output power			
Gain Linearity ($V_{CE} = 20\text{ V}$, $I_C = 120\text{ mA}$, $f = 1.6\text{ GHz}$, $P_{O1} = 0.5\text{ W}$, $P_{O2} = 0.5\text{ mW}$) ($V_{CE} = 20\text{ V}$, $I_C = 120\text{ mA}$, $f = 1.6\text{ GHz}$, $P_{O1} = 0.8\text{ W}$, $P_{O2} = 0.8\text{ mW}$)	MRF3094 MRF3095	L_G	— —	— —	–0.2 to +1.0 –0.2 to +1.0	dB

TYPICAL CHARACTERISTICS

V _{CE} (Volts)	I _C (mA)	f (MHz)	S ₁₁		S ₂₁		S ₁₂		S ₂₂	
			Mag	∠φ	Mag	∠φ	Mag	∠φ	Mag	∠φ
20	100	500	0.77	-177.9	6.16	83.7	0.36	31.9	0.32	-57.1
		600	0.78	176.7	5.20	77.2	0.38	32.2	0.30	-60.3
		700	0.78	171.8	4.48	71.1	0.40	33.4	0.29	-62.6
		800	0.78	167.4	3.90	66.3	0.41	35.0	0.29	-67.3
		900	0.79	163.3	3.46	61.2	0.42	36.6	0.28	-70.8
		1000	0.79	159.3	3.11	56.4	0.46	38.1	0.29	-74.5
		1100	0.80	155.7	2.81	52.0	0.48	39.2	0.29	-79.3
		1200	0.80	152.4	2.60	47.5	0.50	40.1	0.29	-83.3
		1300	0.80	149.3	2.40	43.5	0.53	40.7	0.30	-88.3
		1400	0.80	147.1	2.18	40.6	0.57	42.2	0.30	-93.3
		1500	0.81	143.6	2.06	34.3	0.59	41.0	0.30	-97.7
		1600	0.81	140.8	1.92	30.8	0.62	41.9	0.30	-103.4
		1700	0.82	137.9	1.81	27.9	0.66	42.5	0.31	-107.6
		1800	0.82	135.2	1.67	22.7	0.68	41.9	0.32	-112.7
		1900	0.83	132.7	1.61	19.4	0.71	41.9	0.33	-117.8
		2000	0.83	130.2	1.52	16.3	0.75	41.8	0.34	-121.3

Table 1. MRF3094 Common Emitter S-Parameters

MRF3094

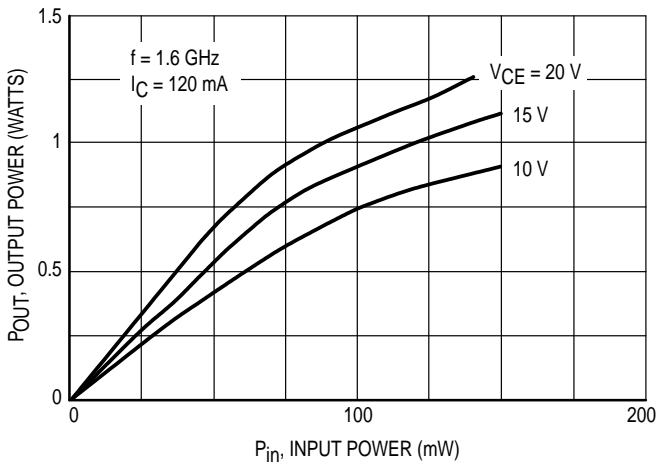


Figure 1. Output Power versus Input Power

f GHz	Z _{in} Ohms		Z _{OL} * Ohms	
	R	jx	R	jx
1.55	5.9	11.9	10.2	0.23
1.60	5.8	11.3	11.3	-2.4
1.65	5.6	10.6	12.4	-6.0

*Z_{OL} = Conjugate of the optimum load impedance into which the device output operates at a given output power, voltage and power.

Figure 2. Series Equivalent Input and Output Impedance

TYPICAL CHARACTERISTICS

V _{CE} (Volts)	I _C (mA)	f (MHz)	S ₁₁		S ₂₁		S ₁₂		S ₂₂	
			Mag	∠φ	Mag	∠φ	Mag	∠φ	Mag	∠φ
20	120	500	0.83	-177.4	4.90	71.1	0.29	21.7	0.36	-81.6
		600	0.83	179.6	4.08	64.4	0.30	22.1	0.37	-87.2
		700	0.83	176.9	3.48	59.3	0.31	23.6	0.39	-92.3
		800	0.83	175.0	3.20	52.8	0.34	23.2	0.42	-96.4
		900	0.82	171.6	2.70	48.6	0.33	25.0	0.43	-103.2
		1000	0.82	169.5	2.49	42.3	0.36	24.9	0.46	-107.6
		1100	0.83	167.4	2.26	37.0	0.38	25.2	0.48	-112.5
		1200	0.80	164.3	2.10	29.4	0.39	22.1	0.51	-117.7
		1300	0.81	162.2	1.87	27.9	0.41	25.9	0.54	-121.6
		1400	0.81	160.1	1.77	21.7	0.44	24.4	0.57	-125.3
		1500	0.80	157.8	1.63	15.2	0.45	22.4	0.58	-129.3
		1600	0.80	155.2	1.46	11.1	0.46	22.6	0.61	-131.7
		1700	0.80	152.3	1.42	9.6	0.48	23.9	0.66	-133.9
		1800	0.78	148.5	1.36	2.5	0.53	21.6	0.66	-136.6
		1900	0.77	144.5	1.25	-3.1	0.54	19.7	0.66	-139.3
		2000	0.78	141.0	1.17	-5.6	0.58	20.3	0.67	-141.9

Table 2. MRF3095 Common Emitter S-Parameters

MRF3095

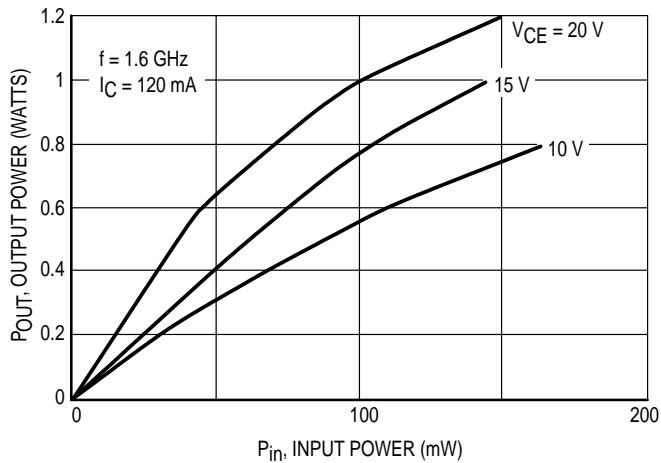


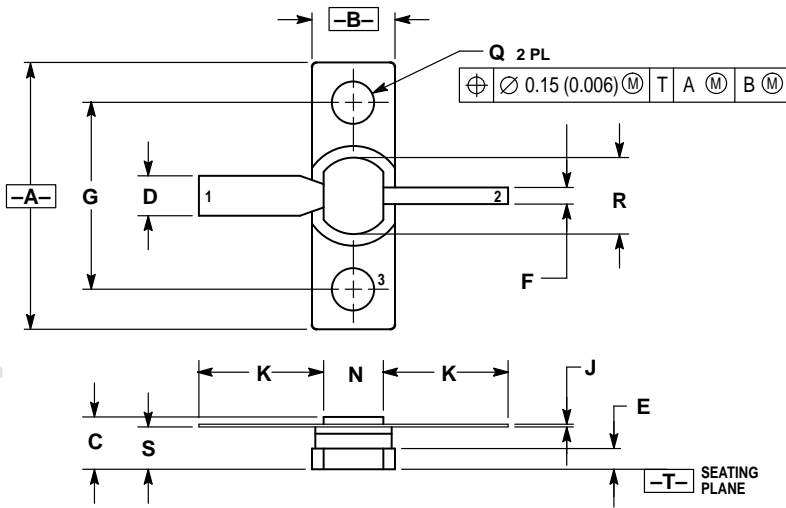
Figure 3. Output Power versus Input Power

f GHz	Z _{in} Ohms		Z _{OL} * Ohms	
	R	jx	R	jx
1.55	5.2	10.6	8.6	-22.4
1.60	4.9	9.9	9.6	-25.4
1.65	4.8	9.3	10.3	-27.8

*Z_{OL} = Conjugate of the optimum load impedance into which the device output operates at a given output power, voltage and power.

Figure 4. Series Equivalent Input and Output Impedance

PACKAGE DIMENSIONS




- NOTES:
 1. DIMENSIONING AND TOLERANCING PER ANSI Y14.5M, 1982.
 2. CONTROLLING DIMENSION: INCH.

DIM	INCHES		MILLIMETERS	
	MIN	MAX	MIN	MAX
A	0.795	0.805	20.20	20.45
B	0.245	0.255	6.23	6.47
C	0.145	0.170	3.69	4.31
D	0.115	0.125	2.93	3.17
E	0.055	0.065	1.40	1.65
F	0.045	0.055	1.15	1.39
G	0.562 BSC		14.27 BSC	
J	0.003	0.006	0.08	0.15
K	0.260	0.375	6.60	9.52
N	0.175	0.185	4.45	4.69
Q	0.120	0.135	3.05	3.42
R	0.225	0.235	5.72	5.97
S	0.120	0.130	3.05	3.30

- STYLE 2:
 1. BASE
 2. COLLECTOR
 3. EMITTER

**CASE 328A-03
 ISSUE E**

Motorola reserves the right to make changes without further notice to any products herein. Motorola makes no warranty, representation or guarantee regarding the suitability of its products for any particular purpose, nor does Motorola assume any liability arising out of the application or use of any product or circuit, and specifically disclaims any and all liability, including without limitation consequential or incidental damages. "Typical" parameters which may be provided in Motorola data sheets and/or specifications can and do vary in different applications and actual performance may vary over time. All operating parameters, including "Typicals" must be validated for each customer application by customer's technical experts. Motorola does not convey any license under its patent rights nor the rights of others. Motorola products are not designed, intended, or authorized for use as components in systems intended for surgical implant into the body, or other applications intended to support or sustain life, or for any other application in which the failure of the Motorola product could create a situation where personal injury or death may occur. Should Buyer purchase or use Motorola products for any such unintended or unauthorized application, Buyer shall indemnify and hold Motorola and its officers, employees, subsidiaries, affiliates, and distributors harmless against all claims, costs, damages, and expenses, and reasonable attorney fees arising out of, directly or indirectly, any claim of personal injury or death associated with such unintended or unauthorized use, even if such claim alleges that Motorola was negligent regarding the design or manufacture of the part. Motorola and  are registered trademarks of Motorola, Inc. Motorola, Inc. is an Equal Opportunity/Affirmative Action Employer.

Mfax is a trademark of Motorola, Inc.

How to reach us:

USA/EUROPE/Locations Not Listed: Motorola Literature Distribution;
P.O. Box 5405, Denver, Colorado 80217. 303-675-2140 or 1-800-441-2447

JAPAN: Nippon Motorola Ltd.: SPD, Strategic Planning Office, 4-32-1,
Nishi-Gotanda, Shinagawa-ku, Tokyo 141, Japan. 81-3-5487-8488

Mfax™: RMFAX0@email.sps.mot.com – TOUCHTONE 602-244-6609
– US & Canada ONLY 1-800-774-1848

ASIA/PACIFIC: Motorola Semiconductors H.K. Ltd.; 8B Tai Ping Industrial Park,
51 Ting Kok Road, Tai Po, N.T., Hong Kong. 852-26629298

INTERNET: <http://motorola.com/sps>

