

10/100/1000BASE-T CONTROLLER WITH INTEGRATED TRANSCEIVER

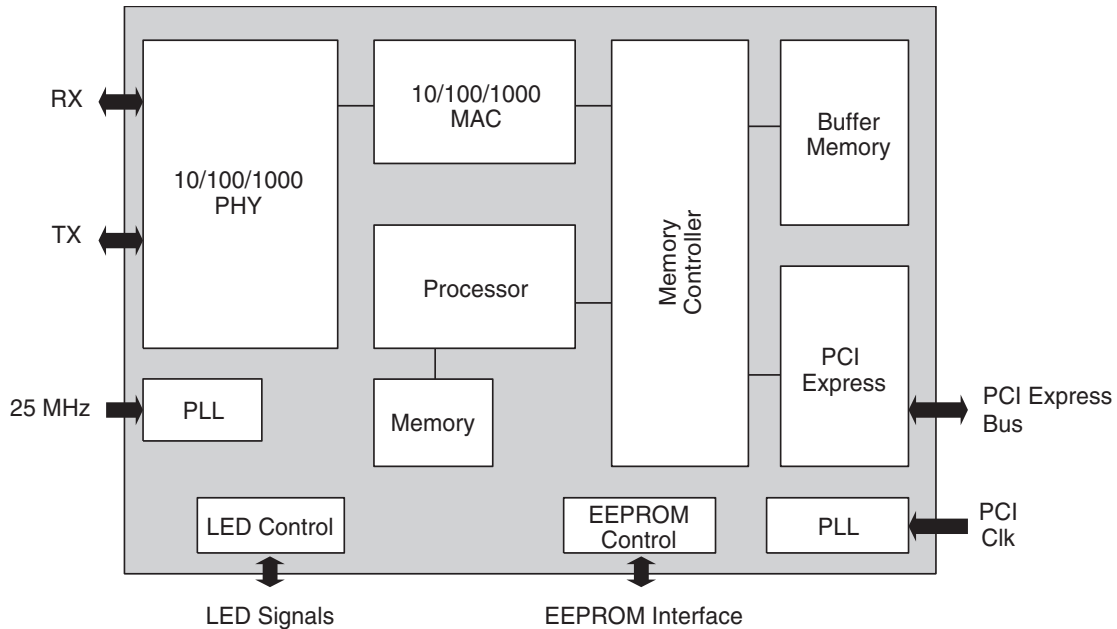
FEATURES

- **Single-chip device for desktop LAN-on-Motherboard (LoM) or network interface card (NIC) applications**
- **Integrated 10/100/1000BASE-T transceiver**
 - 10/100/1000BASE-T triple-speed MAC
 - High-speed RISC core with 24-KB cache
 - On-chip voltage regulation
 - Wake-on-LAN power switching circuit
- **PCI Express® host interface**
 - 1x lane
 - 4-pin interface
 - Functionality identical to PCI
- **Performance features**
 - TCP, IP, and UDP checksum
 - Large burst read
- **Robust Wake on LAN (WoL)**
 - Standards-compliant WoL
 - Innovative out-of-box mode WoL
 - Hardware power switching
 - Comprehensive diagnostic and configuration software suite
- **Industry-compliant alerting features**
 - Secure power-on and power-off
 - Fast hardware authentication (SHA-1, HMAC, MD5)
 - True hardware random number generation
- **3.3V I/Os (5V-tolerant)**
- **JTAG**

SUMMARY OF BENEFITS

- **Wirespeed performance increases user performance**
 - PCI Express provides wirespeed non-blocking throughput
 - TCP/IP stack offloads significantly reduce utilization of CPU
 - TCP/IP stack offloads significantly increase throughput to enable faster downloads of large files
- **Industry's smallest GbE form factor enables easier motherboard design**
 - Innovative design reduces footprint to 67% smaller than competing solutions
 - 15mm x 15 mm package
 - Integrated WoL switching eliminates external power switching components
- **Design flexibility allows feature consistency across SKUs**
 - Common motherboard layout enabling support for both PCI- and PCI-Express-based Ethernet controllers
 - Layout compatible with the following 10/100BASE-T and 10/100/1000BASE-T devices: BCM5752, BCM5751, BCM5705E, BCM5788E, BCM4401E
 - Single software driver image across PCI and PCI Express platforms

OVERVIEW



The BCM5789 is a fully integrated 10/100/1000BASE-T Gigabit Ethernet media access control and physical layer transceiver solution for high-performance network applications. The BCM5789 combines a triple-speed, IEEE 802.3 compliant media access controller (MAC), PCI Express bus interface, on-chip buffer memory, and integrated physical layer transceiver in a single device. It is fabricated in a low-voltage silicon process, providing an ultra-low power solution. By itself, the BCM5789 provides a complete single-chip Gigabit Ethernet NIC or LOM solution.

The BCM5789 includes a 10/100/1000-Mbps Ethernet MAC with full/half-duplex capability at all speeds. Support for the following 802.3 functions is featured in the MAC: VLAN tagging, layer 2 priority encoding, and full-duplex flow control.

The transceiver is fully compatible with the IEEE 802.3 standard for auto-negotiation of speed. Additionally, several plug-and-play enhancements are included to make the device even more user-friendly. A unique integrated cable analyzer feature allows an end user to diagnose any issues with the network cabling that could affect the host

machine. A link quality indicator LED and a GUI application give installers an instant visual indication of problems. This includes physical wiring defects or channel conditions, such as excessive cable length, return loss, crosstalk, echo, and noise.

Broadcom's remote cable management and diagnostics software can be used with the device to provide remote management of the cable and a first level of diagnostics and fault isolation.

Target applications of the BCM5789:

- Desktop PC NIC
- Desktop PC LOM

Software drivers available:

- Windows® 98, NT, 2000, XP
- Linux® 2.2, 2.4

Broadcom®, the pulse logo, **Connecting everything®**, and the Connecting everything logo are among the trademarks of Broadcom Corporation and/or its affiliates in the United States, certain other countries and/or the EU. Any other trademarks or trade names mentioned are the property of their respective owners.

Connecting
everything®



BROADCOM CORPORATION
16215 Alton Parkway, P.O. Box 57013
Irvine, California 92619-7013

© 2005 by BROADCOM CORPORATION. All rights reserved.

5789-PB00-R 05/10/05

Phone: 949-450-8700
Fax: 949-450-8710
E-mail: info@broadcom.com
Web: www.broadcom.com