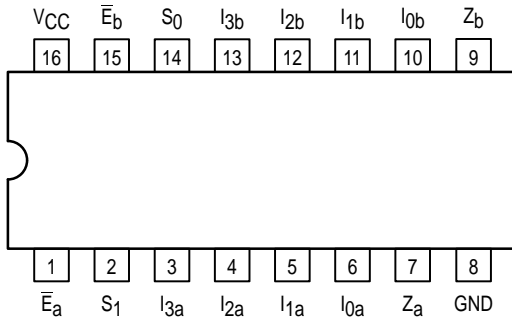




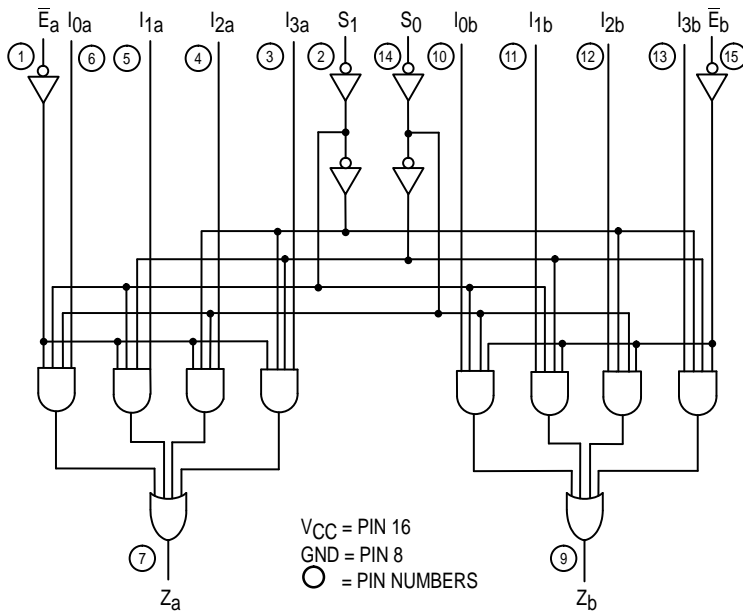
# DUAL 4-INPUT MULTIPLEXER

The MC54/74F153 is a high-speed Dual 4-Input Multiplexer with common select inputs and individual enable inputs for each section. It can select two lines of data from four sources. The two buffered outputs present data in the true (non-inverted) form. In addition to multiplexer operation, the F153 can generate any two functions of three variables.

**CONNECTION DIAGRAM DIP (TOP VIEW)**

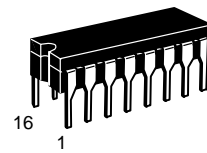


**LOGIC DIAGRAM**

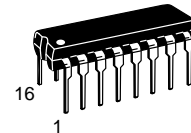


## MC54/74F153

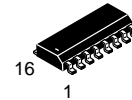
**DUAL 4-INPUT  
MULTIPLEXER**  
FAST™ SHOTTKY TTL



**J SUFFIX**  
CERAMIC  
CASE 620-09



**N SUFFIX**  
PLASTIC  
CASE 648-08



**D SUFFIX**  
SOIC  
CASE 751B-03

**ORDERING INFORMATION**

MC54FXXXJ Ceramic  
MC74FXXXN Plastic  
MC74FXXXD SOIC

**GUARANTEED OPERATING RANGES**

Symbol	Parameter		Min	Typ	Max	Unit
VCC	Supply Voltage	54, 74	4.5	5.0	5.5	V
TA	Operating Ambient Temperature Range	54	-55	25	125	°C
		74	0	25	70	
IOH	Output Current — High	54, 74			-1.0	mA
IOL	Output Current — Low	54, 74			20	mA

# MC54/74F153

## FUNCTIONAL DESCRIPTION

The MC54/74F153 is a Dual 4-Input Multiplexer. It can select two bits of data from up to four sources under the control of the common Select Inputs ( $S_0$ ,  $S_1$ ). The two 4-input multiplexer circuits have individual active LOW Enables ( $\bar{E}_a$ ,  $\bar{E}_b$ ) which can be used to strobe the outputs independently. When the Enables ( $\bar{E}_a$ ,  $\bar{E}_b$ ) are HIGH, the corresponding outputs ( $Z_a$ ,  $Z_b$ ) are forced LOW.

The F153 is the logic implementation of a 2-pole, 4-position switch, where the position of the switch is determined by the logic levels supplied to the two Select Inputs. The logic equations for the outputs are shown below:

$$Z_a = \bar{E}_a \cdot (I_{0a} \cdot \bar{S}_1 \cdot \bar{S}_0 + I_{1a} \cdot \bar{S}_1 \cdot S_0 + I_{2a} \cdot S_1 \cdot \bar{S}_0 + I_{3a} \cdot S_1 \cdot S_0)$$

$$Z_b = \bar{E}_b \cdot (I_{0b} \cdot \bar{S}_1 \cdot \bar{S}_0 + I_{1b} \cdot \bar{S}_1 \cdot S_0 + I_{2b} \cdot S_1 \cdot \bar{S}_0 + I_{3b} \cdot S_1 \cdot S_0)$$

The F153 can be used to move data from a group of registers to a common output bus. The particular register from which the data came would be determined by the state of the Select Inputs. A less obvious application is as a function generator. The F153 can generate two functions of three variables. This is useful for implementing highly irregular random logic.

## FUNCTION TABLE

Select Inputs		Inputs (a or b)					Output
$S_0$	$S_1$	$\bar{E}$	$I_0$	$I_1$	$I_2$	$I_3$	Z
X	X	H	X	X	X	X	L
L	L	L	L	X	X	X	L
L	L	L	H	X	X	X	H
H	L	L	X	L	X	X	L
H	L	L	X	H	X	X	H
L	H	L	X	X	L	X	L
L	H	L	X	X	H	X	H
H	H	L	X	X	X	L	L
H	H	L	X	X	X	H	H

H = HIGH Voltage Level; L = LOW Voltage Level; X = Don't Care

## DC CHARACTERISTICS OVER OPERATING TEMPERATURE RANGE (unless otherwise specified)

Symbol	Parameter	Limits			Unit	Test Conditions
		Min	Typ	Max		
$V_{IH}$	Input HIGH Voltage	2.0			V	Guaranteed Input HIGH Voltage
$V_{IL}$	Input LOW Voltage			0.8	V	Guaranteed Input LOW Voltage
$V_{IK}$	Input Clamp Diode Voltage			-1.2	V	$I_{IN} = -18 \text{ mA}$ , $V_{CC} = \text{MIN}$
$V_{OH}$	Output HIGH Voltage	54, 74	2.5		V	$I_{OL} = -1.0 \text{ mA}$ , $V_{CC} = 4.50 \text{ V}$
		74	2.7		V	$I_{OL} = -1.0 \text{ mA}$ , $V_{CC} = 4.75 \text{ V}$
$V_{OL}$	Output LOW Voltage			0.5	V	$I_{OL} = 20 \text{ mA}$ , $V_{CC} = \text{MIN}$
$I_{IH}$	Input HIGH Current			20	$\mu\text{A}$	$V_{IN} = 2.7 \text{ V}$ , $V_{CC} = \text{MAX}$
				0.1	mA	$V_{IN} = 7.0 \text{ V}$ , $V_{CC} = \text{MAX}$
$I_{IL}$	Input LOW Current			-0.6	mA	$V_{IN} = 0.5 \text{ V}$ , $V_{CC} = \text{MAX}$
$I_{OS}$	Output Short Circuit Current (Note 2)	-60		-150	mA	$V_{OUT} = 0 \text{ V}$ , $V_{CC} = \text{MAX}$
$I_{CC}$	Power Supply Current			20	mA	$V_{IN} = \text{GND}$ , $V_{CC} = \text{MAX}$

### NOTES:

- For conditions shown as MIN or MAX, use the appropriate value specified under recommended operating conditions for the applicable device type.
- Not more than one output should be shorted at a time, nor for more than 1 second.

# MC54/74F153

## AC CHARACTERISTICS

Symbol	Parameter	54/74F		54F		74F		Unit
		T <sub>A</sub> = +25°C V <sub>CC</sub> = +5.0 V C <sub>L</sub> = 50 pF		T <sub>A</sub> = -55°C to +125°C V <sub>CC</sub> = 5.0 V ±10% C <sub>L</sub> = 50 pF		T <sub>A</sub> = 0°C to 70°C V <sub>CC</sub> = 5.0 V ±10% C <sub>L</sub> = 50 pF		
		Min	Max	Min	Max	Min	Max	
t <sub>PLH</sub>	Propagation Delay	4.5	10.5	4.5	14	4.5	12	ns
t <sub>PHL</sub>	S <sub>n</sub> to Z <sub>n</sub>	3.5	9.0	3.5	11	3.5	10.5	
t <sub>PLH</sub>	Propagation Delay	4.5	9.0	4.5	11.5	4.5	10.5	ns
t <sub>PHL</sub>	$\bar{E}_n$ to Z <sub>n</sub>	3.0	7.0	2.5	9.0	2.5	8.0	
t <sub>PLH</sub>	Propagation Delay	3.0	7.0	2.5	9.0	3.0	8.0	ns
t <sub>PHL</sub>	I <sub>n</sub> to Z <sub>n</sub>	3.0	6.5	2.5	8.0	2.5	7.5	