

# Analog Multiplexers/ Demultiplexers with Address Latch

## High-Performance Silicon-Gate CMOS

The MC54/74HC4351, and MC54/74HC4353 utilize silicon-gate CMOS technology to achieve fast propagation delays, low ON resistances, and low OFF leakage currents. These analog multiplexers/demultiplexers control analog voltages that may vary across the complete power supply range (from  $V_{CC}$  to  $V_{EE}$ ).

The Channel-Select inputs determine which one of the Analog Inputs/Outputs is to be connected, by means of an analog switch, to the Common Output/Input. The data at the Channel-Select inputs may be latched by using the active-low Latch Enable pin. When Latch Enable is high, the latch is transparent. When either Enable 1 (active low) or Enable 2 (active high) is inactive, all analog switches are turned off.

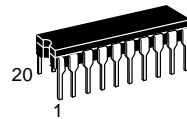
The Channel-Select and Enable inputs are compatible with standard CMOS outputs; with pullup resistors, they are compatible with LSTTL outputs.

These devices have been designed so that the ON resistance ( $R_{ON}$ ) is more linear over input voltage than  $R_{ON}$  of metal-gate CMOS analog switches.

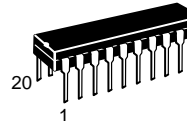
For multiplexers/demultiplexers without latches, see the HC4051, HC4052, and HC4053.

- Fast Switching and Propagation Speeds
- Low Crosstalk Between Switches
- Diode Protection on All Inputs/Outputs
- Analog Power Supply Range ( $V_{CC} - V_{EE}$ ) = 2.0 to 12.0 V
- Digital (Control) Power Supply Range ( $V_{CC} - GND$ ) = 2.0 to 6.0 V
- Improved Linearity and Lower ON Resistance than Metal-Gate Types
- Low Noise
- In Compliance with the Requirements Defined by JEDEC Standard No. 7A
- Chip Complexity: HC4351 — 222 FETs or 55.5 Equivalent Gates  
HC4353 — 186 FETs or 46.5 Equivalent Gates

## MC54/74HC4351 MC54/74HC4353



**J SUFFIX**  
CERAMIC PACKAGE  
CASE 732-03



**N SUFFIX**  
PLASTIC PACKAGE  
CASE 738-03

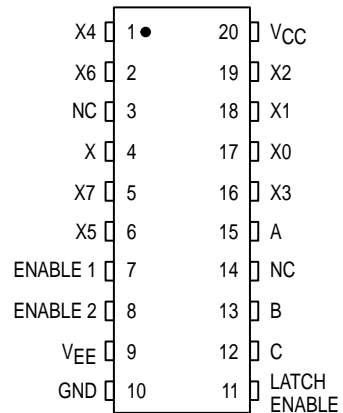


**DW SUFFIX**  
SOIC PACKAGE  
CASE 751D-04

### ORDERING INFORMATION

MC54HCXXXXJ	Ceramic
MC74HCXXXXN	Plastic
MC74HCXXXXDW	SOIC

### PIN ASSIGNMENT MC54/74HC4351

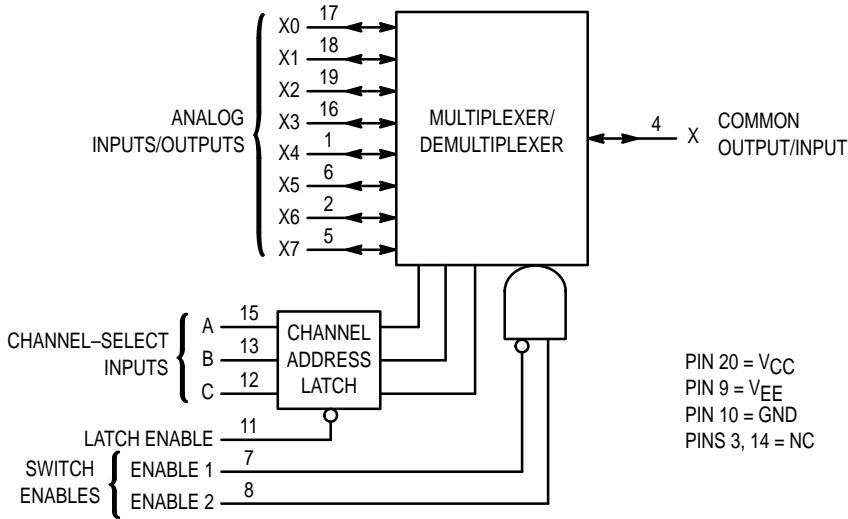


NC = NO CONNECTION



**LOGIC DIAGRAM  
MC54/74HC4351**

**Single-Pole, 8-Position Plus Common Off and Address Latch**



**FUNCTION TABLE  
MC54/74HC4351**

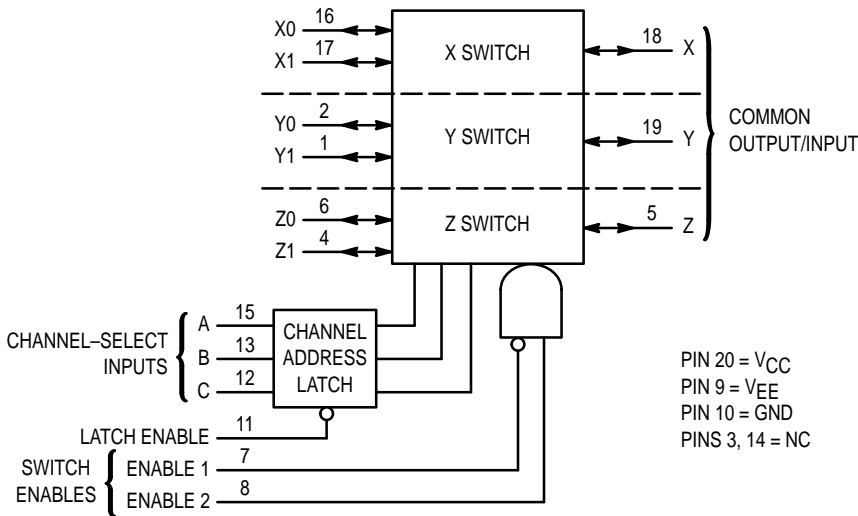
Control Inputs					ON Channel (LE = H)*
Enable		Select			
1	2	C	B	A	
L	H	L	L	L	X0
L	H	L	L	H	X1
L	H	L	H	L	X2
L	H	L	H	H	X3
L	H	H	L	L	X4
L	H	H	L	H	X5
L	H	H	H	L	X6
L	H	H	H	H	X7
H	X	X	X	X	None
X	L	X	X	X	None

X = don't care

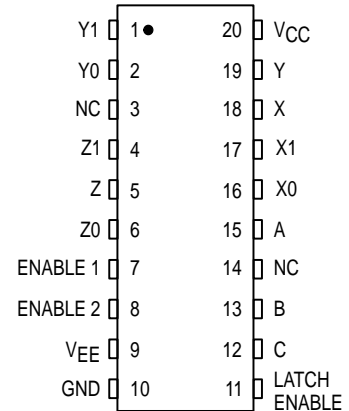
\* When Latch Enable is low, the Channel Selection is latched and the Channel Address Latch does not change states.

**BLOCK DIAGRAM  
MC54/74HC4353**

**Triple Single-Pole, Double-Position Plus Common Off and Address Latch**



**PIN ASSIGNMENT**



NC = NO CONNECTION

**FUNCTION TABLE**

Control Inputs					On Channel (LE = H)*		
Enable		Select			Z	Y	X
1	2	C	B	A			
L	H	L	L	L	Z0	Y0	X0
L	H	L	L	H	Z0	Y0	X1
L	H	L	H	L	Z0	Y1	X0
L	H	L	H	H	Z0	Y1	X1
L	H	H	L	L	Z1	Y0	X0
L	H	H	L	H	Z1	Y0	X1
L	H	H	H	L	Z1	Y1	X0
L	H	H	H	H	Z1	Y1	X1
H	X	X	X	X			None
X	L	X	X	X			None

X = Don't Care

\* When Latch Enable is low, the Channel Selection is latched and the Channel Address Latch does not change states.

**MAXIMUM RATINGS\***

Symbol	Parameter	Value	Unit
V <sub>CC</sub>	Positive DC Supply Voltage (Ref. to GND) (Ref. to V <sub>EE</sub> )	- 0.5 to + 7.0 - 0.5 to 14.0	V
V <sub>EE</sub>	Negative DC Supply Voltage (Ref. to GND)	- 7.0 to + 0.5	V
V <sub>IS</sub>	Analog Input Voltage	V <sub>EE</sub> - 0.5 to V <sub>CC</sub> + 0.5	V
V <sub>in</sub>	DC Input Voltage (Ref. to GND)	- 1.5 to V <sub>CC</sub> + 1.5	V
I	DC Current Into or Out of Any Pin	± 25	mA
P <sub>D</sub>	Power Dissipation in Still Air, Plastic or Ceramic DIP† SOIC Package†	750 500	mW
T <sub>stg</sub>	Storage Temperature	- 65 to + 150	°C
T <sub>L</sub>	Lead Temperature, 1 mm from Case for 10 Seconds (Plastic DIP or SOIC Package) (Ceramic DIP)	260 300	°C

This device contains protection circuitry to guard against damage due to high static voltages or electric fields. However, precautions must be taken to avoid applications of any voltage higher than maximum rated voltages to this high-impedance circuit. For proper operation, V<sub>in</sub> and V<sub>out</sub> should be constrained to the ranges indicated in the Recommended Operating Conditions.

Unused digital input pins must be tied to an appropriate logic voltage level (e.g., either GND or V<sub>CC</sub>). Unused Analog I/O pins may be left open or terminated. See Applications Information.

\* Maximum Ratings are those values beyond which damage to the device may occur. Functional operation should be restricted to the Recommended Operating Conditions.

† Derating — Plastic DIP: - 10 mW/°C from 65° to 125°C  
Ceramic DIP: - 10 mW/°C from 100° to 125°C  
SOIC Package: - 7 mW/°C from 65° to 125°C

For high frequency or heavy load considerations, see Chapter 2 of the Motorola High-Speed CMOS Data Book (DL129/D).

**RECOMMENDED OPERATING CONDITIONS**

Symbol	Parameter	Min	Max	Unit	
V <sub>CC</sub>	Positive DC Supply Voltage (Ref. to GND) (Ref. to V <sub>EE</sub> )	2.0 2.0	6.0 12.0	V	
V <sub>EE</sub>	Negative DC Supply Voltage (Ref. to GND)	- 6.0	GND	V	
V <sub>IS</sub>	Analog Input Voltage	V <sub>EE</sub>	V <sub>CC</sub>	V	
V <sub>in</sub>	Digital Input Voltage (Ref. to GND)	GND	V <sub>CC</sub>	V	
V <sub>IO*</sub>	Static or Dynamic Voltage Across Switch	—	1.2	V	
T <sub>A</sub>	Operating Temperature, All Package Types	- 55	+ 125	°C	
t <sub>r</sub> , t <sub>f</sub>	Input Rise and Fall Time, Channel Select or Enable Inputs (Figure 9a)	V <sub>CC</sub> = 2.0 V V <sub>CC</sub> = 4.5 V V <sub>CC</sub> = 6.0 V	0 0 0	1000 500 400	ns

\* For voltage drops across the switch greater than 1.2 V (switch on), excessive V<sub>CC</sub> current may be drawn; i.e., the current out of the switch may contain both V<sub>CC</sub> and switch input components. The reliability of the device will be unaffected unless the Maximum Ratings are exceeded.

**DC ELECTRICAL CHARACTERISTICS** Digital Section (Voltages Referenced to GND) V<sub>EE</sub> = GND, Except Where Noted

Symbol	Parameter	Test Conditions	V <sub>CC</sub> V	Guaranteed Limit			Unit
				- 55 to 25°C	≤ 85°C	≤ 125°C	
V <sub>IH</sub>	Minimum High-Level Input Voltage, Channel-Select or Enable Inputs	R <sub>on</sub> = Per Spec	2.0 4.5 6.0	1.5 3.15 4.2	1.5 3.15 4.2	1.5 3.15 4.2	V
V <sub>IL</sub>	Maximum Low-Level Input Voltage, Channel-Select or Enable Inputs	R <sub>on</sub> = Per Spec	2.0 4.5 6.0	0.3 0.9 1.2	0.3 0.9 1.2	0.3 0.9 1.2	V
I <sub>in</sub>	Maximum Input Leakage Current, Channel-Select or Enable Inputs	V <sub>in</sub> = V <sub>CC</sub> or GND, V <sub>EE</sub> = - 6.0 V	6.0	± 0.1	± 1.0	± 1.0	µA
I <sub>CC</sub>	Maximum Quiescent Supply Current (per Package)	Channel Select = V <sub>CC</sub> or GND Enables = V <sub>CC</sub> or GND V <sub>IS</sub> = V <sub>CC</sub> or GND V <sub>IO</sub> = 0 V	6.0 6.0	2 8	20 80	40 160	µA

NOTE: Information on typical parametric values can be found in Chapter 2 of the Motorola High-Speed CMOS Data Book (DL129/D).

# MC54/74HC4351 MC54/74HC4353

## DC ELECTRICAL CHARACTERISTICS Analog Section

Symbol	Parameter	Test Conditions	V <sub>CC</sub> V	V <sub>EE</sub> V	Guaranteed Limit			Unit
					- 55 to 25°C	≤ 85°C	≤ 125°C	
R <sub>on</sub>	Maximum "ON" Resistance	V <sub>in</sub> = V <sub>IL</sub> or V <sub>IH</sub> V <sub>IS</sub> = V <sub>CC</sub> to V <sub>EE</sub> I <sub>S</sub> ≤ 2.0 mA (Figures 1, 2)	4.5	0.0	190	240	280	Ω
			4.5	- 4.5	120	150	170	
			6.0	- 6.0	100	125	140	
		4.5	0.0	150	190	230		
		4.5	- 4.5	100	125	140		
		6.0	- 6.0	80	100	115		
ΔR <sub>on</sub>	Maximum Difference in "ON" Resistance Between Any Two Channels in the Same Package	V <sub>in</sub> = V <sub>IL</sub> or V <sub>IH</sub> V <sub>IS</sub> = 1/2 (V <sub>CC</sub> - V <sub>EE</sub> ) I <sub>S</sub> ≤ 2.0 mA	4.5	0.0	30	35	40	Ω
			4.5	- 4.5	12	15	18	
			6.0	- 6.0	10	12	14	
I <sub>off</sub>	Maximum Off-Channel Leakage Current, Any One Channel	V <sub>in</sub> = V <sub>IL</sub> or V <sub>IH</sub> V <sub>IO</sub> = V <sub>CC</sub> - V <sub>EE</sub> Switch Off (Figure 3)	6.0	- 6.0	0.1	0.5	1.0	μA
			6.0	- 6.0	0.2	2.0	4.0	
	Maximum Off-Channel Leakage Current, Common Channel HC4351 HC4353	V <sub>in</sub> = V <sub>IL</sub> or V <sub>IH</sub> V <sub>IO</sub> = V <sub>CC</sub> - V <sub>EE</sub> Switch Off (Figure 4)	6.0	- 6.0	0.1	1.0	2.0	
			6.0	- 6.0	0.1	1.0	2.0	
I <sub>on</sub>	Maximum On-Channel Leakage Current, Channel to Channel HC4351 HC4353	V <sub>in</sub> = V <sub>IL</sub> or V <sub>IH</sub> Switch to Switch = V <sub>CC</sub> - V <sub>EE</sub> (Figure 5)	6.0	- 6.0	0.2	2.0	4.0	μA
			6.0	- 6.0	0.1	1.0	2.0	
			6.0	- 6.0	0.1	1.0	2.0	

## AC ELECTRICAL CHARACTERISTICS (C<sub>L</sub> = 50 pF, Input t<sub>r</sub> = t<sub>f</sub> = 6 ns)

Symbol	Parameter	V <sub>CC</sub> V	Guaranteed Limit			Unit	
			- 55 to 25°C	≤ 85°C	≤ 125°C		
t <sub>PLH</sub> , t <sub>PHL</sub>	Maximum Propagation Delay, Channel-Select to Analog Output (Figure 9)	2.0	370	465	550	ns	
		4.5	74	93	110		
		6.0	63	79	94		
t <sub>PLH</sub> , t <sub>PHL</sub>	Maximum Propagation Delay, Analog Input to Analog Output (Figure 10)	2.0	60	75	90	ns	
		4.5	12	15	18		
		6.0	10	13	15		
t <sub>PLH</sub> , t <sub>PHL</sub>	Maximum Propagation Delay, Latch Enable to Analog Output (Figure 12)	2.0	325	410	485	ns	
		4.5	65	82	97		
		6.0	55	70	82		
t <sub>PLZ</sub> , t <sub>PHZ</sub>	Maximum Propagation Delay, Enable 1 or 2 to Analog Output (Figure 11)	2.0	290	365	435	ns	
		4.5	58	73	87		
		6.0	49	62	74		
t <sub>PZL</sub> , t <sub>PZH</sub>	Maximum Propagation Delay, Enable 1 or 2 to Analog Output (Figure 11)	2.0	345	435	515	ns	
		4.5	69	87	103		
		6.0	59	74	87		
C <sub>in</sub>	Maximum Input Capacitance	—	10	10	10	pF	
C <sub>I/O</sub>	Maximum Capacitance Analog I/O Common O/I: HC4351 HC4353 Feedthrough	Enable 1 = V <sub>IH</sub> , Enable 2 = V <sub>IL</sub>	—	35	35	35	pF
			—	130	130	130	
			—	50	50	50	
—	—	—	1.0	1.0	1.0	—	

### NOTES:

- For propagation delays with loads other than 50 pF, see Chapter 2 of the Motorola High-Speed CMOS Data Book (DL129/D).
- Information on typical parametric values can be found in Chapter 2 of the Motorola High-Speed CMOS Data Book (DL129/D).

C <sub>PD</sub>	Power Dissipation Capacitance (Per Package) (Figure 14)*	Typical @ 25°C, V <sub>CC</sub> = 5.0 V		pF
		45 (HC4351)	45 (HC4353)	

\* Used to determine the no-load dynamic power consumption: P<sub>D</sub> = C<sub>PD</sub> V<sub>CC</sub><sup>2</sup>f + I<sub>CC</sub> V<sub>CC</sub>. For load considerations, see Chapter 2 of the Motorola High-Speed CMOS Data Book (DL129/D).

**TIMING REQUIREMENTS** (Input  $t_r = t_f = 6$  ns)

Symbol	Parameter	VCC V	Guaranteed Limit			Unit
			- 55 to 25°C	≤ 85°C	≤ 125°C	
$t_{su}$	Minimum Setup Time, Channel-Select to Latch Enable (Figure 12)	2.0	100	125	150	ns
		4.5	20	25	30	
		6.0	17	21	26	
$t_h$	Minimum Hold Time, Latch Enable to Channel Select (Figure 12)	2.0	0	0	0	ns
		4.5	0	0	0	
		6.0	0	0	0	
$t_w$	Minimum Pulse Width, Latch Enable (Figure 12)	2.0	80	100	120	ns
		4.5	16	20	24	
		6.0	14	17	20	
$t_r, t_f$	Maximum Input Rise and Fall Times, Channel-Select, Latch Enable, and Enables 1 and 2	2.0	1000	1000	1000	ns
		4.5	500	500	500	
		6.0	400	400	400	

NOTE: Information on typical parametric values can be found in Chapter 2 of the Motorola High-Speed CMOS Data Book (DL129/D).

**ADDITIONAL APPLICATION CHARACTERISTICS** (GND = 0.0 V)

Symbol	Parameter	Test Condition	VCC V	VEE V	Limit*			Unit
					25°C 54/74HC			
BW	Maximum On-Channel Bandwidth or Minimum Frequency Response (Figure 6)	$f_{in} = 1$ MHz Sine Wave Adjust $f_{in}$ Voltage to Obtain 0 dBm at $V_{OS}$ Increase $f_{in}$ Frequency Until dB Meter Reads - 3 dB $R_L = 50 \Omega, C_L = 10$ pF	2.25 4.50 6.00	- 2.25 - 4.50 - 6.00	51	52	53	MHz
					80	95	120	
					80	95	120	
					80	95	120	
—	Off-Channel Feedthrough Isolation (Figure 7)	$f_{in} \equiv$ Sine Wave Adjust $f_{in}$ Voltage to Obtain 0 dBm at $V_{IS}$ $f_{in} = 10$ kHz, $R_L = 600 \Omega, C_L = 50$ pF	2.25 4.50 6.00	- 2.25 - 4.50 - 6.00	- 50			dB
					- 50			
					- 50			
		$f_{in} = 1.0$ MHz, $R_L = 50 \Omega, C_L = 10$ pF	2.25 4.50 6.00	- 2.25 - 4.50 - 6.00	- 40			
					- 40			
					- 40			
—	Feedthrough Noise, Channel Select Input to Common O/I (Figure 8)	$V_{in} \leq 1$ MHz Square Wave ( $t_r = t_f = 6$ ns) Adjust $R_L$ at Setup so that $I_S = 0$ A Enable = GND $R_L = 600 \Omega, C_L = 50$ pF	2.25 4.50 6.00	- 2.25 - 4.50 - 6.00	25			mVpp
					105			
					135			
		$R_L = 10$ k $\Omega, C_L = 10$ pF	2.25 4.50 6.00	- 2.25 - 4.50 - 6.00	35			
					145			
					190			
—	Crosstalk Between Any Two Switches (Figure 13) (Test does not apply to HC4351)	$f_{in} \equiv$ Sine Wave Adjust $f_{in}$ Voltage to Obtain 0 dBm at $V_{IS}$ $f_{in} = 10$ kHz, $R_L = 600 \Omega, C_L = 50$ pF	2.25 4.50 6.00	- 2.25 - 4.50 - 6.00	- 50			dB
					- 50			
					- 50			
		$f_{in} = 1$ MHz, $R_L = 50 \Omega, C_L = 10$ pF	2.25 4.50 6.00	- 2.25 - 4.50 - 6.00	- 60			
					- 60			
					- 60			
THD	Total Harmonic Distortion (Figure 15)	$f_{in} = 1$ kHz, $R_L = 10$ k $\Omega, C_L = 50$ pF THD = $THD_{Measured} - THD_{Source}$ $V_{IS} = 4.0$ Vpp sine wave $V_{IS} = 8.0$ Vpp sine wave $V_{IS} = 11.0$ Vpp sine wave	2.25 4.50 6.00	- 2.25 - 4.50 - 6.00	0.10			%
					0.08			
					0.05			

\* Limits not tested. Determined by design and verified by qualification.

MC54/74HC4351 MC54/74HC4353

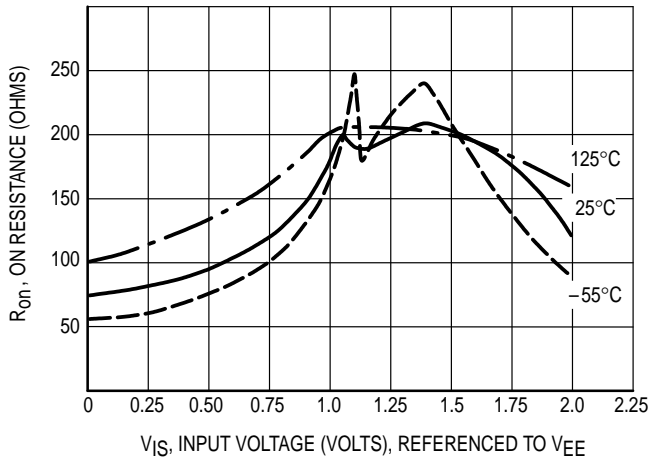


Figure 1a. Typical On Resistance,  $V_{CC} - V_{EE} = 2.0 \text{ V}$

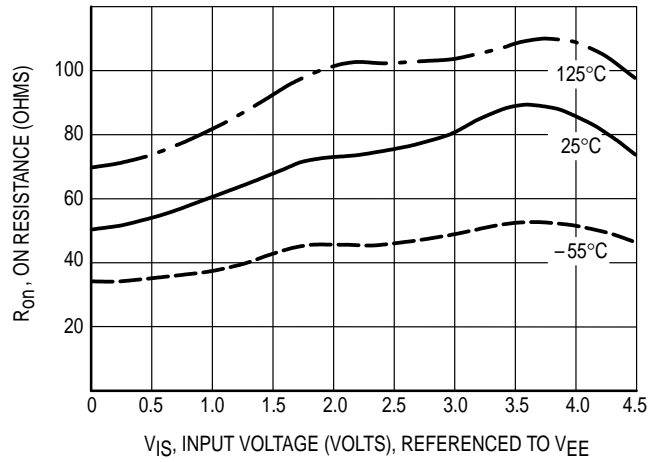


Figure 1b. Typical On Resistance,  $V_{CC} - V_{EE} = 4.5 \text{ V}$

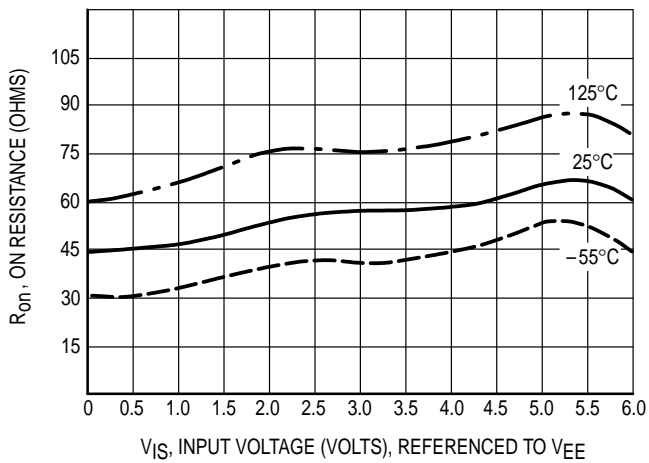


Figure 1c. Typical On Resistance,  $V_{CC} - V_{EE} = 6.0 \text{ V}$

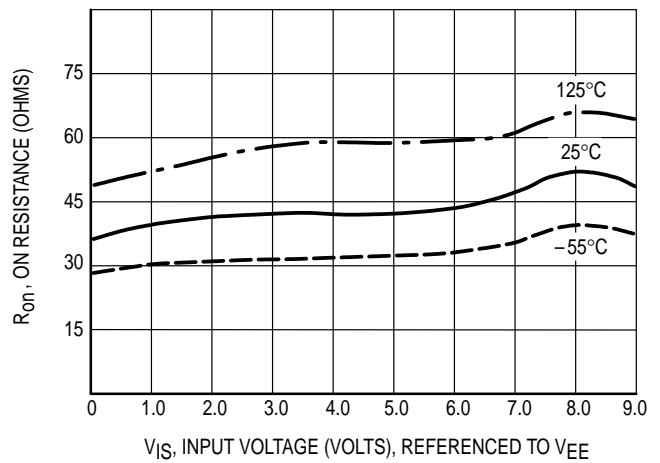


Figure 1d. Typical On Resistance,  $V_{CC} - V_{EE} = 9.0 \text{ V}$

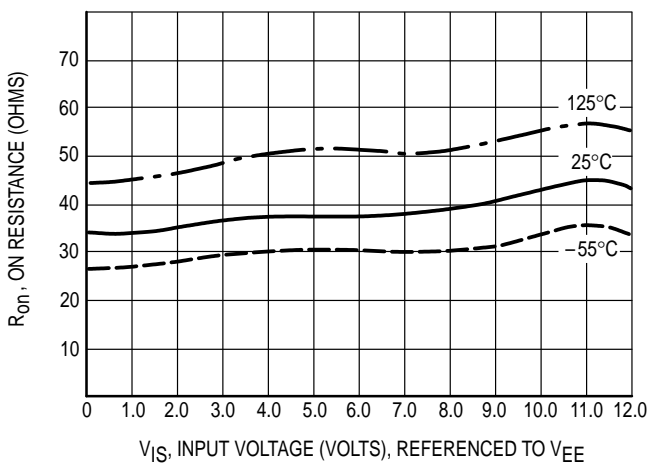


Figure 1e. Typical On Resistance,  $V_{CC} - V_{EE} = 12.0 \text{ V}$

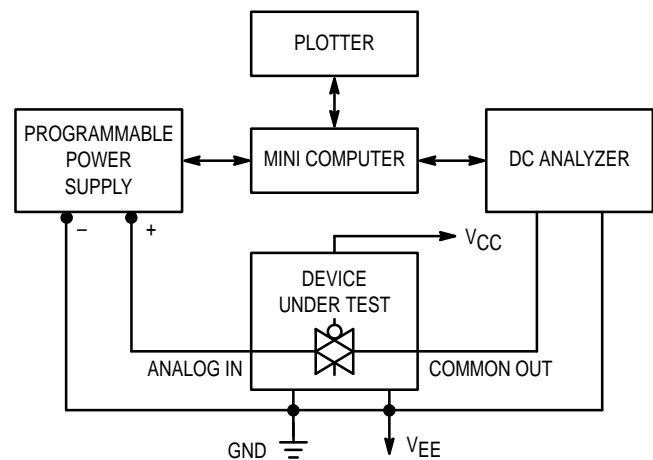


Figure 2. On Resistance Test Set-Up

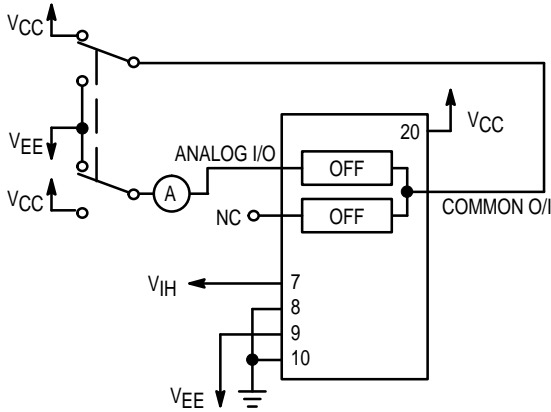


Figure 3. Maximum Off Channel Leakage Current, Any One Channel, Test Set-Up

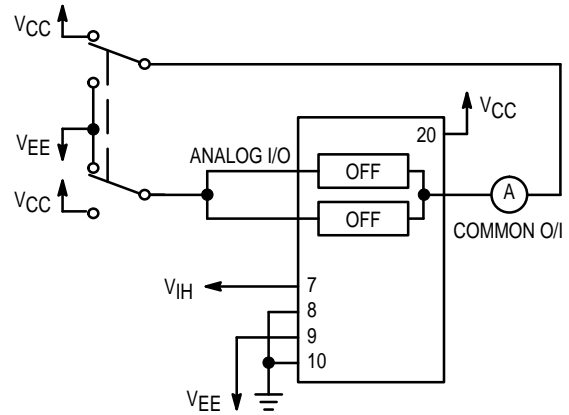


Figure 4. Maximum Off Channel Leakage Current, Common Channel, Test Set-Up

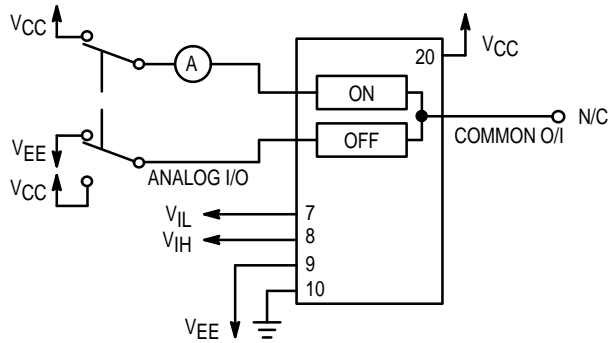
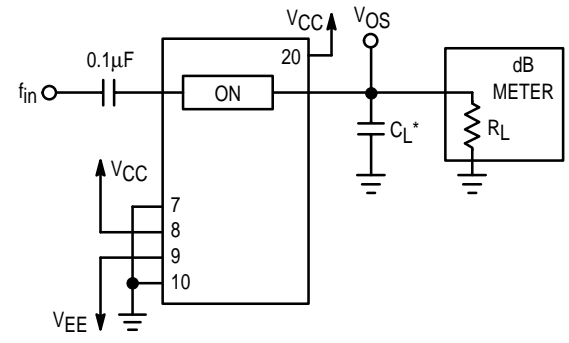
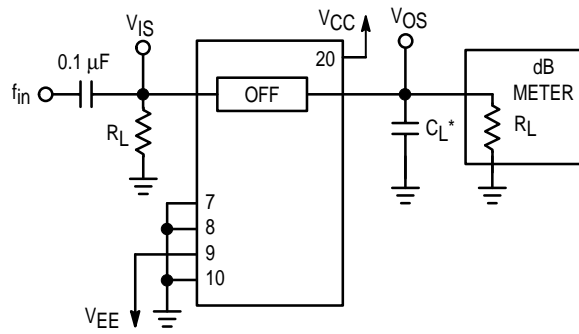


Figure 5. Maximum On Channel Leakage Current, Channel to Channel, Test Set-Up



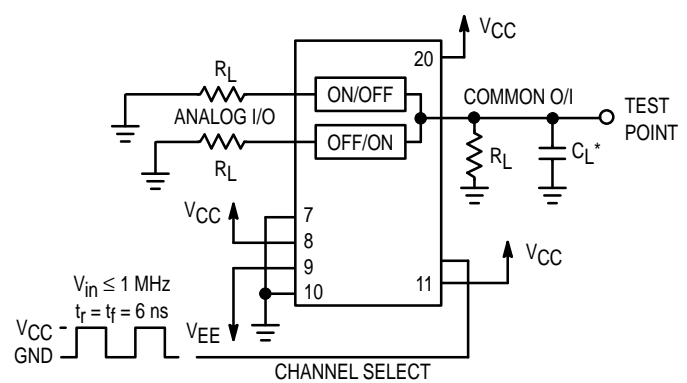
\*Includes all probe and jig capacitance.

Figure 6. Maximum On Channel Bandwidth, Test Set-Up



\*Includes all probe and jig capacitance.

Figure 7. Off Channel Feedthrough Isolation, Test Set-Up



\*Includes all probe and jig capacitance.

Figure 8. Feedthrough Noise, Channel Select to Common Out, Test Set-Up

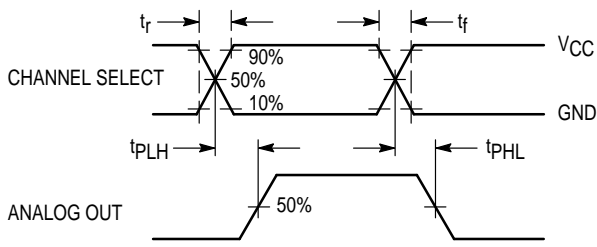
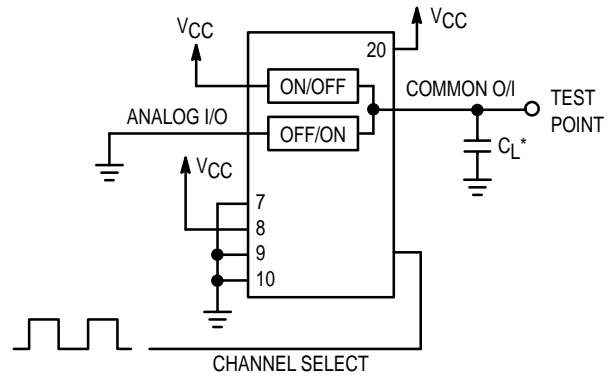


Figure 9a. Propagation Delays, Channel Select to Analog Out



\*Includes all probe and jig capacitance.

Figure 9b. Propagation Delay, Test Set-Up Channel Select to Analog Out

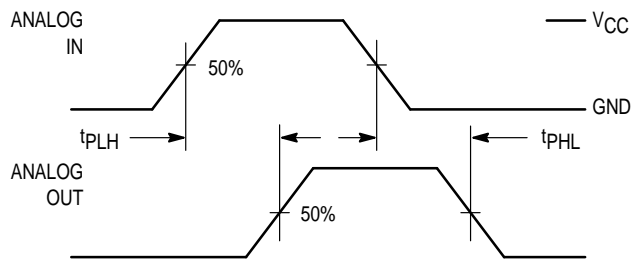
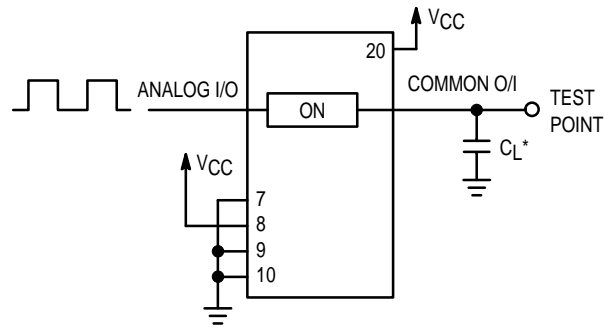


Figure 10a. Propagation Delays, Analog In to Analog Out



\*Includes all probe and jig capacitance.

Figure 10b. Propagation Delay, Test Set-Up Analog In to Analog Out

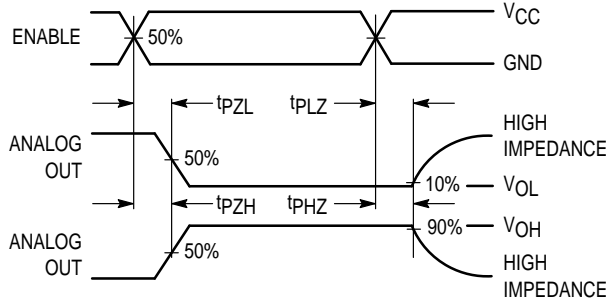


Figure 11a. Propagation Delay, Enable 1 or 2 to Analog Out

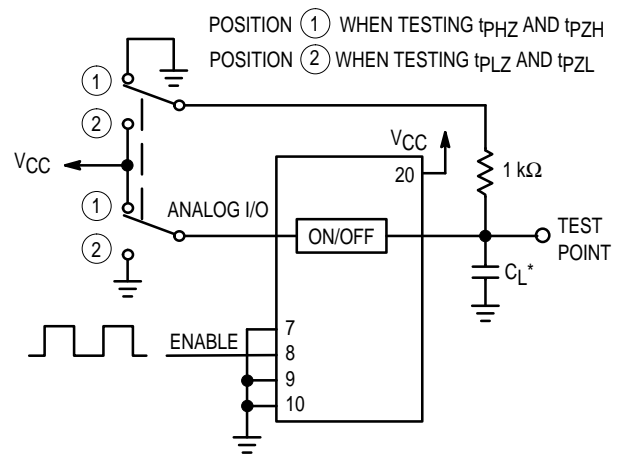


Figure 11b. Propagation Delay, Test Set-Up Enable to Analog Out



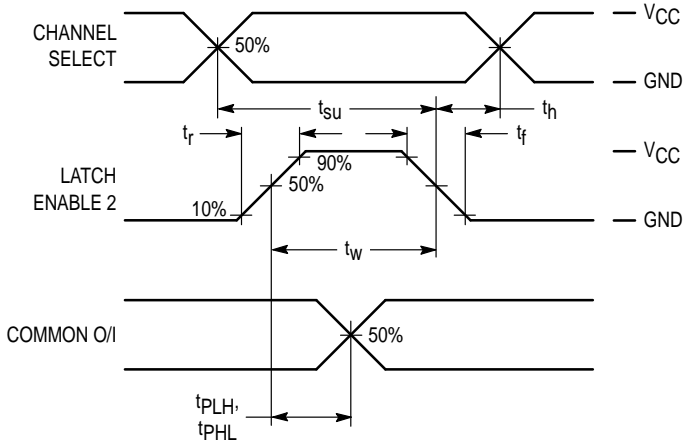
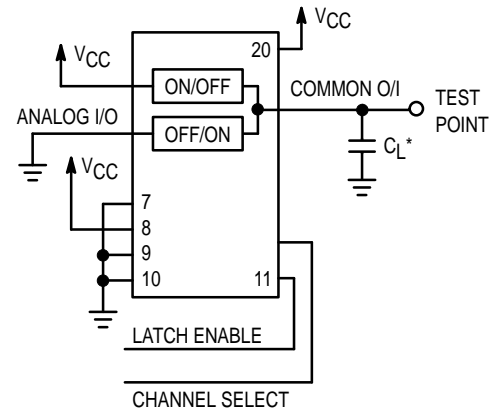
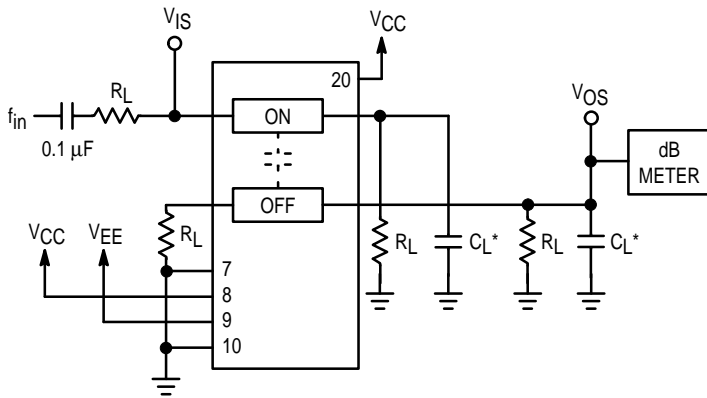


Figure 12a. Propagation Delay, Latch Enable to Analog Out



\*Includes all probe and jig capacitance.

Figure 12b. Propagation Delay, Test Set-Up Latch Enable to Analog Out



\*Includes all probe and jig capacitance.

Figure 13. Crosstalk Between Any Two Switches, Test Set-Up

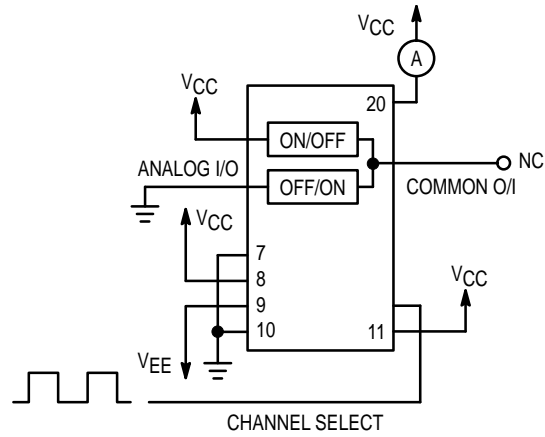
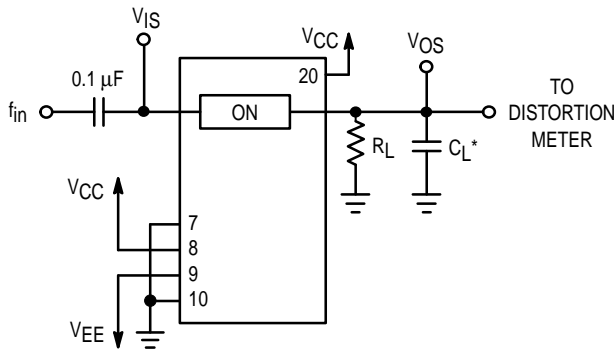


Figure 14. Power Dissipation Capacitance, Test Set-Up



\*Includes all probe and jig capacitance.

Figure 15a. Total Harmonic Distortion, Test Set-Up

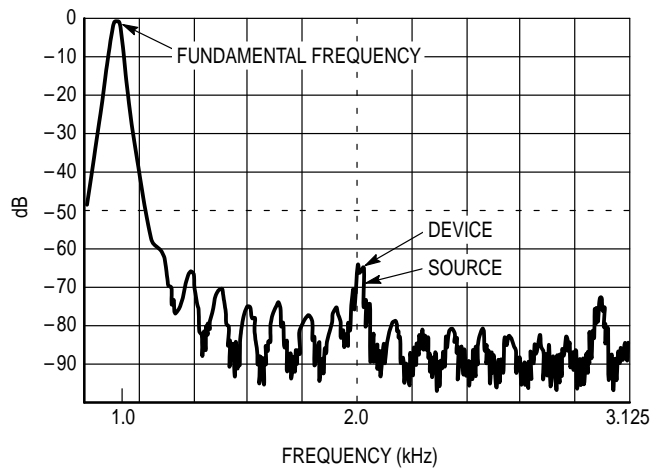


Figure 15b. Plot, Harmonic Distortion

**APPLICATIONS INFORMATION**

The Channel Select and Enable control pins should be at  $V_{CC}$  or GND logic levels.  $V_{CC}$  being recognized as a logic high and GND being recognized as a logic low. In this example:

$$V_{CC} = +5\text{ V} = \text{logic high}$$

$$GND = 0\text{ V} = \text{logic low}$$

The maximum analog voltage swings are determined by the supply voltages  $V_{CC}$  and  $V_{EE}$ . The positive peak analog voltage should not exceed  $V_{CC}$ . Similarly, the negative peak analog voltage should not go below  $V_{EE}$ . In this example, the difference between  $V_{CC}$  and  $V_{EE}$  is ten volts. Therefore, using the configuration in Figure 16, a maximum analog signal of ten volts peak-to-peak can be controlled. Unused analog inputs/outputs may be left floating (i.e., not connected). How-

ever, tying unused analog inputs and outputs to  $V_{CC}$  or GND through a low value resistor helps minimize crosstalk and feedthrough noise that may be picked up by an unused switch.

Although used here, balanced supplies are not a requirement. The only constraints on the power supplies are that:

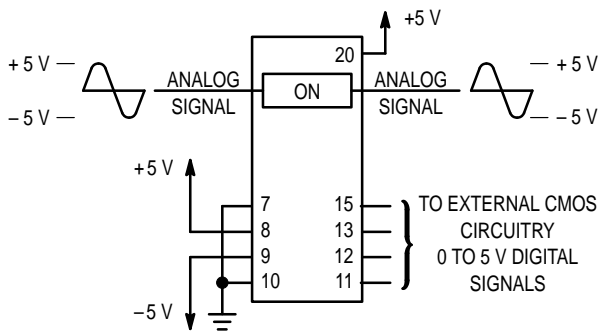
$$V_{CC} - GND = 2\text{ to }6\text{ volts}$$

$$V_{EE} - GND = 0\text{ to }-6\text{ volts}$$

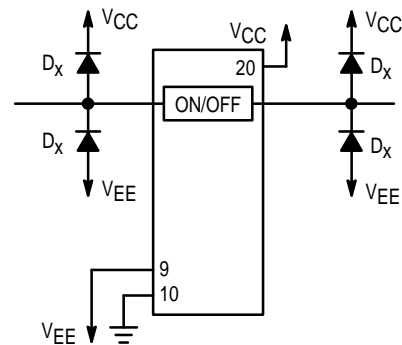
$$V_{CC} - V_{EE} = 2\text{ to }12\text{ volts}$$

and  $V_{EE} \leq GND$

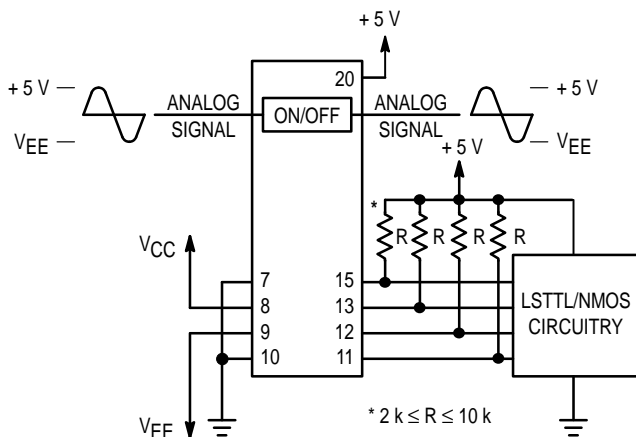
When voltage transients above  $V_{CC}$  and/or below  $V_{EE}$  are anticipated on the analog channels, external Germanium or Schottky diodes ( $D_x$ ) are recommended as shown in Figure 17. These diodes should be able to absorb the maximum anticipated current surges during clipping.



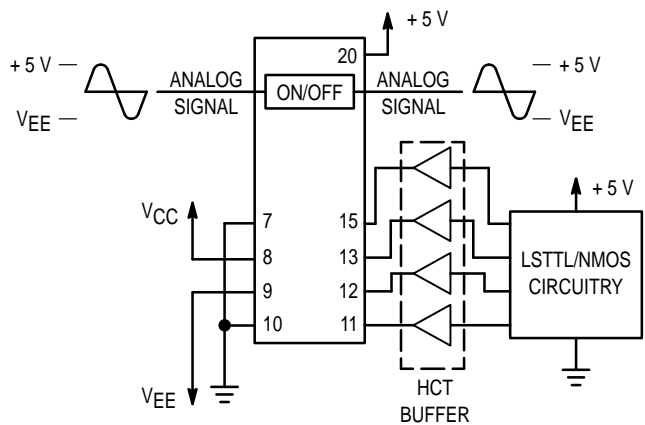
**Figure 16. Application Example**



**Figure 17. External Germanium or Schottky Clipping Diodes**



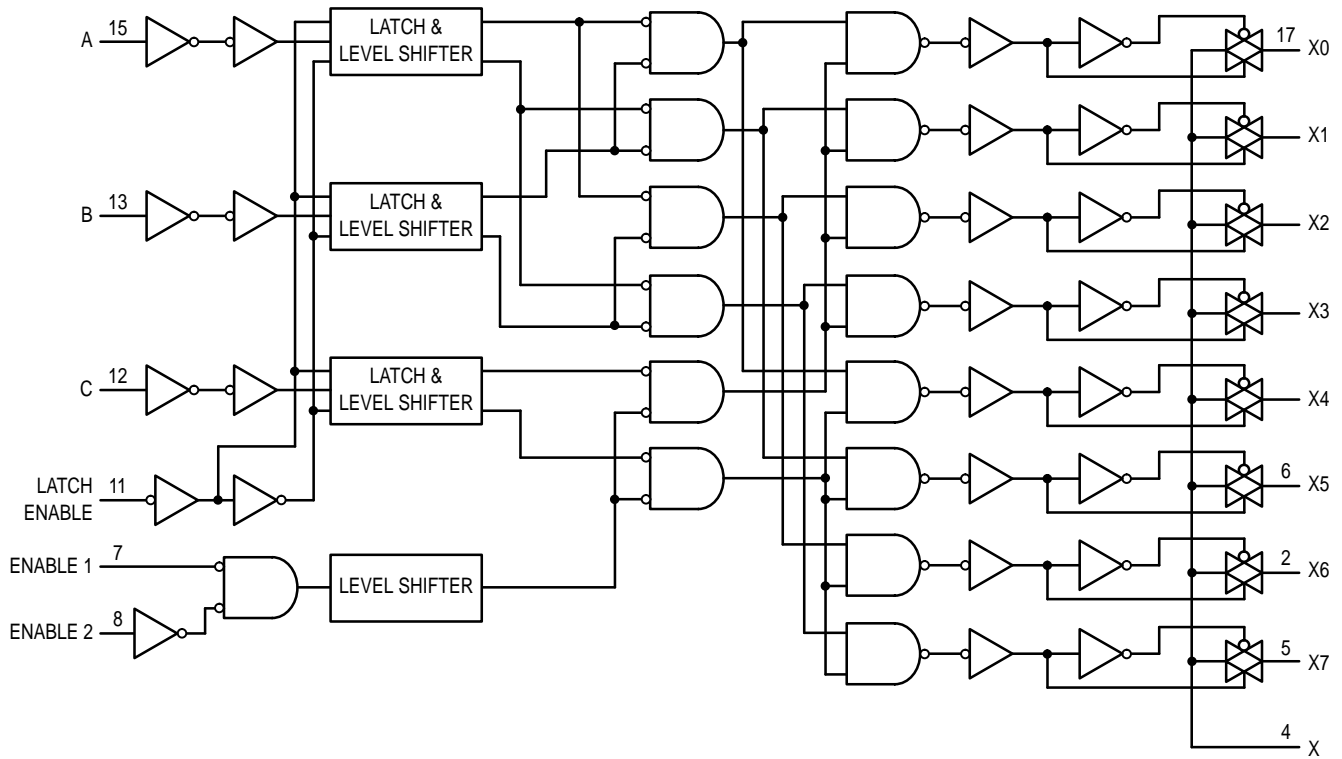
**a. Using Pull-Up Resistors**



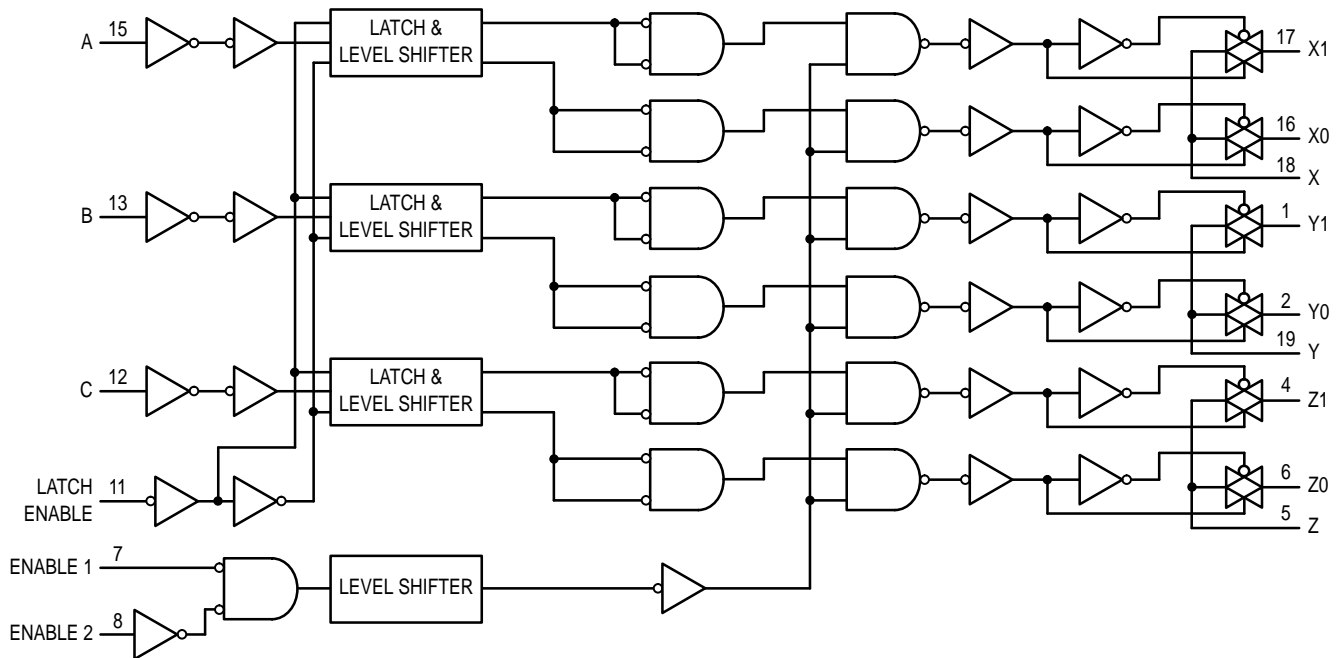
**b. Using HCT Interface**

**Figure 18. Interfacing LSTTL/NMOS to CMOS Inputs**

**FUNCTION DIAGRAM HC4351**

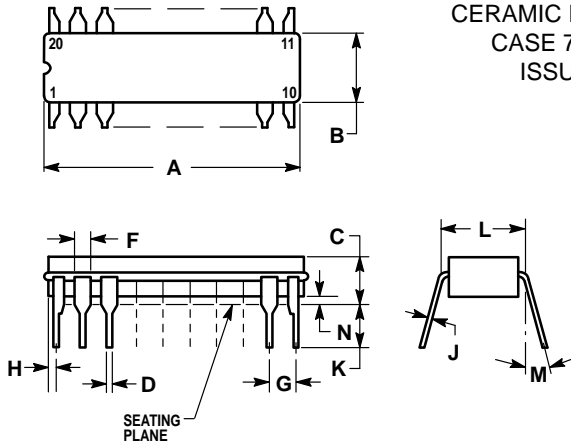


**FUNCTION DIAGRAM HC4353**



OUTLINE DIMENSIONS

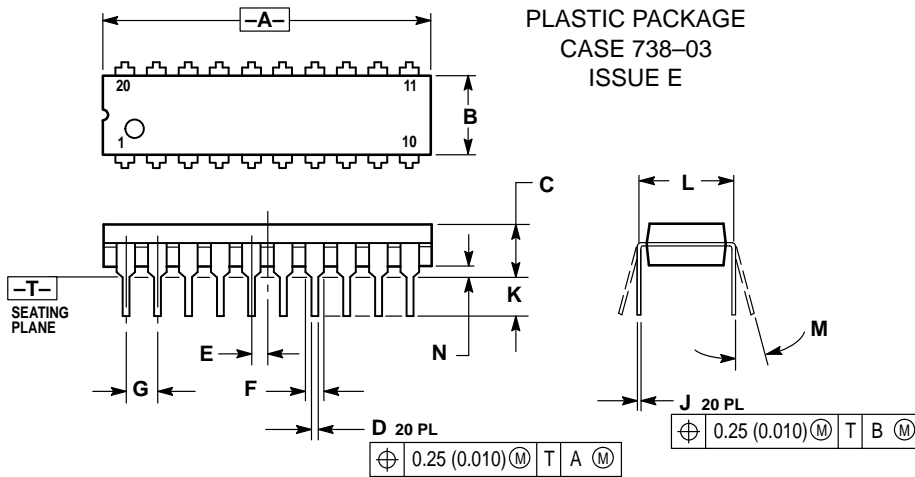
**J SUFFIX**  
**CERAMIC PACKAGE**  
**CASE 732-03**  
**ISSUE E**



- NOTES:
- LEADS WITHIN 0.25 (0.010) DIAMETER, TRUE POSITION AT SEATING PLANE, AT MAXIMUM MATERIAL CONDITION.
  - DIMENSION L TO CENTER OF LEADS WHEN FORMED PARALLEL.
  - DIMENSIONS A AND B INCLUDE MENISCUS.

DIM	MILLIMETERS		INCHES	
	MIN	MAX	MIN	MAX
A	23.88	25.15	0.940	0.990
B	6.60	7.49	0.260	0.295
C	3.81	5.08	0.150	0.200
D	0.38	0.56	0.015	0.022
F	1.40	1.65	0.055	0.065
G	2.54 BSC		0.100 BSC	
H	0.51	1.27	0.020	0.050
J	0.20	0.30	0.008	0.012
K	3.18	4.06	0.125	0.160
L	7.62 BSC		0.300 BSC	
M	0° 15°		0° 15°	
N	0.25	1.02	0.010	0.040

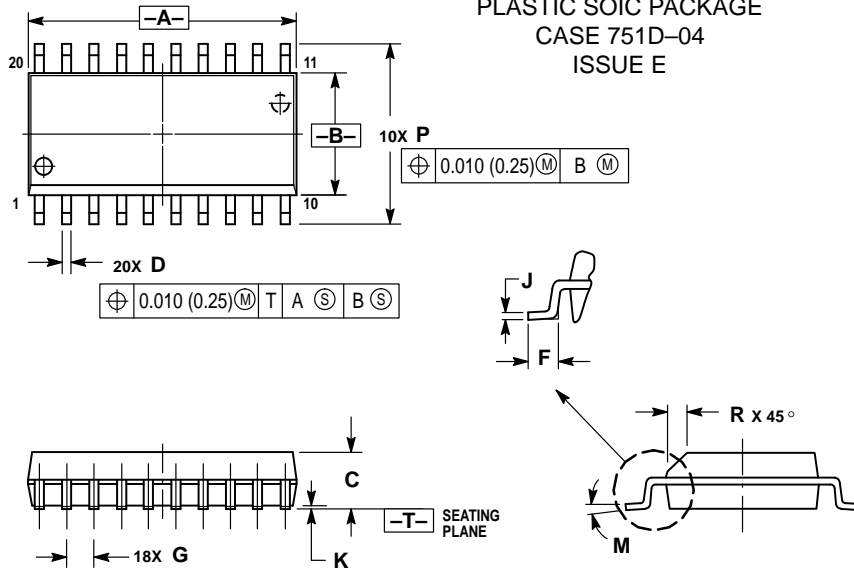
**N SUFFIX**  
**PLASTIC PACKAGE**  
**CASE 738-03**  
**ISSUE E**



- NOTES:
- DIMENSIONING AND TOLERANCING PER ANSI Y14.5M, 1982.
  - CONTROLLING DIMENSION: INCH.
  - DIMENSION L TO CENTER OF LEAD WHEN FORMED PARALLEL.
  - DIMENSION B DOES NOT INCLUDE MOLD FLASH.


DIM	INCHES		MILLIMETERS	
	MIN	MAX	MIN	MAX
A	1.010	1.070	25.66	27.17
B	0.240	0.260	6.10	6.60
C	0.150	0.180	3.81	4.57
D	0.015	0.022	0.39	0.55
E	0.050 BSC		1.27 BSC	
F	0.050	0.070	1.27	1.77
G	0.100 BSC		2.54 BSC	
J	0.008	0.015	0.21	0.38
K	0.110	0.140	2.80	3.55
L	0.300 BSC		7.62 BSC	
M	0° 15°		0° 15°	
N	0.020	0.040	0.51	1.01

**DW SUFFIX**  
**PLASTIC SOIC PACKAGE**  
**CASE 751D-04**  
**ISSUE E**



- NOTES:
- DIMENSIONING AND TOLERANCING PER ANSI Y14.5M, 1982.
  - CONTROLLING DIMENSION: MILLIMETER.
  - DIMENSIONS A AND B DO NOT INCLUDE MOLD PROTRUSION.
  - MAXIMUM MOLD PROTRUSION 0.150 (0.006) PER SIDE.
  - DIMENSION D DOES NOT INCLUDE DAMBAR PROTRUSION. ALLOWABLE DAMBAR PROTRUSION SHALL BE 0.13 (0.005) TOTAL IN EXCESS OF D DIMENSION AT MAXIMUM MATERIAL CONDITION.

DIM	MILLIMETERS		INCHES	
	MIN	MAX	MIN	MAX
A	12.65	12.95	0.499	0.510
B	7.40	7.60	0.292	0.299
C	2.35	2.65	0.093	0.104
D	0.35	0.49	0.014	0.019
F	0.50	0.90	0.020	0.035
G	1.27 BSC		0.050 BSC	
J	0.25	0.32	0.010	0.012
K	0.10	0.25	0.004	0.009
M	0° 7°		0° 7°	
P	10.05	10.55	0.395	0.415
R	0.25	0.75	0.010	0.029

Motorola reserves the right to make changes without further notice to any products herein. Motorola makes no warranty, representation or guarantee regarding the suitability of its products for any particular purpose, nor does Motorola assume any liability arising out of the application or use of any product or circuit, and specifically disclaims any and all liability, including without limitation consequential or incidental damages. "Typical" parameters can and do vary in different applications. All operating parameters, including "Typicals" must be validated for each customer application by customer's technical experts. Motorola does not convey any license under its patent rights nor the rights of others. Motorola products are not designed, intended, or authorized for use as components in systems intended for surgical implant into the body, or other applications intended to support or sustain life, or for any other application in which the failure of the Motorola product could create a situation where personal injury or death may occur. Should Buyer purchase or use Motorola products for any such unintended or unauthorized application, Buyer shall indemnify and hold Motorola and its officers, employees, subsidiaries, affiliates, and distributors harmless against all claims, costs, damages, and expenses, and reasonable attorney fees arising out of, directly or indirectly, any claim of personal injury or death associated with such unintended or unauthorized use, even if such claim alleges that Motorola was negligent regarding the design or manufacture of the part. Motorola and  are registered trademarks of Motorola, Inc. Motorola, Inc. is an Equal Opportunity/Affirmative Action Employer.

**How to reach us:**

**USA/EUROPE:** Motorola Literature Distribution;  
P.O. Box 20912; Phoenix, Arizona 85036. 1-800-441-2447

**MFAX:** RMFAX0@email.sps.mot.com -TOUCHTONE (602) 244-6609  
**INTERNET:** <http://Design-NET.com>

**JAPAN:** Nippon Motorola Ltd.; Tatsumi-SPD-JLDC, Toshikatsu Otsuki,  
6F Seibu-Butsuryu-Center, 3-14-2 Tatsumi Koto-Ku, Tokyo 135, Japan. 03-3521-8315

**HONG KONG:** Motorola Semiconductors H.K. Ltd.; 8B Tai Ping Industrial Park,  
51 Ting Kok Road, Tai Po, N.T., Hong Kong. 852-26629298



◇ CODELINE

MC54/74HC4351/D

