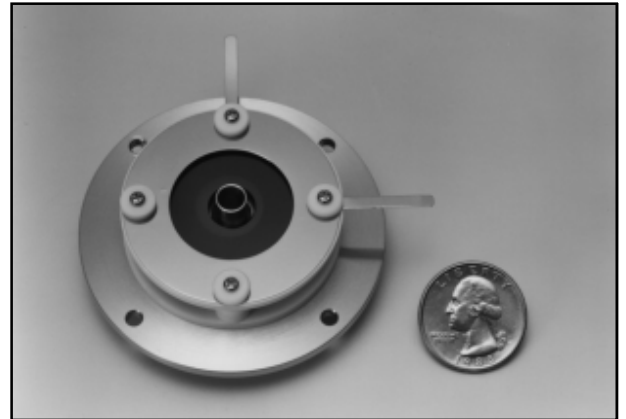


### Ideally suited for reflectron mass spectrometer

The F4294-09 is an MCP assembly developed for reflectron mass spectrometers. In spite of having a center hole for beam line, the F4294-09 eliminates ringing phenomena which have been a problem with conventional MCP assemblies with a center hole. The F4294-09 thus makes high-speed ion detection possible. This allows a significant size reduction in the TOF mass spectrometer and a dramatic improvement in mass resolution.



TMCPF0090

### FEATURES

- Center hole for beam line
- High-speed response
- Good output waveform with negligible ringing

### APPLICATION

- Reflectron mass spectrometer

### SPECIFICATIONS

#### GENERAL

Parameter	Value	Unit
Assembly Outer Diameter	69.0	mm
Effective Diameter	27.0	mm
Maximum Height	26.4	mm
MCP Channel Diameter	12	μm
Number of MCP Stages	2	-
Center Hole Diameter	6.0	mm
Center Dead Space Diameter	12.0	mm

#### MAXIMUM RATINGS (Absolute values)

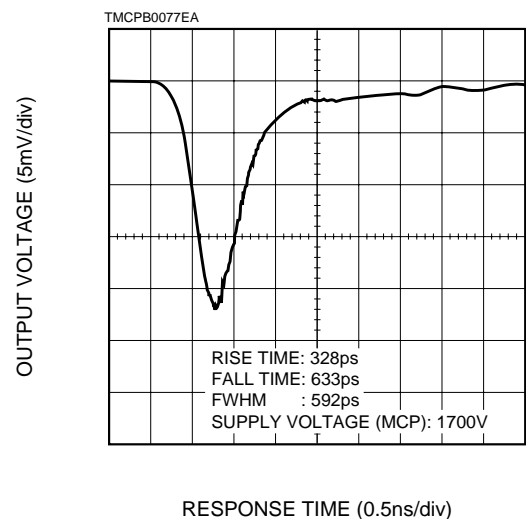
MCP Supply Voltage (In-Out)	2	kV
MCP-Out to Anode Voltage	0.5	kV
Electric Potential at Each Terminal	MCP-In: -2.5 MCP-Out: -0.5 Anode: GND	kV
Operating Vacuum Condition	$6.7 \times 10^{-4}$ ( $5 \times 10^{-6}$ ) Max.	Pa (Torr)
Baking Temperature	- *	°C
Baking Time	- *	h
Baking Vacuum Condition	- *	Pa (Torr)

\* Baking cannot be performed.

#### CHARACTERISTICS (at $1.3 \times 10^{-4}$ Pa ( $1 \times 10^{-6}$ Torr), $T_a = +25^\circ\text{C}$ )

Gain at 2.0kV	$1 \times 10^6$	-
Plate Resistance per MCP	10 to 100	MΩ
Dark Count at 2.0kV	5	cps/cm <sup>2</sup>

Figure 1: Typical Output Waveform

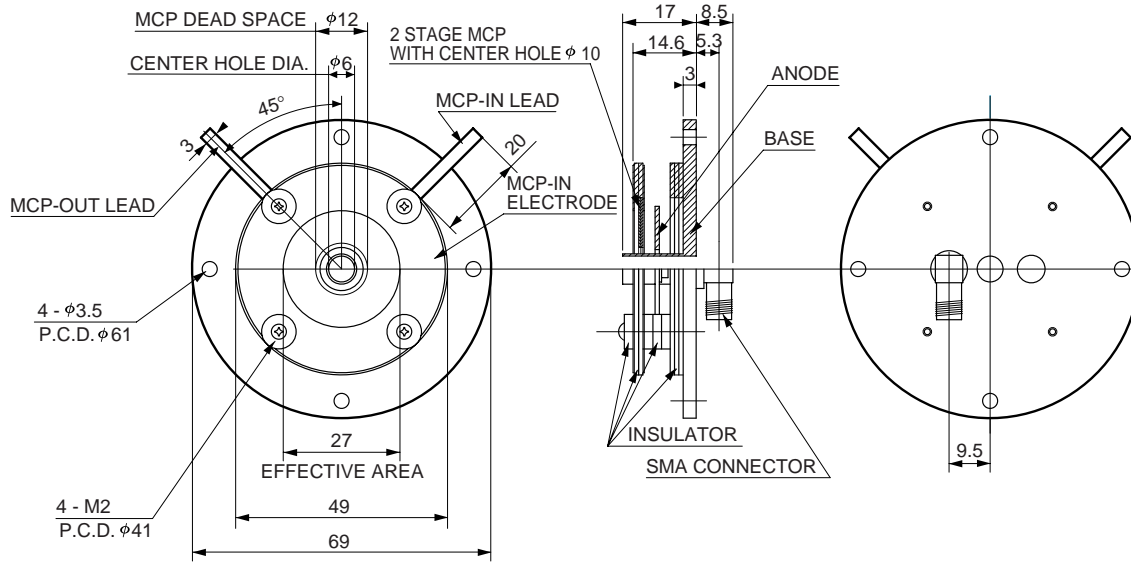


Subject to local technical requirements and regulations, availability of products included in this promotional material may vary. Please consult with our sales office.

Information furnished by HAMAMATSU is believed to be reliable. However, no responsibility is assumed for possible inaccuracies or omissions. Specifications are subject to change without notice. No patent rights are granted to any of the circuits described herein. ©1998 Hamamatsu Photonics K.K.

# MCP ASSEMBLY WITH CENTER HOLE FOR REFLECTRON MS F4294-09

Figure 2: Dimensional Outlines (Unit: mm)



TMCPA0042EA

# HAMAMATSU

HAMAMATSU PHOTONICS K.K., Electron Tube Center

314-5, Shimokanzo, Toyooka-village, Iwata-gun, Shizuoka-ken, 438-0193 Japan, Telephone: (81)539/62-5248, Fax: (81)539/62-2205

U.S.A.: Hamamatsu Corporation: 360 Foothill Road, P.O.Box 6910, Bridgewater, N.J. 08807-0910, U.S.A., Telephone:(1)908-231-0960, Fax:(1)908-231-1218

Germany: Hamamatsu Photonics Deutschland GmbH: Arzbergerstr. 10, D-82211 Herrsching am Ammersee, Germany, Telephone:(49)8152-375-0, Fax:(49)8152-2658

France: Hamamatsu Photonics France: S.A.R.L.: 8, Rue du Saule Trapu, Parc du Moulin de Massy, 91882 Massy Cedex, France, Telephone:(33)1 69 53 71 00, Fax:(33)1 69 53 71 10

United Kingdom: Hamamatsu Photonics UK Limited: Lough Point, 2 Gladbeck Way, Windmill Hill, Enfield, Middlesex EN2 7JA, United Kingdom, Telephone:(44)181-367-3560, Fax:(44)181-367-6384

North Europe: Hamamatsu Photonics Norden AB: F5rsgatan 7, S-164 40 Kista, Sweden, Telephone:(46)8-703-29-50, Fax:(46)8-750-58-95

Italy: Hamamatsu Photonics Italia S.R.L.: Via della Moia, 1/E 20020 Arese, (Milano), Italy, Telephone: (39)2 935 81 733 Fax: (39)2 935 81 741

TMCP1019E01  
MAY 1998 SI  
Printed in Japan (500)