

LM4851 Boomer® Audio Power Amplifier Series

Integrated Audio Amplifier System

General Description

The LM4851 is an audio power amplifier system capable of delivering 1.1W (typ) of continuous average power into a mono 8Ω bridged-tied load (BTL) with 1% THD+N and 115mW (typ) per channel of continuous average power into stereo 32Ω BTL loads with 0.5% THD+N, using a 5V power supply.

The LM4851 features a 32 step digital volume control and eight distinct output modes. The digital volume control and output modes are programmed through a three-wire SPI serial control interface, that allows flexibility in routing and mixing audio channels. The LM4851 has 3 inputs: one pair for a two-channel stereo signal and the third for a single-channel mono input.

The LM4851 is designed for cellular phone, PDA, and other portable handheld applications. It delivers high quality output power from a surface-mount package and requires only five external components.

The industry leading micro SMD package utilizes only 2mm x 2.3mm of PCB space, making the LM4851 the most space efficient audio sub system available today.

Key Specifications

- THD+N at 1kHz, 1.5W into 4Ω BTL (LQ) 1% (typ)
- THD+N at 1kHz, 1.1W into 8Ω BTL 1% (typ)
- THD+N at 1kHz, 115mW into 32Ω BTL 0.5% (typ)
- Single Supply Operation 2.6 to 5.0V

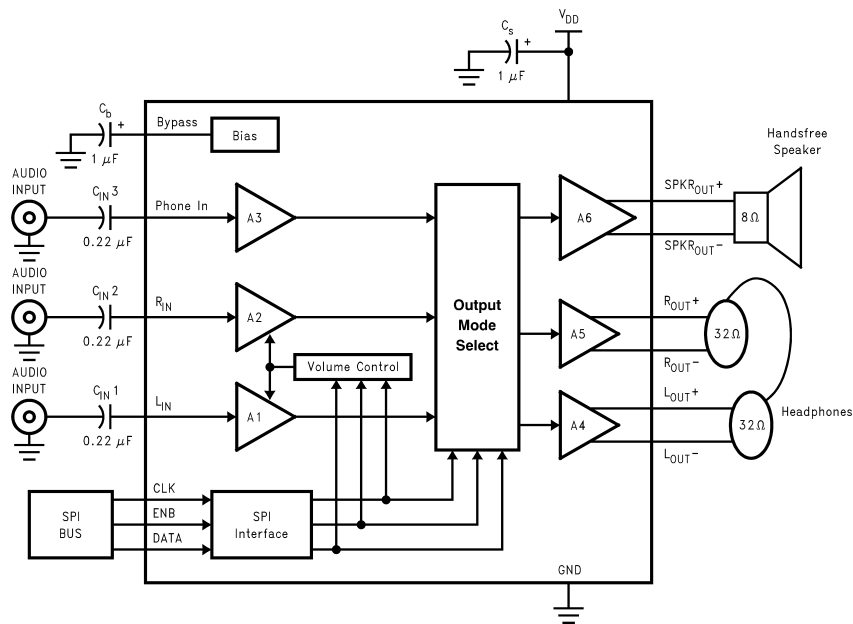
Features

- Mono 1.1W (typ) and stereo 115mW (typ) output
- SPI programmable 32 step digital volume control (-40.5dB to +6dB)
- Eight distinct SPI programmable output modes
- micro-SMD and LLP surface mount packaging
- "Click and pop" suppression circuitry
- Thermal shutdown protection
- Low shutdown current (0.1μA, typ)

Applications

- Mobile phones
- PDAs

Typical Application



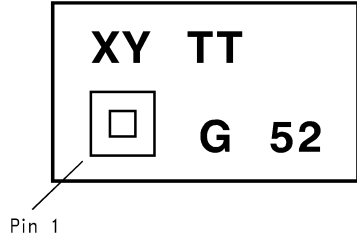
20040831

FIGURE 1. Typical Audio Amplifier Application Circuit

Boomer® is a registered trademark of National Semiconductor Corporation.

Connection Diagrams

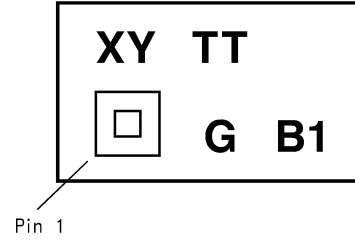
18-Bump micro SMD Marking (IBL)



200408A5

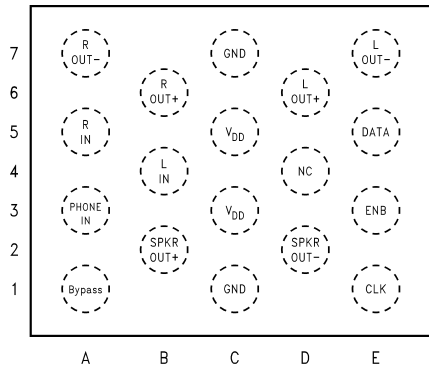
Top View
XY- Date Code
TT - Die Traceability
G - Boomer Family
52 - LM4851IBL-1

18-Bump micro SMD Marking (ITL)



200408B3

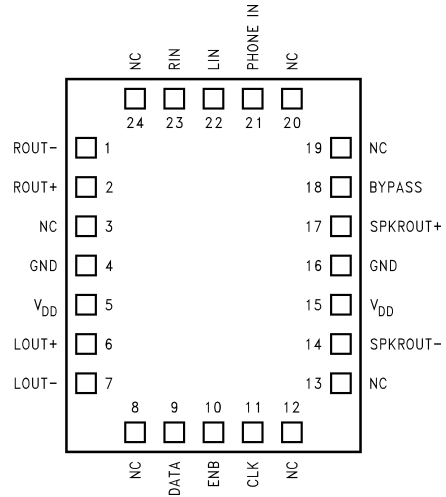
Top View
XY- Date Code
TT - Die Traceability
G - Boomer Family
B1 - LM4851ITL



20040829

NC = NO CONNECT
Top View
(Bump-side down)

Order Number LM4851ITL, LM4851IBL
See NS Package Number TLA18AAA, BLA18AAB



200408A7

Top View
Order Number LM4851LQ
See NS Package Number LQA24A for Exposed-DAP LLP

Absolute Maximum Ratings (Note 2)

If Military/Aerospace specified devices are required, please contact the National Semiconductor Sales Office/Distributors for availability and specifications.

Supply Voltage	6.0V
Storage Temperature	-65°C to +150°C
ESD Susceptibility (Note 4)	2.0kV
ESD Machine model (Note 7)	200V
Junction Temperature (T _J)	150°C
Solder Information (Note 1)	
Vapor Phase (60 sec.)	215°C
Infrared (15 sec.)	220°C

Thermal Resistance

θ _{JA} (typ) - LQA24A	42°C/W
θ _{JC} (typ) - LQA24A	3.0°C/W
θ _{JA} (typ) - BLA18AAB	48°C/W (Note 9)
θ _{JC} (typ) - BLA18AAB	23°C/W (Note 9)
θ _{JA} (typ) - TLA18AAA	48°C/W (Note 9)
θ _{JC} (typ) - TLA18AAA	23°C/W (Note 9)

Operating Ratings (Note 3)

Temperature Range	-40°C to 85°C
Supply Voltage V _{DD}	2.6V ≤ V _{DD} ≤ 5.0V

Note 1: See AN-450 "Surface Mounting and their effects on Product Reliability" for other methods of soldering surface mount devices.

Electrical Characteristics (Notes 2, 8)

The following specifications apply for V_{DD} = 5.0V, T_A = 25°C unless otherwise specified.

Symbol	Parameter	Conditions	LM4851		Units (Limits)
			Typical (Note 5)	Limit (Note 6)	
I _{DD}	Supply Current	Output mode 7 V _{IN} = 0V; I _O = 0A	7.5	14	mA (max)
		Output modes 1, 2, 3, 4, 5, 6 V _{IN} = 0V; I _O = 0A	5.0	9.0	mA (max)
I _{DD}	Shutdown Current	Output mode 0	0.1	2	µA (max)
V _{OS}	Output Offset Voltage	V _{IN} = 0V	5.0	50	mV (max)
P _O	Output Power	SPKR _{OUT} ; R _L = 4Ω THD+N = 1%; f = 1kHz LM4851LQ	1.5		W
		SPKR _{OUT} ; R _L = 8Ω THD+N = 1%; f = 1kHz	1.1	0.8	W (min)
		R _{OUT} and L _{OUT} ; R _L = 32Ω THD+N = 0.5%; f = 1kHz	115	80	mW (min)
THD+N	Total Harmonic Distortion Plus Noise	R _{OUT} and L _{OUT} ; f = 1kHz P _{OUT} = 80mW; R _L = 32Ω		0.5	% (max)
		SPKR _{OUT} ; f = 1kHz P _{OUT} = 800mW; R _L = 8Ω		1.0	% (max)
		R _{OUT} and L _{OUT} ; f = 20Hz to 20kHz P _{OUT} = 100mW; R _L = 32Ω	0.3		%
		SPKR _{OUT} ; f = 20Hz to 20kHz P _{OUT} = 1W; R _L = 4Ω LM4851LQ	0.3		%
		SPKR _{OUT} ; f = 20Hz to 20kHz P _{OUT} = 800mW; R _L = 8Ω	0.3		%
N _{OUT}	Output Noise	A-weighted (Note 10)	29		µV
PSRR	Power Supply Rejection Ratio	V _{RIPPLE} = 200mV _{PP} ; f = 217Hz Input floating; Input referred	70		dB
		V _{RIPPLE} = 200mV _{PP} ; f = 217Hz Input terminated into 50Ω; Output referred	62		dB
V _{IH}	Logic High Input Voltage			1.4	V (min)
				5.0	V (max)
V _{IL}	Logic Low Input Voltage			0.4	V (max)

Electrical Characteristics (Notes 2, 8) (Continued)The following specifications apply for $V_{DD} = 5.0V$, $T_A = 25^\circ C$ unless otherwise specified.

Symbol	Parameter	Conditions	LM4851		Units (Limits)
			Typical (Note 5)	Limit (Note 6)	
	Digital Volume Range (R_{IN} and L_{IN})	Input referred minimum gain Input referred maximum gain	-40.5 +6		dB
	Digital Volume Stepsize		1.5		dB
	Stepsize Error		± 0.5		dB
	Phone In Volume	BTL gain from Phone In to $SPKR_{OUT}$	6		dB
	Phone In Volume	BTL gain from Phone In to R_{OUT} , L_{OUT}	0		dB
	Phone In Input Impedance		20	15 25	k Ω (min) k Ω (max)
	R_{IN} and L_{IN}		50	37.5 62.5	k Ω (min) k Ω (max)
t_{ES}	Enable Setup Time (ENB)			20	ns (min)
t_{EH}	Enable Hold Time (ENB)			20	ns (min)
t_{EL}	Enable Low Time (ENB)			30	ns (min)
t_{DS}	Data Setup Time (DATA)			20	ns (min)
t_{DH}	Data Hold Time (DATA)			20	ns (min)
t_{CS}	Clock Setup Time (CLK)			20	ns (min)
t_{CH}	Clock Logic High Time (CLK)			50	ns (min)
t_{CL}	Clock Logic Low Time (CLK)			50	ns (min)
t_{CLK}	Clock Frequency			DC 10	(min) MHz (max)

Electrical Characteristics (Notes 2, 8)The following specifications apply for $V_{DD} = 3.0V$, $T_A = 25^\circ C$ unless otherwise specified.

Symbol	Parameter	Conditions	LM4851		Units (Limits)
			Typical (Note 5)	Limit (Note 6)	
I_{DD}	Supply Current	Output mode 7 $V_{IN} = 0V$; $I_O = 0A$	6.2	11	mA (max)
		Output modes 1, 2, 3, 4, 5, 6 $V_{IN} = 0V$; $I_O = 0A$	4.0	7.0	mA (max)
I_{DD}	Shutdown Current	Output mode 0	0.1	2	μA (max)
V_{OS}	Output Offset Voltage	$V_{IN} = 0V$	5.0	50	mV (max)
P_O	Output Power	$SPKR_{OUT}$; $R_L = 4\Omega$ THD+N = 1%; f = 1kHz LM4851LQ	430		mW
		$SPKR_{OUT}$; $R_L = 8\Omega$ THD+N = 1%; f = 1kHz	340	300	mW (min)
		R_{OUT} and L_{OUT} ; $R_L = 32\Omega$ THD+N = 0.5%; f = 1kHz	25	20	mW (min)

Electrical Characteristics (Notes 2, 8) (Continued)

The following specifications apply for $V_{DD} = 3.0V$, $T_A = 25^\circ C$ unless otherwise specified.

Symbol	Parameter	Conditions	LM4851		Units (Limits)
			Typical (Note 5)	Limit (Note 6)	
THD+N	Total Harmonic Distortion Plus Noise	R_{OUT} and L_{OUT} ; $f = 1kHz$ $P_{OUT} = 20mW$; $R_L = 32\Omega$		0.5	% (max)
		SPKR $_{OUT}$; $f = 1kHz$ $P_{OUT} = 300mW$; $R_L = 8\Omega$		1.0	% (max)
		R_{OUT} and L_{OUT} ; $f = 20Hz$ to $20kHz$ $P_{OUT} = 20mW$; $R_L = 32\Omega$	0.4		%
		SPKR $_{OUT}$; $f = 20Hz$ to $20kHz$ $P_{OUT} = 300mW$; $R_L = 4\Omega$ LM4851LQ	0.3		%
		SPKR $_{OUT}$; $f = 20Hz$ to $20kHz$ $P_{OUT} = 250mW$; $R_L = 8\Omega$	0.3		%
N_{OUT}	Output Noise	A-weighted (Note 10)	29		μV
PSRR	Power Supply Rejection Ratio	$V_{RIPPLE} = 200mV_{PP}$; $f = 217Hz$ Input floating; Input referred	70		dB
		$V_{RIPPLE} = 200mV_{PP}$; $f = 217Hz$ Input terminated into 50Ω ; Output referred	62		dB
V_{IH}	Logic High Input Voltage			1.4 3.0	V (min) V (max)
V_{IL}	Logic Low Input Voltage			0.4	V (max)
	Digital Volume Range (R_{IN} and L_{IN})	Input referred minimum gain Input referred maximum gain	-40.5 +6		dB
	Digital Volume Stepsize		1.5		dB
	Stepsize Error		± 0.5		dB
	Phone In Volume	BTL gain from Phone In to SPKR $_{OUT}$	6		dB
	Phone In Volume	BTL gain from Phone In to R_{OUT}, L_{OUT}	0		dB
	Phone In Input Impedance		20	15 25	k Ω (min) k Ω (max)
	R_{IN} and L_{IN}		50	37.5 62.5	k Ω (min) k Ω (max)
t_{ES}	Enable Setup Time (ENB)			20	ns (min)
t_{EH}	Enable Hold Time (ENB)			20	ns (min)
t_{EL}	Enable Low Time (ENB)			30	ns (min)
t_{DS}	Data Setup Time (DATA)			20	ns (min)
t_{DH}	Data Hold Time (DATA)			20	ns (min)
t_{CS}	Clock Setup Time (CLK)			20	ns (min)
t_{CH}	Clock Logic High Time (CLK)			50	ns (min)
t_{CL}	Clock Logic Low Time (CLK)			50	ns (min)
t_{CLK}	Clock Frequency			DC	(min)
				10	MHz (max)

Note 2: Absolute Maximum Rating indicate limits beyond which damage to the device may occur.

Note 3: Operating Ratings indicate conditions for which the device is functional, but do not guarantee specific performance limits. For guaranteed specifications and test conditions, see the Electrical Characteristics. The guaranteed specifications apply only for the test conditions listed. Some performance characteristics may degrade when the device is not operated under the listed test conditions.

Note 4: Human body model, 100pF discharged through a 1.5k Ω resistor.

Note 5: Typical specifications are specified at +25 $^\circ C$ and represent the most likely parametric norm.

Note 6: Datasheet min/max specification limits are guaranteed by design, test, or statistical analysis.

Note 7: Machine Model ESD test is covered by specification EIAJ IC-121-1981. A 200pF cap is charged to the specified voltage, then discharged directly into the IC with no external series resistor (resistance of discharge path must be under 50Ω).

Note 8: All voltages are measured with respect to the ground pin, unless otherwise specified.

Note 9: The given θ_{JA} and θ_{JC} is for an LM4851 mounted on a demonstration board with a 4 in² area of 1oz printed circuit board copper ground plane.

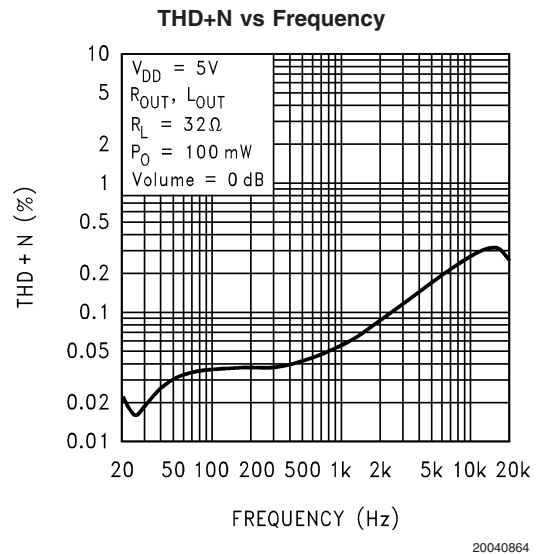
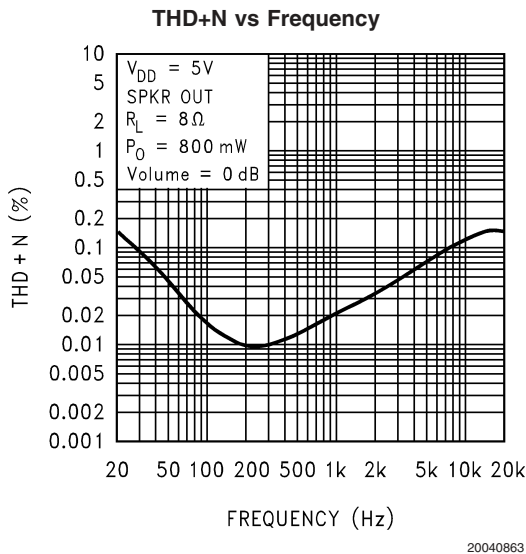
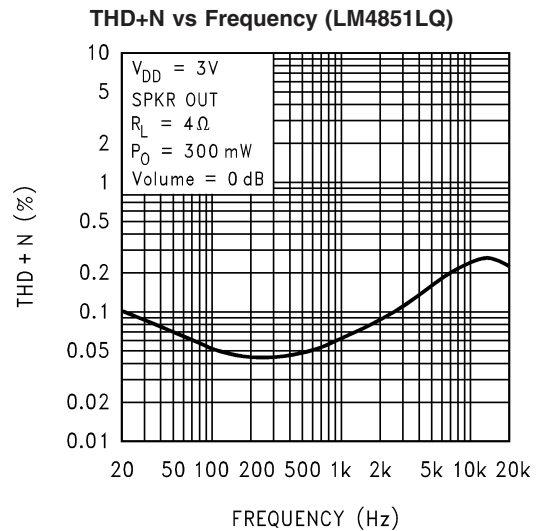
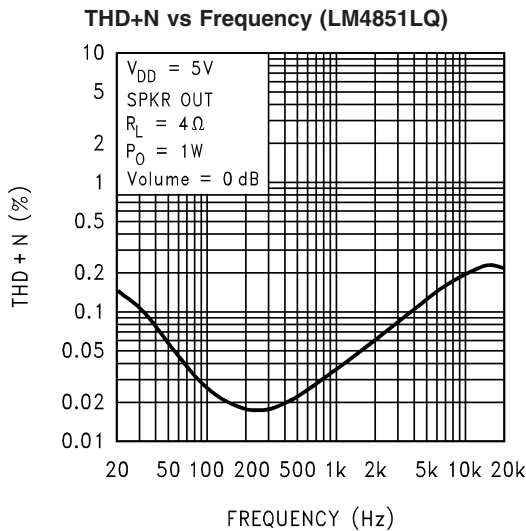
Note 10: Please refer to the Output Noise vs Output Mode table in the Typical Performance Characteristics section for more details.

External Components Description

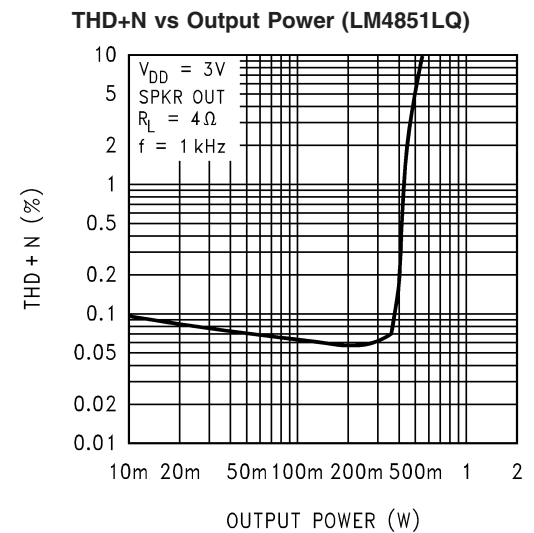
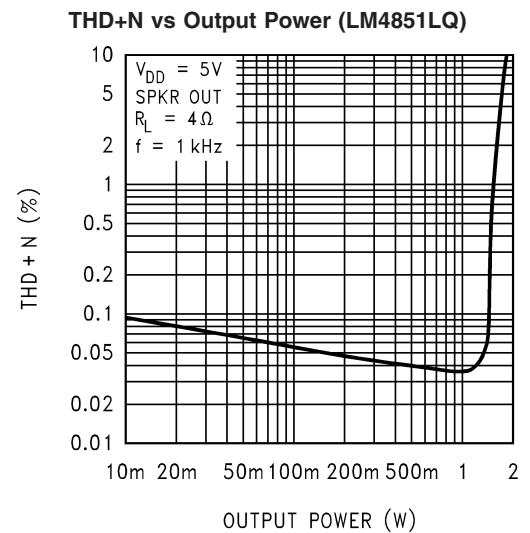
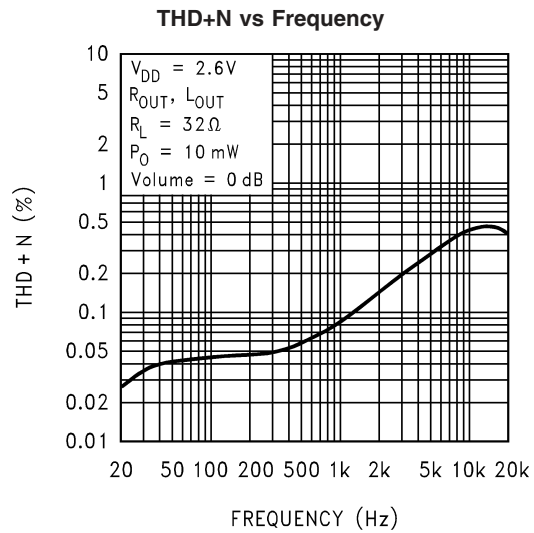
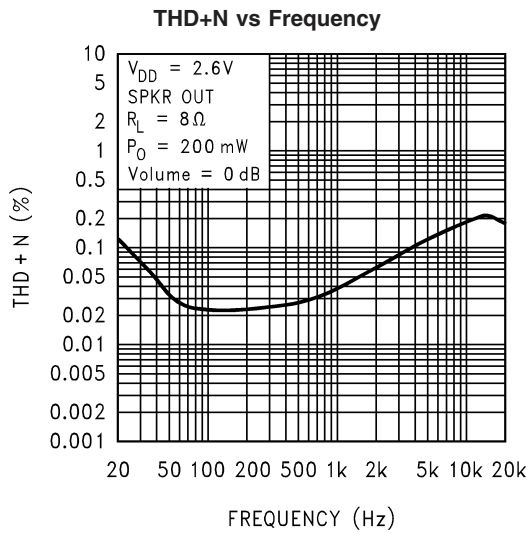
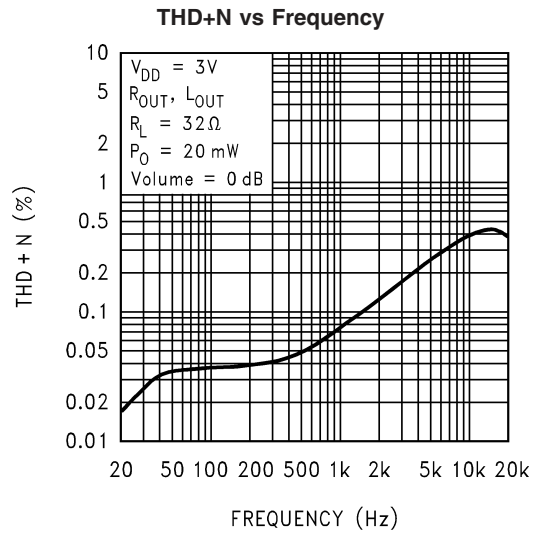
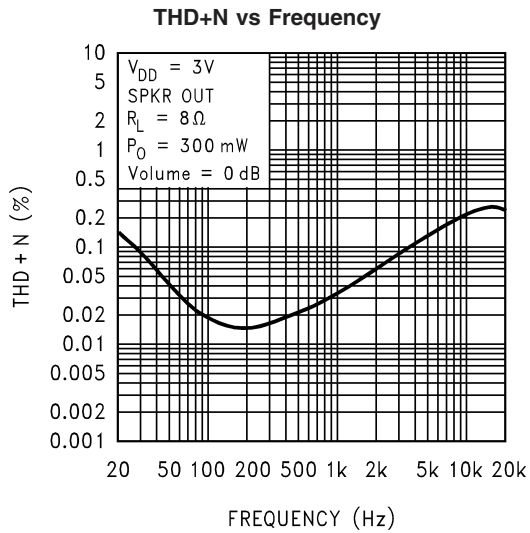
Figure 1

Components	Functional Description
1. C_{in}	This is the input coupling capacitor. It blocks the DC voltage at, and couples the the input signal to, the amplifier's input terminals. C_{in} also creates a highpass filter with the internal resistor R_i at $f_c = 1/(2\pi R_i C_i)$.
2. C_s	This is the supply bypass capacitor. It provides power supply filtering.
3. C_B	This is the BYPASS pin capacitor. It provides half-supply filtering.

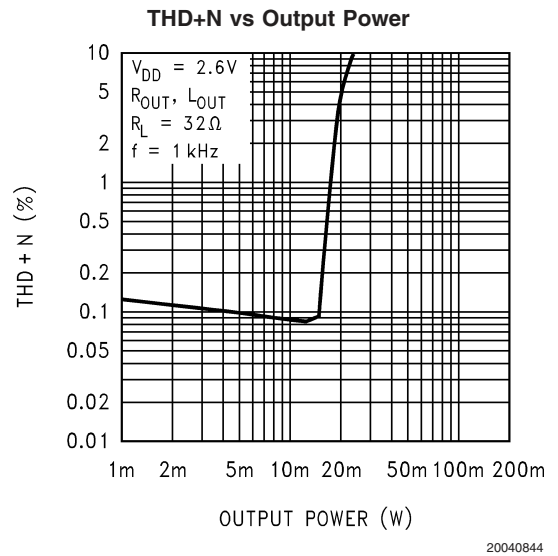
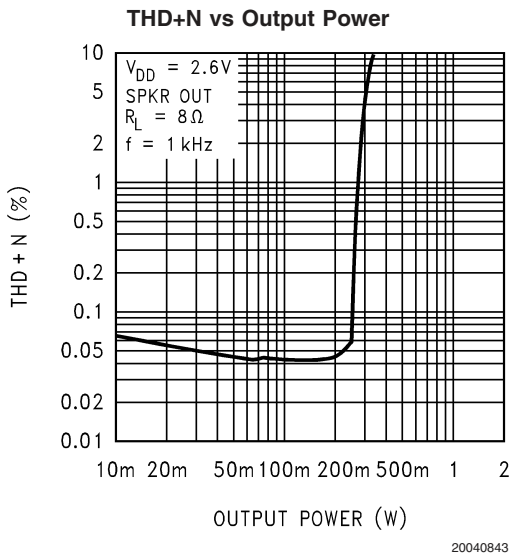
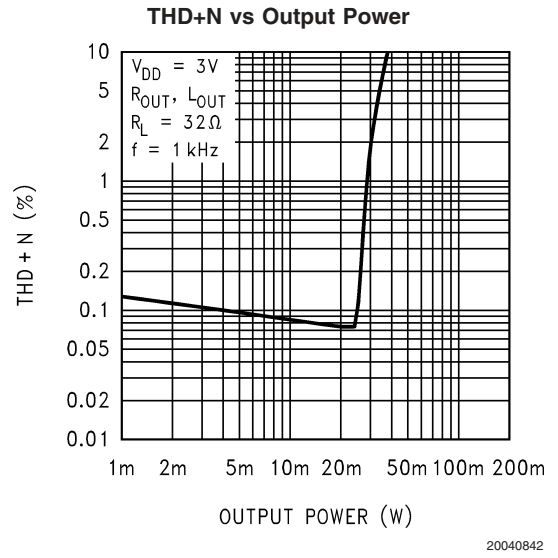
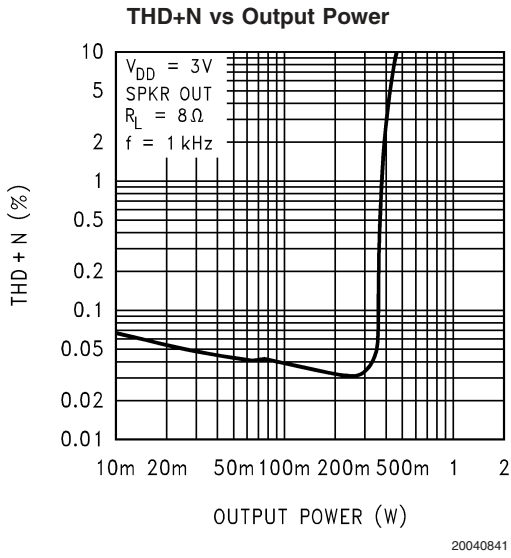
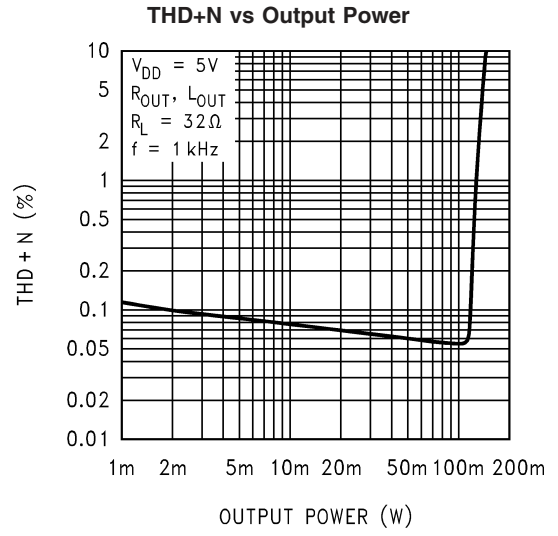
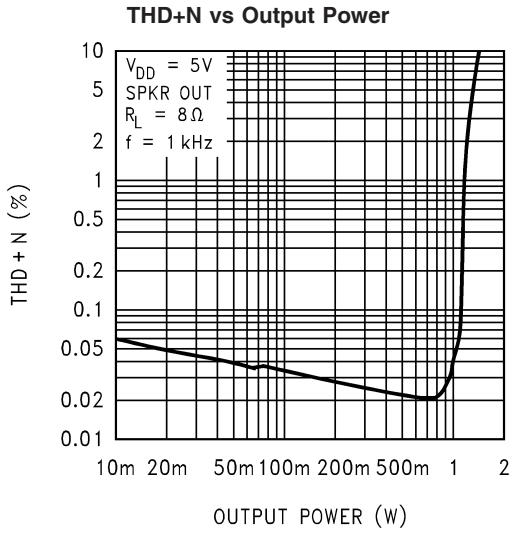
Typical Performance Characteristics



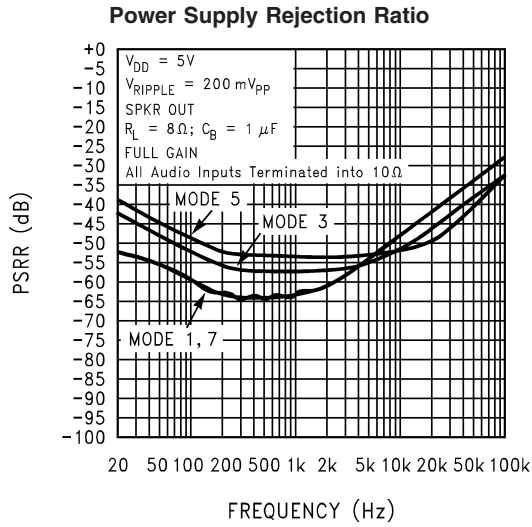
Typical Performance Characteristics (Continued)



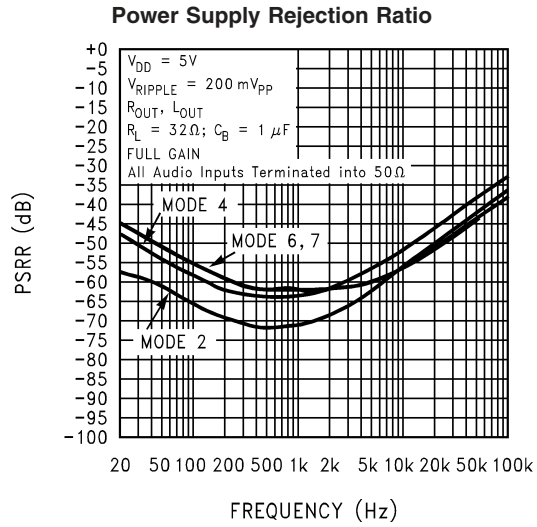
Typical Performance Characteristics (Continued)



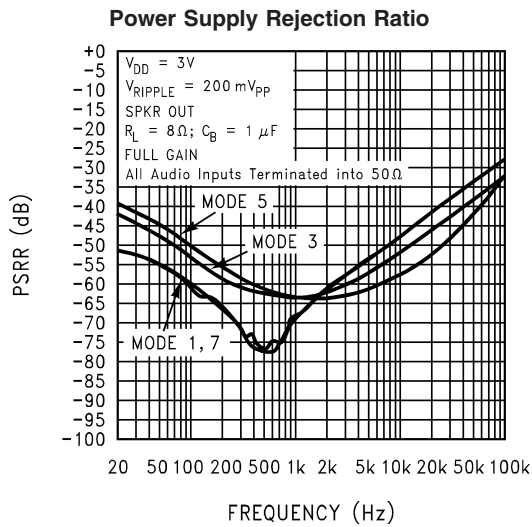
Typical Performance Characteristics (Continued)



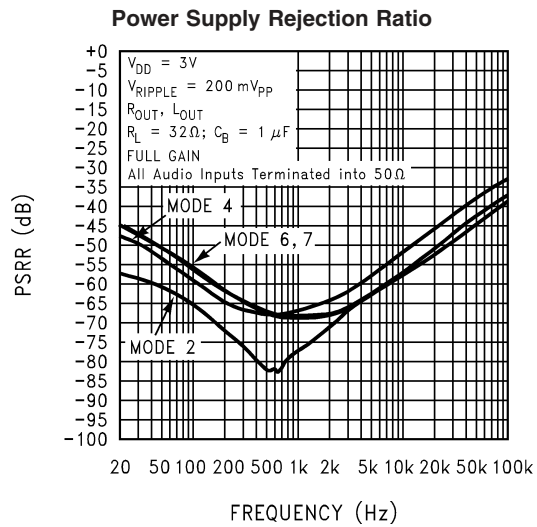
20040845



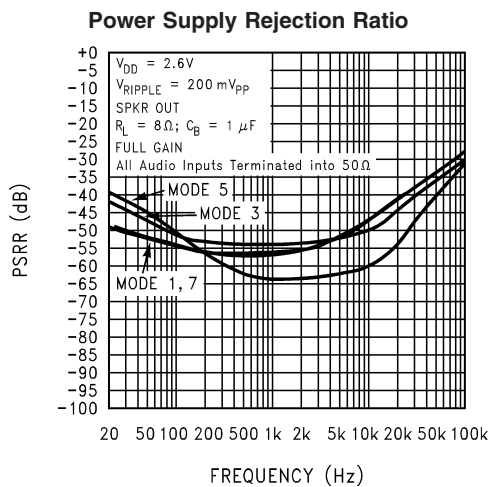
20040874



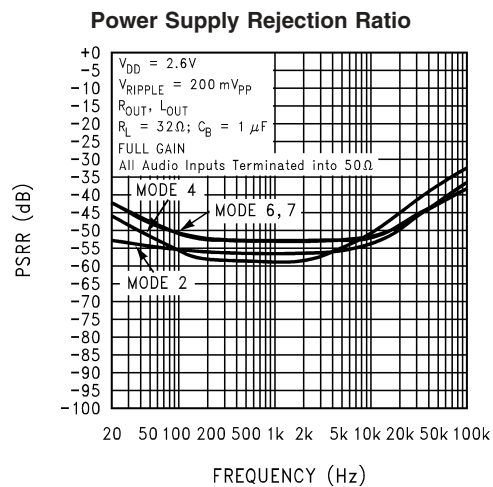
20040860



20040861



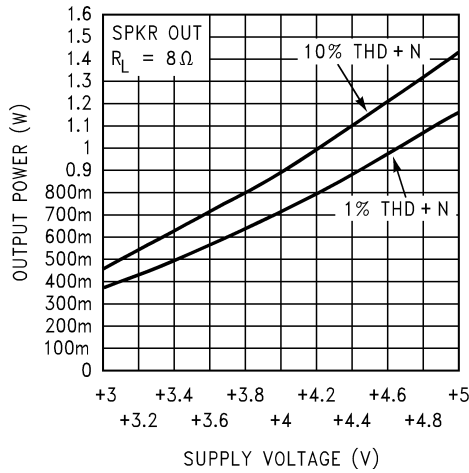
20040862



20040859

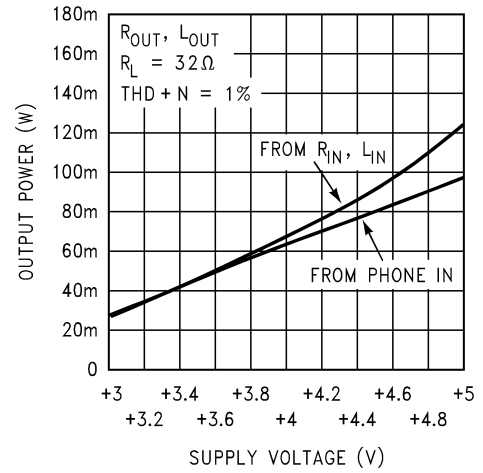
Typical Performance Characteristics (Continued)

Output Power vs Supply Voltage



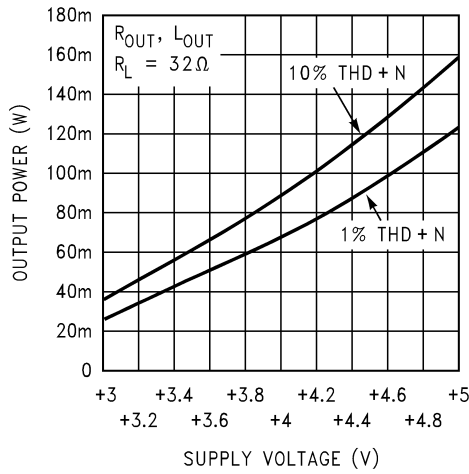
20040846

Output Power vs Supply Voltage



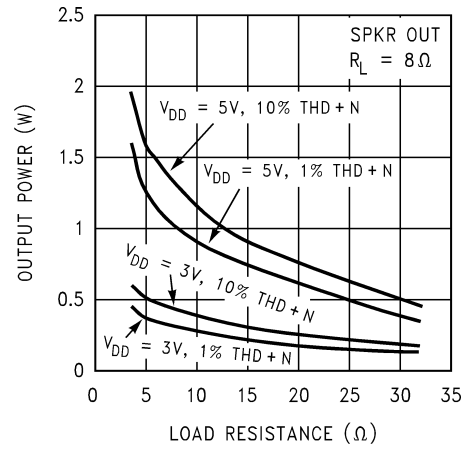
20040847

Output Power vs Supply Voltage



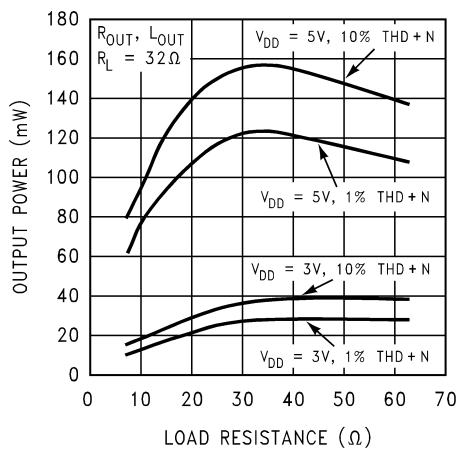
20040848

Output Power vs Load Resistance



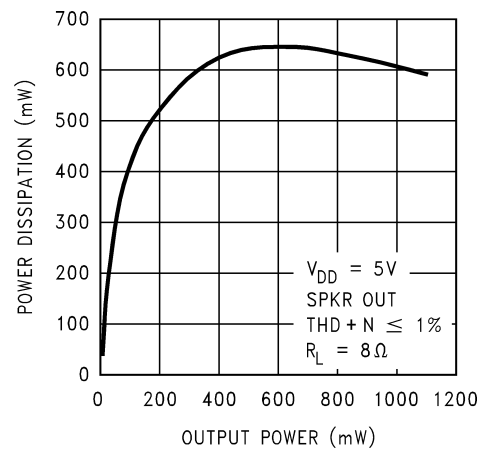
20040849

Output Power vs Load Resistance



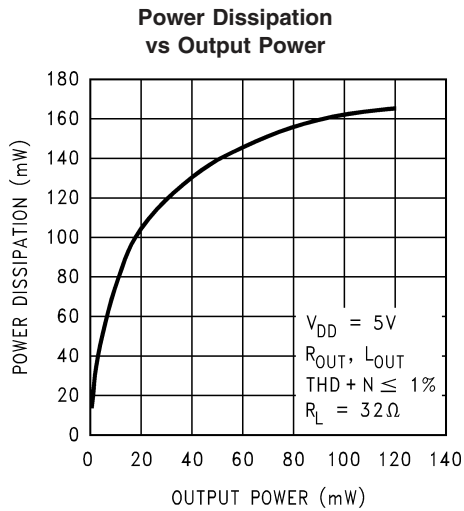
20040869

Power Dissipation vs Output Power

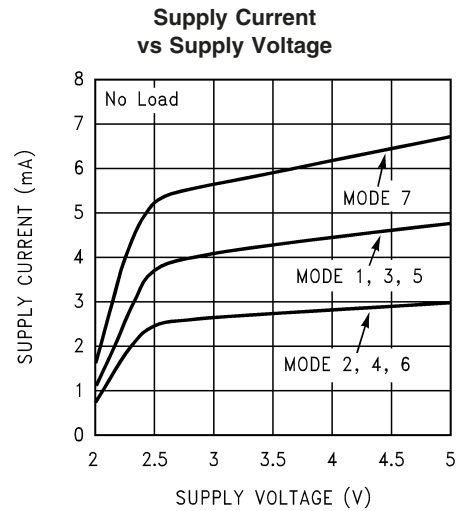


20040871

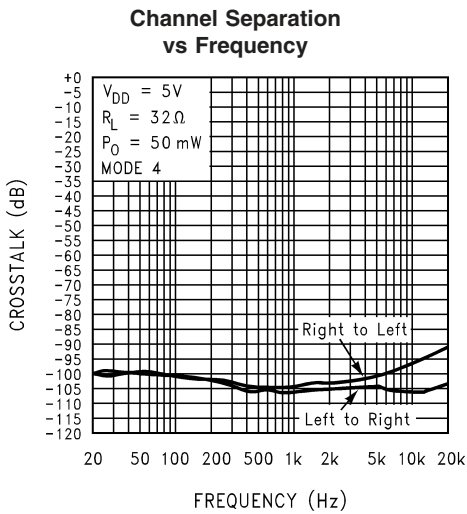
Typical Performance Characteristics (Continued)



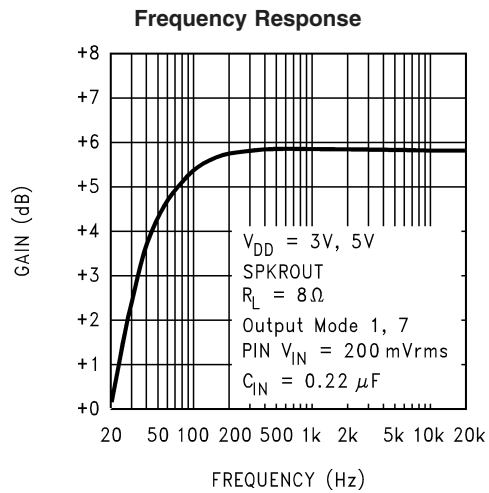
20040872



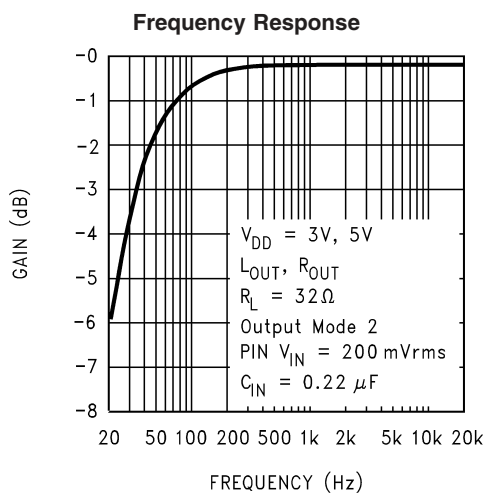
20040855



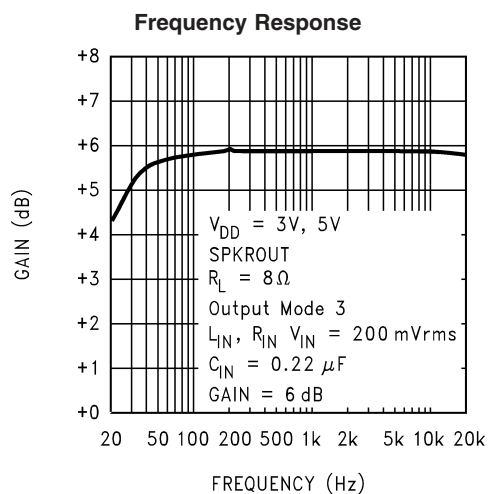
200408A6



200408A8

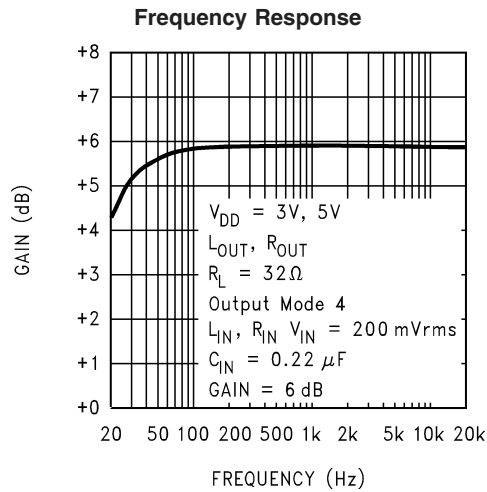


200408A9



200408B0

Typical Performance Characteristics (Continued)



200408B1

Output Noise vs Output Mode ($V_{DD} = 3V, 5V$; A-weighted)

Output Mode	SPKROUT Output Noise (μV)	LOUT/ROUT Output Noise (μV)
1	29	X
2	X	21
3	37 (G = 0dB) 42 (G = 6dB)	X
4	X	29 (G = 0dB) 32 (G = 6dB)
5	48 (G = 0dB) 53 (G = 6dB)	X
6	X	34 (G = 0dB) 37 (G = 6dB)
7	29	34 (G = 0dB) 37 (G = 6dB)

G = volume control gain
X = Not applicable

Application Information

SPI PIN DESCRIPTION

DATA: This is the serial data input pin.

CLK: This is the clock input pin.

ENB: This is the SPI enable pin and is active-high.

SPI OPERATION DESCRIPTION

The serial data bits are organized into a field which contains 8 bits of data defined by TABLE 1. The Data 0 to Data 2 bits determine the output mode of the LM4851 as shown in TABLE 2. The Data 3 to Data 7 bits determine the volume level setting as illustrated by TABLE 3. For each SPI transfer, the data bits are written to the DATA pin with the least significant bit (LSB) first. All serial data are sampled at the rising edge of the CLK signal. Once all the data bits have been sampled, ENB transitions from logic-high to logic-low to complete the SPI sequence. All 8 bits must be received before any data latch can occur. Any excess CLK and DATA transitions will be ignored after the eighth rising clock edge

has occurred. For any data sequence longer than 8 bits, only the first 8 bits will get loaded into the shift register and the rest of the bits will be disregarded.

TABLE 1. Bit Allocation

Data 0	Mode 1
Data 1	Mode 2
Data 2	Mode 3
Data 3	Volume 1
Data 4	Volume 2
Data 5	Volume 3
Data 6	Volume 4
Data 7	Volume 5

TABLE 2. Output Mode Selection

Output Mode #	Data 2	Data 1	Data 0	SPKR _{OUT}	R _{OUT}	L _{OUT}
0	0	0	0	SD	SD	SD
1	0	0	1	6dB x P	SD	SD
2	0	1	0	SD	P	P
3	0	1	1	G(R+L)	SD	SD
4	1	0	0	SD	G x R	G x L
5	1	0	1	G(R+L) + 6dB x P	SD	SD
6	1	1	0	SD	(G x R) + P	(G x L) + P
7	1	1	1	6dB x P	(G x R) + P	(G x L) + P

P = Phone In

R = Rin

L = Lin

SD = Shutdown

G = Gain of volume control

Default Mode upon device power-up is Output Mode 0

Application Information (Continued)

TABLE 3. Volume Control Settings

Gain (dB)	Data 7	Data 6	Data 5	Data 4	Data 3
-40.5	0	0	0	0	0
-39.0	0	0	0	0	1
-37.5	0	0	0	1	0
-36.0	0	0	0	1	1
-34.5	0	0	1	0	0
-33.0	0	0	1	0	1
-31.5	0	0	1	1	0
-30.0	0	0	1	1	1
-28.5	0	1	0	0	0
-27.0	0	1	0	0	1
-25.5	0	1	0	1	0
-24.0	0	1	0	1	1
-22.5	0	1	1	0	0
-21.0	0	1	1	0	1
-19.5	0	1	1	1	0
-18.0	0	1	1	1	1
-16.5	1	0	0	0	0
-15.0	1	0	0	0	1
-13.5	1	0	0	1	0
-12.0	1	0	0	1	1
-10.5	1	0	1	0	0
-9.0	1	0	1	0	1
-7.5	1	0	1	1	0
-6.0	1	0	1	1	1
-4.5	1	1	0	0	0
-3.0	1	1	0	0	1
-1.5	1	1	0	1	0
0.0	1	1	0	1	1
1.5	1	1	1	0	0
3.0	1	1	1	0	1
4.5	1	1	1	1	0
6.0	1	1	1	1	1

Application Information (Continued)

SPI OPERATIONAL REQUIREMENTS

- The data bits are transmitted with the LSB first.
- The maximum clock rate is 10MHz for the CLK pin.
- CLK must remain logic-high for at least 50ns (t_{CH}) after the rising edge of CLK, and CLK must remain logic-low for at least 50ns (t_{CL}) after the falling edge of CLK.
- The serial data bits are sampled at the rising edge of CLK. Any transition on DATA must occur at least 20ns (t_{DS}) before the rising edge of CLK. Also, any transition on DATA must occur at least 20ns (t_{DH}) after the rising edge of CLK and stabilize before the next rising edge of CLK.
- ENB should be logic-high only during serial data transmission.
- ENB must be logic-high at least 20ns (t_{ES}) before the first rising edge of CLK, and ENB has to remain logic-high at least 20ns (t_{EH}) after the eighth rising edge of CLK.
- If ENB remains logic-low for more than 10ns before all 8 bits are transmitted then the data latch will be aborted.
- If ENB is logic-high for more than 8 CLK pulses then only the first 8 data bits will be latched and activated when ENB transitions to logic-low.
- ENB must remain logic-low for at least 30ns (t_{EL}) after all 8 bits are transmitted to latch in the data.
- Coincidental rising or falling edges of CLK and ENB are not allowed. If CLK is to be held logic-high after the data transmission, the falling edge of CLK must occur at least 20ns (t_{CS}) before ENB transitions to logic-high for the next set of data.

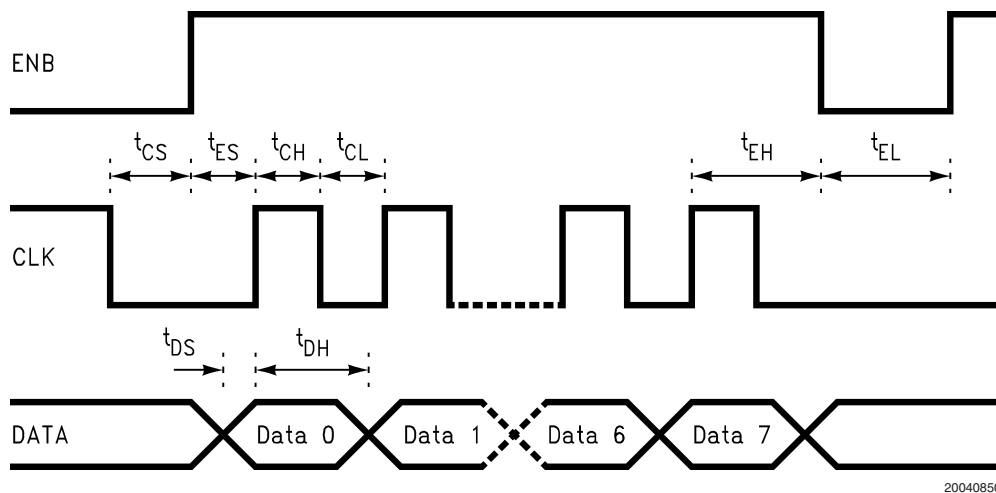


FIGURE 2. SPI Timing Diagram

EXPOSED-DAP MOUNTING CONSIDERATIONS

The LM4851's exposed-DAP (die attach paddle) package (LQ) provides a low thermal resistance between the die and the PCB to which the part is mounted and soldered. This allows rapid heat transfer from the die to the surrounding PCB copper area heatsink, copper traces, ground plane, and finally, surrounding air. The result is a low voltage audio power amplifier that produces 1.1W dissipation in an 8Ω load at $\leq 1\%$ THD+N. This high power is achieved through careful consideration of necessary thermal design. Failing to optimize thermal design may compromise the LM4851's high power performance and activate unwanted, though necessary, thermal shutdown protection.

The LQ package must have its DAP soldered to a copper pad on the PCB. The DAP's PCB copper pad is then, ideally, connected to a large plane of continuous unbroken copper. This plane forms a thermal mass, heat sink, and radiation area. Place the heat sink area on either outside plane in the case of a two-sided or multi-layer PCB. (The heat sink area can also be placed on an inner layer of a multi-layer board. The thermal resistance, however, will be higher.) Connect the DAP copper pad to the inner layer or backside copper heat sink area with 6 (3 X 2) (LQ) vias. The via diameter should be 0.012in - 0.013in with a 1.27mm pitch. Ensure efficient thermal conductivity by plugging and tenting the vias with plating and solder mask, respectively.

Best thermal performance is achieved with the largest practical copper heat sink area. If the heatsink and amplifier share the same PCB layer, a nominal 2.5in² (min) area is necessary for 5V operation with a 4Ω load. Heatsink areas not placed on the same PCB layer as the LM4851 should be 5in² (min) for the same supply voltage and load resistance. The last two area recommendations apply for 25°C ambient temperature. Increase the area to compensate for ambient temperatures above 25°C. In all circumstances and under all conditions, the junction temperature must be held below 150°C to prevent activating the LM4851's thermal shutdown protection. Further detailed and specific information concerning PCB layout and fabrication and mounting an LQ (LLP) is found in National Semiconductor's AN1187.

PCB LAYOUT AND SUPPLY REGULATION CONSIDERATIONS FOR DRIVING 3Ω AND 4Ω LOADS

Power dissipated by a load is a function of the voltage swing across the load and the load's impedance. As load impedance decreases, load dissipation becomes increasingly dependent on the interconnect (PCB trace and wire) resistance between the amplifier output pins and the load's connections. Residual trace resistance causes a voltage drop, which results in power dissipated in the trace and not in the load as desired. For example, 0.1Ω trace resistance reduces the output power dissipated by a 4Ω load from 1.7W to 1.6W. The problem of decreased load dissipation is exacerbated

Application Information (Continued)

as load impedance decreases. Therefore, to maintain the highest load dissipation and widest output voltage swing, PCB traces that connect the output pins to a load must be as wide as possible.

Poor power supply regulation adversely affects maximum output power. A poorly regulated supply's output voltage decreases with increasing load current. Reduced supply voltage causes decreased headroom, output signal clipping, and reduced output power. Even with tightly regulated supplies, trace resistance creates the same effects as poor supply regulation. Therefore, making the power supply traces as wide as possible helps maintain full output voltage swing.

BRIDGE CONFIGURATION EXPLANATION

As shown in Figure 1, the LM4851 consists of three pairs of output amplifier blocks (A4-A6). A4, A5, and A6 consist of bridged-tied amplifier pairs that drive LOU_T, ROU_T, and SPKROU_T respectively. The LM4851 drives a load, such as a speaker, connected between outputs, SPKROU_T+ and SPKROU_T-. In the amplifier block A6, the output of the amplifier that drives SPKROU_T- serves as the input to the unity gain inverting amplifier that drives SPKROU_T+

This results in both amplifiers producing signals identical in magnitude, but 180° out of phase. Taking advantage of this phase difference, a load is placed between SPKROU_T- and SPKROU_T+ and driven differentially (commonly referred to as 'bridge mode'). Assuming $R_F = R_i$, this results in a differential or BTL gain of:

$$A_{VD} = 2(R_F/R_i) = 2 \quad (1)$$

Bridge mode amplifiers are different from single-ended amplifiers that drive loads connected between a single amplifier's output and ground. For a given supply voltage, bridge mode has a distinct advantage over the single-ended configuration: its differential output doubles the voltage swing across the load. Theoretically, this produces four times the output power when compared to a single-ended amplifier under the same conditions. This increase in attainable output power assumes that the amplifier is not current limited and that the output signal is not clipped.

Another advantage of the differential bridge output is no net DC voltage across the load. This is accomplished by biasing SPKROU_T- and SPKROU_T+ outputs at half-supply. This eliminates the coupling capacitor that single supply, single-ended amplifiers require. Eliminating an output coupling capacitor in a typical single-ended configuration forces a single-supply amplifier's half-supply bias voltage across the load. This increases internal IC power dissipation and may permanently damage loads such as speakers.

POWER DISSIPATION

Power dissipation is a major concern when designing a successful single-ended or bridged amplifier.

A direct consequence of the increased power delivered to the load by a bridge amplifier is higher internal power dissipation. The LM4851 has a pair of bridged-tied amplifiers driving a handsfree speaker, SPKROU_T. The maximum internal power dissipation operating in the bridge mode is

twice that of a single-ended amplifier. From Equation (2), assuming a 5V power supply and an 8Ω load, the maximum SPKROU_T power dissipation is 634mW.

$$P_{\text{DMAX-SPKROU}} = 4(V_{\text{DD}})^2/(2\pi^2 R_L): \text{Bridge Mode} \quad (2)$$

The LM4851 also has 2 pairs of bridged-tied amplifiers driving stereo headphones, ROU_T and LOU_T. The maximum internal power dissipation for ROU_T and LOU_T is given by equation (3) and (4). From Equations (3) and (4), assuming a 5V power supply and a 32Ω load, the maximum power dissipation for LOU_T and ROU_T is 158mW, or 316mW total.

$$P_{\text{DMAX-LOU}} = 4(V_{\text{DD}})^2/(2\pi^2 R_L): \text{Bridge Mode} \quad (3)$$

$$P_{\text{DMAX-ROU}} = 4(V_{\text{DD}})^2/(2\pi^2 R_L): \text{Bridge Mode} \quad (4)$$

The maximum internal power dissipation of the LM4851 occurs when all 3 amplifiers pairs are simultaneously on; and is given by Equation (5).

$$P_{\text{DMAX-TOTAL}} = P_{\text{DMAX-SPKROU}} + P_{\text{DMAX-LOU}} + P_{\text{DMAX-ROU}} \quad (5)$$

The maximum power dissipation point given by Equation (5) must not exceed the power dissipation given by Equation (6):

$$P_{\text{DMAX}}' = (T_{\text{JMAX}} - T_A)/\theta_{\text{JA}} \quad (6)$$

The LM4851's $T_{\text{JMAX}} = 150^\circ\text{C}$. In the IBL and ITL packages, the LM4851's θ_{JA} is 48°C/W. In the LQ package soldered to a DAP pad that expands to a copper area of 2.5in² on a PCB, the LM4851's θ_{JA} is 42°C/W. At any given ambient temperature T_A , use Equation (6) to find the maximum internal power dissipation supported by the IC packaging. Rearranging Equation (6) and substituting $P_{\text{DMAX-TOTAL}}$ for P_{DMAX}' results in Equation (7). This equation gives the maximum ambient temperature that still allows maximum stereo power dissipation without violating the LM4851's maximum junction temperature.

$$T_A = T_{\text{JMAX}} - P_{\text{DMAX-TOTAL}}\theta_{\text{JA}} \quad (7)$$

For a typical application with a 5V power supply and an 8Ω load, the maximum ambient temperature that allows maximum stereo power dissipation without exceeding the maximum junction temperature is approximately 104°C for the IBL package.

$$T_{\text{JMAX}} = P_{\text{DMAX-TOTAL}}\theta_{\text{JA}} + T_A \quad (8)$$

Equation (8) gives the maximum junction temperature T_{JMAX} . If the result violates the LM4851's 150°C, reduce the maximum junction temperature by reducing the power supply voltage or increasing the load resistance. Further allowance should be made for increased ambient temperatures.

The above examples assume that a device is a surface mount part operating around the maximum power dissipation point. Since internal power dissipation is a function of output

Application Information (Continued)

power, higher ambient temperatures are allowed as output power or duty cycle decreases. If the result of Equation (5) is greater than that of Equation (6), then decrease the supply voltage, increase the load impedance, or reduce the ambient temperature. If these measures are insufficient, a heat sink can be added to reduce θ_{JA} . The heat sink can be created using additional copper area around the package, with connections to the ground pin(s), supply pin and amplifier output pins. External, solder attached SMT heatsinks such as the Thermalloy 7106D can also improve power dissipation. When adding a heat sink, the θ_{JA} is the sum of θ_{JC} , θ_{CS} , and θ_{SA} . (θ_{JC} is the junction-to-case thermal impedance, θ_{CS} is the case-to-sink thermal impedance, and θ_{SA} is the sink-to-ambient thermal impedance.) Refer to the Typical Performance Characteristics curves for power dissipation information at lower output power levels.

POWER SUPPLY BYPASSING

As with any power amplifier, proper supply bypassing is critical for low noise performance and high power supply rejection. Applications that employ a 5V regulator typically use a 10 μ F in parallel with a 0.1 μ F filter capacitors to stabilize the regulator's output, reduce noise on the supply line, and improve the supply's transient response. However, their presence does not eliminate the need for a local 1.0 μ F tantalum bypass capacitance connected between the LM4851's supply pins and ground. Keep the length of leads and traces that connect capacitors between the LM4851's power supply pin and ground as short as possible. Connecting a 1 μ F capacitor, C_B , between the BYPASS pin and ground improves the internal bias voltage's stability and improves the amplifier's PSRR. The PSRR improvements increase as the bypass pin capacitor value increases. Too large, however, increases turn-on time and can compromise the amplifier's click and pop performance. The selection of bypass capacitor values, especially C_B , depends on desired PSRR requirements, click and pop performance (as explained in the section, Proper Selection of External Components), system cost, and size constraints.

SELECTING EXTERNAL COMPONENTS

Input Capacitor Value Selection

Amplifying the lowest audio frequencies requires high value input coupling capacitor (C_i in Figure 1). A high value capacitor can be expensive and may compromise space efficiency in portable designs. In many cases, however, the speakers used in portable systems, whether internal or external, have little ability to reproduce signals below 150Hz. Applications using speakers with this limited frequency response reap little improvement by using large input capacitor.

The internal input resistor (R_i) and the input capacitor (C_i) produce a high pass filter cutoff frequency that is found using Equation (9).

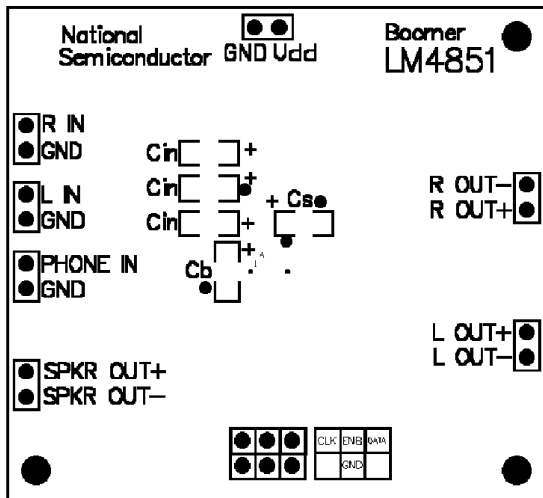
$$f_c = 1 / (2\pi R_i C_i) \quad (9)$$

As an example when using a speaker with a low frequency limit of 150Hz, C_i , using Equation (9) is 0.063 μ F. The 0.22 μ F C_i shown in Figure 1 allows the LM4851 to drive high efficiency, full range speaker whose response extends below 40Hz.

Bypass Capacitor Value Selection

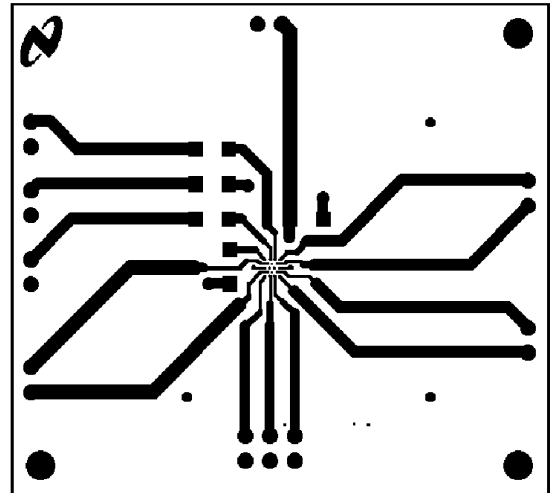
Besides minimizing the input capacitor size, careful consideration should be paid to value of C_B , the capacitor connected to the BYPASS pin. Since C_B determines how fast the LM4851 settles to quiescent operation, its value is critical when minimizing turn-on pops. The slower the LM4851's outputs ramp to their quiescent DC voltage (nominally $V_{DD}/2$), the smaller the turn-on pop. Choosing C_B equal to 1.0 μ F along with a small value of C_i (in the range of 0.1 μ F to 0.39 μ F), produces a click-less and pop-less shutdown function. As discussed above, choosing C_i no larger than necessary for the desired bandwidth helps minimize clicks and pops. C_B 's value should be in the range of 5 times to 7 times the value of C_i . This ensures that output transients are eliminated when power is first applied or the LM4851 resumes operation after shutdown.

Demonstration Board Layout



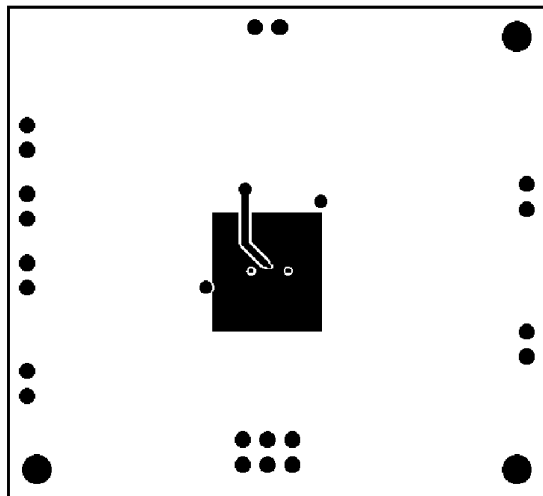
200408A1

FIGURE 3. Recommended IBL, ITL PC Board Layout: Top Silkscreen



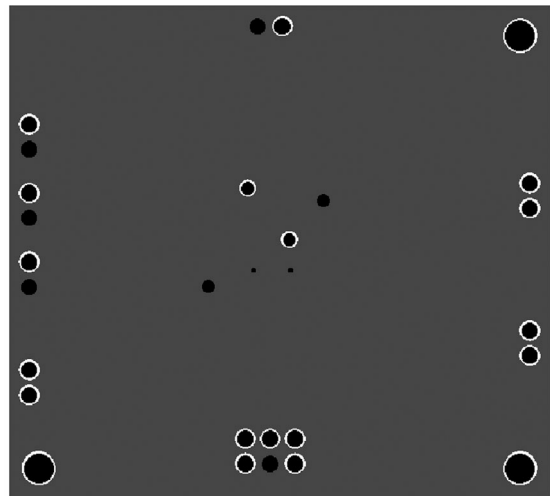
200408A3

FIGURE 5. Recommended IBL, ITL PC Board Layout: Top Layer



200408A2

FIGURE 4. Recommended IBL, ITL PC Board Layout: Inner Layer

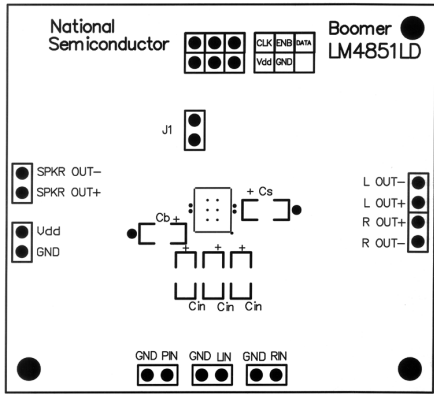


200408A4

FIGURE 6. Recommended IBL, ITL PC Board Layout: Bottom Layer

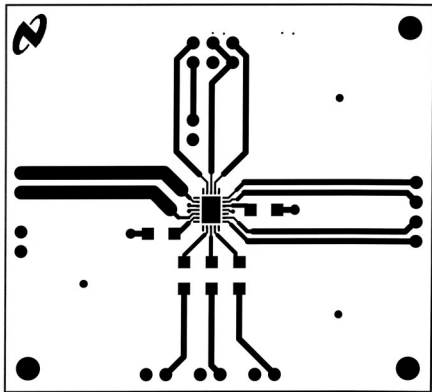
Demonstration Board Layout

(Continued)



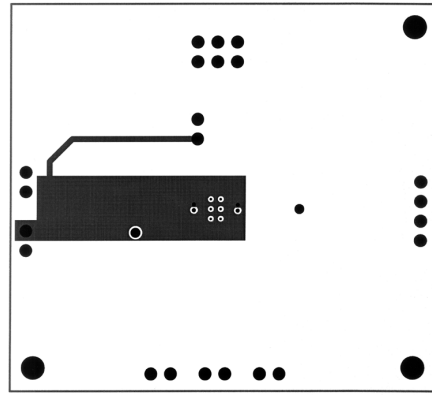
200408B8

FIGURE 7. Recommended LQ PC Board Layout: Top Silkscreen Layer



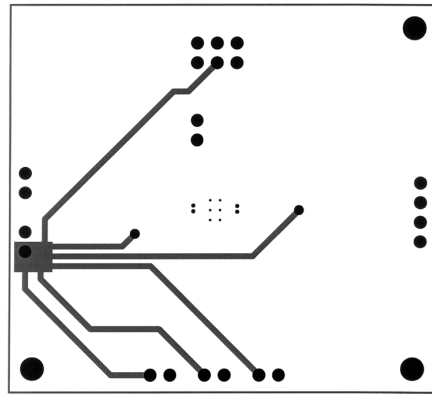
200408B9

FIGURE 8. Recommended LQ PC Board Layout: Top Layer



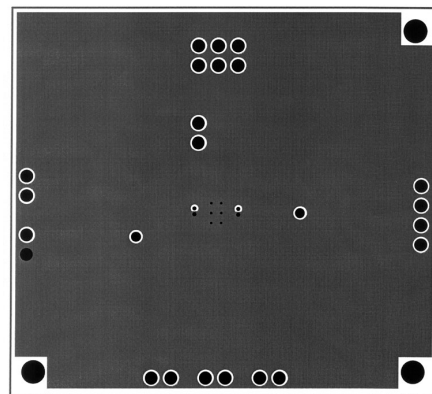
200408C0

FIGURE 9. Recommended LQ PC Board Layout: Inner Layer 1



200408C1

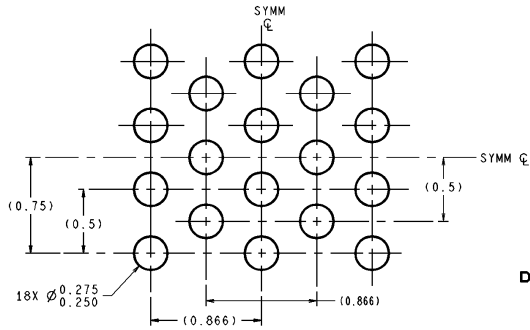
FIGURE 10. Recommended LQ PC Board Layout: Inner Layer 2



200408C2

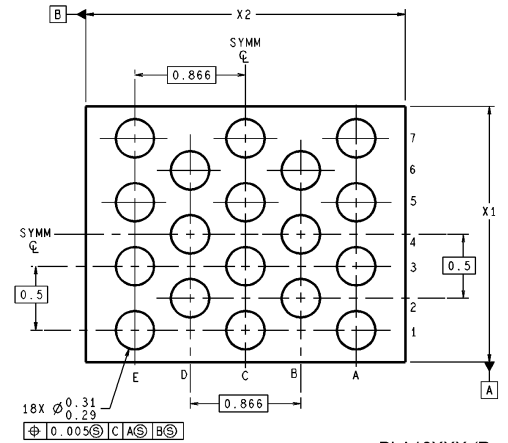
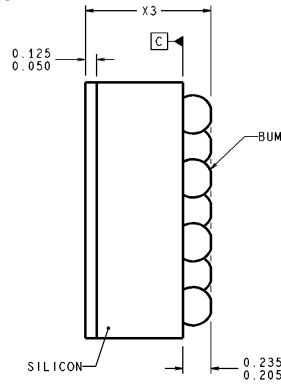
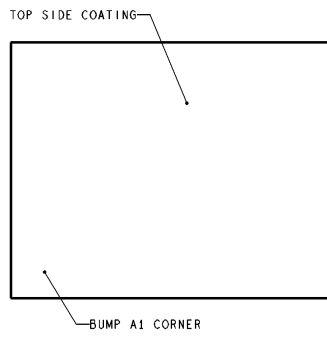
FIGURE 11. Recommended LQ PC Board Layout: Bottom Layer

Physical Dimensions inches (millimeters) unless otherwise noted



DIMENSIONS ARE IN MILLIMETERS

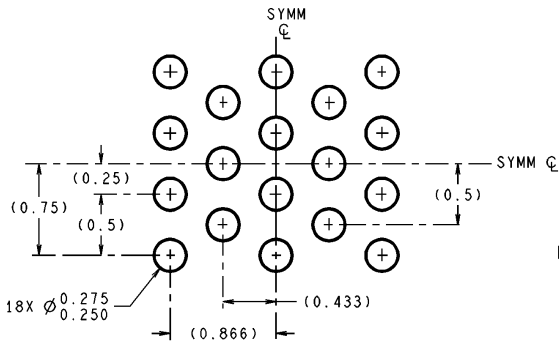
LAND PATTERN RECOMMENDATION



BLA18XXX (Rev B)

18-Bump micro SMD
Order Number LM4851IBL
NS Package Number BLA18AAB
X₁ = 1.996 X₂ = 2.225 X₃ = 0.945

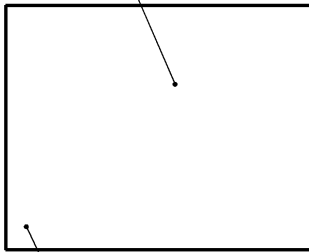
Physical Dimensions inches (millimeters) unless otherwise noted (Continued)



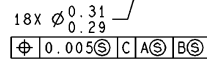
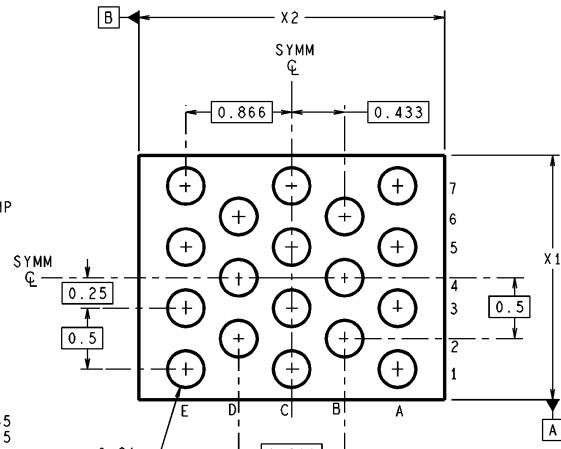
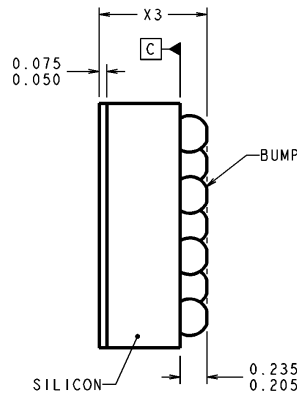
DIMENSIONS ARE IN MILLIMETERS

LAND PATTERN RECOMMENDATION

TOP SIDE COATING



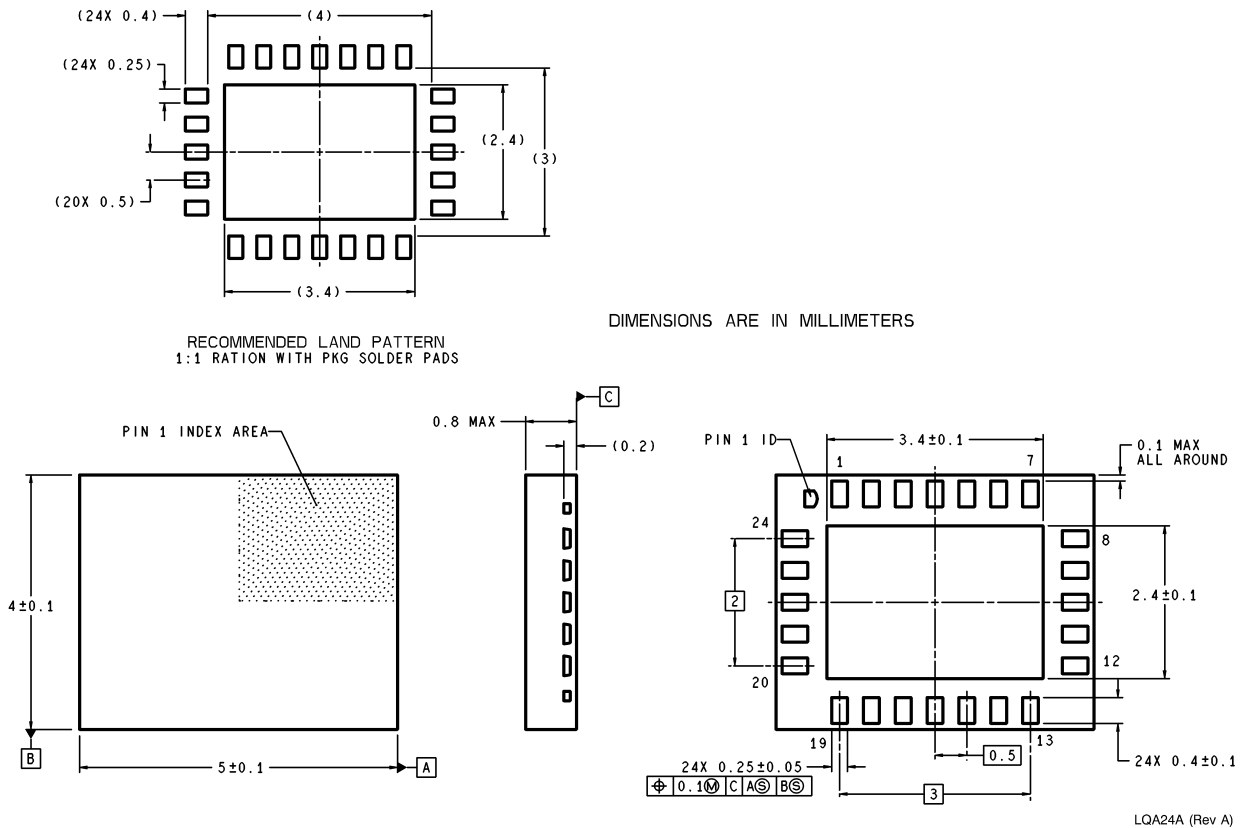
BUMP A1 CORNER



TLA18XXX (Rev A)

18-Bump micro SMD
Order Number LM4851ITL
NS Package Number TLA18AAA
X₁ = 1.996 X₂ = 2.225 X₃ = 0.600

Physical Dimensions inches (millimeters) unless otherwise noted (Continued)



24-Lead MOLDED PKG, Leadless Leadframe Package LLP
Order Number LM4851LQ
NS Package Number LQA24A

LIFE SUPPORT POLICY

NATIONAL'S PRODUCTS ARE NOT AUTHORIZED FOR USE AS CRITICAL COMPONENTS IN LIFE SUPPORT DEVICES OR SYSTEMS WITHOUT THE EXPRESS WRITTEN APPROVAL OF THE PRESIDENT AND GENERAL COUNSEL OF NATIONAL SEMICONDUCTOR CORPORATION. As used herein:

1. Life support devices or systems are devices or systems which, (a) are intended for surgical implant into the body, or (b) support or sustain life, and whose failure to perform when properly used in accordance with instructions for use provided in the labeling, can be reasonably expected to result in a significant injury to the user.
2. A critical component is any component of a life support device or system whose failure to perform can be reasonably expected to cause the failure of the life support device or system, or to affect its safety or effectiveness.

National Semiconductor Corporation
Americas
Email: support@nsc.com

www.national.com

National Semiconductor Europe
Fax: +49 (0) 180-530 85 86
Email: europe.support@nsc.com
Deutsch Tel: +49 (0) 69 9508 6208
English Tel: +44 (0) 870 24 0 2171
Français Tel: +33 (0) 1 41 91 8790

National Semiconductor Asia Pacific Customer Response Group
Tel: 65-2544466
Fax: 65-2504466
Email: ap.support@nsc.com

National Semiconductor Japan Ltd.
Tel: 81-3-5639-7560
Fax: 81-3-5639-7507