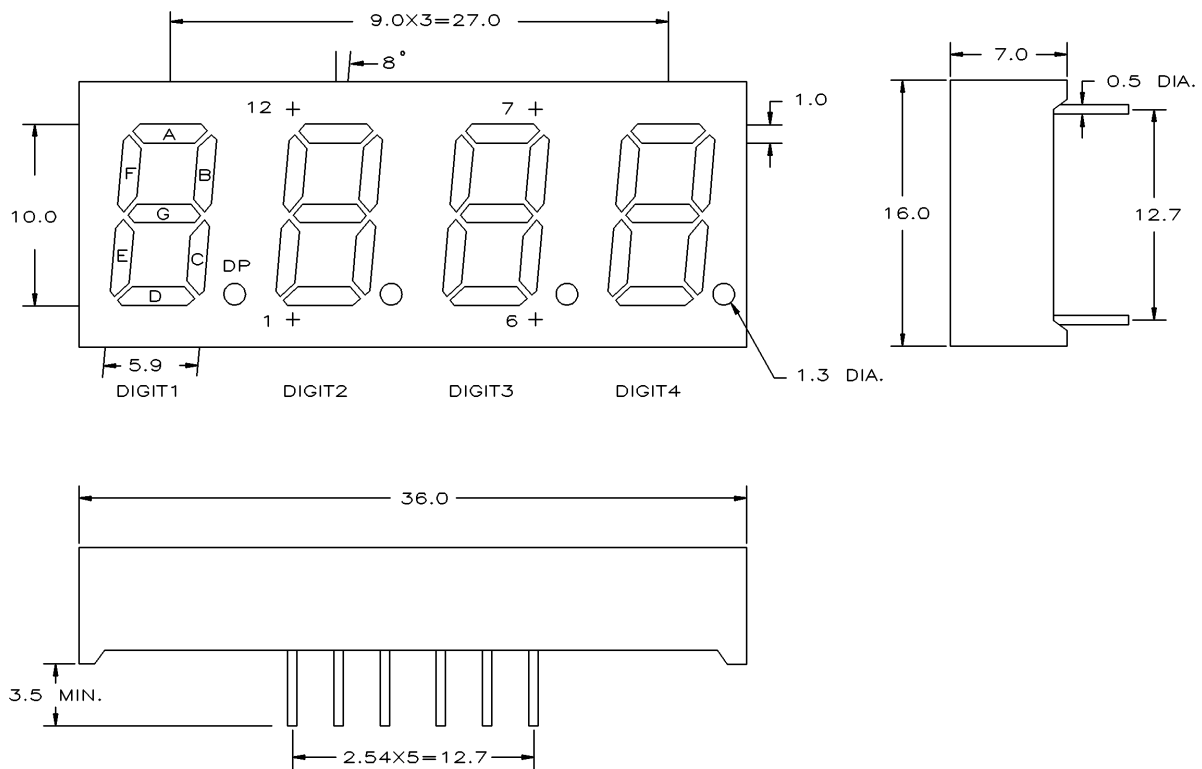


Ledtech FOUR DIGIT DISPLAY

0.4" FOUR DIGIT DISPLAY Electrical/Optical Characteristics at $T_A=25^\circ\text{C}$ & $I_F=20\text{mA}$

PART NUMBER	CHIP COLOR	λ_p (nm)	V_F (V)		I_V (mcd)	
			TYP.	MAX.	MIN.	TYP.
LN(M)4024-11EWRN	GREEN	572	2.1	2.4	1.7	2.9
LN(M)4034-11EWRN	YELLOW	589	2.1	2.4	1.4	2.3
LN(M)4044-11EWRN	ORANGE	630	2.1	2.4	2.0	3.3
LN(M)4044R-11RRRN	ORANGE	630	2.1	2.4	2.0	3.3
LN(M)4074-11-M1EWRN	RED	660	1.7	2.2	2.0	3.3
LN(M)4054-11EWRN	RED	700	2.1	2.4	0.5	0.8



LN40X4-11 COMMON ANODE PIN

PIN NO.	FUNCTION
1. CATHODE	E
2. CATHODE	D
3. CATHODE	DP
4. CATHODE	C
5. CATHODE	G
6. COMMON	ANODE (DIGIT 4)
7. CATHODE	B
8. COMMON	ANODE (DIGIT 3)
9. COMMON	ANODE (DIGIT 2)
10. CATHODE	F
11. CATHODE	A
12. COMMON	ANODE (DIGIT1)

LM40X4-11 COMMON CATHODE PIN

PIN NO.	FUNCTION
1. ANODE	E
2. ANODE	D
3. ANODE	DP
4. ANODE	C
5. ANODE	G
6. COMMON	CATHODE (DIGIT 4)
7. ANODE	B
8. COMMON	CATHODE (DIGIT 3)
9. COMMON	CATHODE (DIGIT 2)
10. ANODE	F
11. ANODE	A
12. COMMON	CATHODE (DIGIT1)