

#### INTRODUCTION:

Adam Tech RT1 relays are modern, low profile, signal level relays offered in an ultra small package with SMT terminals and are available with coil voltages from 5-48VDC. These 2 form C relays are designed for all low signal applications such as test equipment, security equipment and medical equipment.

#### FEATURES:

- 1 Amp switching capability
- Low profile .192" (4.9mm)
- Low coil power of 140mw
- Tape and Reel packaging

#### SPECIFICATIONS:

Electrical:

Contact arrangement: 2 Form C

Contact material: Gold clad, Silver alloy

Contact Rating (Resistive load): 0.5A @ 125V AC  
1A @ 30V DC

Max. Switching Voltage: 120V AC / 30V DC

Max. Switching Power: 62VA / 30W

Contact resistance: 100 mΩ max. Initial

Insulation resistance: 100 MΩ min. @ 500V DC

Dielectric withstanding voltage:

Between Coil & Contact: 500V AC 50/60Hz for 1 min.

Between Contacts: 1000V AC 50/60Hz for 1 min.

Operating time: 6 ms max.

Release time: 4 ms max.

Electrical Life: 100,000 Operations (at rated load)

#### MECHANICAL:

Vibration resistance (Endurance): 1.5mm Double Amplitude 10-55Hz

Shock resistance: 10G min.

Mechanical Life: 10,000,000 Operations (no load)

#### TEMPERATURE RATING:

Ambient temperature: -40°C to +85°C

#### PACKAGING:

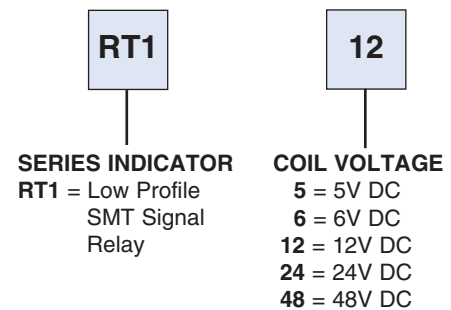
Anti-ESD plastic tubes

#### SAFETY AGENCY APPROVALS:

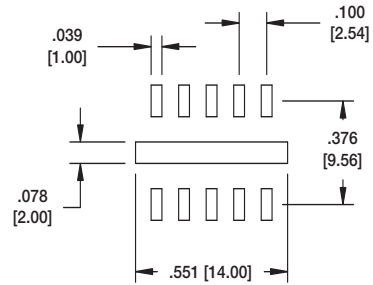
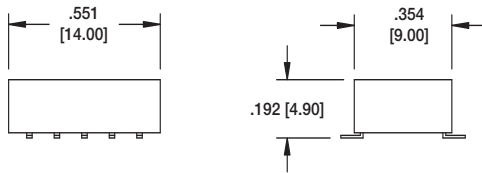
cUL Recognized File No. E305638



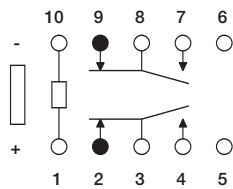
### ORDERING INFORMATION LOW PROFILE SMT SIGNAL RELAY



#### RT1 SERIES



Recommended PCB Layout



SCHEMATIC



RT1-5

| Nominal Voltage V DC | Pick-up Voltage V DC (max.) | Drop-out Voltage V DC (min.) | Nominal Operating Current mA (±10%) | Coil Resistance (±10%) | Nominal Operating Power mW | Max allowable Voltage V DC |
|----------------------|-----------------------------|------------------------------|-------------------------------------|------------------------|----------------------------|----------------------------|
| 5                    | 3.75                        | 0.5                          | 28.1                                | 178                    | 140                        | 7.5                        |
| 6                    | 4.5                         | 0.6                          | 23.3                                | 257                    | 140                        | 9                          |
| 12                   | 9                           | 1.2                          | 11.7                                | 1,028                  | 140                        | 18                         |
| 24                   | 18                          | 2.4                          | 8.3                                 | 2,880                  | 200                        | 36                         |
| 48                   | 36                          | 4.8                          | 6.3                                 | 7,680                  | 300                        | 57.6                       |

**INTRODUCTION:**

Adam Tech RT2 relays are small signal level relays whose footprint matches a standard 16 pin DIP socket and are available with coil voltages from 5~48VDC. These 2 form C relays are designed for all signal applications up to 2 amps, such as security equipment, test equipment and medical equipment

**FEATURES:**

High sensitivity: 200 mW nominal operating power.  
2 Amp switching capability  
Power consumption of 200mW  
High mounting density on P.C.board by small size and light weight.  
Sealed construction.

**SPECIFICATIONS:****ELECTRICAL:**

Contact arrangement: 2 Form C  
Contact material: Gold clad, Silver Alloy  
Contact Rating (Resistive load): 1A @ 120V AC  
2A @ 30V DC  
Max. Switching Voltage: 120V AC / 30V DC  
Max. Switching Power: 100VA / 60W  
Contact resistance: 100 mΩ max. Initial  
Insulation resistance: 100 MΩ min. @ 500V DC  
Dielectric withstanding voltage:  
Between Coil & Contact: 500V AC 50/60Hz for 1 min.  
Between Contacts: 1000V AC 50/60Hz for 1 min.  
Operating time: 6 ms max.  
Release time: 4 ms max.  
Electrical Life: 100,000 Operations (at rated load)

**MECHANICAL:**

Vibration resistance (Endurance): 1.5mm Double Amplitude 10-55Hz  
Shock resistance: 10G min.  
Mechanical Life: 10,000,000 Operations (no load)

**TEMPERATURE RATING:**

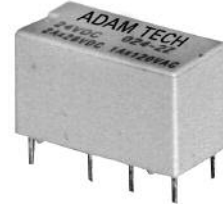
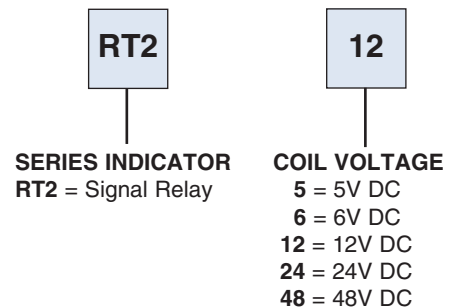
Ambient temperature: -40°C to +85°C

**PACKAGING:**

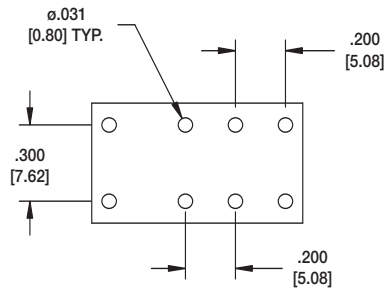
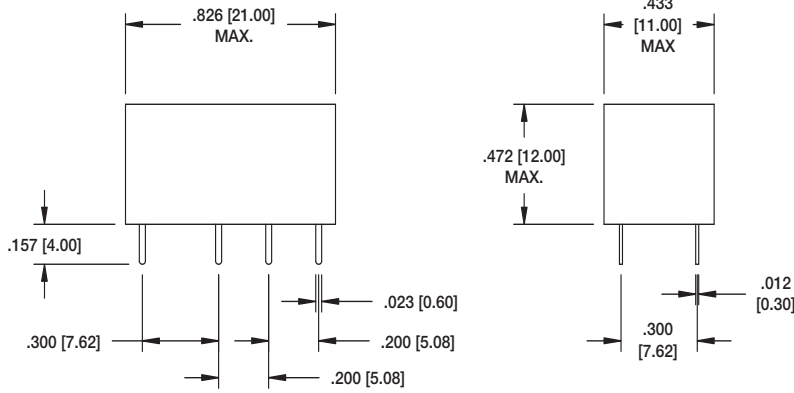
Anti-ESD plastic tubes  
Tape & Reel

**SAFETY AGENCY APPROVALS:**

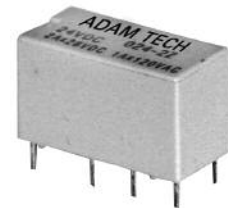
cUL Recognized File No. E305638

**ORDERING INFORMATION**  
**SIGNAL RELAY**

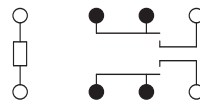
#### RT2 SERIES



Recommended PCB Layout



RT2-24



Schematic

| Nominal Voltage<br>V DC | Pick-up Voltage<br>V DC (max.) | Drop-out Voltage<br>V DC (min.) | Nominal Operating Current<br>mA ( $\pm 10\%$ ) | Coil Resistance<br>( $\pm 10\%$ ) | Nominal Operating Power<br>mW | Max allowable Voltage<br>V DC |
|-------------------------|--------------------------------|---------------------------------|------------------------------------------------|-----------------------------------|-------------------------------|-------------------------------|
| 5                       | 3.5                            | 0.5                             | 40                                             | 125                               | 200                           | 10                            |
| 6                       | 4.2                            | 0.6                             | 33.3                                           | 180                               | 200                           | 12                            |
| 12                      | 8.4                            | 1.2                             | 16.7                                           | 720                               | 200                           | 24                            |
| 24                      | 16.8                           | 2.4                             | 8.3                                            | 2,880                             | 200                           | 48                            |
| 48                      | 33.6                           | 4.8                             | 6.3                                            | 7,680                             | 300                           | 86                            |

### INTRODUCTION:

Adam Tech RPS relays are modern PCB low power relays. Sometimes known as 'Sugar Cube' relays, these small relays can switch loads up to 10 amps. They are available in 1 form A, and 1 form C contact formats within a sealed package. These relays are popular in applications such as small appliances, vending machines, and office equipment.

### FEATURES:

10 Amp switching capability  
Power consumption of 360mW  
Sealed construction.

### SPECIFICATIONS:

#### ELECTRICAL:

Contact arrangement: 1 Form A & 1 Form C  
Contact material: Silver Alloy  
Contact Rating (Resistive load): 7A and 10A @ 250V AC  
10A @ 30V DC  
Max. Switching Voltage: 250V AC / 30V DC  
Max. Switching Power: 2500VA / 300W  
Contact resistance: 50 mΩ max. Initial  
Insulation resistance: 100 MΩ min. @ 500V DC  
Dielectric withstanding voltage:  
Between Coil & Contact: 1500V AC 50/60Hz for 1 min.  
Between Contacts: 1000V AC 50/60Hz for 1 min.  
Operating time: 10 ms max.  
Release time: 5 ms max.  
Electrical Life: 100,000 Operations (at rated load)

#### MECHANICAL:

Vibration resistance (Endurance): 1.5mm Double Amplitude 10-55Hz  
Shock resistance: 10G min.  
Mechanical Life: 10,000,000 Operations (no load)

#### TEMPERATURE RATING:

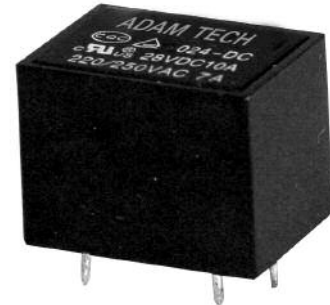
Ambient temperature: -40°C to +85°C

#### PACKAGING:

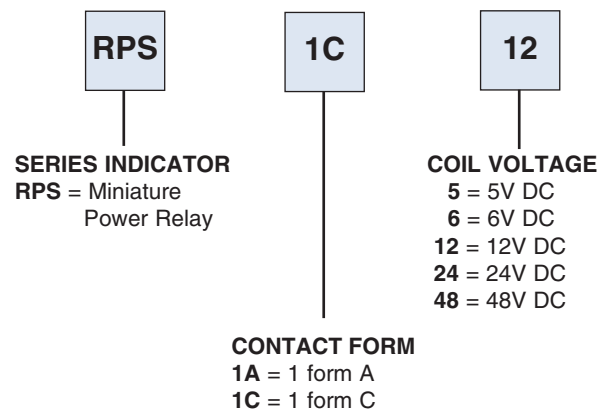
Anti-ESD plastic trays or tubes

#### SAFETY AGENCY APPROVALS:

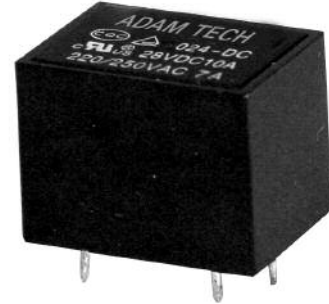
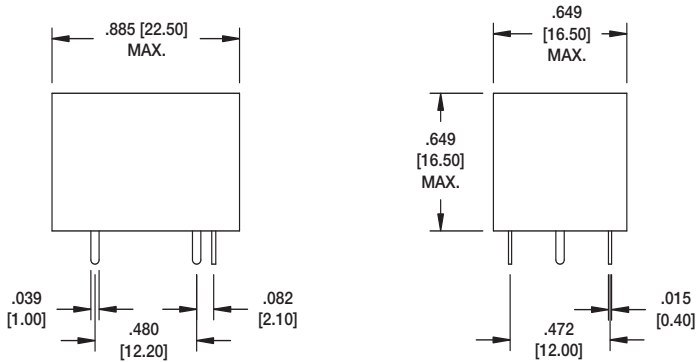
cUL Recognized File No. E305638



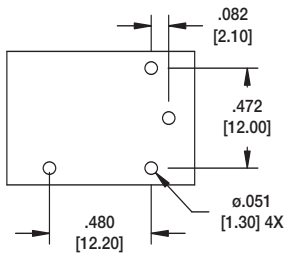
### ORDERING INFORMATION MINIATURE POWER RELAY



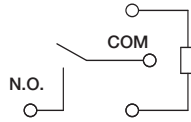
#### RPS-1A-X



RPS-1A-24

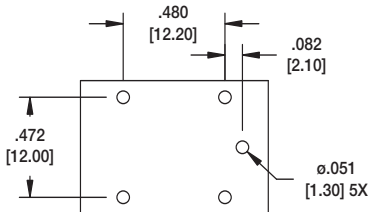


Recommended PCB Layout  
1 Form A

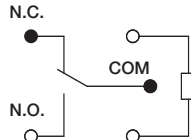


Schematic  
1 Form A

#### RPS-1C-X



Recommended PCB Layout  
1 Form C



Schematic  
1 Form C

| Nominal Voltage<br>V DC | Pick-up Voltage<br>V DC (max.) | Drop-out Voltage<br>V DC (min.) | Nominal Operating Current<br>mA (±10%) | Coil Resistance<br>(±10%) | Nominal Operating Power<br>mW | Max allowable Voltage<br>V DC  |
|-------------------------|--------------------------------|---------------------------------|----------------------------------------|---------------------------|-------------------------------|--------------------------------|
| 5                       | 3.5                            | 0.5                             | 72                                     | 69.4                      | 360                           | 130%V<br>of nominal<br>Voltage |
| 6                       | 4.2                            | 0.6                             | 60                                     | 100                       |                               |                                |
| 12                      | 8.4                            | 1.2                             | 30                                     | 400                       |                               |                                |
| 24                      | 16.8                           | 2.4                             | 15                                     | 1,600                     |                               |                                |
| 48                      | 33.6                           | 4.8                             | 7.5                                    | 6,400                     |                               |                                |

#### INTRODUCTION:

Adam Tech RPM relays are modern PCB mount medium power relays. These small relays can switch loads up to 10 amps. They are available in four different contact formats and are contained in a sealed package, these relays are perfect for applications such as home appliances, office equipment, DVDs, and microwave ovens.

#### FEATURES:

10 Amp Switching capability  
Power consumption of 530mW nominal  
Sealed construction

#### SPECIFICATIONS:

##### ELECTRICAL:

Contact arrangement: 1 Form A, 1 Form C / 2 Form A & 2 Form C  
Contact material: Silver Alloy  
Contact Rating (Resistive load): 10A @ 250V AC  
10A @ 30V DC  
Max. Switching Voltage: 250V AC / 30V DC  
Max. Switching Power: 2500VA / 300W  
Contact resistance: 50 mΩ max. Initial  
Insulation resistance: 1000 MΩ min. @ 500V DC  
Dielectric withstanding voltage:  
Between Coil & Contact: 5000V AC 50/60Hz for 1 min.  
Between Contacts: 1000V AC 50/60Hz for 1 min.  
Operating time: 15 ms max.  
Release time: 10 ms max.  
Electrical Life: 100,000 Operations (at rated load)

##### MECHANICAL:

Vibration resistance (Endurance): 1.5mm Double Amplitude 10-55Hz  
Shock resistance: 10G min.  
Mechanical Life: 10,000,000 Operations (no load)

##### TEMPERATURE RATING:

Ambient temperature: -40°C to +85°C

##### PACKAGING:

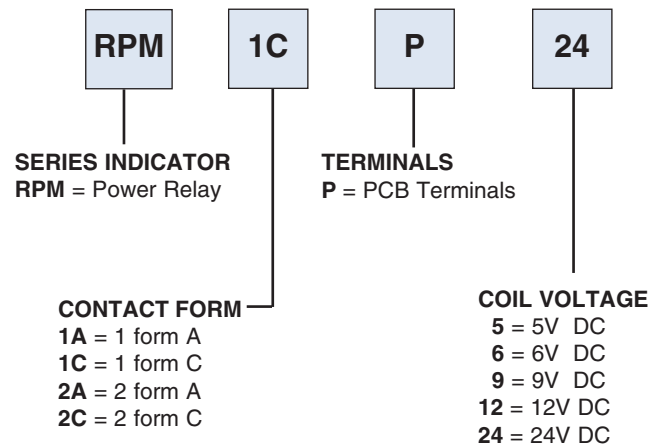
Anti-ESD plastic trays or tubes

##### SAFETY AGENCY APPROVALS:

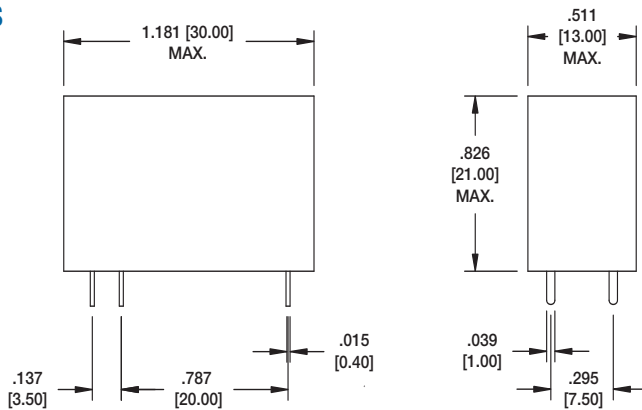
cUL Recognized File No. E305638



### ORDERING INFORMATION POWER RELAY



#### RPM SERIES



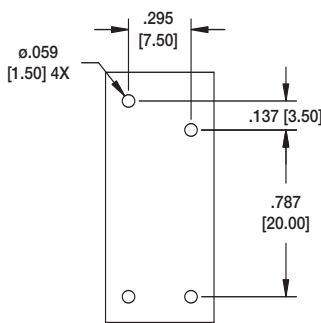
RPM-1A-P-12

#### RPM-1A-P-XX

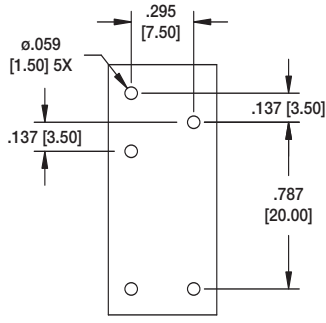
#### RPM-1C-P-XX

#### RPM-2A-P-XX

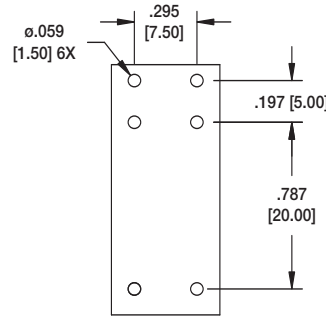
#### RPM-2C-P-XX



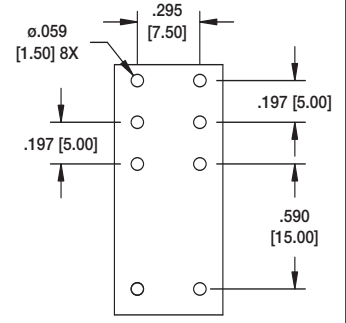
Recommended PCB Layout  
1 Form A



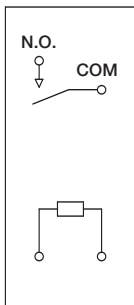
Recommended PCB Layout  
1 Form C



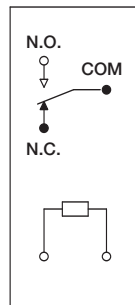
Recommended PCB Layout  
2 Form A



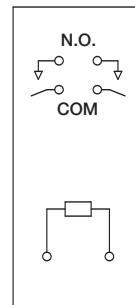
Recommended PCB Layout  
2 Form C



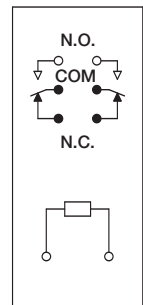
Schematic  
1 Form A



Schematic  
1 Form C



Schematic  
2 Form A



Schematic  
2 Form C

| Nominal Voltage<br>V DC | Pick-up Voltage<br>V DC (max.) | Drop-out Voltage<br>V DC (min.) | Nominal Operating Current<br>mA (±10%) | Coil Resistance<br>(±10%) | Nominal Operating Power<br>mW | Max allowable Voltage<br>V DC         |
|-------------------------|--------------------------------|---------------------------------|----------------------------------------|---------------------------|-------------------------------|---------------------------------------|
| 5                       | 3.5                            | 0.5                             | 106                                    | 47                        | 530                           | 130%V<br>of nominal<br>Voltage @ 60 C |
| 6                       | 4.2                            | 0.6                             | 88                                     | 68                        |                               |                                       |
| 9                       | 6.3                            | 0.9                             | 58                                     | 155                       |                               |                                       |
| 12                      | 8.4                            | 1.2                             | 44                                     | 270                       |                               |                                       |
| 24                      | 16.8                           | 2.4                             | 22                                     | 1,100                     |                               |                                       |
|                         |                                |                                 |                                        |                           |                               | 120%V<br>of nominal<br>Voltage @ 85 C |



### INTRODUCTION:

Adam Tech RG1 relays are small size general purpose relays available in four different contact formats with either AC or DC activated coils. These relays are available with PCB, Solder, or Quick Connect terminals and a Flange Mount cover option. Rated up to 15 amps, they are ideal for applications such as industrial control equipment, office machines, and medical equipment.

### FEATURES:

Contact ratings up to 15 amps  
AC and DC coils available  
Top mount flange option

### SPECIFICATIONS:

#### ELECTRICAL:

Contact arrangements: 1 Form A & 1 Form C / 2 Form A & 2 Form C  
Contact material: Silver Alloy  
Contact Rating (Resistive load): 15A @ 250V AC  
15A @ 30V DC  
Max. Switching Voltage: 250V AC / 30V DC  
Max. Switching Power: 3750VA / 450W  
Contact resistance: 50 mΩ max. Initial  
Insulation resistance: 500 MΩ min. @ 500V DC  
Dielectric withstanding voltage:  
Between Coil & Contact: 2500V AC 50/60Hz for 1 min.  
Between Contacts: 1500V AC 50/60Hz for 1 min.  
Operating time: 25 ms max.  
Release time: 25 ms max.  
Electrical Life: 100,000 Operations (at rated load)

#### MECHANICAL:

Vibration resistance (Endurance): 1.0mm double amplitude 10-55Hz  
Shock resistance: 10G min.  
Mechanical Life: 10,000,000 Operations (no load)

#### TEMPERATURE RATING:

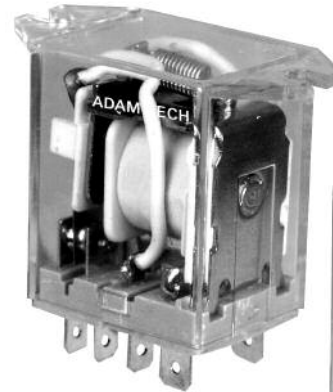
Ambient temperature: -45°C to +85°C

#### PACKAGING:

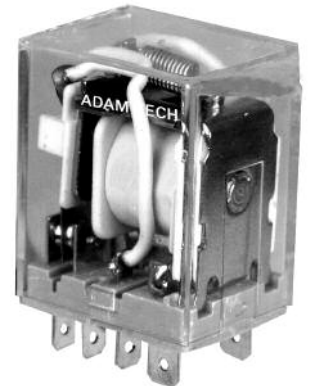
Anti-ESD plastic trays

#### SAFETY AGENCY APPROVALS:

cUL Recognized File No. E305638

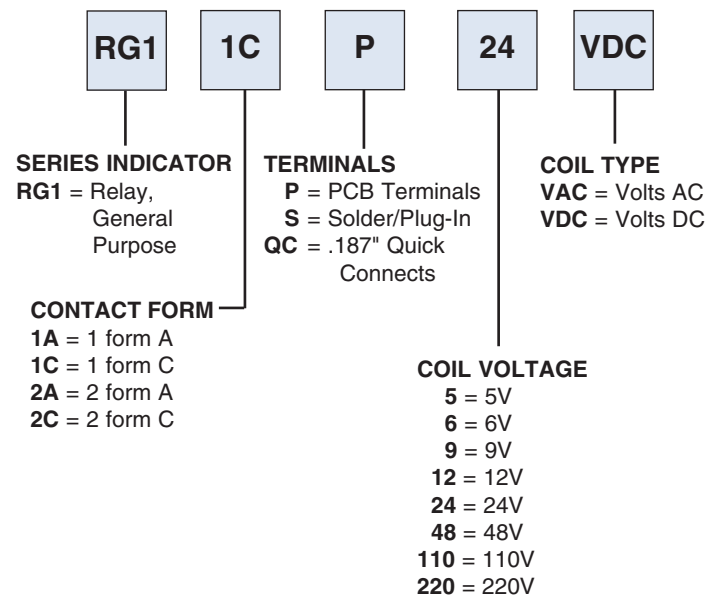


RG1-2C-QC-110VAC-F



RG1-2C-QC-110VAC

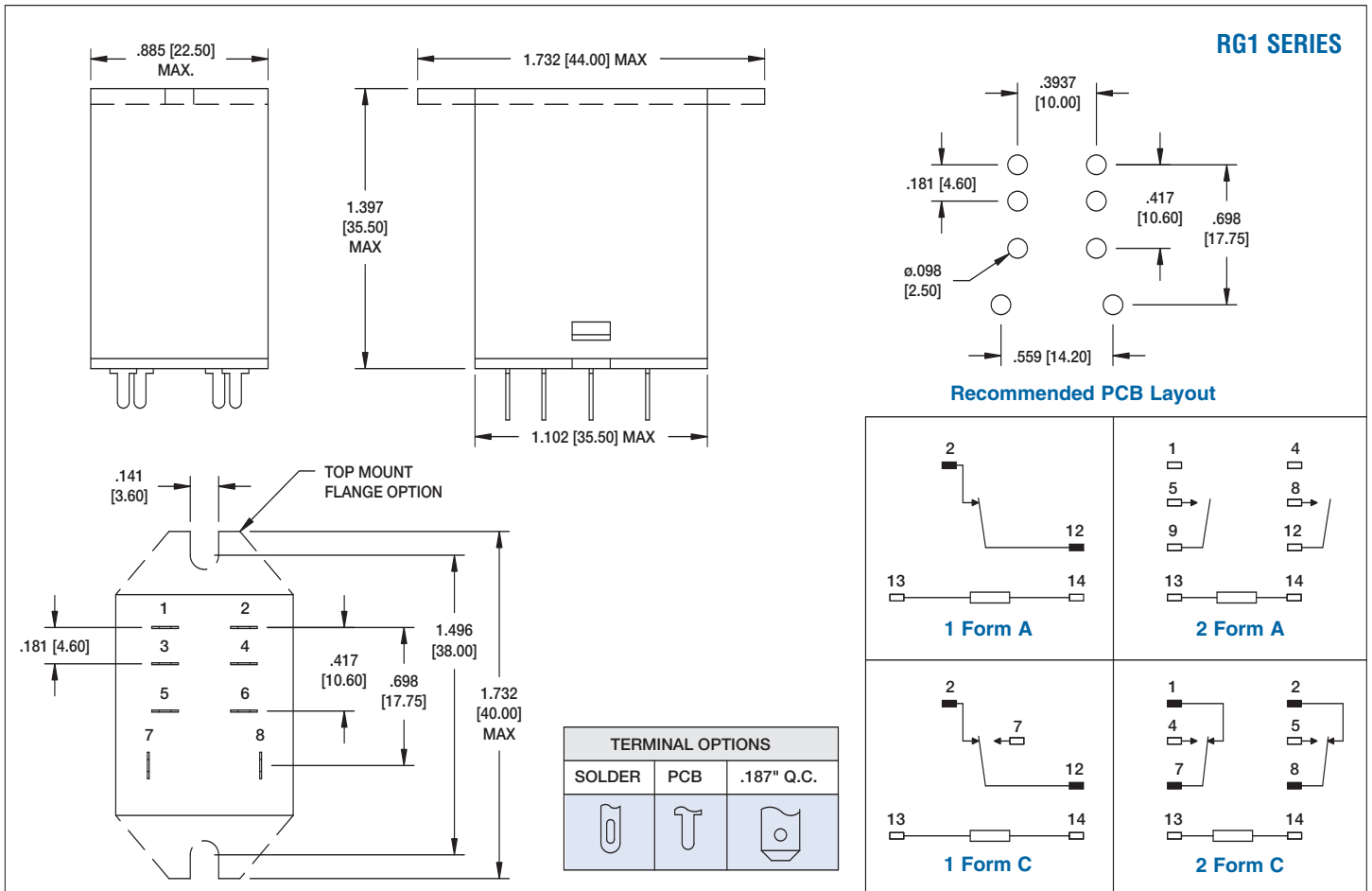
### ORDERING INFORMATION GENERAL PURPOSE RELAY



#### OPTION:

Add designator(s) to end of part number  
F = Top Mount flange

#### RG1 SERIES



#### DC Types @ 20° C

| Nominal Voltage<br>V DC | Pick-up Voltage<br>V DC (max.) | Drop-out Voltage<br>V DC (min.) | Nominal Operating Current<br>mA (±10%) | Coil Resistance<br>(±10%) | Operating Power W |         | Max allowable Voltage<br>V DC |
|-------------------------|--------------------------------|---------------------------------|----------------------------------------|---------------------------|-------------------|---------|-------------------------------|
|                         |                                |                                 |                                        |                           | Nominal           | Minimum |                               |
| 6                       | 4.8                            | 0.6                             | 150                                    | 40                        | 0.9               | 0.58    | 6.6                           |
| 12                      | 9.6                            | 1.2                             | 75                                     | 160                       | 0.9               | 0.58    | 13.2                          |
| 24                      | 19.2                           | 2.4                             | 37                                     | 640                       | 0.9               | 0.58    | 26.4                          |
| 48                      | 38.4                           | 4.8                             | 18.5                                   | 2,560                     | 0.9               | 0.58    | 52.8                          |
| 110/120                 | 88                             | 11                              | 10                                     | 13,400                    | 0.9               | 0.58    | 121                           |

#### AC Types (50/60 Hz) @ 60 Hz, 20° C

| Nominal Voltage<br>V AC | Pick-up Voltage<br>V DC (max.) | Drop-out Voltage<br>V DC (min.) | Nominal Operating Current<br>mA (±10%) | Coil Resistance<br>(±10%) | Operating Power<br>VA                  | Max allowable Voltage<br>V DC |
|-------------------------|--------------------------------|---------------------------------|----------------------------------------|---------------------------|----------------------------------------|-------------------------------|
| 6                       | 4.8                            | 1.2                             | 220                                    | 10                        | Nominal<br>1.20<br><br>Minimum<br>0.77 | 6.6                           |
| 12                      | 9.6                            | 2.4                             | 110                                    | 40                        |                                        | 13.2                          |
| 24                      | 19.2                           | 4.8                             | 60                                     | 160                       | Minimum<br>0.77                        | 26.4                          |
| 48                      | 38.4                           | 9.6                             | 30                                     | 650                       |                                        | 52.8                          |
| 110/120                 | 88                             | 22                              | 13.5 / 14.5                            | 3,400                     |                                        | 132                           |
| 220/240                 | 176                            | 44                              | 6.0 / 6.5                              | 1,360                     |                                        | 264                           |

**INTRODUCTION:**

Adam Tech RG2 Relays are small general purpose relays available in eight different contact formats with either AC or DC coils and are available with PCB or Solder terminals. These relays are ideal for applications such as industrial control equipment, office machines, and medical equipment

**FEATURES:**

Contact ratings up to 7 amps  
AC and DC coils available  
PCB & Solder Plug-in terminals

**SPECIFICATIONS:**

**ELECTRICAL:**

Contact arrangement: 1 to 4 Pole, Form A & C  
Contact material: Silver Alloy  
Contact Rating (Resistive load):  
1, 2 & 3 Pole: 7A @ 250V AC  
7A @ 30V DC  
4 Pole: 5A @ 250V AC  
5A @ 30V DC  
Max. Switching Voltage: 250V AC / 30V DC  
Max. Switching Power: 1540VA, 210W  
Contact resistance: 100 mΩ max. Initial  
Insulation resistance: 1000 MΩ min. @ 500V DC  
Dielectric withstanding voltage:  
Between Coil & Contact: 1500V AC 50/60Hz for 1 min.  
Between Contacts: 1000V AC 50/60Hz for 1 min.  
Operating time: 25 ms max.  
Release time: 25 ms max.  
Electrical Life: 100,000 Operations (at rated load)

**MECHANICAL:**

Vibration resistance (Endurance): 1.0mm Double Amplitude 10-55Hz  
Shock resistance: 10G min.  
Mechanical Life: 10,000,000 Operations (no load)

**TEMPERATURE RATING:**

Ambient temperature: -45°C to +85°C

**PACKAGING:**

Anti-ESD plastic trays

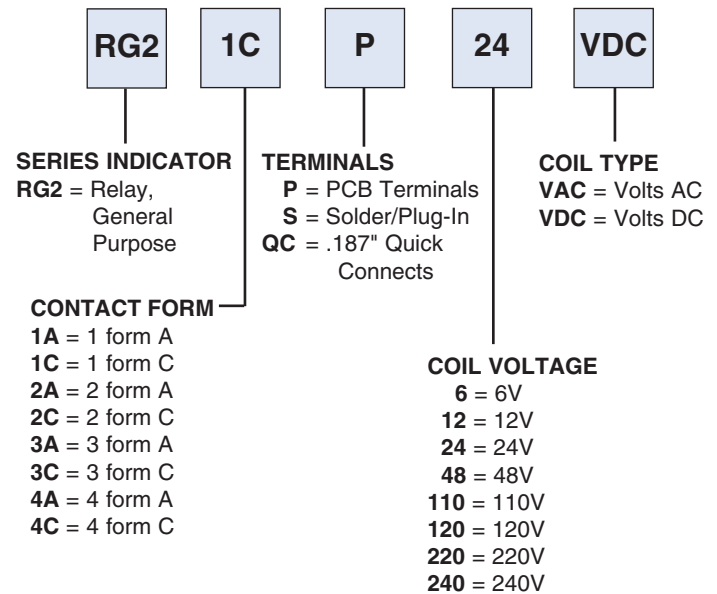
**SAFETY AGENCY APPROVALS:**

cUL Recognized File No. E305638



RG2-2C-S-24VDC

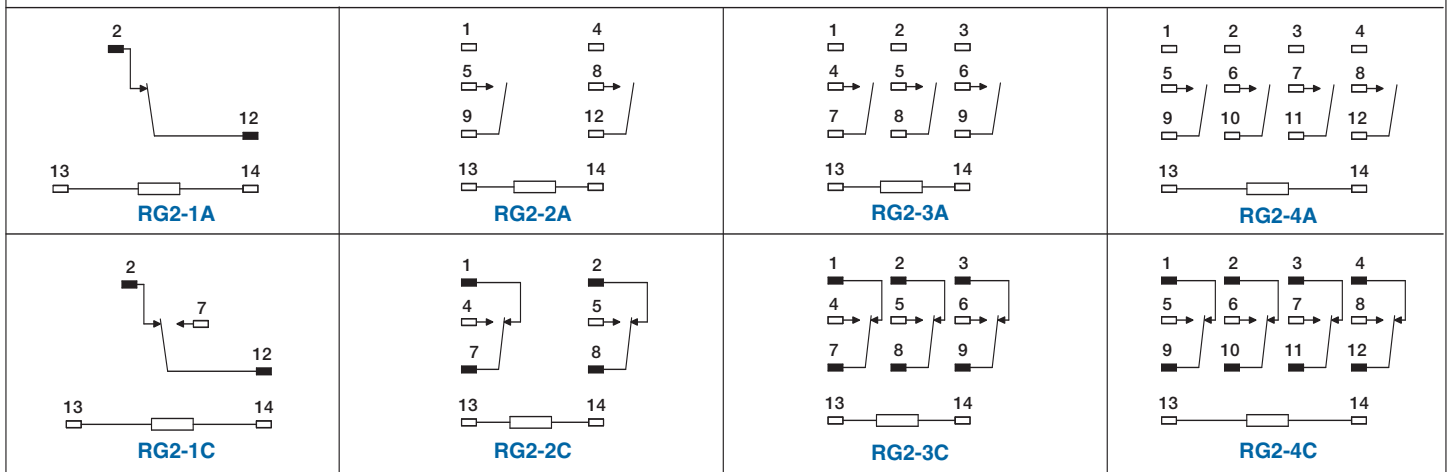
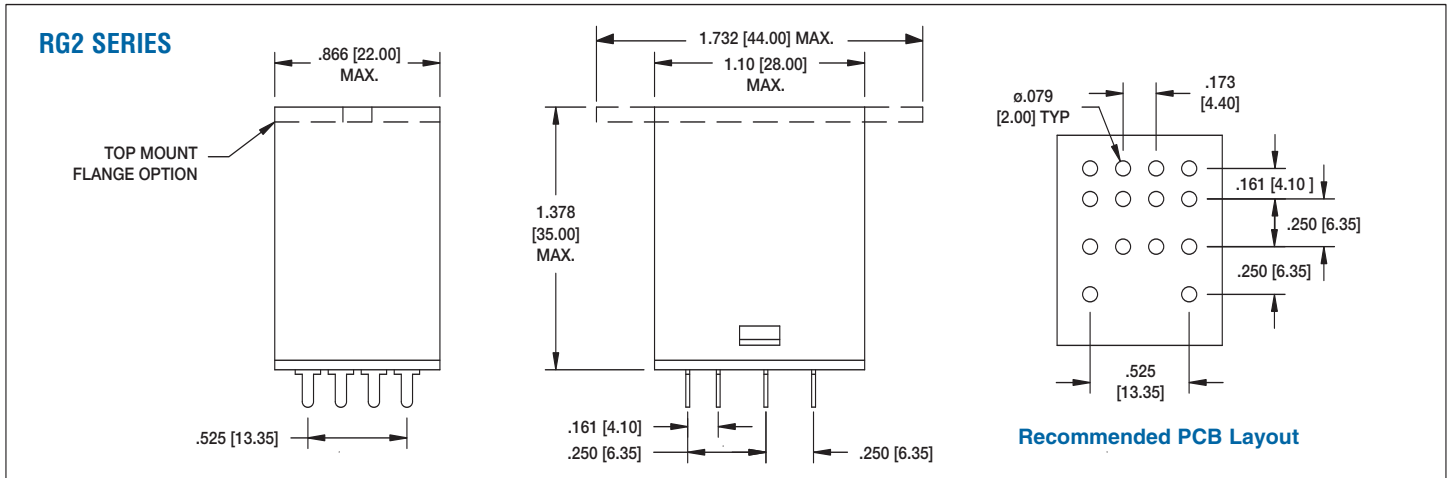
**ORDERING INFORMATION**  
GENERAL PURPOSE RELAY



**OPTION:**

Add designator(s) to end of part number  
F = Top Mount flange





#### DC Types @ 20C

| Nominal Voltage<br>V DC | Pick-up Voltage<br>V DC (max.) | Drop-out Voltage<br>V DC (min.) | Nominal Operating Current<br>mA (±10%) | Coil Resistance<br>(±10%) | Operating Power W |         | Max allowable Voltage<br>V DC |
|-------------------------|--------------------------------|---------------------------------|----------------------------------------|---------------------------|-------------------|---------|-------------------------------|
|                         |                                |                                 |                                        |                           | Nominal           | Minimum |                               |
| 6                       | 4.8                            | 0.6                             | 150                                    | 40                        | 0.9               | 0.58    | 6.6                           |
| 12                      | 9.6                            | 1.2                             | 75                                     | 160                       | 0.9               | 0.58    | 13.2                          |
| 24                      | 19.2                           | 2.4                             | 37                                     | 640                       | 0.9               | 0.58    | 26.4                          |
| 48                      | 38.4                           | 4.8                             | 19                                     | 2560                      | 0.9               | 0.58    | 52.8                          |
| 110/120                 | 88                             | 11                              | 8.2                                    | 13,400                    | 1.0               | 0.64    | 132                           |

#### AC Types (50/60 Hz) @ 60 Hz, 20C

| Nominal Voltage<br>V AC | Pick-up Voltage<br>V DC (max.) | Drop-out Voltage<br>V DC (min.) | Nominal Operating Current<br>mA (±10%) | Coil Resistance<br>(±10%) | Operating Power<br>VA                  | Max allowable Voltage<br>V DC |
|-------------------------|--------------------------------|---------------------------------|----------------------------------------|---------------------------|----------------------------------------|-------------------------------|
| 6                       | 4.8                            | 1.2                             | 200                                    | 10                        | Nominal<br>1.20<br><br>Minimum<br>0.77 | 6.6                           |
| 12                      | 9.6                            | 2.4                             | 100                                    | 40                        |                                        | 13.2                          |
| 24                      | 19.2                           | 4.8                             | 60                                     | 160                       |                                        | 26.4                          |
| 48                      | 38.4                           | 9.6                             | 30                                     | 650                       |                                        | 52.8                          |
| 110/120                 | 96                             | 22                              | 13.5 / 14.5                            | 3400                      |                                        | 132                           |
| 220/240                 | 176                            | 44                              | 6.0 / 6.5                              | 1360                      |                                        | 264                           |

### INTRODUCTION:

Adam Tech RPL relays are high power, modern relays, available in industry standard packages and can switch loads up to 30 amps. Available in both a PCB package and a combination PCB/Quick Connect terminal package, these relays are designed for applications such as Spa/Pool controls, HVAC, and large appliances.

### FEATURES:

30 Amp Switching capability  
PCB and PCB/Top mount packages  
Industry Standard footprint

### SPECIFICATIONS:

#### ELECTRICAL:

Contact arrangement: 1 Form A & 1 Form C  
Contact material: Silver Alloy  
Contact Rating (Resistive load): 30A @ 220V AC  
30A @ 30V DC  
Max. Switching Voltage: 220V AC / 30V DC  
Max. Switching Power: 6600VA / 900W  
Contact resistance: 50 mΩ max. Initial  
Insulation resistance: 100 MΩ min. @ 500V DC  
Dielectric withstanding voltage:  
Between Coil & Contact: 2500V AC 50/60Hz for 1 min.  
Between Contacts: 1500V AC 50/60Hz for 1 min.  
Operating time: 15 ms max.  
Release time: 10 ms max.  
Electrical Life: 100,000 Operations (at rated load)

#### MECHANICAL:

Vibration resistance (Endurance): 1.5mm Double Amplitude 10-55Hz  
Shock resistance: 10G min.  
Mechanical Life: 10,000,000 Operations (no load)

#### TEMPERATURE RATING:

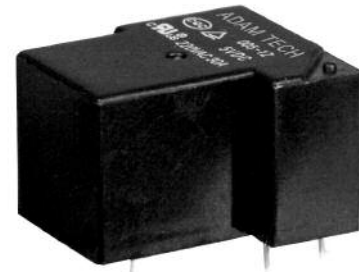
Ambient temperature: -55°C to +85°C

#### PACKAGING:

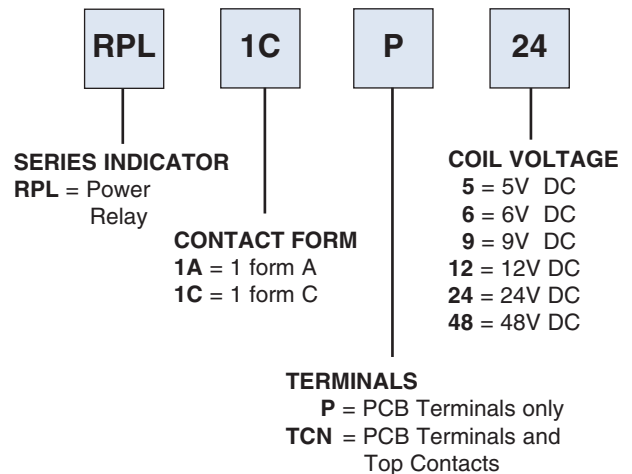
Anti-ESD plastic trays

#### SAFETY AGENCY APPROVALS:

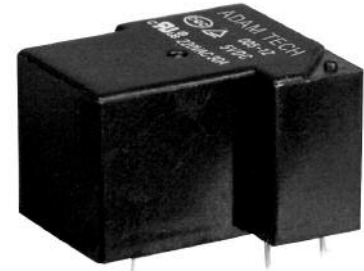
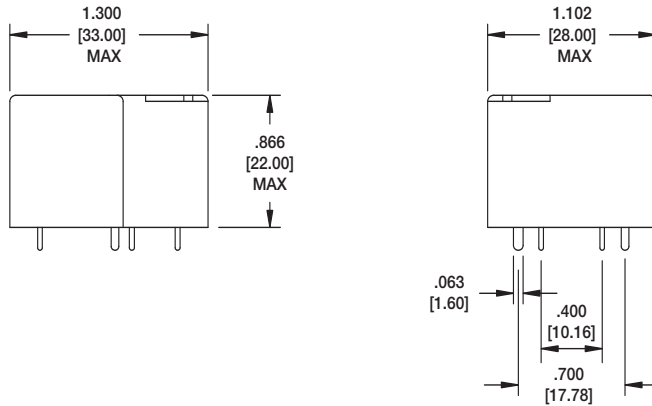
cUL Recognized File No. E305638



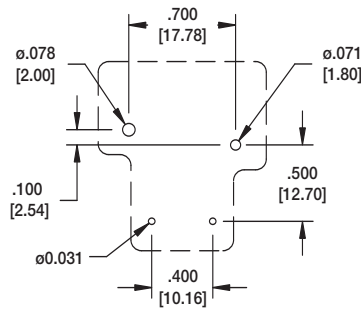
### ORDERING INFORMATION POWER RELAY



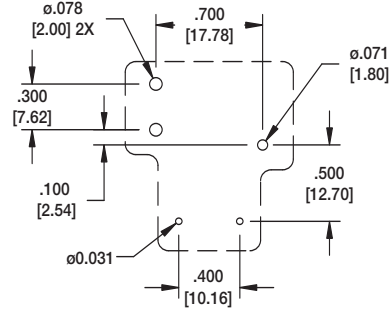
#### RPL SERIES



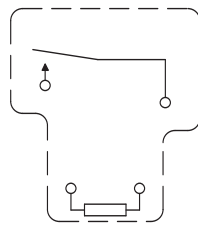
RPL-1C-P-12



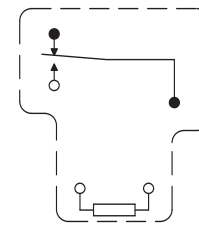
Recommended PCB Layout  
1 Form A



Recommended PCB Layout  
1 Form C

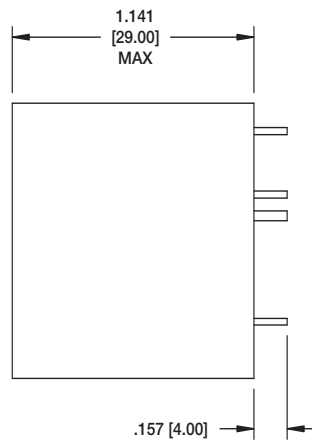
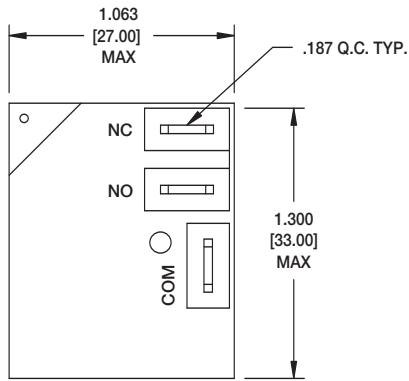


Schematic  
1 Form A



Schematic  
1 Form C

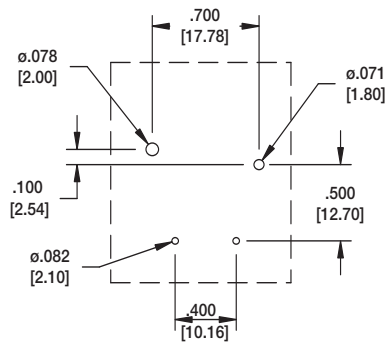
| Nominal Voltage<br>V DC | Pick-up Voltage<br>V DC (max.) | Drop-out Voltage<br>V DC (min.) | Coil Resistance<br>(±10%) | Nominal Operating Power<br>mW | Max allowable Voltage<br>V DC |
|-------------------------|--------------------------------|---------------------------------|---------------------------|-------------------------------|-------------------------------|
| 5                       | 3.75                           | 0.5                             | 31                        | 900                           | 6                             |
| 6                       | 4.5                            | 0.6                             | 40                        | 900                           | 6.6                           |
| 9                       | 6.75                           | 0.9                             | 101                       | 900                           | 10.8                          |
| 12                      | 9.0                            | 1.2                             | 160                       | 900                           | 13.2                          |
| 24                      | 18.0                           | 2.4                             | 640                       | 900                           | 26.4                          |
| 48                      | 36.0                           | 4.8                             | 2,560                     | 900                           | 52.8                          |



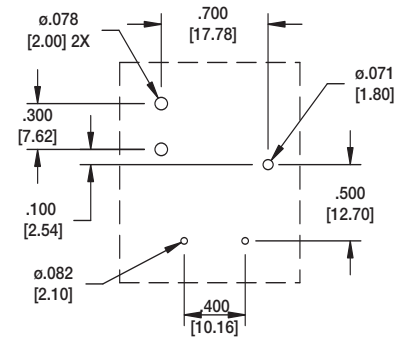
RPL SERIES (TOP CONTACTS)



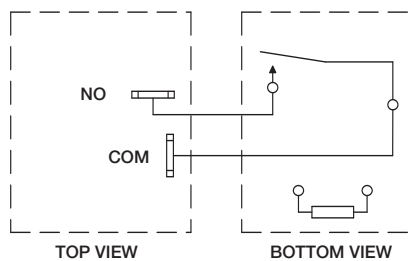
RPL-1C-TCN-12



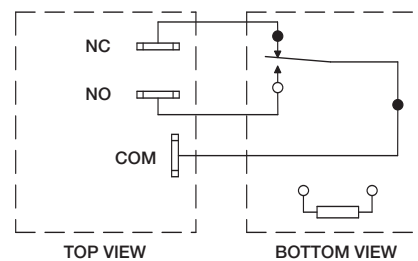
Recommended PCB Layout  
1 Form A



Recommended PCB Layout  
1 Form C



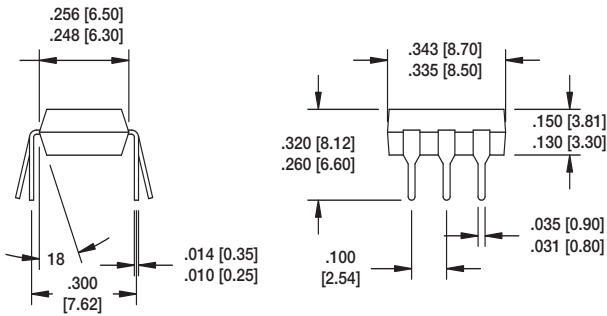
Schematic  
1 Form A



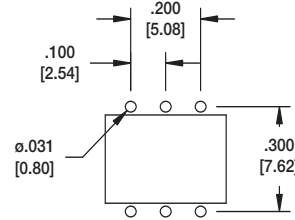
Schematic  
1 Form C

| Nominal Voltage<br>V DC | Pick-up Voltage<br>V DC (max.) | Drop-out Voltage<br>V DC (min.) | Coil Resistance<br>(±10%) | Nominal Operating Power<br>mW | Max allowable Voltage<br>V DC |
|-------------------------|--------------------------------|---------------------------------|---------------------------|-------------------------------|-------------------------------|
| 5                       | 3.75                           | 0.5                             | 31                        | 900                           | 6                             |
| 6                       | 4.5                            | 0.6                             | 40                        | 900                           | 6.6                           |
| 9                       | 6.75                           | 0.9                             | 101                       | 900                           | 10.8                          |
| 12                      | 9                              | 1.2                             | 160                       | 900                           | 13.2                          |
| 24                      | 18                             | 2.4                             | 640                       | 900                           | 26.4                          |
| 48                      | 36                             | 4.8                             | 2,560                     | 900                           | 52.8                          |

### SSR1 SERIES SOLID STATE RELAY 6 Pin DIP



SSR1A-350-120-35-6T



Recommended PCB Layout

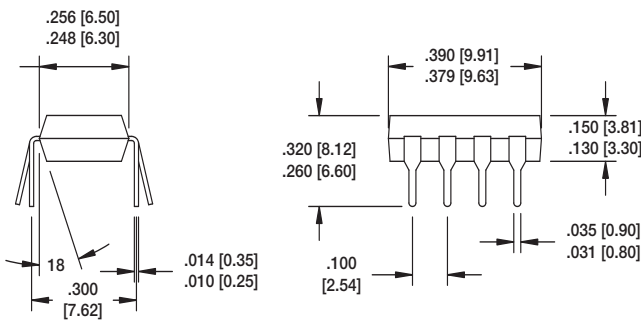
### INTRODUCTION:

Adam Tech's Solid State MOSFET controlled relays deliver fast, reliable, bounce free switching in small packages. The LED input with MOSFET output is ideal for applications requiring low power input to control larger loads while providing extremely high isolation. They are ideal to replace reed relays in applications susceptible to EMI or vibration while offering the reliability of a Solid State design with extended life. Comprised of two components in one package this product allows designers to condense PCB space.

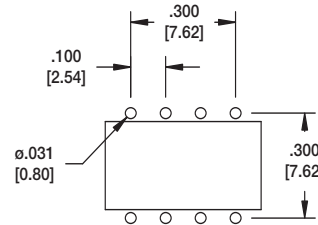
### FEATURES:

This series is offered in both 6 & 8 in DIP packages. Typical applications are data communications equipment, computers, security devices, medical equipment and instrumentation.

### SSR1 & SSR2 SERIES SOLID STATE RELAY 8 Pin DIP



SSR2A-350-120-25-8T



Recommended PCB Layout

| SOLID STATE RELAY PART NO. | Load Volts (V) | Load Current (mA) | On Resistance (Ohms) | Isolation (Vrms) | Input Current (mA) | Off State Leakage (mA) | Time On (m sec.) | Time Off (m sec.) | Dip Package |
|----------------------------|----------------|-------------------|----------------------|------------------|--------------------|------------------------|------------------|-------------------|-------------|
|----------------------------|----------------|-------------------|----------------------|------------------|--------------------|------------------------|------------------|-------------------|-------------|

#### Contact Form 1a

|                     |     |     |    |       |   |   |   |   |       |
|---------------------|-----|-----|----|-------|---|---|---|---|-------|
| SSR1A-250-170-15-6T | 250 | 170 | 15 | 3,750 | 5 | 1 | 5 | 5 | 6 Pin |
| SSR1A-250-200-10-6T | 250 | 200 | 10 | 3,750 | 5 | 1 | 5 | 5 | 6 Pin |
| SSR1A-350-120-15-6T | 250 | 120 | 25 | 3,750 | 5 | 1 | 5 | 5 | 6 Pin |
| SSR1A-350-120-35-6T | 250 | 120 | 35 | 3,750 | 2 | 1 | 3 | 3 | 6 Pin |
| SSR1A-350-170-16-6T | 250 | 170 | 16 | 3,750 | 5 | 1 | 5 | 5 | 6 Pin |
| SSR1A-350-170-20-6T | 250 | 170 | 20 | 3,750 | 5 | 1 | 5 | 5 | 6 Pin |

#### Contact Form 1b

|                     |     |     |    |       |   |   |   |   |       |
|---------------------|-----|-----|----|-------|---|---|---|---|-------|
| SSR1B-350-120-35-6T | 350 | 120 | 35 | 3,750 | 5 | 1 | 3 | 3 | 6 Pin |
|---------------------|-----|-----|----|-------|---|---|---|---|-------|

#### Contact Form 2a

|                     |     |     |    |       |   |   |   |   |       |
|---------------------|-----|-----|----|-------|---|---|---|---|-------|
| SSR2A-250-170-15-8T | 250 | 170 | 15 | 3,750 | 5 | 1 | 5 | 5 | 8 Pin |
| SSR2A-350-120-25-8T | 350 | 120 | 25 | 3,750 | 5 | 1 | 5 | 5 | 8 Pin |

#### Contact Form 1a1b

|                       |     |     |    |       |   |   |   |   |       |
|-----------------------|-----|-----|----|-------|---|---|---|---|-------|
| SSR1A1B-250-150-20-8T | 250 | 150 | 20 | 3,750 | 5 | 1 | 5 | 5 | 8 Pin |
| SSR1A1B-350-120-25-8T | 350 | 120 | 25 | 2,500 | 5 | 1 | 1 | 1 | 8 Pin |
| SSR1A1B-350-120-35-8T | 350 | 120 | 35 | 3,750 | 5 | 1 | 5 | 5 | 8 Pin |