

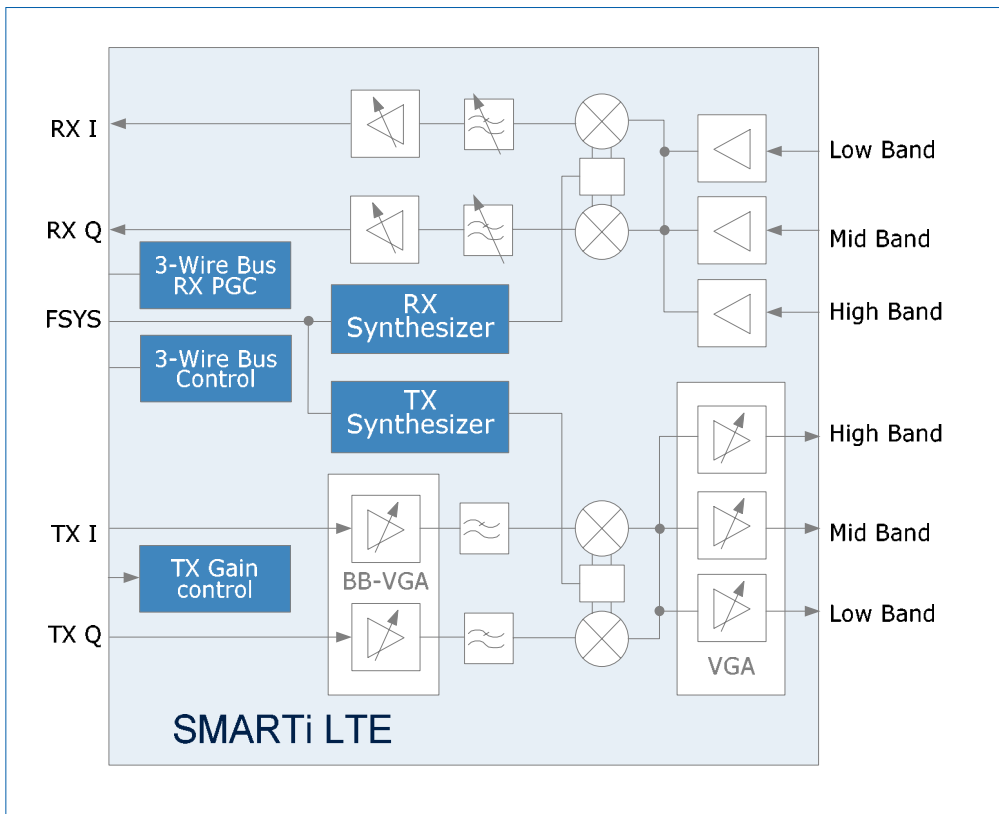
SMARTi LTE Transceiver IC



Never stop thinking

SMARTi LTE

Multi-Band/Single-Chip LTE Transceiver



Features

- Single-chip transceiver for LTE
- Supporting *Band I* through *IX*
- RF bandwidth of 5, 10 and 20 MHz
- Support for 64QAM Modulation scheme
- Flexible baseband interface with standard I/Q lines
- 130nm RF CMOS process
- 5.0 by 5.0 mm² WFSGA package
- Availability: Engineering Samples

Customer Benefit

- Time to market advantage: early silicon availability to support first field trials
- Multi-band support
- Same silicon to test different RF Bandwidth requirements



SMARTi LTE Frequency band support



One silicon covering the different regional requirements worldwide

3GPP Band	Industry Name	TX Band [MHz]	RX Band [MHz]	Region
Band I	2100 MHz	1920-1980	2110-2170	Europe/Asia/Japan
Band II	1900 MHz	1850-1910	1930-1990	North America, Latin America
Band III	1800 MHz	1710-1785	1805-1880	Japan
Band IV	1.7/2.1 GHz	1710-1755	2110-2155	North America, Latin America
Band V	UMTS850	824-849	869-894	North America, Latin America
Band VI	UMTS800	830-840	875-885	Japan
Band VII	2.5 GHz	2500 - 2570	2620 - 2690	Europe
Band VIII	EGSM900	880-915	925-960	Europe / Latin America
Band IX	UMTS 1700	1750-1785	1845-1880	Japan



We commit.
We innovate.
We partner.
We create value.



Never stop thinking