

# MC34060A MC33060A

## Precision SWITCHMODE™ Pulse Width Modulator Control Circuit

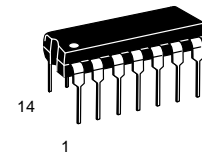
The MC34060A is a low cost fixed frequency, pulse width modulation control circuit designed primarily for single-ended SWITCHMODE power supply control.

The MC34060A is specified over the commercial operating temperature range of 0° to +70°C, and the MC33060A is specified over an automotive temperature range of -40° to +85°C.

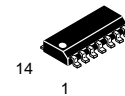
- Complete Pulse Width Modulation Control Circuitry
- On-Chip Oscillator with Master or Slave Operation
- On-Chip Error Amplifiers
- On-Chip 5.0 V Reference, 1.5% Accuracy
- Adjustable Dead-Time Control
- Uncommitted Output Transistor Rated to 200 mA Source or Sink
- Undervoltage Lockout

### PRECISION SWITCHMODE PULSE WIDTH MODULATOR CONTROL CIRCUIT

#### SEMICONDUCTOR TECHNICAL DATA

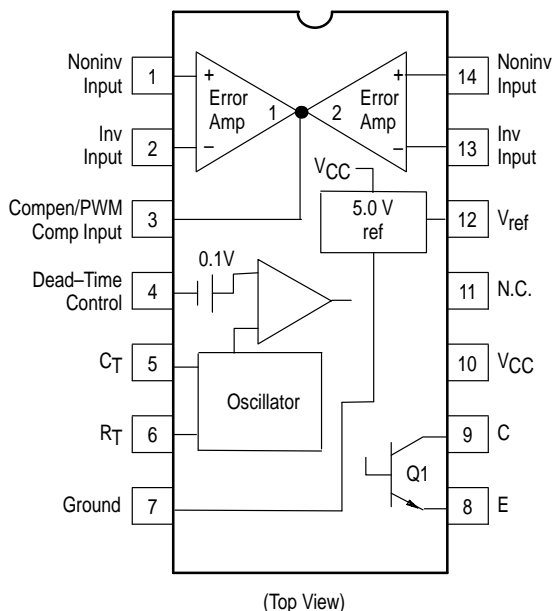


**P SUFFIX**  
PLASTIC PACKAGE  
CASE 646



**D SUFFIX**  
PLASTIC PACKAGE  
CASE 751A  
(SO-14)

#### PIN CONNECTIONS



#### ORDERING INFORMATION

Device	Operating Temperature Range	Package
MC34060AD	$T_A = 0^\circ \text{ to } +70^\circ \text{C}$	SO-14
MC34060AP		Plastic DIP
MC33060AD	$T_A = -40^\circ \text{ to } +85^\circ \text{C}$	SO-14
MC33060AP		Plastic DIP

# MC34060A MC33060A

**MAXIMUM RATINGS** (Full operating ambient temperature range applies, unless otherwise noted.)

Rating	Symbol	Value	Unit
Power Supply Voltage	$V_{CC}$	42	V
Collector Output Voltage	$V_C$	42	V
Collector Output Current (Note 1)	$I_C$	500	mA
Amplifier Input Voltage Range	$V_{in}$	-0.3 to +42	V
Power Dissipation @ $T_A \leq 45^\circ\text{C}$	$P_D$	1000	mW
Operating Junction Temperature	$T_J$	125	$^\circ\text{C}$
Storage Temperature Range	$T_{stg}$	-55 to +125	$^\circ\text{C}$
Operating Ambient Temperature Range For MC34060A For MC33060A	$T_A$	0 to +70 -40 to +85	$^\circ\text{C}$

**NOTES:** 1. Maximum thermal limits must be observed.

## THERMAL CHARACTERISTICS

Characteristics	Symbol	P Suffix Package	D Suffix Package	Unit
Thermal Resistance, Junction-to-Ambient	$R_{\theta JA}$	80	120	$^\circ\text{C}/\text{W}$
Derating Ambient Temperature	$T_A$	45	45	$^\circ\text{C}$

## RECOMMENDED OPERATING CONDITIONS

Condition/Value	Symbol	Min	Typ	Max	Unit
Power Supply Voltage	$V_{CC}$	7.0	15	40	V
Collector Output Voltage	$V_C$	-	30	40	V
Collector Output Current	$I_C$	-	-	200	mA
Amplifier Input Voltage	$V_{in}$	-0.3	-	$V_{CC} - 2$	V
Current Into Feedback Terminal	$I_{fb}$	-	-	0.3	mA
Reference Output Current	$I_{ref}$	-	-	10	mA
Timing Resistor	$R_T$	1.8	47	500	$k\Omega$
Timing Capacitor	$C_T$	0.00047	0.001	10	$\mu\text{F}$
Oscillator Frequency	$f_{osc}$	1.0	25	200	kHz
PWM Input Voltage (Pins 3 and 4)	-	-0.3	-	5.3	V

**ELECTRICAL CHARACTERISTICS** ( $V_{CC} = 15\text{ V}$ ,  $C_T = 0.01\ \mu\text{F}$ ,  $R_T = 12\ k\Omega$ , unless otherwise noted. For typical values  $T_A = 25^\circ\text{C}$ , for min/max values  $T_A$  is the operating ambient temperature range that applies, unless otherwise noted.)

Characteristics	Symbol	Min	Typ	Max	Unit
-----------------	--------	-----	-----	-----	------

## REFERENCE SECTION

Reference Voltage ( $I_O = 1.0\ \text{mA}$ , $T_A = 25^\circ\text{C}$ ) $T_A = T_{low}$ to $T_{high}$ - MC34060A - MC33060A	$V_{ref}$	4.925 4.9 4.85	5.0 - -	5.075 5.1 5.1	V
Line Regulation ( $V_{CC} = 7.0\ \text{V}$ to $40\ \text{V}$ , $I_O = 10\ \text{mA}$ )	$Reg_{line}$	-	2.0	25	mV
Load Regulation ( $I_O = 1.0\ \text{mA}$ to $10\ \text{mA}$ )	$Reg_{load}$	-	2.0	15	mV
Short Circuit Output Current ( $V_{ref} = 0\ \text{V}$ )	$I_{SC}$	15	35	75	mA

## MC34060A MC33060A

**ELECTRICAL CHARACTERISTICS** ( $V_{CC} = 15\text{ V}$ ,  $C_T = 0.01\ \mu\text{F}$ ,  $R_T = 12\ \text{k}\Omega$ , unless otherwise noted. For typical values  $T_A = 25^\circ\text{C}$ , for min/max values  $T_A$  is the operating ambient temperature range that applies, unless otherwise noted.)

Characteristics	Symbol	Min	Typ	Max	Unit
<b>OUTPUT SECTION</b>					
Collector Off-State Current ( $V_{CC} = 40\text{ V}$ , $V_{CE} = 40\text{ V}$ )	$I_{C(off)}$	–	2.0	100	$\mu\text{A}$
Emitter Off-State Current ( $V_{CC} = 40\text{ V}$ , $V_{CE} = 40\text{ V}$ , $V_E = 0\text{ V}$ )	$I_{E(off)}$	–	–	–100	$\mu\text{A}$
Collector–Emitter Saturation Voltage (Note 2) Common–Emitter ( $V_E = 0\text{ V}$ , $I_C = 200\text{ mA}$ ) Emitter–Follower ( $V_C = 15\text{ V}$ , $I_E = -200\text{ mA}$ )	$V_{sat(C)}$  $V_{sat(E)}$	–	1.1  1.5	1.5  2.5	V
Output Voltage Rise Time ( $T_A = 25^\circ\text{C}$ ) Common–Emitter (See Figure 12) Emitter–Follower (See Figure 13)	$t_r$	– –	100 100	200 200	ns
Output Voltage Fall Time ( $T_A = 25^\circ\text{C}$ ) Common–Emitter (See Figure 12) Emitter–Follower (See Figure 13)	$t_f$	– –	40 40	100 100	ns
<b>ERROR AMPLIFIER SECTION</b>					
Input Offset Voltage ( $V_{O[Pin\ 3]} = 2.5\text{ V}$ )	$V_{IO}$	–	2.0	10	mV
Input Offset Current ( $V_{C[Pin\ 3]} = 2.5\text{ V}$ )	$I_{IO}$	–	5.0	250	nA
Input Bias current ( $V_{O[Pin\ 3]} = 2.5\text{ V}$ )	$I_{IB}$	–	–0.1	–2.0	$\mu\text{A}$
Input Common Mode Voltage Range ( $V_{CC} = 40\text{ V}$ )	$V_{ICR}$	0 to $V_{CC} - 2.0$	–	–	V
Inverting Input Voltage Range	$V_{IR(INV)}$	–0.3 to $V_{CC} - 2.0$	–	–	V
Open–Loop Voltage Gain ( $\Delta V_O = 3.0\text{ V}$ , $V_O = 0.5\text{ V}$ to $3.5\text{ V}$ , $R_L = 2.0\ \text{k}\Omega$ )	$A_{VOL}$	70	95	–	dB
Unity–Gain Crossover Frequency ( $V_O = 0.5\text{ V}$ to $3.5\text{ V}$ , $R_L = 2.0\ \text{k}\Omega$ )	$f_c$	–	600	–	kHz
Phase Margin at Unity–Gain ( $V_O = 0.5\text{ V}$ to $3.5\text{ V}$ , $R_L = 2.0\ \text{k}\Omega$ )	$\phi_m$	–	65	–	deg.
Common Mode Rejection Ratio ( $V_{CC} = 40\text{ V}$ , $V_{in} = 0\text{ V}$ to $38\text{ V}$ )	CMRR	65	90	–	dB
Power Supply Rejection Ratio ( $\Delta V_{CC} = 33\text{ V}$ , $V_O = 2.5\text{ V}$ , $R_L = 2.0\ \text{k}\Omega$ )	PSRR	–	100	–	dB
Output Sink Current ( $V_{O[Pin\ 3]} = 0.7\text{ V}$ )	$I_{O-}$	0.3	0.7	–	mA
Output Source Current ( $V_{O[Pin\ 3]} = 3.5\text{ V}$ )	$I_{O+}$	–2.0	–4.0	–	mA

**NOTES:** 2. Low duty cycle techniques are used during test to maintain junction temperature as close to ambient temperatures as possible.

$T_{low} = -40^\circ\text{C}$  for MC33060A  
=  $0^\circ\text{C}$  for MC34060A

$T_{high} = +85^\circ\text{C}$  for MC33060A  
=  $+70^\circ\text{C}$  for MC34060A

# MC34060A MC33060A

**ELECTRICAL CHARACTERISTICS** ( $V_{CC} = 15\text{ V}$ ,  $C_T = 0.01\ \mu\text{F}$ ,  $R_T = 12\ \text{k}\Omega$ , unless otherwise noted. For typical values  $T_A = 25^\circ\text{C}$ , for min/max values  $T_A$  is the operating ambient temperature range that applies, unless otherwise noted.)

Characteristics	Symbol	Min	Typ	Max	Unit
-----------------	--------	-----	-----	-----	------

## PWM COMPARATOR SECTION (Test circuit Figure 11)

Input Threshold Voltage (Zero Duty Cycle)	$V_{TH}$	–	3.5	4.5	V
Input Sink Current ( $V_{[Pin\ 3]} = 0.7\ \text{V}$ )	$I_I$	0.3	0.7	–	mA

## DEAD-TIME CONTROL SECTION (Test circuit Figure 11)

Input Bias Current (Pin 4) ( $V_{in} = 0\ \text{V}$ to $5.25\ \text{V}$ )	$I_{B(DT)}$	–	–1.0	–10	$\mu\text{A}$
Maximum Output Duty Cycle ( $V_{in} = 0\ \text{V}$ , $C_T = 0.01\ \mu\text{F}$ , $R_T = 12\ \text{k}\Omega$ ) ( $V_{in} = 0\ \text{V}$ , $C_T = 0.001\ \mu\text{F}$ , $R_T = 47\ \text{k}\Omega$ )	$DC_{max}$	90 –	96 92	100 –	%
Input Threshold Voltage (Pin 4) (Zero Duty Cycle) (Maximum Duty Cycle)	$V_{TH}$	– 0	2.8 –	3.3 –	V

## OSCILLATOR SECTION

Frequency ( $C_T = 0.01\ \mu\text{F}$ , $R_T = 12\ \text{k}\Omega$ , $T_A = 25^\circ\text{C}$ ) $T_A = T_{low}$ to $T_{high}$ – MC34060A – MC33060A ( $C_T = 0.001\ \mu\text{F}$ , $R_T = 47\ \text{k}\Omega$ )	$f_{osc}$	9.7 9.5 9.0 –	10.5 – – 25	11.3 11.5 11.5 –	kHz
Standard Deviation of Frequency* ( $C_T = 0.001\ \mu\text{F}$ , $R_T = 47\ \text{k}\Omega$ )	$\sigma_{osc}$	–	1.5	–	%
Frequency Change with Voltage ( $V_{CC} = 7.0\ \text{V}$ to $40\ \text{V}$ )	$\Delta f_{osc}(\Delta V)$	–	0.5	2.0	%
Frequency Change with Temperature ( $\Delta T_A = T_{low}$ to $T_{high}$ ) ( $C_T = 0.01\ \mu\text{F}$ , $R_T = 12\ \text{k}\Omega$ )	$\Delta f_{osc}(\Delta T)$	– –	4.0 –	– –	%

## UNDERVOLTAGE LOCKOUT SECTION

Turn-On Threshold ( $V_{CC}$ increasing, $I_{ref} = 1.0\ \text{mA}$ )	$V_{th}$	4.0	4.7	5.5	V
Hysteresis	$V_H$	50	150	300	mV

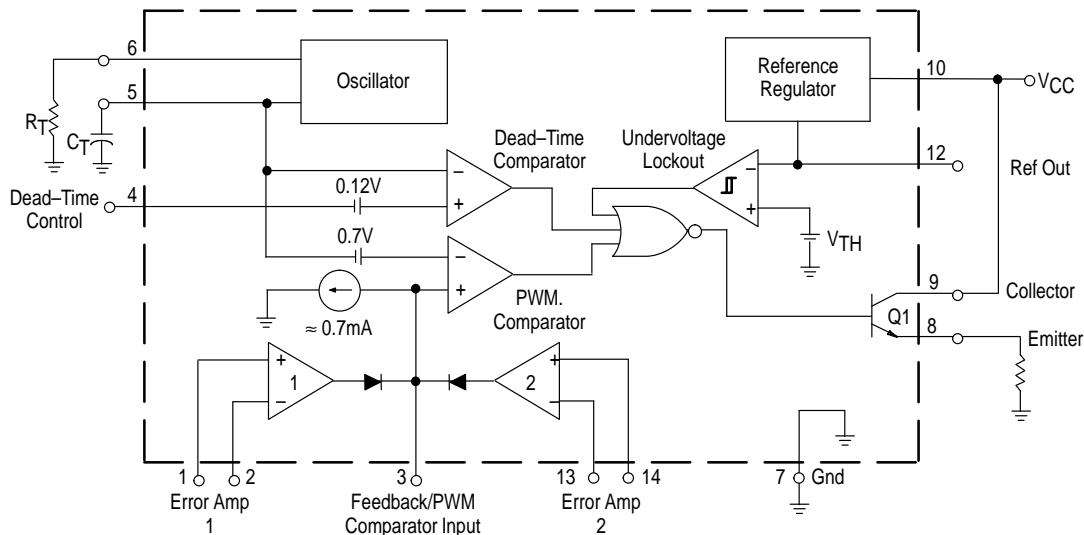
## TOTAL DEVICE

Standby Supply Current (Pin 6 at $V_{ref}$ , all other inputs and outputs open) ( $V_{CC} = 15\ \text{V}$ ) ( $V_{CC} = 40\ \text{V}$ )	$I_{CC}$	– –	5.5 7.0	10 15	mA
Average Supply Current ( $V_{[Pin\ 4]} = 2.0\ \text{V}$ , $C_T = 0.001\ \mu\text{F}$ , $R_T = 47\ \text{k}\Omega$ ). See Figure 11.	$I_S$	–	7.0	–	mA

\*Standard deviation is a measure of the statistical distribution about the mean as derived from the formula;  $\sigma = \sqrt{\frac{\sum_{n=1}^N (x_n - \bar{x})^2}{N-1}}$

# MC34060A MC33060A

Figure 1. Block Diagram



This device contains 46 active transistors.

## Description

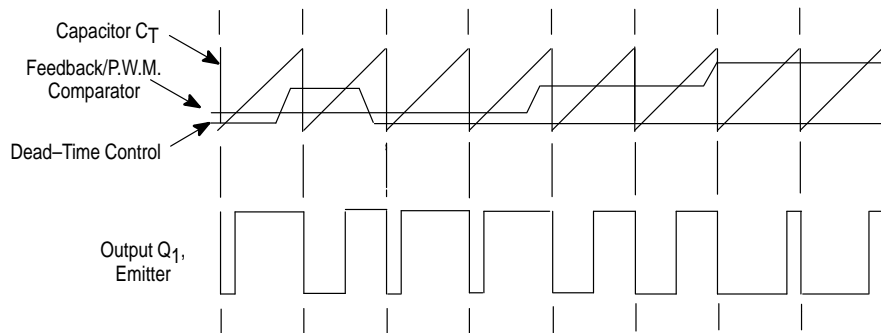
The MC34060A is a fixed-frequency pulse width modulation control circuit, incorporating the primary building blocks required for the control of a switching power supply (see Figure 1). An internal-linear sawtooth oscillator is frequency-programmable by two external components,  $R_T$  and  $C_T$ . The approximate oscillator frequency is determined by:

$$f_{osc} \cong \frac{1.2}{R_T \cdot C_T}$$

For more information refer to Figure 3.

Output pulse width modulation is accomplished by comparison of the positive sawtooth waveform across capacitor  $C_T$  to either of two control signals. The output is enabled only during that portion of time when the sawtooth voltage is greater than the control signals. Therefore, an increase in control-signal amplitude causes a corresponding linear decrease of output pulse width. (Refer to the Timing Diagram shown in Figure 2.)

Figure 2. Timing Diagram



## APPLICATIONS INFORMATION

The control signals are external inputs that can be fed into the dead-time control, the error amplifier inputs, or the feed-back input. The dead-time control comparator has an effective 120 mV input offset which limits the minimum output dead time to approximately the first 4% of the sawtooth-cycle time. This would result in a maximum duty cycle of 96%. Additional dead time may be imposed on the output by setting the dead time-control input to a fixed voltage, ranging between 0 V to 3.3 V.

The pulse width modulator comparator provides a means for the error amplifiers to adjust the output pulse width from the maximum percent on-time, established by the dead time control input, down to zero, as the voltage at the feedback pin

varies from 0.5 V to 3.5 V. Both error amplifiers have a common mode input range from  $-0.3$  V to  $(V_{CC} - 2.0$  V), and may be used to sense power supply output voltage and current. The error-amplifier outputs are active high and are ORed together at the noninverting input of the pulse-width modulator comparator. With this configuration, the amplifier that demands minimum output on time, dominates control of the loop.

The MC34060A has an internal 5.0 V reference capable of sourcing up to 10 mA of load currents for external bias circuits. The reference has an internal accuracy of  $\pm 5\%$  with a typical thermal drift of less than 50 mV over an operating temperature range of  $0^\circ$  to  $+70^\circ\text{C}$ .

Figure 3. Oscillator Frequency versus Timing Resistance

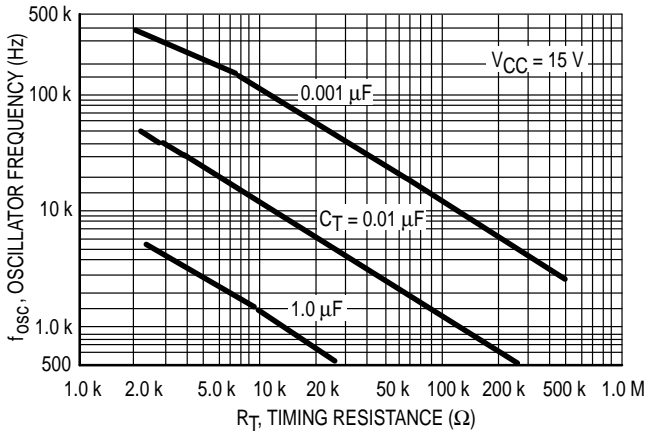


Figure 4. Open Loop Voltage Gain and Phase versus Frequency

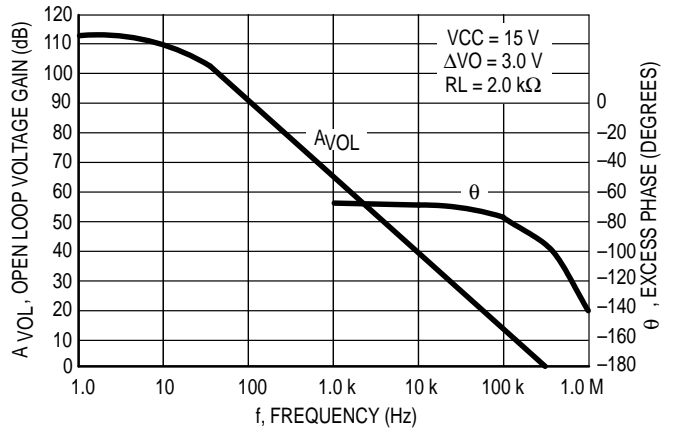


Figure 5. Percent Deadtime versus Oscillator Frequency

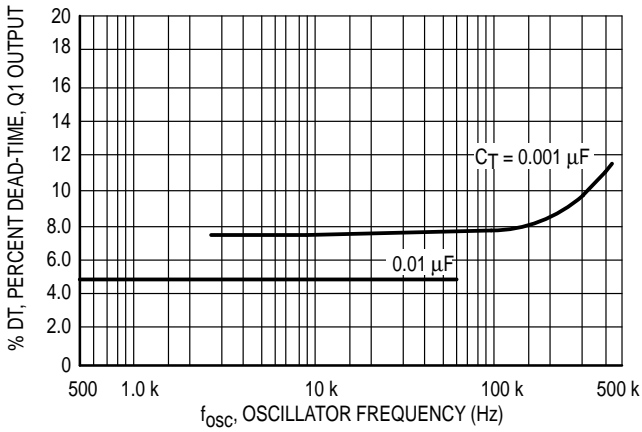


Figure 6. Percent Duty Cycle versus Dead-Time Control Voltage

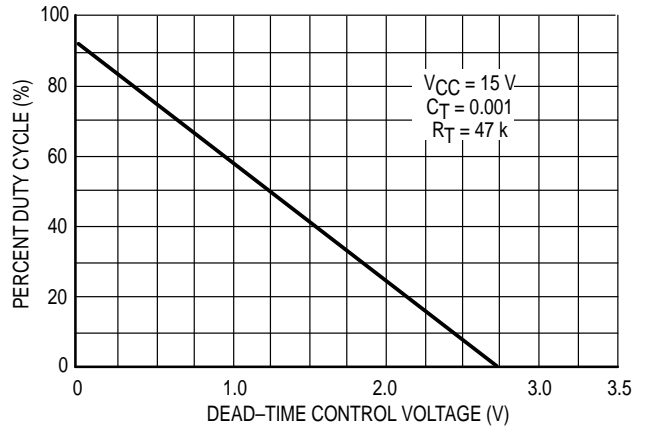


Figure 7. Emitter-Follower Configuration Output Saturation Voltage versus Emitter Current

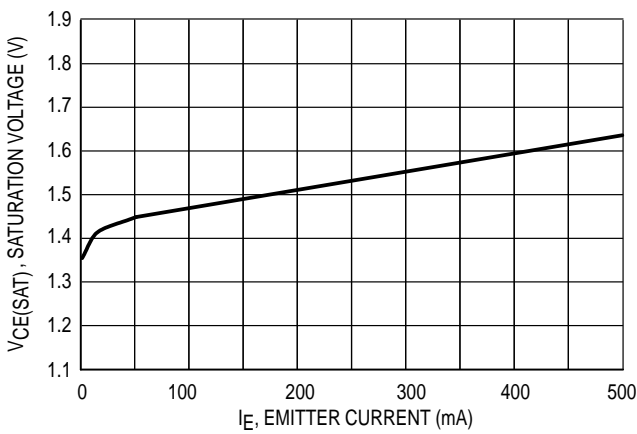


Figure 8. Common-Emitter Configuration Output Saturation Voltage versus Collector Current

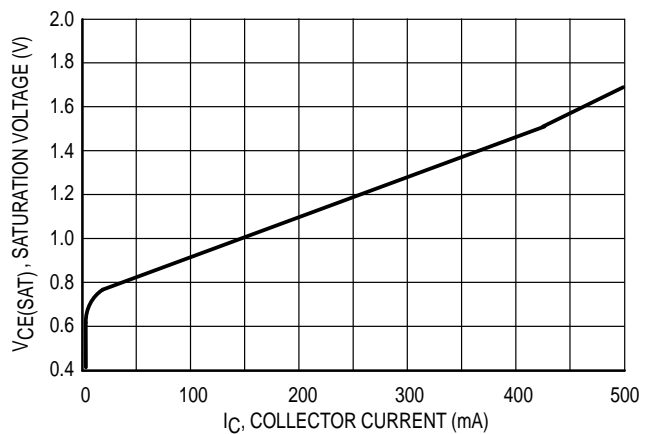


Figure 9. Standby Supply Current versus Supply Voltage

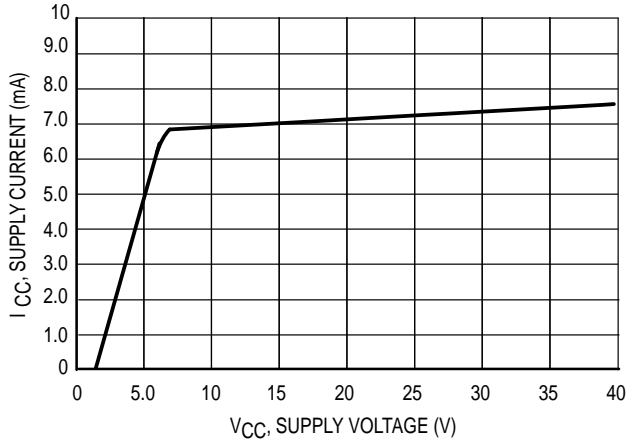


Figure 10. Undervoltage Lockout Thresholds versus Reference Load Current

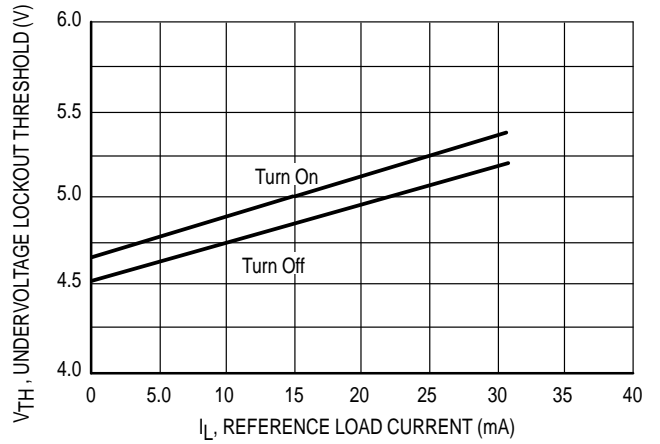


Figure 11. Error Amplifier Characteristics

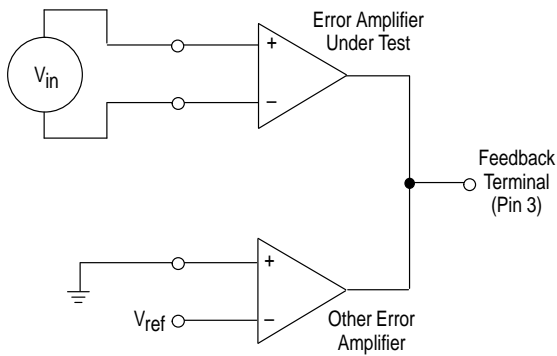


Figure 12. Deadtime and Feedback Control

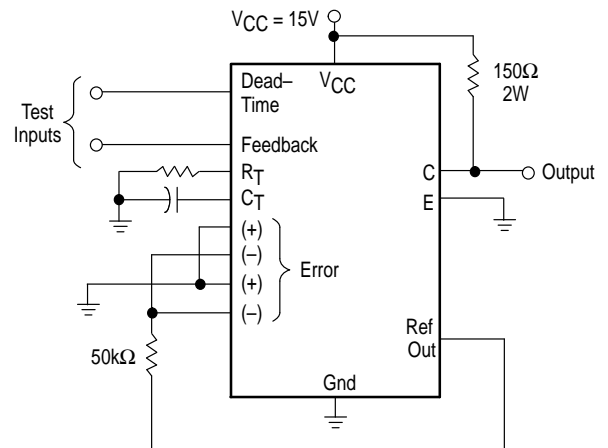


Figure 13. Common-Emitter Configuration and Waveform

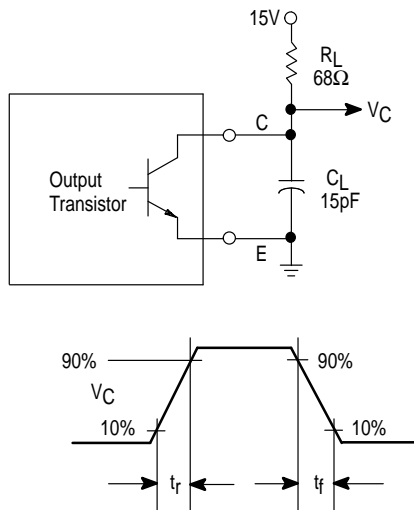


Figure 14. Emitter-Follower Configuration and Waveform

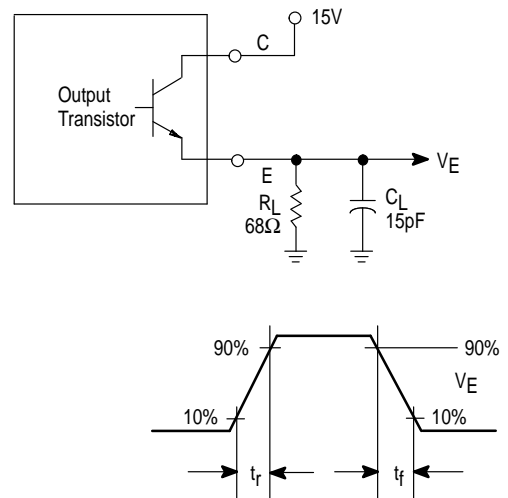


Figure 15. Error Amplifier Sensing Techniques

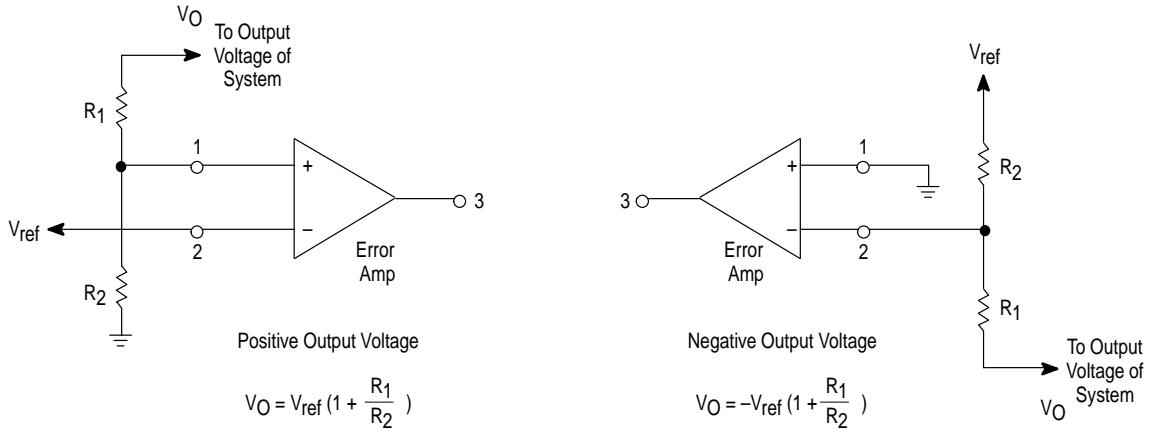


Figure 16. Deadtime Control Circuit

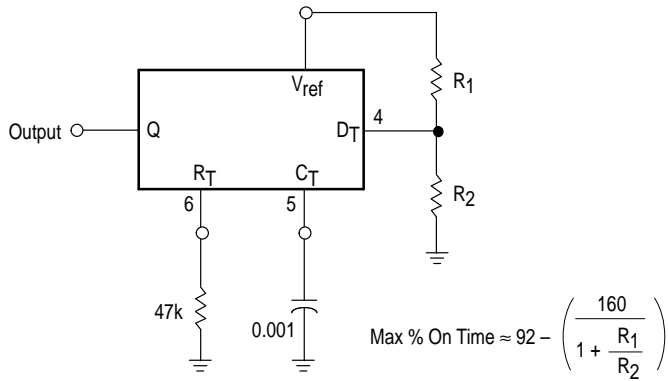


Figure 17. Soft-Start Circuit

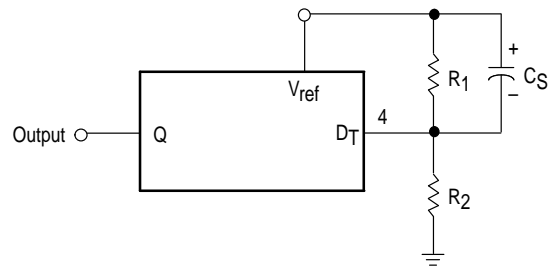
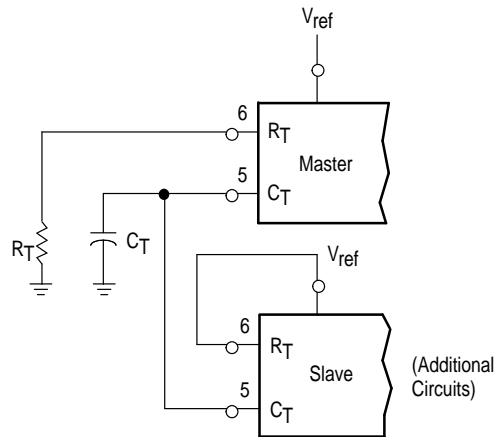


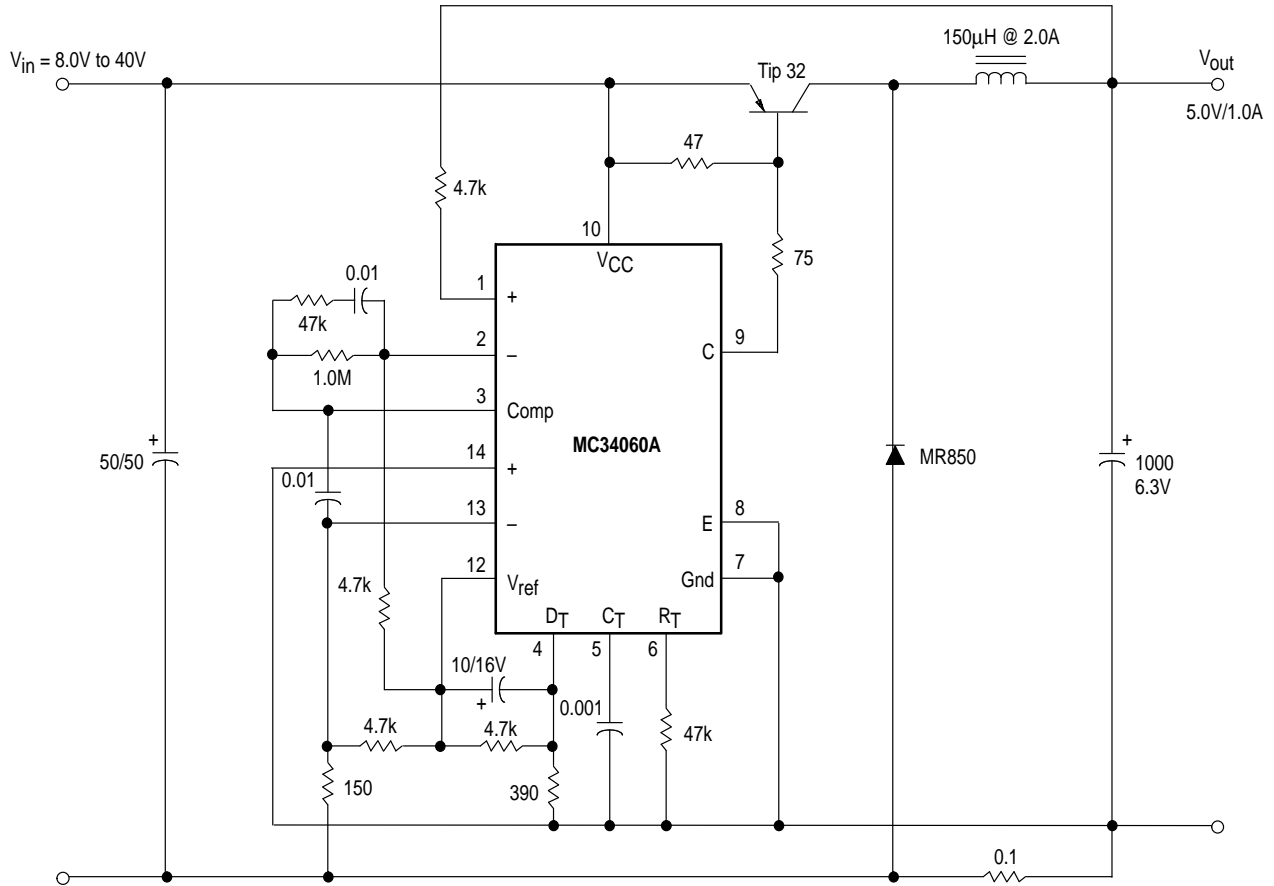
Figure 18. Slaving Two or More Control Circuits





# MC34060A MC33060A

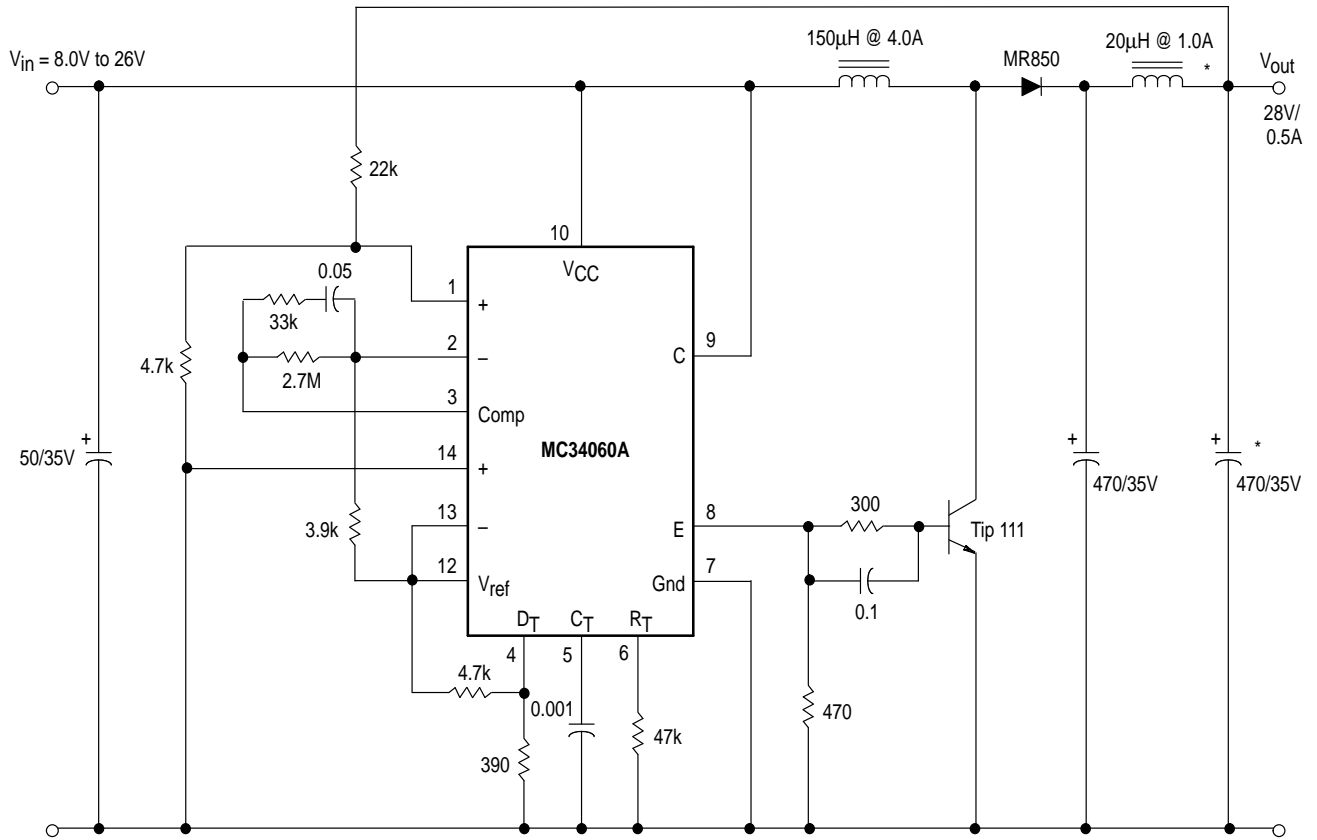
Figure 19. Step-Down Converter with Soft-Start and Output Current Limiting



Test	Conditions	Results
Line Regulation	$V_{in} = 8.0\text{ V to }40\text{ V}, I_O = 1.0\text{ A}$	25 mV    0.5%
Load Regulation	$V_{in} = 12\text{ V}, I_O = 1.0\text{ mA to }1.0\text{ A}$	3.0 mV    0.06%
Output Ripple	$V_{in} = 12\text{ V}, I_O = 1.0\text{ A}$	75 mV p-p P.A.R.D.
Short Circuit Current	$V_{in} = 12\text{ V}, R_L = 0.1\ \Omega$	1.6 A
Efficiency	$V_{in} = 12\text{ V}, I_O = 1.0\text{ A}$	73%

# MC34060A MC33060A

Figure 20. Step-Up Converter

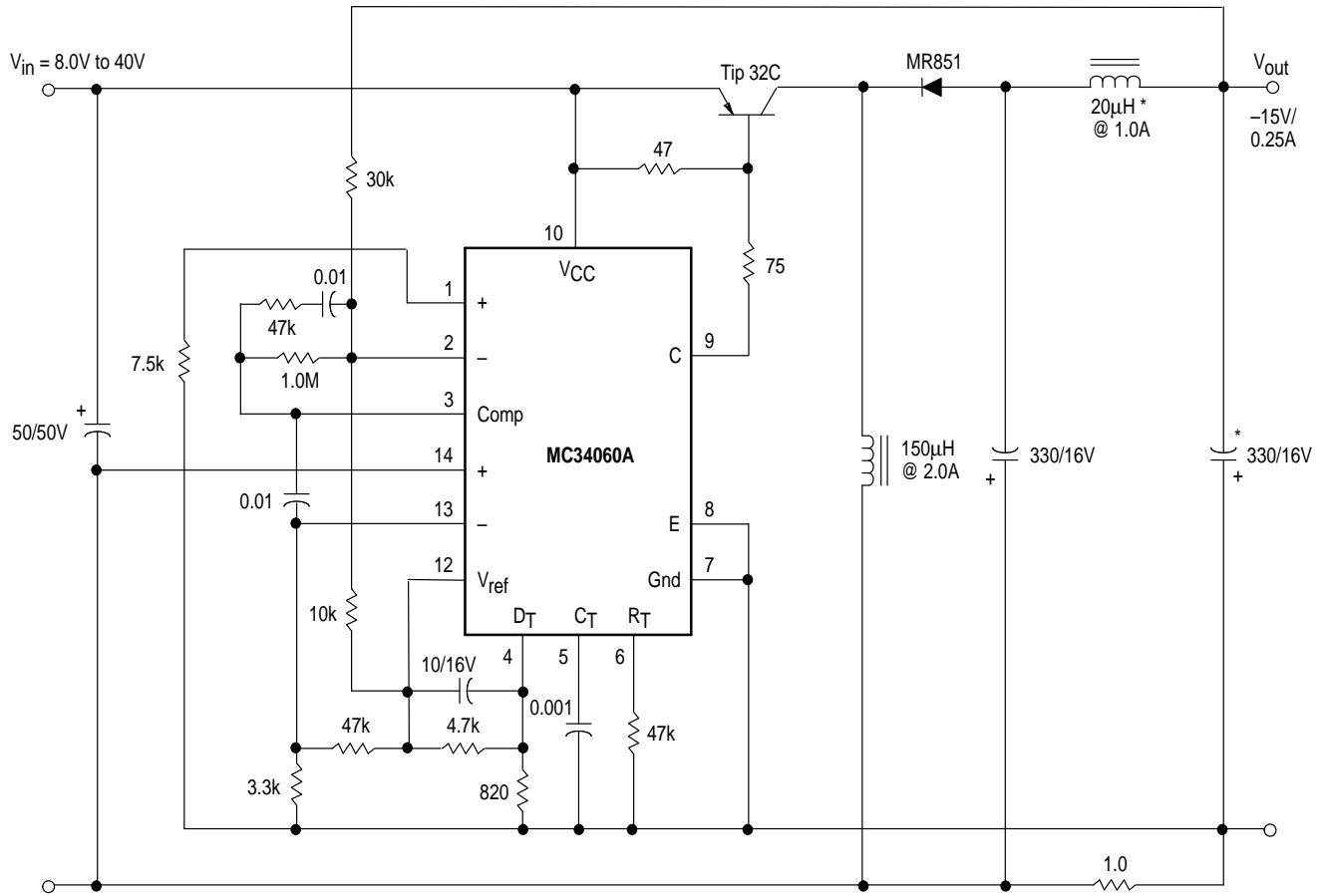


Test	Conditions	Results
Line Regulation	$V_{in} = 8.0 \text{ V to } 26 \text{ V}$ , $I_O = 0.5 \text{ A}$	40 mV 0.14%
Load Regulation	$V_{in} = 12 \text{ V}$ , $I_O = 1.0 \text{ mA to } 0.5 \text{ A}$	5.0 mV 0.18%
Output Ripple	$V_{in} = 12 \text{ V}$ , $I_O = 0.5 \text{ A}$	24 mV p-p P.A.R.D.
Efficiency	$V_{in} = 12 \text{ V}$ , $I_O = 0.5 \text{ A}$	75%

\* Optional circuit to minimize output ripple

# MC34060A MC33060A

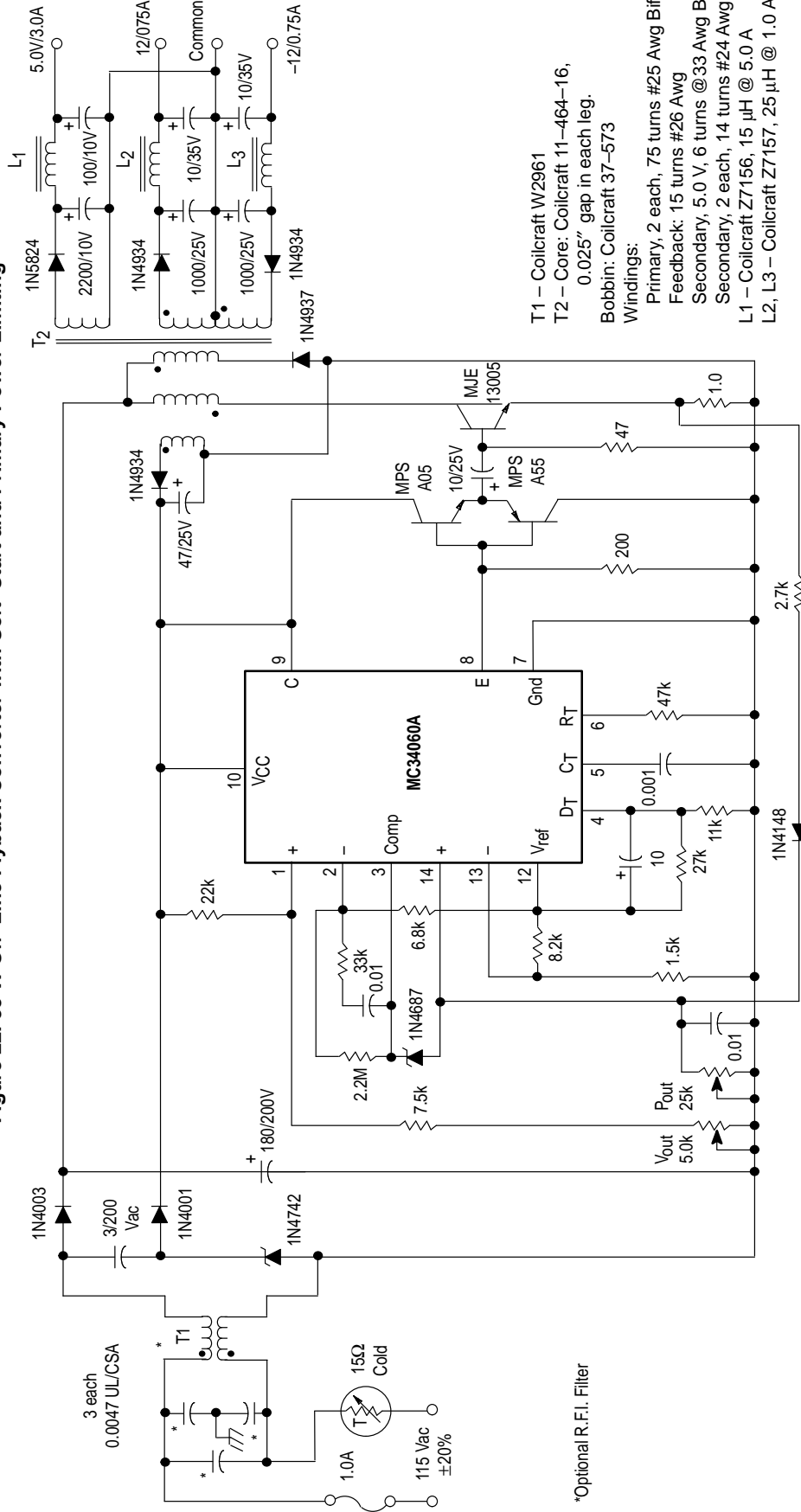
**Figure 21. Step-Up/Down Voltage Inverting Converter with Soft-Start and Current Limiting**



Test	Conditions	Results
Line Regulation	$V_{in} = 8.0 \text{ V to } 40 \text{ V}$ , $I_O = 250 \text{ mA}$	52 mV 0.35%
Load Regulation	$V_{in} = 12 \text{ V}$ , $I_O = 1.0 \text{ to } 250 \text{ mA}$	47 mV 0.32%
Output Ripple	$V_{in} = 12 \text{ V}$ , $I_O = 250 \text{ mA}$	10 mV p-p P.A.R.D.
Short Circuit Current	$V_{in} = 12 \text{ V}$ , $R_L = 0.1 \Omega$	330 mA
Efficiency	$V_{in} = 12 \text{ V}$ , $I_O = 250 \text{ mA}$	86%

\* Optional circuit to minimize output ripple

Figure 22. 33 W Off-Line Flyback Converter with Soft-Start and Primary Power Limiting



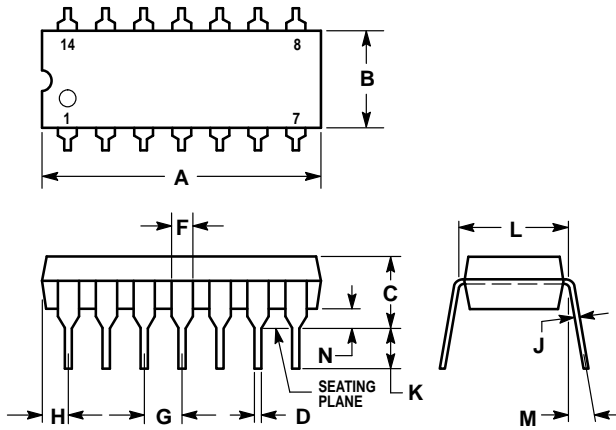
T1 – Coilcraft W2961  
 T2 – Core: Coilcraft 11-464-16,  
 0.025" gap in each leg.  
 Bobbin: Coilcraft 37-573  
 Windings:  
 Primary, 2 each, 75 turns #25 Awg Bifilar wound  
 Feedback: 15 turns #26 Awg  
 Secondary, 5.0 V, 6 turns @ 33 Awg Bifilar wound  
 Secondary, 2 each, 14 turns #24 Awg Bifilar wound  
 L1 – Coilcraft Z7156, 15 μH @ 5.0 A  
 L2, L3 – Coilcraft Z7157, 25 μH @ 1.0 A

Test	Conditions	Results
Line Regulation 5.0 V	V <sub>in</sub> = 95 Vac to 135 Vac, I <sub>O</sub> = 3.0 A	20 mV 0.40%
Line Regulation ±12 V	V <sub>in</sub> = 95 Vac to 135 Vac, I <sub>O</sub> = ±0.75 A	52 mV 0.26%
Load Regulation 5.0 V	V <sub>in</sub> = 115 Vac, I <sub>O</sub> = 1.0 A to 4.0 A	476 mV 9.5%
Load Regulation ±12 V	V <sub>in</sub> = 115 Vac, I <sub>O</sub> = ±0.4 A to ±0.9 A	300 mV 2.5%
Output Ripple 5.0 V	V <sub>in</sub> = 115 Vac, I <sub>O</sub> = 3.0 A	45 mV p-p P.A.R.D.
Output Ripple ±12 V	V <sub>in</sub> = 115 Vac, I <sub>O</sub> = ±0.75 A	75 mV p-p P.A.R.D.
Efficiency	V <sub>in</sub> = 115 Vac, I <sub>O</sub> 5.0 V = 3.0 A I <sub>O</sub> ±12 V = ±0.75 A	74%

# MC34060A MC33060A

## OUTLINE DIMENSIONS

### P SUFFIX PLASTIC PACKAGE CASE 646-06 ISSUE L

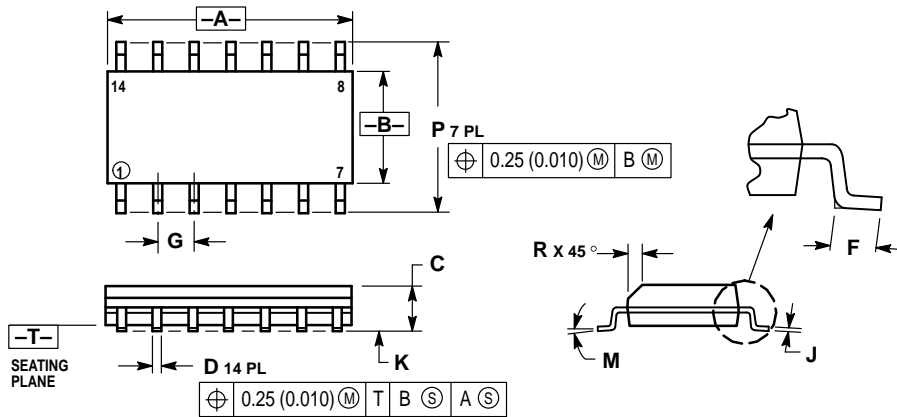


NOTES:

- LEADS WITHIN 0.13 (0.005) RADIUS OF TRUE POSITION AT SEATING PLANE AT MAXIMUM MATERIAL CONDITION.
- DIMENSION L TO CENTER OF LEADS WHEN FORMED PARALLEL.
- DIMENSION B DOES NOT INCLUDE MOLD FLASH.
- ROUNDED CORNERS OPTIONAL.

DIM	INCHES		MILLIMETERS	
	MIN	MAX	MIN	MAX
A	0.715	0.770	18.16	19.56
B	0.240	0.260	6.10	6.60
C	0.145	0.185	3.69	4.69
D	0.015	0.021	0.38	0.53
F	0.040	0.070	1.02	1.78
G	0.100 BSC		2.54 BSC	
H	0.052	0.095	1.32	2.41
J	0.008	0.015	0.20	0.38
K	0.115	0.135	2.92	3.43
L	0.300 BSC		7.62 BSC	
M	0°	10°	0°	10°
N	0.015	0.039	0.39	1.01

### D SUFFIX PLASTIC PACKAGE CASE 751A-03 (SO-14) ISSUE F



NOTES:


- DIMENSIONING AND TOLERANCING PER ANSI Y14.5M, 1982.
- CONTROLLING DIMENSION: MILLIMETER.
- DIMENSIONS A AND B DO NOT INCLUDE MOLD PROTRUSION.
- MAXIMUM MOLD PROTRUSION 0.15 (0.006) PER SIDE.
- DIMENSION D DOES NOT INCLUDE DAMBAR PROTRUSION. ALLOWABLE DAMBAR PROTRUSION SHALL BE 0.127 (0.005) TOTAL IN EXCESS OF THE D DIMENSION AT MAXIMUM MATERIAL CONDITION.

DIM	MILLIMETERS		INCHES	
	MIN	MAX	MIN	MAX
A	8.55	8.75	0.337	0.344
B	3.80	4.00	0.150	0.157
C	1.35	1.75	0.054	0.068
D	0.35	0.49	0.014	0.019
F	0.40	1.25	0.016	0.049
G	1.27 BSC		0.050 BSC	
J	0.19	0.25	0.008	0.009
K	0.10	0.25	0.004	0.009
M	0°	7°	0°	7°
P	5.80	6.20	0.228	0.244
R	0.25	0.50	0.010	0.019

**MC34060A MC33060A**  
**NOTES**

**MC34060A MC33060A**  
**NOTES**

# MC34060A MC33060A

Motorola reserves the right to make changes without further notice to any products herein. Motorola makes no warranty, representation or guarantee regarding the suitability of its products for any particular purpose, nor does Motorola assume any liability arising out of the application or use of any product or circuit, and specifically disclaims any and all liability, including without limitation consequential or incidental damages. "Typical" parameters which may be provided in Motorola data sheets and/or specifications can and do vary in different applications and actual performance may vary over time. All operating parameters, including "Typicals" must be validated for each customer application by customer's technical experts. Motorola does not convey any license under its patent rights nor the rights of others. Motorola products are not designed, intended, or authorized for use as components in systems intended for surgical implant into the body, or other applications intended to support or sustain life, or for any other application in which the failure of the Motorola product could create a situation where personal injury or death may occur. Should Buyer purchase or use Motorola products for any such unintended or unauthorized application, Buyer shall indemnify and hold Motorola and its officers, employees, subsidiaries, affiliates, and distributors harmless against all claims, costs, damages, and expenses, and reasonable attorney fees arising out of, directly or indirectly, any claim of personal injury or death associated with such unintended or unauthorized use, even if such claim alleges that Motorola was negligent regarding the design or manufacture of the part. Motorola and  registered trademarks of Motorola, Inc. Motorola, Inc. is an Equal Opportunity/Affirmative Action Employer.

#### How to reach us:

**USA/EUROPE/Locations Not Listed:** Motorola Literature Distribution;  
P.O. Box 20912; Phoenix, Arizona 85036. 1-800-441-2447 or 602-303-5454

**MFAX:** RMFAX0@email.sps.mot.com – TOUCHTONE 602-244-6609  
**INTERNET:** <http://Design-NET.com>

**JAPAN:** Nippon Motorola Ltd.; Tatsumi-SPD-JLDC, 6F Seibu-Butsuryu-Center,  
3-14-2 Tatsumi Koto-Ku, Tokyo 135, Japan. 03-81-3521-8315

**ASIA/PACIFIC:** Motorola Semiconductors H.K. Ltd.; 8B Tai Ping Industrial Park,  
51 Ting Kok Road, Tai Po, N.T., Hong Kong. 852-26629298



MC34060A/D

