

DATA SHEET

TDA8780M True logarithmic amplifier

Product specification
Supersedes data of November 1994
File under Integrated Circuits, IC03

1995 Jul 25

True logarithmic amplifier

TDA8780M

FEATURES

- 72 dB true logarithmic dynamic range
- Small-signal gain-adjustment facility
- Constant limiting output voltage
- Temperature and DC power supply voltage independent
- Easy interfacing to analog-to-digital converters
- Output DC level shift facility.

APPLICATIONS

- Dynamic range compression
- IF signal dynamic range reduction in digital receivers
- Compression receivers.

GENERAL DESCRIPTION

The TDA8780M is a true logarithmic amplifier intended for dynamic range reduction of IF signals at 10.7 MHz in digital radio receivers. It offers true logarithmic characteristics over a 72 dB input dynamic range, has a small-signal gain-adjustment facility and a constant limiting output voltage for large input levels.

A unique feature is the smooth “changeover” from linear operation (inputs less than 60 μ V) to logarithmic mode.

The device is manufactured in an advanced BiCMOS process which enables high performance being obtained with low DC power supply consumption. The true logarithmic amplifier can be driven by single-ended or differential inputs. The DC operating point is set by overall on-chip feedback decoupled by two off-chip capacitors, which define the low-frequency cut-off point.

The performance of the amplifier is stabilized against temperature and DC power supply variations. The differential output is converted internally to a single-ended output by an on-chip operational amplifier arrangement in which the DC output level is set by an externally-supplied reference voltage. A power-down facility allows the circuit to be disabled from a control input.

QUICK REFERENCE DATA

SYMBOL	PARAMETER	MIN.	TYP.	MAX.	UNIT
V_P	supply voltage	4.5	5.0	5.5	V
I_P	supply current	–	–	6.7	mA
$I_{P(PD)}$	supply current in power-down mode	–	–	250	μ A
f_{in}	operating input frequency	–	–	15	MHz
$V_{in(M)}$	dynamic logarithmic input voltage (peak value)	0.06	–	300	mV
T_{amb}	operating ambient temperature	–20	–	+75	$^{\circ}$ C

ORDERING INFORMATION

TYPE NUMBER	PACKAGE		
	NAME	DESCRIPTION	VERSION
TDA8780M	SSOP20	plastic shrink small outline package; 20 leads; body width 4.4 mm	SOT266-1

True logarithmic amplifier

TDA8780M

BLOCK DIAGRAM

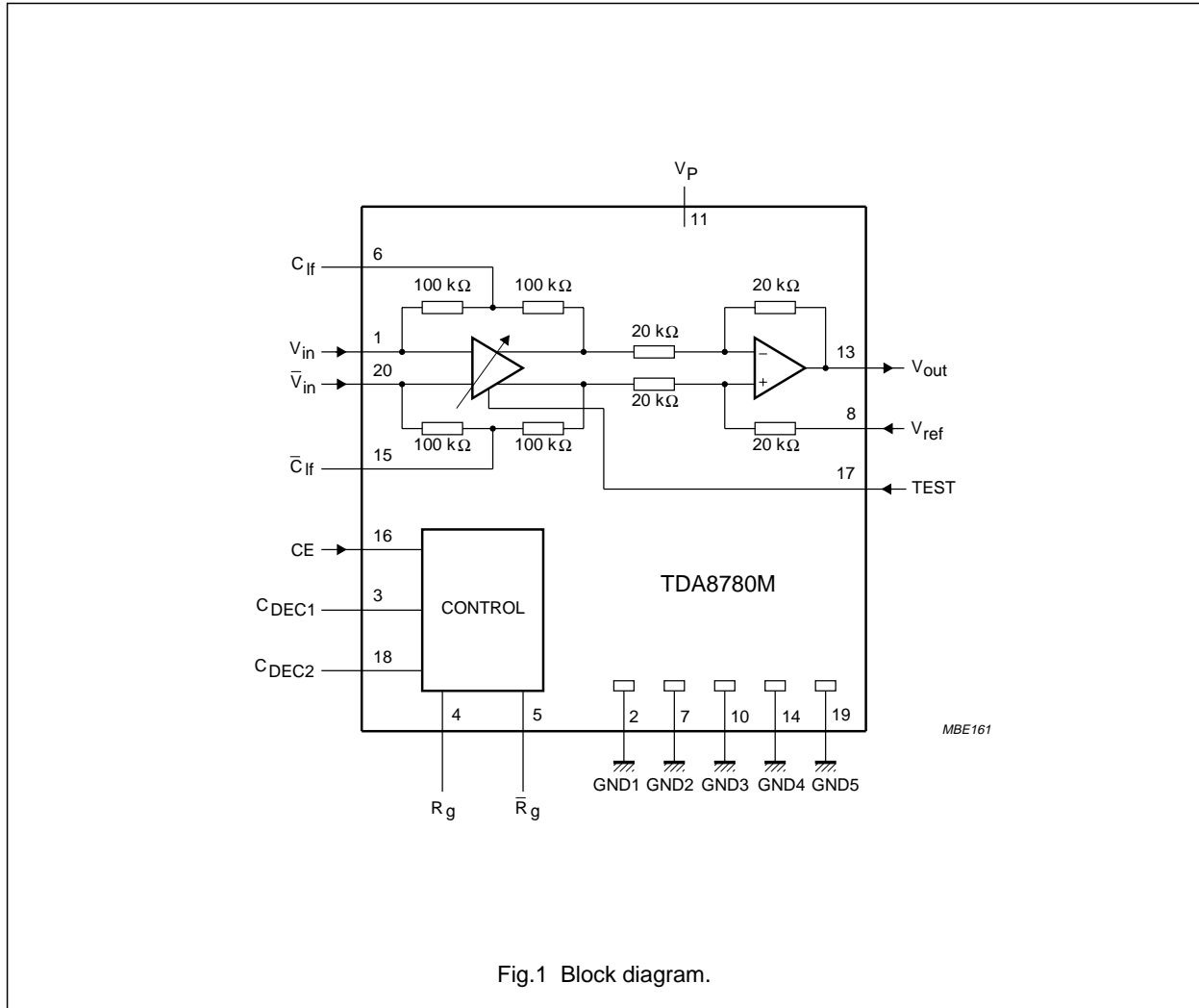


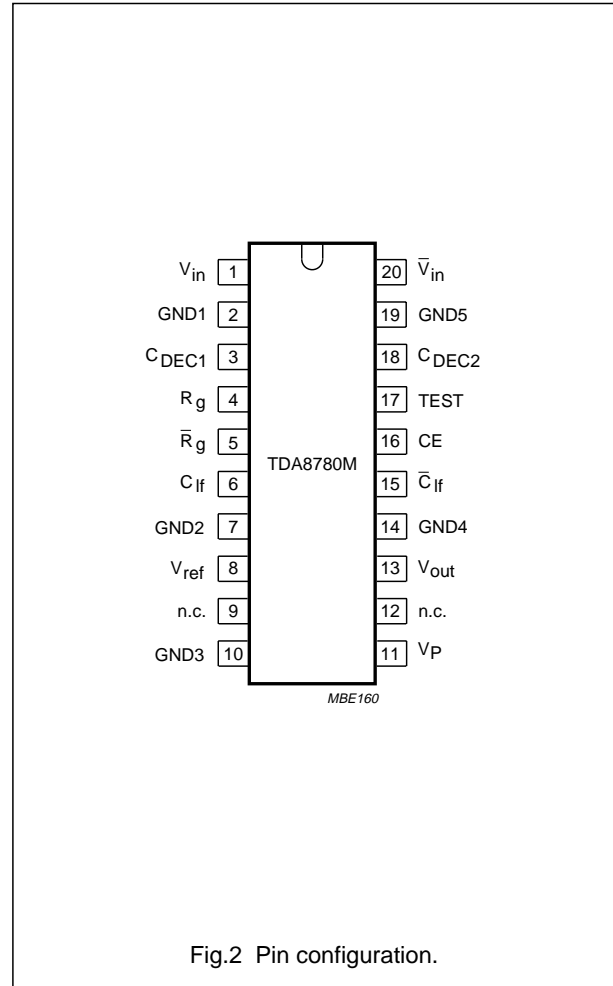
Fig.1 Block diagram.

True logarithmic amplifier

TDA8780M

PINNING

SYMBOL	PIN	DESCRIPTION
V_{in}	1	signal voltage input
GND1	2	ground 1
C_{DEC1}	3	control circuit first decoupling and optional start-up capacitor connection
R_g	4	small-signal gain-setting resistor
\bar{R}_g	5	small-signal complementary gain-setting resistor
C_{if}	6	low-frequency cut-off point setting capacitor
GND2	7	ground 2
V_{ref}	8	external reference voltage input
n.c.	9	not connected
GND3	10	ground 3 (main ground)
V_P	11	power supply
n.c.	12	not connected
V_{out}	13	true logarithmic voltage output
GND4	14	ground 4
\bar{C}_{if}	15	complementary low-frequency cut-off point setting capacitor
CE	16	TTL-level-compatible circuit enable input (active HIGH)
TEST	17	test input; connected to ground in normal operation
C_{DEC2}	18	control circuit second decoupling and optional start-up capacitor
GND5	19	ground 5
\bar{V}_{in}	20	complementary signal voltage input



True logarithmic amplifier

TDA8780M

FUNCTIONAL DESCRIPTION

A true logarithmic amplifier can be realized from a cascade of similar stages each stage consisting of a pair of amplifiers whose inputs and outputs are connected in parallel. One of these amplifiers can be formed by an undegenerated long-tailed pair which provides high gain but limited linear input signal-handling capability. The other amplifier can be formed by a degenerated long-tailed pair which provides a gain of unity and a much larger linear input signal-handling capability.

The overall cascade amplifies very small input signals but, once these reach the level at which the undegenerated long-tailed pair in the last stage is at the limit of its linear signal-handling capability, the output voltage becomes logarithmically dependent on the input signal level. This behaviour continues until the input signal reaches the level at which undegenerated long-tailed pair in the first stage is at the limit of its linear input signal-handling capability. The transfer characteristic beyond this point then depends on the exact configuration of the degenerated long-tailed pair in the first stage.

Five stages are used in the TDA8780M to provide a 72 dB true logarithmic dynamic range. The DC bias current in the undegenerated long-tailed pair in the first stage is made externally adjustable, using an off-chip resistor, to provide a small-signal gain adjustment facility. The small signal gain defined by this resistor is valid when the IC is operating in the "linear" mode, for input signals typically less than 60 μV .

A high-level limiter is inserted between the first and second stages to provide a constant limiting output voltage which is essentially independent of the value of the gain setting resistor. These stages can be driven by single-ended or differential inputs. The DC operating point is set by overall on-chip feedback decoupled by two off-chip capacitors which define the low-frequency cut-off point. The performance is stabilized against temperature and DC power supply variations. The input to the true logarithmic amplifier is protected against damage due to excessive differential input signals by diodes.

The differential output from the true logarithmic amplifier is converted internally to a single-ended output by an on-chip operational amplifier arrangement in which the DC output level is set by an externally-supplied reference voltage. The output is capable of driving loads down to 10 k Ω . The limiting output voltage and the output drive capability have been chosen to facilitate interfacing to analog-to-digital converters. A major part of the DC power supply current consumption of the device is associated with provision of this output drive capability. The DC power supply consumption is significantly less when the device is driving smaller loads.

A power-down facility allows the circuit to be disabled from a TTL-level compatible control input.

True logarithmic amplifier

TDA8780M

LIMITING VALUES

In accordance with the Absolute Maximum Rating System (IEC 134).

SYMBOL	PARAMETER	MIN.	MAX.	UNIT
V_P	supply voltage	-0.3	+6.0	V
V_i	input voltage all other pins referenced to ground	-0.3	$V_P + 0.3$	V
T_{amb}	operating ambient temperature	-20	+75	°C
T_{stg}	IC storage temperature	-55	+150	°C

HANDLING

Inputs and outputs are protected against electrostatic discharge in normal handling. However, to be totally safe, it is desirable to take normal precautions appropriate to handling MOS devices.

ESD in accordance with "MIL STD 883C" - "Method 3015".

CHARACTERISTICS

$V_P = 5\text{ V}$; $T_{amb} = 25\text{ °C}$; $V_{ref} = 2.5\text{ V}$; V_{in} at $f_{in} = 10.7\text{ MHz}$; $R_G = 3.3\text{ k}\Omega$; output not loaded; unless otherwise specified. Signal values expressed as peak voltages mV (peak), μV (peak) or dBm (50 Ω).

SYMBOL	PARAMETER	CONDITIONS	MIN.	TYP.	MAX.	UNIT
Supply						
V_P	supply voltage		4.5	5.0	5.5	V
I_P	supply current	$V_P = 5.5\text{ V}$; $V_{in} = 1\text{ V}$	-	5.4	6.7	mA
		$V_P = 5.0\text{ V}$; $V_{in} = 1\text{ V}$	-	4.9	6.2	mA
$I_{P(PD)}$	supply current in power-down	output not loaded	-	40	200	μA
		$R_L = 10\text{ k}\Omega$	-	100	250	μA
t_{sw}	switching time	see Fig.6	-	70	-	μs
Reference input (pin 8)						
V_{ref}	external reference voltage input		2.0	2.5	$V_P - 2.0$	V
R_{ref}	external reference resistance input		-	40	-	$\text{k}\Omega$
Inputs (pins 1 and 20)						
f_{in}	input operating frequency	note 1	1.0	10.7	15	MHz
R_{diff}	differential small-signal input resistance	$V_{in} = 10\text{ mV}$	-	10	-	$\text{k}\Omega$
C_{diff}	differential input capacitance		-	2	-	pF
$V_{in(min)}$	input voltage level at start of logarithmic characteristic		-	60	-	μV
$V_{in(top)}$	input voltage level at top end of logarithmic characteristic		-	300	-	mV
$V_{in(max)}$	maximum input signal voltage	input protection diodes not conducting	-	1	-	V
ΔV_{in}	input voltage level spread across logarithmic range	over whole T_{amb} and V_P range	-	± 2.5	-	dB

True logarithmic amplifier

TDA8780M

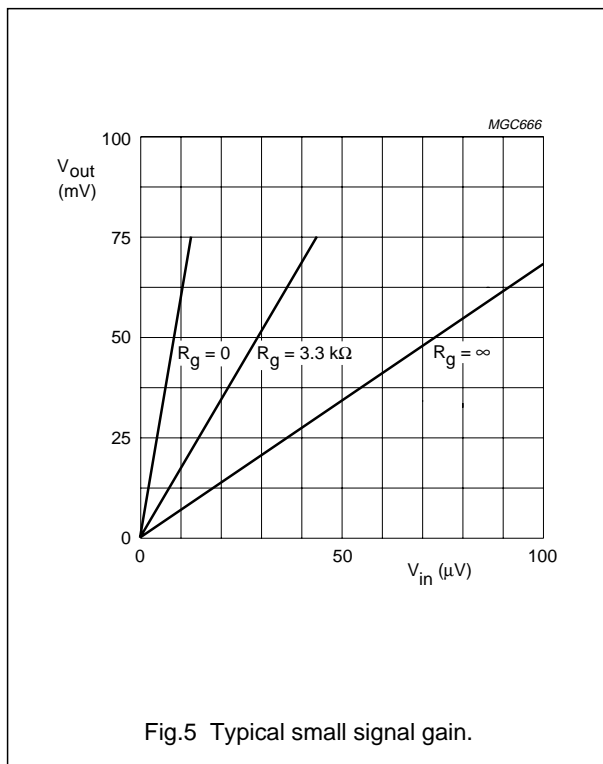
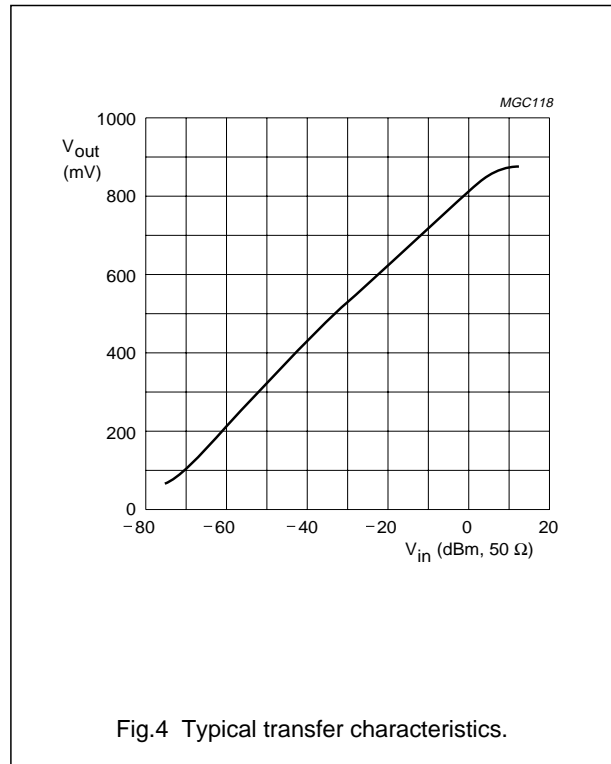
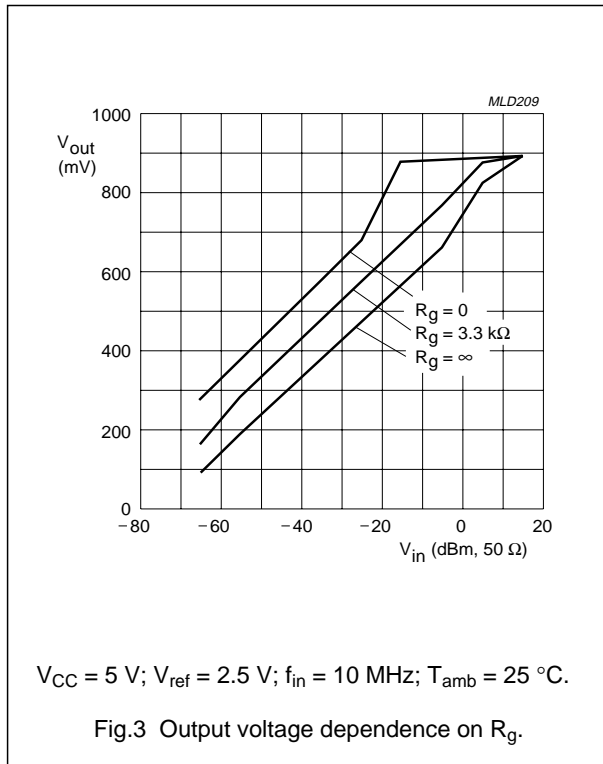
SYMBOL	PARAMETER	CONDITIONS	MIN.	TYP.	MAX.	UNIT
Output (pin 13)						
V_{os}	DC offset voltage (V_{out} to V_{ref})	no input signal	-60	+40	+140	mV
V_{out}	output voltage level across logarithmic range	$V_{in} = 60 \mu\text{V}$ (-71.4 dBm)	45	80	115	mV
		$V_{in} = 400 \mu\text{V}$ (-54.9 dBm)	200	245	290	mV
		$V_{in} = 3 \text{ mV}$ (-37.4 dBm)	365	440	495	mV
		$V_{in} = 25 \text{ mV}$ (-19.0 dBm)	530	610	690	mV
		$V_{in} = 200 \text{ mV}$ (-1.0 dBm)	680	780	880	mV
		$V_{in} = 300 \text{ mV}$ (+2.6 dBm)	710	820	930	mV
		$R_g = 0$; $V_{in} = 3 \text{ mV}$; see Fig.3	-	530	-	mV
$R_g = \infty$; $V_{in} = 3 \text{ mV}$; see Fig.3	-	360	-	mV		
$V_{out(lim)}$	limiting output voltage	$V_{in} = 1 \text{ V}$ (+13.0 dBm)	750	950	1050	mV
$\Delta\phi$	spread in output phase transfer characteristic across logarithmic range		-	15	-	
f_{if}	low frequency cut-off point (3 dB)	see Fig.6	-	-	0.1	MHz
G_{flat}	gain flatness at 1 to 15 MHz	$V_{in} = 10 \text{ mV}$	-	0.5	1.5	dB
R_{13}	output resistance		-	150	-	Ω
Logic input (pin 16)						
V_{IL}	LOW level input voltage		0	-	0.8	V
V_{IH}	HIGH level input voltage		2	-	V_P	V
I_{LI}	input leakage current	$V_{IL} = 0$ to V_P	-1	-	+1	μA

Note

1. With some changes in application the lower input frequency limit can be lowered.

True logarithmic amplifier

TDA8780M



True logarithmic amplifier

TDA8780M

APPLICATION INFORMATION

The circuit is typically connected as shown in Fig.6. The single-ended 10.7 MHz input IF signal is applied (arbitrarily) to one of the two input pins via a ceramic filter. These inputs should not be DC coupled as this will disable the on-chip feedback which sets the DC operating point of the true logarithmic amplifier. The relatively high impedance of these inputs facilitates correct termination of the ceramic filter by an off-chip resistor.

The low-frequency cut-off point is determined by the value of capacitors connected to pins 6 and 15 which decouple the overall DC feedback and the value of the input coupling capacitors. The output is coupled to an analog-to-digital converter thus the value of the voltage fed to the reference voltage input is not critical. It could be useful in other applications, where the output may be DC coupled to an alternative analog-to-digital converter, to derive this reference voltage from the centre of the input resistor chain of the analog-to-digital converter.

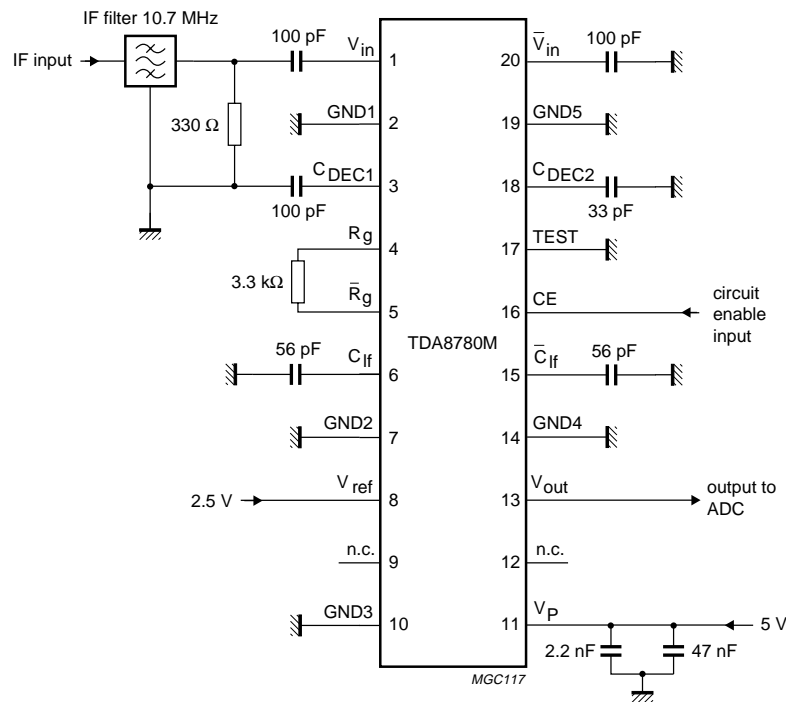


Fig.6 Typical application diagram.

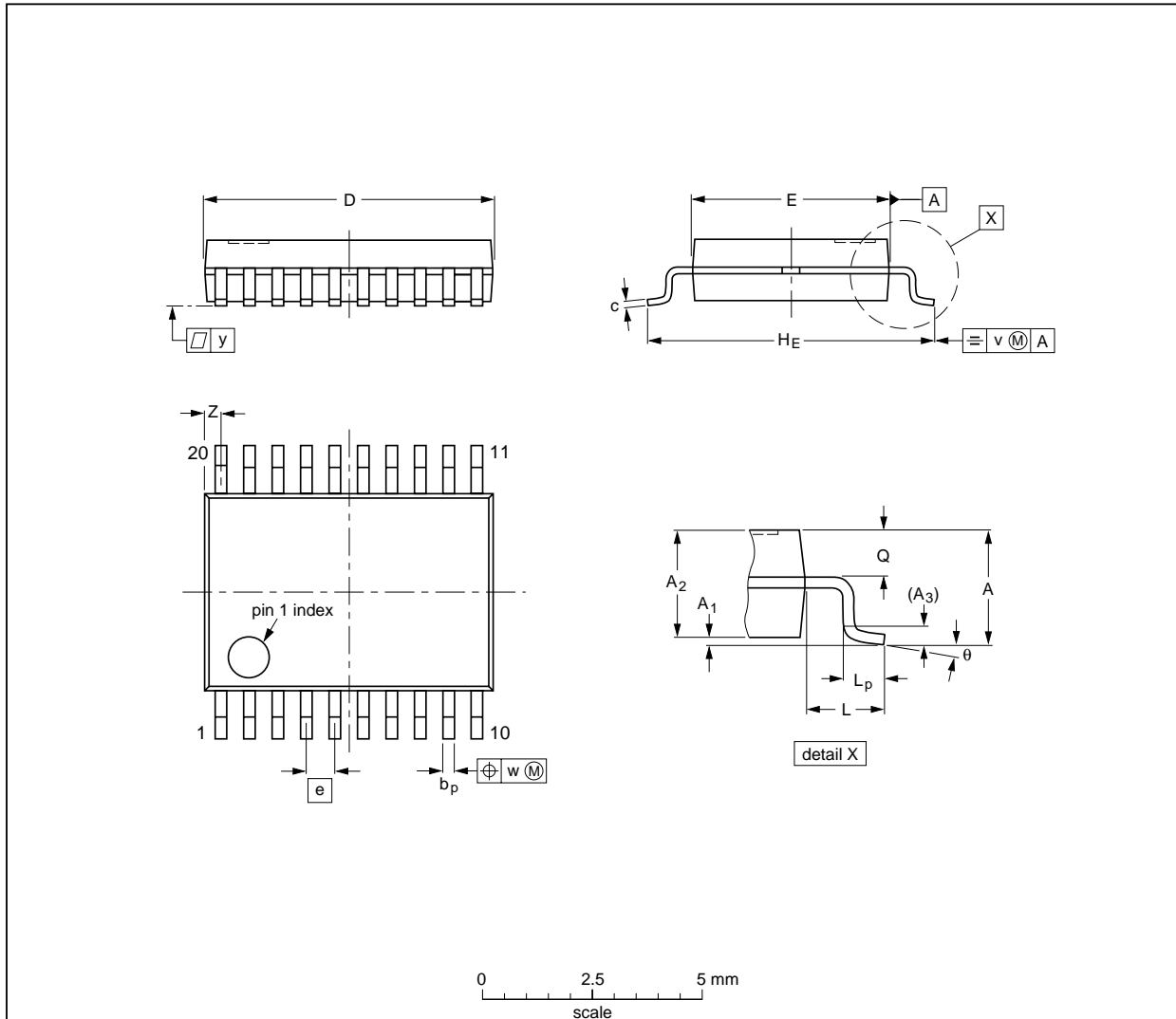
True logarithmic amplifier

TDA8780M

PACKAGE OUTLINE

SSOP20: plastic shrink small outline package; 20 leads; body width 4.4 mm

SOT266-1



DIMENSIONS (mm are the original dimensions)

UNIT	A _{max.}	A ₁	A ₂	A ₃	b _p	c	D ⁽¹⁾	E ⁽¹⁾	e	H _E	L	L _p	Q	v	w	y	Z ⁽¹⁾	θ
mm	1.5	0.15 0	1.4 1.2	0.25	0.32 0.20	0.20 0.13	6.6 6.4	4.5 4.3	0.65	6.6 6.2	1.0	0.75 0.45	0.65 0.45	0.2	0.13	0.1	0.48 0.18	10° 0°

Note

1. Plastic or metal protrusions of 0.20 mm maximum per side are not included.

OUTLINE VERSION	REFERENCES				EUROPEAN PROJECTION	ISSUE DATE
	IEC	JEDEC	EIAJ			
SOT266-1						90-04-05 95-02-25

True logarithmic amplifier

TDA8780M

SOLDERING

Introduction

There is no soldering method that is ideal for all IC packages. Wave soldering is often preferred when through-hole and surface mounted components are mixed on one printed-circuit board. However, wave soldering is not always suitable for surface mounted ICs, or for printed-circuits with high population densities. In these situations reflow soldering is often used.

This text gives a very brief insight to a complex technology. A more in-depth account of soldering ICs can be found in our *"IC Package Databook"* (order code 9398 652 90011).

Reflow soldering

Reflow soldering techniques are suitable for all SO packages.

Reflow soldering requires solder paste (a suspension of fine solder particles, flux and binding agent) to be applied to the printed-circuit board by screen printing, stencilling or pressure-syringe dispensing before package placement.

Several techniques exist for reflowing; for example, thermal conduction by heated belt. Dwell times vary between 50 and 300 seconds depending on heating method. Typical reflow temperatures range from 215 to 250 °C.

Preheating is necessary to dry the paste and evaporate the binding agent. Preheating duration: 45 minutes at 45 °C.

Wave soldering

Wave soldering techniques can be used for all SO packages if the following conditions are observed:

- A double-wave (a turbulent wave with high upward pressure followed by a smooth laminar wave) soldering technique should be used.
- The longitudinal axis of the package footprint must be parallel to the solder flow.
- The package footprint must incorporate solder thieves at the downstream end.

During placement and before soldering, the package must be fixed with a droplet of adhesive. The adhesive can be applied by screen printing, pin transfer or syringe dispensing. The package can be soldered after the adhesive is cured.

Maximum permissible solder temperature is 260 °C, and maximum duration of package immersion in solder is 10 seconds, if cooled to less than 150 °C within 6 seconds. Typical dwell time is 4 seconds at 250 °C.

A mildly-activated flux will eliminate the need for removal of corrosive residues in most applications.

Repairing soldered joints

Fix the component by first soldering two diagonally-opposite end leads. Use only a low voltage soldering iron (less than 24 V) applied to the flat part of the lead. Contact time must be limited to 10 seconds at up to 300 °C. When using a dedicated tool, all other leads can be soldered in one operation within 2 to 5 seconds between 270 and 320 °C.

True logarithmic amplifier

TDA8780M

DEFINITIONS

Data sheet status	
Objective specification	This data sheet contains target or goal specifications for product development.
Preliminary specification	This data sheet contains preliminary data; supplementary data may be published later.
Product specification	This data sheet contains final product specifications.
Limiting values	
Limiting values given are in accordance with the Absolute Maximum Rating System (IEC 134). Stress above one or more of the limiting values may cause permanent damage to the device. These are stress ratings only and operation of the device at these or at any other conditions above those given in the Characteristics sections of the specification is not implied. Exposure to limiting values for extended periods may affect device reliability.	
Application information	
Where application information is given, it is advisory and does not form part of the specification.	

LIFE SUPPORT APPLICATIONS

These products are not designed for use in life support appliances, devices, or systems where malfunction of these products can reasonably be expected to result in personal injury. Philips customers using or selling these products for use in such applications do so at their own risk and agree to fully indemnify Philips for any damages resulting from such improper use or sale.

True logarithmic amplifier

TDA8780M

NOTES

True logarithmic amplifier

TDA8780M

NOTES

True logarithmic amplifier

TDA8780M

NOTES

Philips Semiconductors – a worldwide company

Argentina: IEROD, Av. Juramento 1992 - 14.b, (1428)
BUENOS AIRES, Tel. (541)786 7633, Fax. (541)786 9367

Australia: 34 Waterloo Road, NORTH RYDE, NSW 2113,
Tel. (02)805 4455, Fax. (02)805 4466

Austria: Triester Str. 64, A-1101 WIEN, P.O. Box 213,
Tel. (01)60 101-1236, Fax. (01)60 101-1211

Belgium: Postbus 90050, 5600 PB EINDHOVEN, The Netherlands,
Tel. (31)40 783 749, Fax. (31)40 788 399

Brazil: Rua do Rocio 220 - 5th floor, Suite 51,
CEP: 04552-903-SÃO PAULO-SP, Brazil.
P.O. Box 7383 (01064-970),
Tel. (011)821-2333, Fax. (011)829-1849

Canada: PHILIPS SEMICONDUCTORS/COMPONENTS:
Tel. (800) 234-7381, Fax. (708) 296-8556

Chile: Av. Santa Maria 0760, SANTIAGO,
Tel. (02)773 816, Fax. (02)777 6730

China/Hong Kong: 501 Hong Kong Industrial Technology Centre,
72 Tat Chee Avenue, Kowloon Tong, HONG KONG,
Tel. (852)2319 7888, Fax. (852)2319 7700

Colombia: IPRELENSO LTDA, Carrera 21 No. 56-17,
77621 BOGOTA, Tel. (571)249 7624/(571)217 4609,
Fax. (571)217 4549

Denmark: Prags Boulevard 80, PB 1919, DK-2300
COPENHAGEN S, Tel. (032)88 2636, Fax. (031)57 1949

Finland: Sinikalliontie 3, FIN-02630 ESPOO,
Tel. (358)0-615 800, Fax. (358)0-61580 920

France: 4 Rue du Port-aux-Vins, BP317,
92156 SURESNES Cedex,
Tel. (01)4099 6161, Fax. (01)4099 6427

Germany: P.O. Box 10 63 23, 20043 HAMBURG,
Tel. (040)3296-0, Fax. (040)3296 213.

Greece: No. 15, 25th March Street, GR 17778 TAVROS,
Tel. (01)4894 339/4894 911, Fax. (01)4814 240

India: Philips INDIA Ltd, Shivsagar Estate, A Block,
Dr. Annie Besant Rd. Worli, Bombay 400 018
Tel. (022)4938 541, Fax. (022)4938 722

Indonesia: Philips House, Jalan H.R. Rasuna Said Kav. 3-4,
P.O. Box 4252, JAKARTA 12950,
Tel. (021)5201 122, Fax. (021)5205 189

Ireland: Newstead, Clonskeagh, DUBLIN 14,
Tel. (01)7640 000, Fax. (01)7640 200

Italy: PHILIPS SEMICONDUCTORS S.r.l.,
Piazza IV Novembre 3, 20124 MILANO,
Tel. (0039)2 6752 2531, Fax. (0039)2 6752 2557

Japan: Philips Bldg 13-37, Kohnan2-chome, Minato-ku, TOKYO 108,
Tel. (03)3740 5130, Fax. (03)3740 5077

Korea: Philips House, 260-199 Itaewon-dong,
Yongsan-ku, SEOUL, Tel. (02)709-1412, Fax. (02)709-1415

Malaysia: No. 76 Jalan Universiti, 46200 PETALING JAYA,
SELANGOR, Tel. (03)750 5214, Fax. (03)757 4880

Mexico: 5900 Gateway East, Suite 200, EL PASO, TX 79905,
Tel. 9-5(800)234-7381, Fax. (708)296-8556

Netherlands: Postbus 90050, 5600 PB EINDHOVEN, Bldg. VB,
Tel. (040)783749, Fax. (040)788399
(From 10-10-1995: Tel. (040)2783749, Fax. (040)2788399)

New Zealand: 2 Wagener Place, C.P.O. Box 1041, AUCKLAND,
Tel. (09)849-4160, Fax. (09)849-7811

Norway: Box 1, Manglerud 0612, OSLO,
Tel. (022)74 8000, Fax. (022)74 8341

Pakistan: Philips Electrical Industries of Pakistan Ltd.,
Exchange Bldg. ST-2/A, Block 9, KDA Scheme 5, Clifton,
KARACHI 75600, Tel. (021)587 4641-49,
Fax. (021)577035/5874546

Philippines: PHILIPS SEMICONDUCTORS PHILIPPINES Inc,
106 Valero St. Salcedo Village, P.O. Box 2108 MCC, MAKATI,
Metro MANILA, Tel. (02)810 0161, Fax. (02)817 3474

Portugal: PHILIPS PORTUGUESA, S.A.,
Rua dr. António Loureiro Borges 5, Arquiparque - Miraflores,
Apartado 300, 2795 LINDA-A-VELHA,
Tel. (01)4163160/4163333, Fax. (01)4163174/4163366

Singapore: Lorong 1, Toa Payoh, SINGAPORE 1231,
Tel. (65)350 2000, Fax. (65)251 6500

South Africa: S.A. PHILIPS Pty Ltd.,
195-215 Main Road Martindale, 2092 JOHANNESBURG,
P.O. Box 7430, Johannesburg 2000,
Tel. (011)470-5911, Fax. (011)470-5494.

Spain: Balmes 22, 08007 BARCELONA,
Tel. (03)301 6312, Fax. (03)301 42 43

Sweden: Kottbygatan 7, Akalla. S-164 85 STOCKHOLM,
Tel. (0)8-632 2000, Fax. (0)8-632 2745

Switzerland: Allmendstrasse 140, CH-8027 ZÜRICH,
Tel. (01)488 2211, Fax. (01)481 77 30

Taiwan: PHILIPS TAIWAN Ltd., 23-30F, 66, Chung Hsiao West
Road, Sec. 1. Taipei, Taiwan ROC, P.O. Box 22978,
TAIPEI 100, Tel. (02)388 7666, Fax. (02)382 4382

Thailand: PHILIPS ELECTRONICS (THAILAND) Ltd.,
209/2 Sanpavuth-Bangna Road Prakanong,
Bangkok 10260, THAILAND,
Tel. (662)398-0141, Fax. (662)398-3319

Turkey: Talatpasa Cad. No. 5, 80640 GÜLTEPE/ISTANBUL,
Tel. (0212)279 27 70, Fax. (0212)282 67 07

United Kingdom: Philips Semiconductors LTD.,
276 Bath Road, Hayes, MIDDLESEX UB3 5BX,
Tel. (0181)730-5000, Fax. (0181)754-8421

United States: 811 East Arques Avenue, SUNNYVALE,
CA 94088-3409, Tel. (800)234-7381, Fax. (708)296-8556

Uruguay: Coronel Mora 433, MONTEVIDEO,
Tel. (02)70-4044, Fax. (02)92 0601

Internet: <http://www.semiconductors.philips.com/ps/>

For all other countries apply to: Philips Semiconductors,
International Marketing and Sales, Building BE-p,
P.O. Box 218, 5600 MD EINDHOVEN, The Netherlands,
Telex 35000 phtcnl, Fax. +31-40-724825 (from 10-10-1995: +31-40-2724825)

SCD41 © Philips Electronics N.V. 1995

All rights are reserved. Reproduction in whole or in part is prohibited without the prior written consent of the copyright owner.

The information presented in this document does not form part of any quotation or contract, is believed to be accurate and reliable and may be changed without notice. No liability will be accepted by the publisher for any consequence of its use. Publication thereof does not convey nor imply any license under patent- or other industrial or intellectual property rights.

Printed in The Netherlands

413061/1500/02/pp16
Document order number:

Date of release: 1995 Jul 25
9397 750 00234