

**TDA7211A**

T-77-05-05

**LOW VOLTAGE FM FRONT END**

- LOW OSCILLATOR RADIATION
- OPERATING SUPPLY VOLTAGE: 1.3V TO 6V
- EXCELLENT GAIN STABILITY VS. SUPPLY VOLTAGE
- HIGH SIGNAL HANDLING
- FEW EXTERNAL COMPONENTS
- BUILT-IN VARICAP FOR AFC
- MINIDIP PACKAGE PERMITS RATIONAL LAYOUT AND LOW PROFILE
- COVERS JAPANESE, US AND EUROPEAN BANDS

player applications where a very low supply voltage is used and compactness is an important design consideration. It contains an RF amplifier, balanced mixer, one-pin local oscillator and a varicap diode for AFC. Very few external components are required. Mounted in a Minidip or SO-8 package, the TDA7211A is particularly suitable for slimline cassette-type radios.



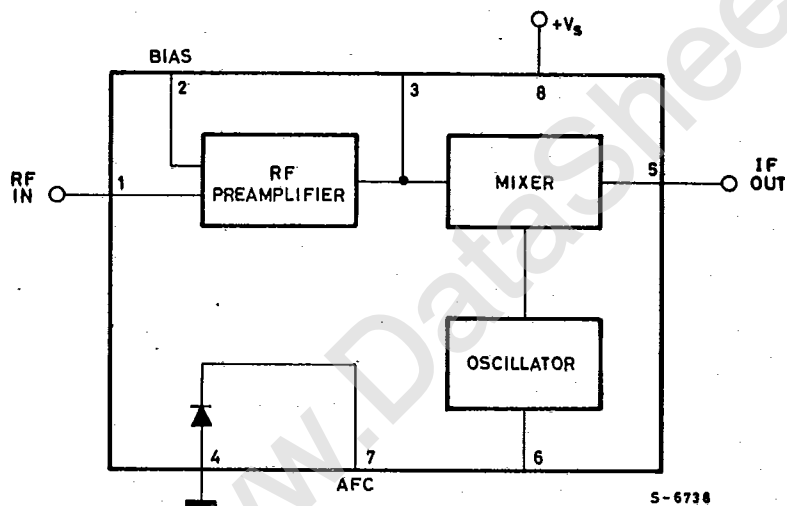
Minidip Plastic



SO-8

ORDERING NUMBER: TDA7211A (Minidip)  
 TDA7211D (SO-8)

The TDA7211A is a monolithic FM tuner suitable for portable radio and radio/cassette

**BLOCK DIAGRAM**

ABSOLUTE MAXIMUM RATINGS

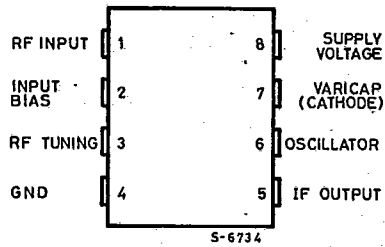
SGS-THOMSON

$V_s$	Supply voltage	7	V
$P_{tot}$	Total power dissipation at $T_{amb} < 70^\circ\text{C}$	400	mW
$T_{op}$	Operating temperature	-20 to 85	$^\circ\text{C}$
$T_{stg}, T_j$	Storage and junction temperature	-40 to 150	$^\circ\text{C}$

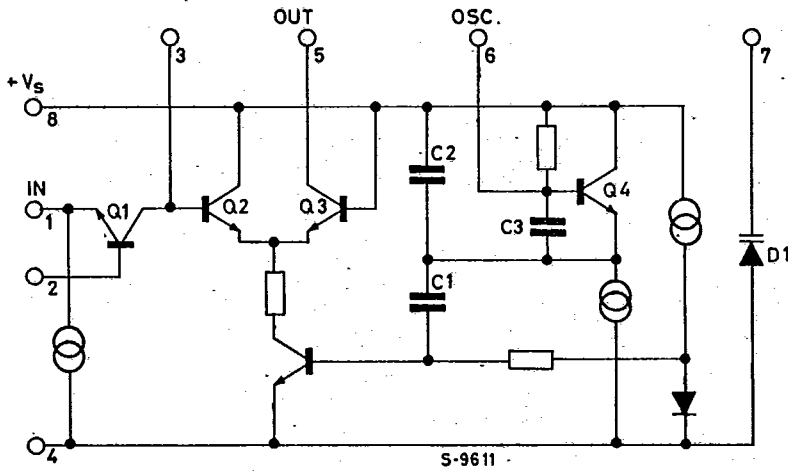
T-77-05-05

CONNECTION DIAGRAM

(Top view)



SCHEMATIC DIAGRAM



**THERMAL DATA**

**S G S-THOMSON**

$R_{thJ-amb}$	Thermal resistance junction-ambient	max	200	°C/W
---------------	-------------------------------------	-----	-----	------

T-77-05-05

**ELECTRICAL CHARACTERISTICS** ( $V_s = 3V$ , test circuit of fig. 1,  $T_{amb} = 25^\circ C$ , unless otherwise specified)

Parameter	Test conditions	Min.	Typ.	Max.	Unit
$V_s$ Supply voltage		1.3	3	6	V
$V_{osc}$ Local oscillator voltage				330	mV <sub>rms</sub>
$I_s$ Supply current	$V_s = 1.5$ to $4.5V$	2	3	4.5	mA
$C_{AFC}$ AFC diode capacitance	$V_{AFC} = 1V$		4		pF
$K(*)$ AFC diode variation	$V_{AFC} = 1$ to $3V$		0.24		
$G_c(**)$ Conversion gain	$V_s = 3V$ f = 83 MHz f = 98 MHz	25 25	34 34		dB
	$V_s = 1.6V$ f = 83 MHz f = 98 MHz		32 32		dB
$V_{STP}$ Local oscillator stop voltage			1.2		V

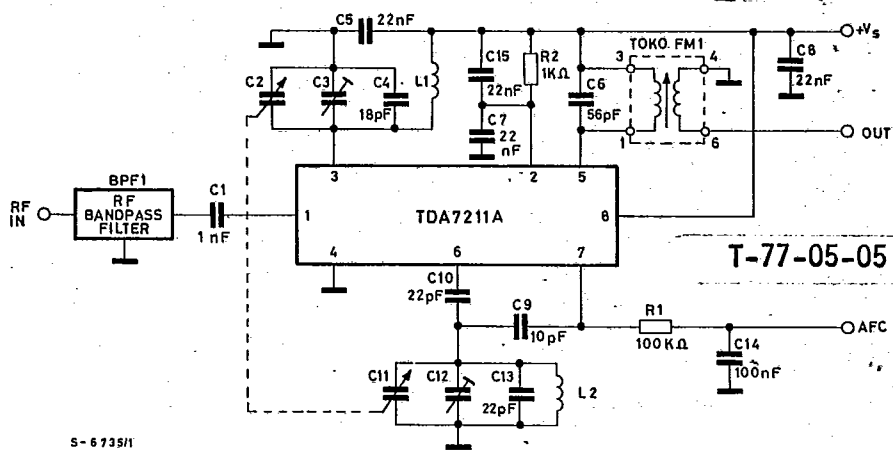
(\*)  $K = \frac{C(1V) - C(3V)}{C(3V)}$

(\*\*)  $R_I = 75\Omega$ ;  $R_L = 300\Omega$

**TYPICAL DC VOLTAGES** (test circuit)

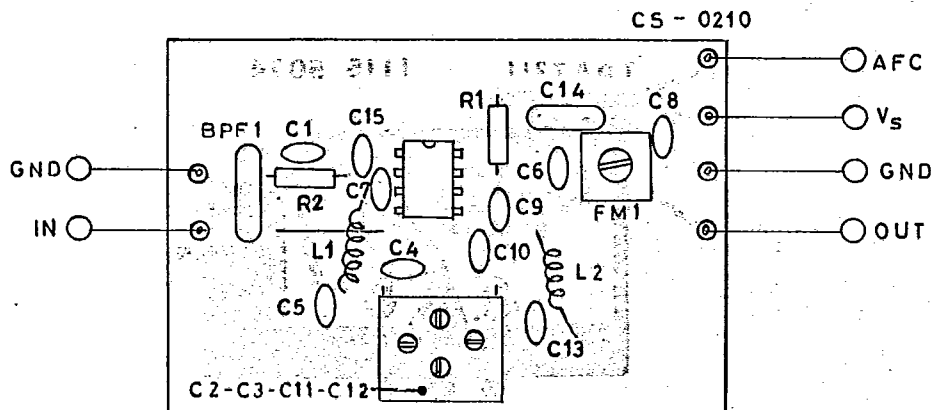
Pin	1	2	3	4	5	6	7	8
(V)	2.3	3	3	0	3	2.9	0	3

Fig. 1 - Test circuit



BPF1 = TAIYO YUDEN - B10861  
 $C_V = C2, C3, C11, C12 = 20 + 20 \text{ pF}$   
 $L1 = \text{RF coil} - 5 \text{ turns} - 0.6 \text{ mm}/4 \text{ mm}$   
 $L2 = \text{OSC. coil} - 4 \text{ turns} - 0.6 \text{ mm}/4 \text{ mm}$

Fig. 2 - P.C. board and components layout of the test circuit (1:1 scale)



APPLICATION INFORMATION

S G S-THOMSON

Fig. 3 - Typical application for portable AM/FM radio

T-77-05-05

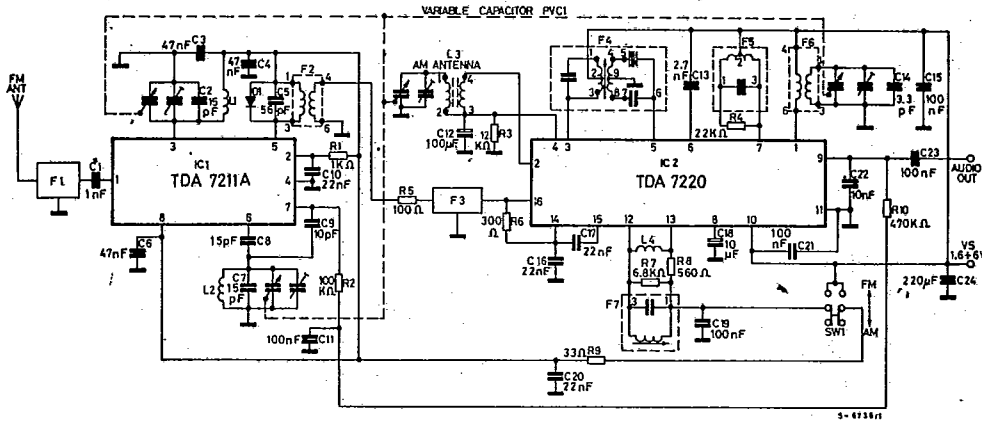
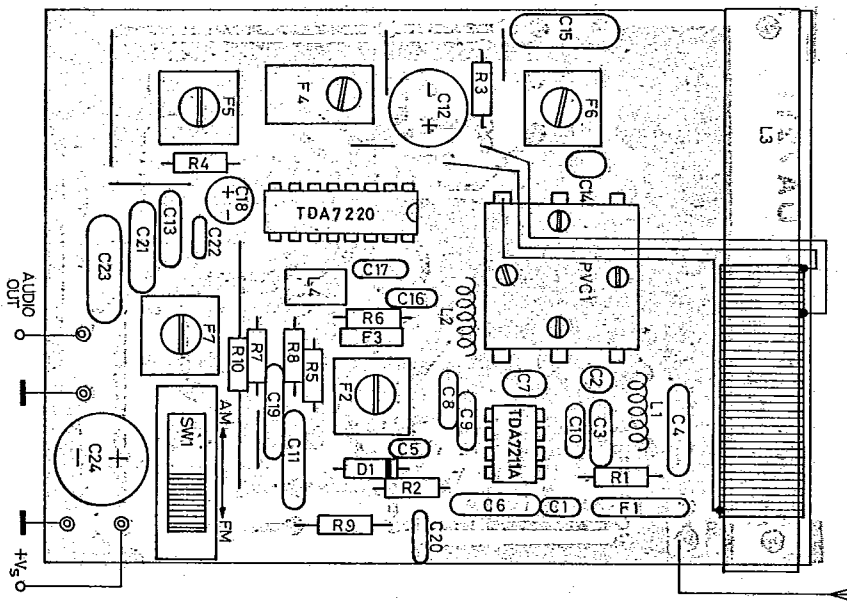


Fig. 4 - P.C. board and components layout of the circuit of fig. 3 (1:1 scale)

CS-0209/1



## APPLICATION INFORMATION (continued)

S G S-THOMSON

## PARTS LIST (Radioreceiver of fig. 3)

T-77-05-05

Code number	Value	Description
PVC 1	FM 20 pF x 2 AM 140/82 pF	TOKO POLYVARICON QT 22124
L1	$\phi$ 4 mm. - 5 T # 0.6 mm.	FM RF COIL
L2	$\phi$ 4 mm. - 4 T # 0.6 mm.	FM OSC. COIL
L3	600 $\mu$ H PRIMARY SEC. - 7 TURNS	AM ANT. COIL with ferrite bar $\phi$ 10 mm. x 80 mm.
L4	22 $\mu$ H INDUCTOR	TOKO 144LY - 220K
D1	AA 119	GE DIODE
F1	TAIYO YUDEN BPF10861K	FM BAND PASS FILTER
F2	TOKO FM1 - 154 AN - 7A5965R	FM IFT
F3	SFE 10.7 MA	CERAMIC FILTER
F4	TOKO CF2 455C	AM IFT WITH CERAMIC FILTER
F5	TOKO AM2 RLC - 4A7524EK	AM DET. COIL
F6	TOKO RWO - 6A6574N	AM OSC. COIL
F7	TOKO KACS - K586HM	FM DIS. COIL

## Typical performance of the radio receiver of fig. 3

Parameter		Test conditions		$V_s = 3V$	$V_s = 1.6V$
WAVEBANDS	FM			87 to 109 MHz	
	AM			523 to 1620 KHz	
SENSITIVITY	FM	S/N = 26 dB	$\Delta f = \pm 22.5$ KHz	1.8 $\mu$ V	2 $\mu$ V
	AM	S/N = 20 dB	$m = 0.3$	400 $\mu$ V	400 $\mu$ V
AUDIO SIGNAL OUT	FM	$\Delta f = \pm 22.5$ KHz		70 mV	55 mV
	AM	$V_i = 1$ mV/m	$m = 0.3$	80 mV	75 mV
DISTORTION ( $f_m = 1$ KHz)	FM	$V_i = 1$ mV	$\Delta f = \pm 22.5$ KHz	0.35%	0.5%
			$\Delta f = 75$ KHz	0.7%	0.75%
	AM	5 mV/m	$m = 0.3$	0.8%	0.8%
			100 mV/m	$m = 0.8$	2%
SIGNAL TO NOISE ( $f_m = 1$ KHz)	FM	$V_i = 1$ mV	$\Delta f = \pm 22.5$ KHz	50 dB	50 dB
	AM	$V_i = 1$ mV/m	$m = 0.3$	33 dB	32 dB
AMPLITUDE MODULATION REJECTION	FM	$V_i = 1$ mV	$\Delta f = 22.5$ KHz $m = 0.3$	32 dB	31 dB
TWEET	2nd H.	$f = 911$ KHz		1%	1%
	3rd H.	$f = 1370$ KHz		0.2%	0.2%
QUIESCENT CURRENT				13.5 mA	12.5 mA

## APPLICATION INFORMATION (continued)

S G S-THOMSON

## Inversion of "S" shaped curve in quadrature discriminators

In FM receivers, the frequency used for the local oscillator is usually greater than the receiving frequency.

Anyway, in some cases it may be required to work with a local oscillator showing a frequency lower than the frequency of the received signal. According to this choice, the "S" shaped curve of the discriminator is therefore either positive or negative (the output d.c. voltage either increases or decreases as the input frequency increases) and the varicap diode of the AFC will have to be referred either to ground or to a reference voltage. The additional reference voltage may be circuitally unsuitable, besides increasing the costs. In the case of circuits using the monolithic tuner TDA7211 (internal varicap diode, with a side already connected to ground) the things would get still more complicated.

To overcome the problem, figure 5 shows a

simple circuit solution to perform the inversion. The traditional diagram is shown in figure 6 for comparison.

This solution may be used with all the SGS-THOMSON radio circuits (TDA7220, TDA1220B, etc.) with performance equal to that achieved through the conventional circuitry.

In the diagram shown, the inversion of the curve is obtained through the replacement of the inductive reactance (normally  $22\ \mu\text{H}$ ) with a capacitance ( $12\ \text{pF}$ ) and the recovery of the d.c. voltages through L3.

L3, which is forced to resonance and strongly smoothed by R1, also performs the function of resistive load across the collector of the output transistor in IF limiter.

The described circuit doesn't modify the ease of calibration of the quadrature discriminators, makes the amplitude modulation rejection (AMR) more continuous and significantly reduces the harmonic radiation from the last limiter stage.

T-77-05-05

Fig. 5

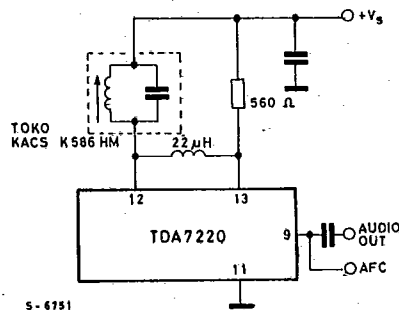


Fig. 6

