

DATA SHEET

TDA5142T Brushless DC motor drive circuit

Product specification
Supersedes data of March 1992
File under Integrated Circuits, IC11

June 1994

Philips Semiconductors



PHILIPS

Brushless DC motor drive circuit

TDA5142T

FEATURES

- Full-wave commutation without position sensors
- Built-in start-up circuitry
- Six outputs that can drive three external transistor pairs:
 - output current 0.2 A (typ.)
 - low saturation voltage
 - built-in current limiter
- Thermal protection
- Tacho output without extra sensor
- Transconductance amplifier for an external control transistor
- Motor brake facility.

APPLICATIONS

- High-power applications e.g.:
 - high-end hard disk drives
 - automotive.

GENERAL DESCRIPTION

The TDA5142T is a bipolar integrated circuit used to drive 3-phase brushless DC motors in full-wave mode. The device is sensorless (saving of 3 hall-sensors) using the back-EMF sensing technique to sense the rotor position. It includes a brake function and 6 pre-drivers able to control FETs or bipolar external transistors. It is ideally suited for high-power applications such as high-end hard disk drives, automotive and other applications.

QUICK REFERENCE DATA

Measured over full voltage and temperature range.

SYMBOL	PARAMETER	CONDITIONS	MIN.	TYP.	MAX.	UNIT
V_P	supply voltage	note 1	4	–	18	V
V_{VMOT}	input voltage to the output driver stages		3	–	18	V
V_O	driver output voltage	$I_O = 100$ mA; lower transistor	–	–	0.35	V
		$I_O = 100$ mA; upper transistor	1.05	–	–	V
I_{LIM}	current limiting	$V_{VMOT} = 14.5$ V; $R_O = 47$ Ω	150	200	250	mA

Note

1. An unstabilized supply can be used.

ORDERING INFORMATION

TYPE NUMBER	PACKAGE			
	PINS	PIN POSITION	MATERIAL	CODE
TDA5142T	24	SOL	plastic	SOT137-1

Brushless DC motor drive circuit

TDA5142T

BLOCK DIAGRAM

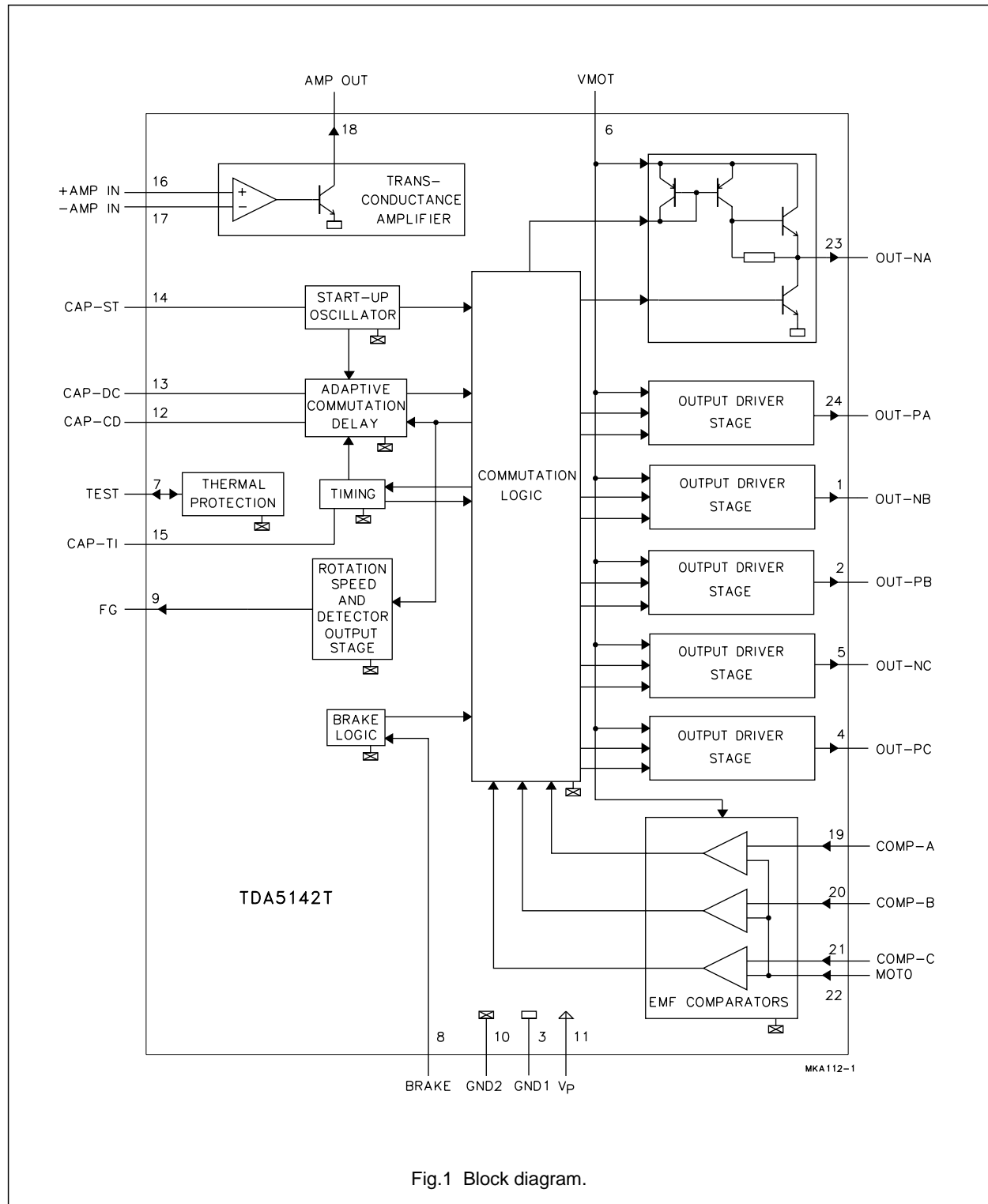


Fig.1 Block diagram.

Brushless DC motor drive circuit

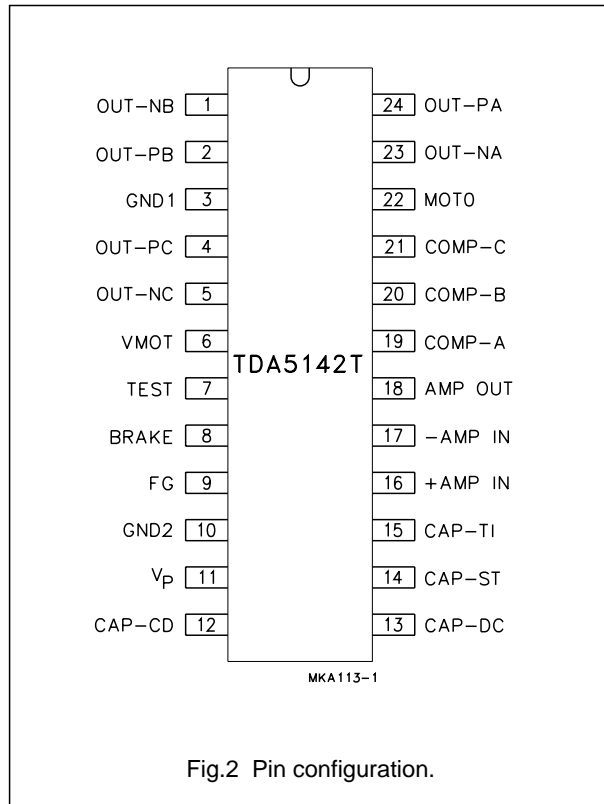
TDA5142T

PINNING

SYMBOL	PIN	DESCRIPTION
OUT-NB	1	driver output B for driving the n-channel power FET or power NPN
OUT-PB	2	driver output B for driving the n-channel power FET or power PNP
GND1	3	ground (0 V) motor supply return for output stages
OUT-PC	4	driver output C for driving the n-channel power FET or power PNP
OUT-NC	5	driver output C for driving the n-channel power FET or power NPN
VMOT	6	input voltage for the output driver stages
TEST	7	test input/output
BRAKE	8	brake input
FG	9	frequency generator: output of the rotation speed detector stage
GND2	10	ground supply return for control circuits
V _P	11	supply voltage
CAP-CD	12	external capacitor connection for adaptive communication delay timing
CAP-DC	13	external capacitor connection for adaptive communication delay timing copy
CAP-ST	14	external capacitor connection for start-up oscillator
CAP-TI	15	external capacitor connection for timing
+AMP IN	16	non-inverting input of the transconductance amplifier
-AMP IN	17	inverting input of the transconductance amplifier
AMP OUT	18	transconductance amplifier output (open collector)
COMP-A	19	comparator input corresponding to output A
COMP-B	20	comparator input corresponding to output B
COMP-C	21	comparator input corresponding to output C
MOT0	22	input from the star point of the motor coils
OUT-NA	23	driver output A for driving the n-channel power FET or power NPN
OUT-PA	24	driver output A for driving the n-channel power FET or power PNP

Brushless DC motor drive circuit

TDA5142T



FUNCTIONAL DESCRIPTION

The TDA5142T offers a sensorless three phase motor drive function. It is unique in its combination of sensorless motor drive and full-wave drive. The TDA5142T offers protected outputs capable of driving external power FETs or bipolar power transistors. It can easily be adapted for different motors and applications. The TDA5142T offers the following features:

- Sensorless commutation by using the motor EMF.
- Built-in start-up circuit.
- Optimum commutation, independent of motor type or motor loading.
- Six output drivers.
- Maximum output current 0.25 A.
- Outputs protected by current limiting and thermal protection.
- Low current consumption.
- Accurate frequency generator (FG) by using the motor EMF.
- Brake function.
- Uncommitted operational transconductance amplifier (OTA), with a high output current, for use as a control amplifier or as a level shifter in a Switched Mode Power Supply (SMPS) drive.

LIMITING VALUES

In accordance with the Absolute Maximum Rating System (IEC 134).

SYMBOL	PARAMETER	CONDITIONS	MIN.	MAX.	UNIT
V_P	supply voltage		4	18	V
V_I	input voltage; all pins except VMOT	$V_I < 18\text{ V}$	-0.3	$V_P + 0.5$	V
V_{VMOT}	VMOT input voltage		3	18	V
V_O	output voltage				
	FG		GND	V_P	V
	AMP OUT		-	18	V
	OUT-NA, OUT-NB and OUT-NC		-	$V_{VMOT} - 0.9$	V
	OUT-PA, OUT-PB and OUT-PC		0.2	-	V
V_I	input voltage CAP-ST, CAP-TI, CAP-CD and CAP-DC		-	2.5	V
T_{stg}	storage temperature		-55	+150	°C
T_{amb}	operating ambient temperature		0	+70	°C
P_{tot}	total power dissipation	see Fig.3	-	-	W
V_{es}	electrostatic handling	see Chapter "Handling"	-	500	V

Brushless DC motor drive circuit

TDA5142T

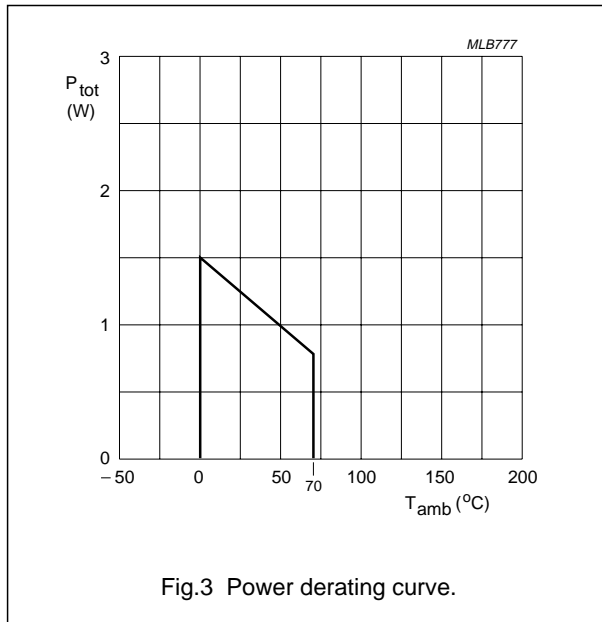


Fig.3 Power derating curve.

HANDLING

Every pin withstands the ESD test according to "MIL-STD-883C class 2". Method 3015 (HBM 1500 Ω , 100 pF) 3 pulses + and 3 pulses - on each pin referenced to ground.

CHARACTERISTICS

$V_P = 14.5$ V; $T_{amb} = 25$ °C; unless otherwise specified.

SYMBOL	PARAMETER	CONDITIONS	MIN.	TYP.	MAX.	UNIT
Supply						
V_P	supply voltage	note 1	4	-	18	V
I_P	supply current	note 2	-	5.2	6.25	mA
V_{VMOT}	input voltage to the output driver stages	see Fig.1	3	-	18	V
Thermal protection						
T_{SD}	local temperature at temperature sensor causing shut-down		130	140	150	°C
ΔT	reduction in temperature before switch-on	after shut-down	-	$T_{SD} - 30$	-	K
COMP-A, COMP-B, COMP-C and MOT0						
V_I	input voltage		-0.5	-	V_{VMOT}	V
I_I	input bias current	0.5 V < V_I < $V_{VMOT} - 1.5$ V	-10	-	0	μ A
V_{CSW}	comparator switching level	note 3	± 20	± 25	± 30	mV
ΔV_{CSW}	variation in comparator switching levels		-3	0	+3	mV
V_{hys}	comparator input hysteresis		-	75	-	μ V

Brushless DC motor drive circuit

TDA5142T

SYMBOL	PARAMETER	CONDITIONS	MIN.	TYP.	MAX.	UNIT
OUT-NA, OUT-NB, OUT-NC, OUT-PA, OUT-PB and OUT-PC						
V _{O-n}	n-channel driver output voltage	upper transistor; I _O = -100 mA	-1.05	-	-	V
		lower transistor; I _O = 10 mA	-	-	0.35	V
V _{O-p}	p-channel driver output voltage	upper transistor; I _O = -10 mA	-1.05	-	-	V
		lower transistor; I _O = 100 mA	-	-	0.35	V
ΔV _{OL}	variation in saturation voltage between lower transistors	I _O = 100 mA	-	-	180	mV
ΔV _{OH}	variation in saturation voltage between upper transistors	I _O = -100 mA	-	-	180	mV
I _{LIM}	current limiting	V _{VMOT} = 14.5 V; R _O = 47 Ω	150	200	250	mA
+AMP IN and -AMP IN						
V _I	input voltage		-0.3	-	V _P - 1.7	V
	differential mode voltage without 'latch-up'		-	-	±V _P	V
I _b	input bias current		-	-	650	nA
C _I	input capacitance		-	4	-	pF
V _{offset}	input offset voltage		-	-	10	mV
AMP OUT (open collector)						
I _{sink}	output sink current		40	-	-	mA
V _{sat}	saturation voltage	I _I = 40 mA	-	1.5	2.1	V
V _O	output voltage		-0.5	-	+18	V
SR	slew rate	R _L = 330 Ω; C _L = 50 pF	40	-	-	mA/μs
G _{tr}	transfer gain		0.3	-	-	S
BRAKE						
V _{BM}	brake-mode voltage	enable brake mode; 4 V < V _P < 18 V		-	2.3	V
		normal mode; 4 V < V _P < 18 V	2.7	-		V
I _I	input current	brake mode	-	-20	-30	μA
		normal mode	-	0	20	μA

Brushless DC motor drive circuit

TDA5142T

SYMBOL	PARAMETER	CONDITIONS	MIN.	TYP.	MAX.	UNIT
FG (push-pull)						
V_{OL}	LOW level output voltage	$I_O = 1.6 \text{ mA}$	–	–	0.4	V
V_{OH}	HIGH level output voltage	$I_O = -60 \text{ } \mu\text{A}$		$V_P - 0.3$	–	V
t_{THL}	HIGH-to-LOW transition time	$C_L = 50 \text{ pF}; R_L = 10 \text{ k}\Omega$	–	0.5	–	μs
	ratio of FG frequency and commutation frequency		–	1	–	
CAP-ST						
I_{sink}	output sink current		1.5	2.0	2.5	μA
I_{source}	output source current		–2.5	–2.0	–1.5	μA
V_{SWL}	LOW level switching voltage		–	0.20	–	V
V_{SWH}	HIGH level switching voltage		–	2.20	–	V
CAP-TI						
I_{sink}	output sink current		–	28	–	μA
I_{source}	output source current	$0.2 \text{ V} < V_{CAP-TI} < 0.3 \text{ V}$	–	–57	–	μA
		$0.3 \text{ V} < V_{CAP-TI} < 2.2 \text{ V}$	–	–5	–	μA
V_{SWL}	LOW level switching voltage		–	50	–	mV
V_{SWM}	MIDDLE level switching voltage		–	0.30	–	V
V_{SWH}	HIGH level switching voltage		–	2.20	–	V
CAP-CD						
I_{sink}	output sink current		10.6	16.2	22	μA
I_{source}	output source current		–5.3	–8.1	–11	μA
I_{sink}/I_{source}	ratio of sink to source current		1.85	2.05	2.25	
V_{IL}	LOW level input voltage		850	875	900	mV
V_{IH}	HIGH level input voltage		2.3	–	2.5	V
CAP-DC						
I_{sink}	output sink current		10.1	15.5	20.9	μA
I_{source}	output source current		–20.9	–15.5	–10.1	μA
I_{sink}/I_{source}	ratio of sink to source current		0.9	1.025	1.15	
V_{IL}	LOW level input voltage		850	875	900	mV
V_{IH}	HIGH level input voltage		2.3	–	2.5	V

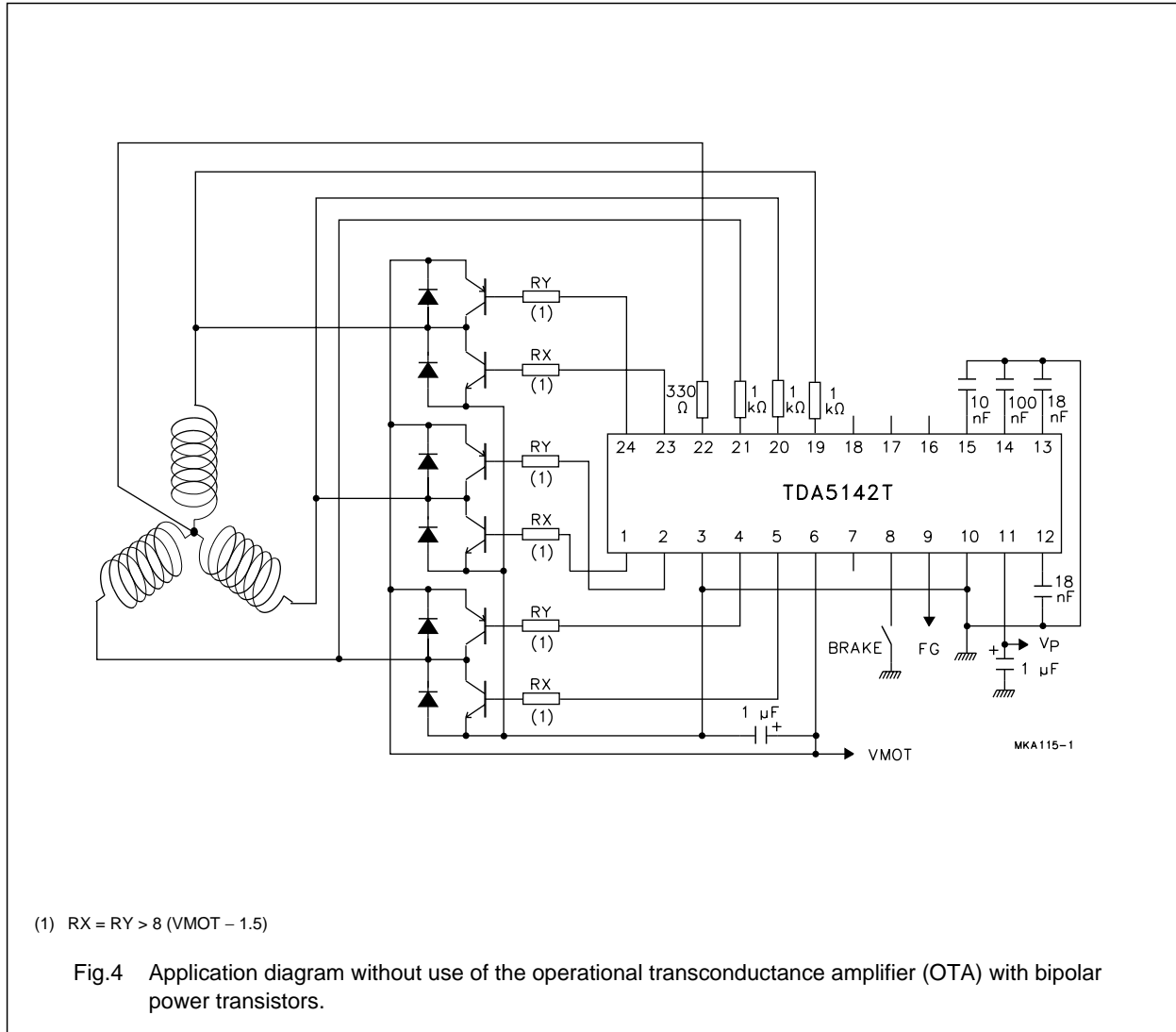
Notes

1. An unstabilized supply can be used.
2. $V_{MOT} = V_P$, all other inputs at 0 V; all outputs at V_P ; $I_O = 0 \text{ mA}$.
3. Switching levels with respect to driver outputs OUT-NA, OUT-NB, OUT-NC, OUT-PA, OUT-PB and OUT-PC.

Brushless DC motor drive circuit

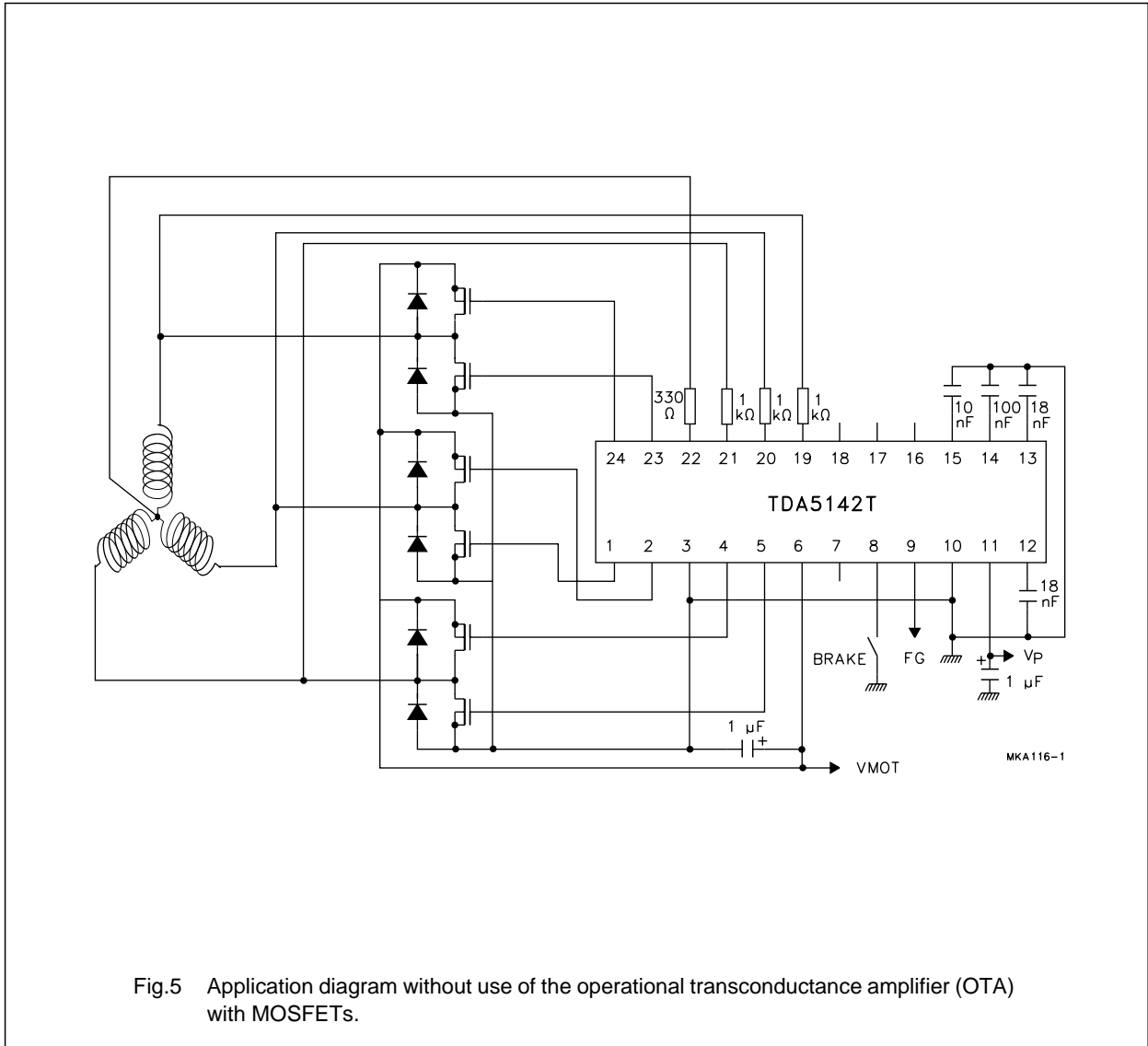
TDA5142T

APPLICATION INFORMATION



Brushless DC motor drive circuit

TDA5142T



Brushless DC motor drive circuit

TDA5142T

Introduction (see Fig.6)

Full-wave driving of a three phase motor requires three push-pull output stages. In each of the six possible states two outputs are active, one sourcing (H) and one sinking (L). The third output presents a high impedance (Z) to the motor, which enables measurement of the motor back-EMF in the corresponding motor coil by the EMF comparator at each output. The commutation logic is responsible for control of the output transistors and selection of the correct EMF comparator. In Table 1 the sequence of the six possible states of the external connected output transistors has been depicted and the corresponding output levels on the NA, PA, NB, PB, NC and PC outputs of the TDA5142T.

The zero-crossing in the motor EMF (detected by the comparator selected by the commutation logic) is used to calculate the correct moment for the next commutation, that is, the change to the next output state. The delay is calculated (depending on the motor loading) by the adaptive commutation delay block.

The output stages are also protected by a current limiting circuit and by thermal protection.

The detected zero-crossings are used to provide speed information. The information has been made available on the FG output pin. This output provides an output signal with a frequency equal to the commutation frequency.

The system will only function when the EMF voltage from the motor is present. Therefore, a start oscillator is provided that will generate commutation pulses when no zero-crossings in the motor voltage are available.

A timing function is incorporated into the device for internal timing and for timing of the reverse rotation detection.

The TDA5142T also contains an uncommitted transconductance amplifier (OTA) that can be used as a control amplifier. The output is capable of directly driving an external power transistor.

The TDA5142T is designed for systems with low current consumption: use of I²L logic, adaptive base drive for the output transistors (patented).

Adjustments

The system has been designed in such a way that the tolerances of the application components are not critical. However, the approximate values of the following components must still be determined:

- The start capacitor; this determines the frequency of the start oscillator.
- The two capacitors in the adaptive commutation delay circuit; these are important in determining the optimum moment for commutation, depending on the type and loading of the motor.
- The timing capacitor; this provides the system with its timing signals.

THE START CAPACITOR (CAP-ST)

This capacitor determines the frequency of the start oscillator. It is charged and discharged, with a current of 2 μ A, from 0.05 to 2.2 V and back to 0.05 V. The time taken to complete one cycle is given by:

$$t_{\text{start}} = (2.15 \times C) \text{ s (with C in } \mu\text{F)}$$

The start oscillator is reset by a commutation pulse and so is only active when the system is in the start-up mode. A pulse from the start oscillator will cause the outputs to change to the next state (torque in the motor).

Table 1 Output states.

STATE	MOT1 ⁽¹⁾	OUT-NA ⁽¹⁾	OUT-PA ⁽¹⁾	MOT2 ⁽¹⁾	OUT-NB ⁽¹⁾	OUT-PB ⁽¹⁾	MOT3 ⁽¹⁾	OUT-NC ⁽¹⁾	OUT-PC ⁽¹⁾
1	Z	L	H	L	H	H	H	L	L
2	H	L	L	L	H	H	Z	L	H
3	H	L	L	Z	L	H	L	H	H
4	Z	L	H	H	L	L	L	H	H
5	L	H	H	H	L	L	Z	L	H
6	L	H	H	Z	L	H	H	L	L

Note

1. H = HIGH state; L = LOW state; Z = high-impedance OFF-state.

Brushless DC motor drive circuit

TDA5142T

If the movement of the motor generates enough EMF the TDA5142T will run the motor. If the amount of EMF generated is insufficient, then the motor will move one step only and will oscillate in its new position. The amplitude of the oscillation must decrease sufficiently before the arrival of the next start pulse, to prevent the pulse arriving during the wrong phase of the oscillation. The oscillation of the motor is given by:

$$f_{osc} = \frac{1}{2\pi \sqrt{\frac{K_t \times I \times p}{J}}}$$

where:

K_t = torque constant (N.m/A)

I = current (A)

p = number of magnetic pole-pairs

J = inertia J (kg.m²).

Example: $J = 72 \times 10^{-6}$ kg.m², $K = 25 \times 10^{-3}$ N.m/A, $p = 6$ and $I = 0.5$ A; this gives $f_{osc} = 5$ Hz. If the damping is high then a start frequency of 2 Hz can be chosen or $t = 500$ ms, thus $C = 0.5/2 = 0.25$ μ F (choose 220 nF).

THE ADAPTIVE COMMUTATION DELAY (CAP-CD AND CAP-DC)

In this circuit capacitor CAP-CD is charged during one commutation period, with an interruption of the charging current during the diode pulse. During the next commutation period this capacitor (CAP-CD) is discharged at twice the charging current. The charging current is 8.1 μ A and the discharging current 16.2 μ A; the voltage range is from 0.9 to 2.2 V. The voltage must stay within this range at the lowest commutation frequency of interest, f_{C1} :

$$C = \frac{8.1 \times 10^{-6}}{f \times 1.3} = \frac{6231}{f_{C1}} \quad (\text{C in nF})$$

If the frequency is lower, then a constant commutation delay after the zero-crossing is generated by the discharge from 2.2 to 0.9 V at 20 μ A;
maximum delay = $(0.076 \times C)$ ms (with C in nF)

Example: nominal commutation frequency = 900 Hz and the lowest usable frequency = 400 Hz; so:

$$\text{CAP-CD} = \frac{6231}{400} = 15.6 \quad (\text{choose 18 nF})$$

The other capacitor, CAP-DC, is used to repeat the same delay by charging and discharging with 15.5 μ A. The same value can be chosen as for CAP-CD. Figure 7 illustrates typical voltage waveforms.

Brushless DC motor drive circuit

TDA5142T

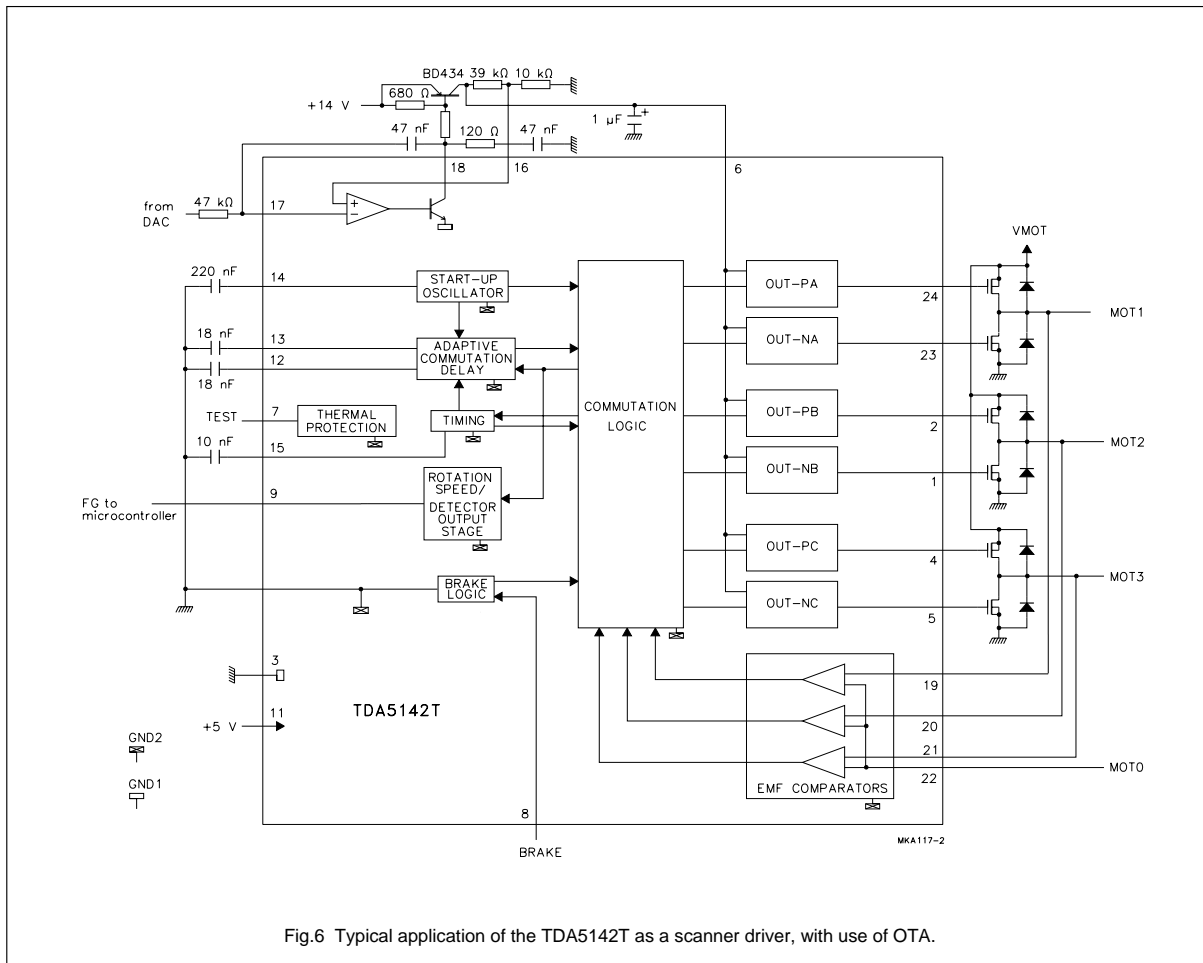


Fig.6 Typical application of the TDA5142T as a scanner driver, with use of OTA.

Brushless DC motor drive circuit

TDA5142T

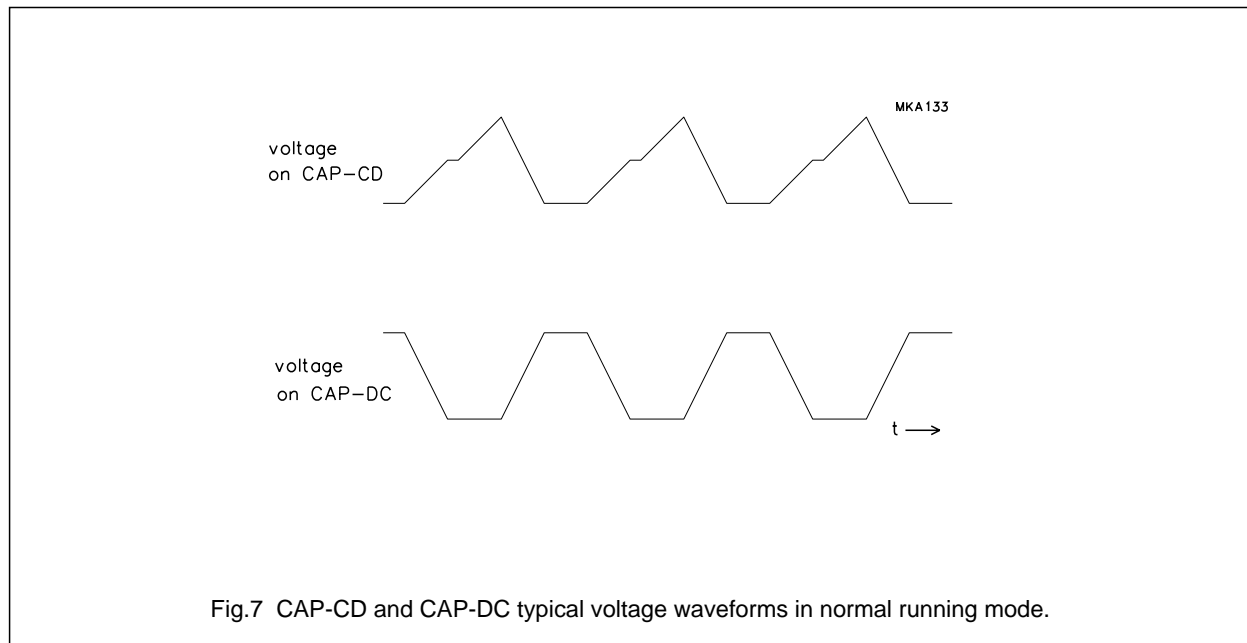


Fig.7 CAP-CD and CAP-DC typical voltage waveforms in normal running mode.

THE TIMING CAPACITOR (CAP-TI)

Capacitor CAP-TI is used for timing the successive steps within one commutation period; these steps include some internal delays.

The most important function is the watchdog time in which the motor EMF has to recover from a negative diode-pulse back to a positive EMF voltage (or vice versa). A watchdog timer is a guarding function that only becomes active when the expected event does not occur within a predetermined time.

The EMF usually recovers within a short time if the motor is running normally (\ll ms). However, if the motor is motionless or rotating in the reverse direction, then the time can be longer (\gg ms).

A watchdog time must be chosen so that it is long enough for a motor without EMF (still) and eddy currents that may stretch the voltage in a motor winding; however, it must be short enough to detect reverse rotation. If the watchdog

time is made too long, then the motor may run in the wrong direction (with little torque).

The capacitor is charged, with a current of $57 \mu\text{A}$, from 0.2 to 0.3 V. Above this level it is charged, with a current of $5 \mu\text{A}$, up to 2.2 V only if the selected motor EMF remains in the wrong polarity (watchdog function). At the end, or, if the motor voltage becomes positive, the capacitor is discharged with a current of $28 \mu\text{A}$. The watchdog time is the time taken to charge the capacitor, with a current of $5 \mu\text{A}$, from 0.3 to 2.2 V.

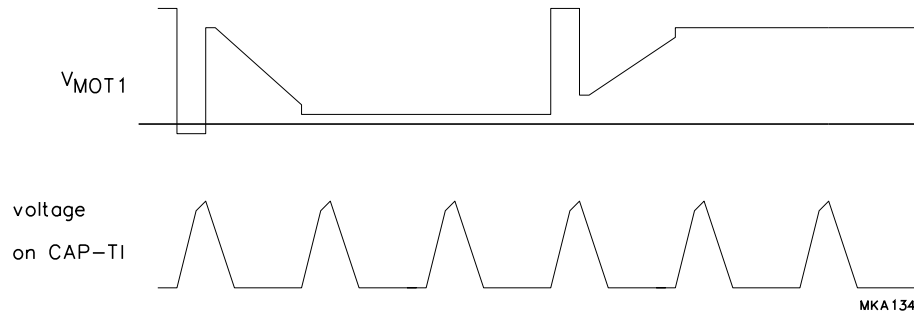
To ensure that the internal delays are covered CAP-TI must have a minimum value of 2 nF. For the watchdog function a value for CAP-TI of 10 nF is recommended.

To ensure a good start-up and commutation, care must be taken that no oscillations occur at the trailing edge of the flyback pulse. Snubber networks at the outputs should be critically damped.

Typical voltage waveforms are illustrated by Fig.8.

Brushless DC motor drive circuit

TDA5142T



If the chosen value of CAP-TI is too small oscillations can occur in certain positions of a blocked rotor. If the chosen value is too large, then it is possible that the motor may run in the reverse direction (synchronously with little torque).

Fig.8 Typical CAP-TI and V_{MOT1} voltage waveforms in normal running mode.

Other design aspects

There are other design aspects concerning the application of the TDA5142T besides the commutation function. They are:

- Generation of the tachometer signal FG
- General purpose operational transconductance amplifier (OTA)
- Possibilities of motor control
- Brake function
- Reliability.

FG SIGNAL

The FG signal is generated in the TDA5142T by using the zero-crossing of the motor EMF from the three motor windings and the commutation signal.

Output FG switches from HIGH-to-LOW on all zero crossings and from LOW-to-HIGH on all commutations. Output FG can source typically 75 μ A and sink more than 3 mA.

Example: a 3-phase motor with 6 magnetic pole-pairs at 1500 rpm and with a full-wave drive has a commutation frequency of $25 \times 6 \times 6 = 900$ Hz, and generates a tachometer signal of 900 Hz.

THE OPERATIONAL TRANSCONDUCTANCE AMPLIFIER (OTA)

The OTA is an uncommitted amplifier with a high output current (40 mA) that can be used as a control amplifier. The common mode input range includes ground (GND) and rises to $V_P - 1.7$ V. The high sink current enables the OTA to drive a power transistor directly in an analog control amplifier.

Although the gain is not extremely high (0.3 S), care must be taken with the stability of the circuit if the OTA is used as a linear amplifier as no frequency compensation has been provided.

The convention for the inputs (inverting or not) is the same as for a normal operational amplifier: with a resistor (as load) connected from the output (AMP OUT) to the positive supply, a positive-going voltage is found when the non-inverting input (+AMP IN) is positive with respect to the inverting input (-AMP IN). Confusion is possible because a 'plus' input causes less current, and so a positive voltage.

MOTOR CONTROL

DC motors can be controlled in an analog manner using the OTA.

For the analog control an external transistor is required. The OTA can supply the base current for this transistor and act as a control amplifier (see Fig.6).

Brushless DC motor drive circuit

TDA5142T

BRAKE FUNCTION

- If the voltage on pin 8 is $<2.3\text{ V}$ the motor brakes; in this condition the external outputs are driven to a HIGH voltage level.
- If pin 8 is floating or the voltage is $>2.7\text{ V}$ the motor runs normally.

RELIABILITY

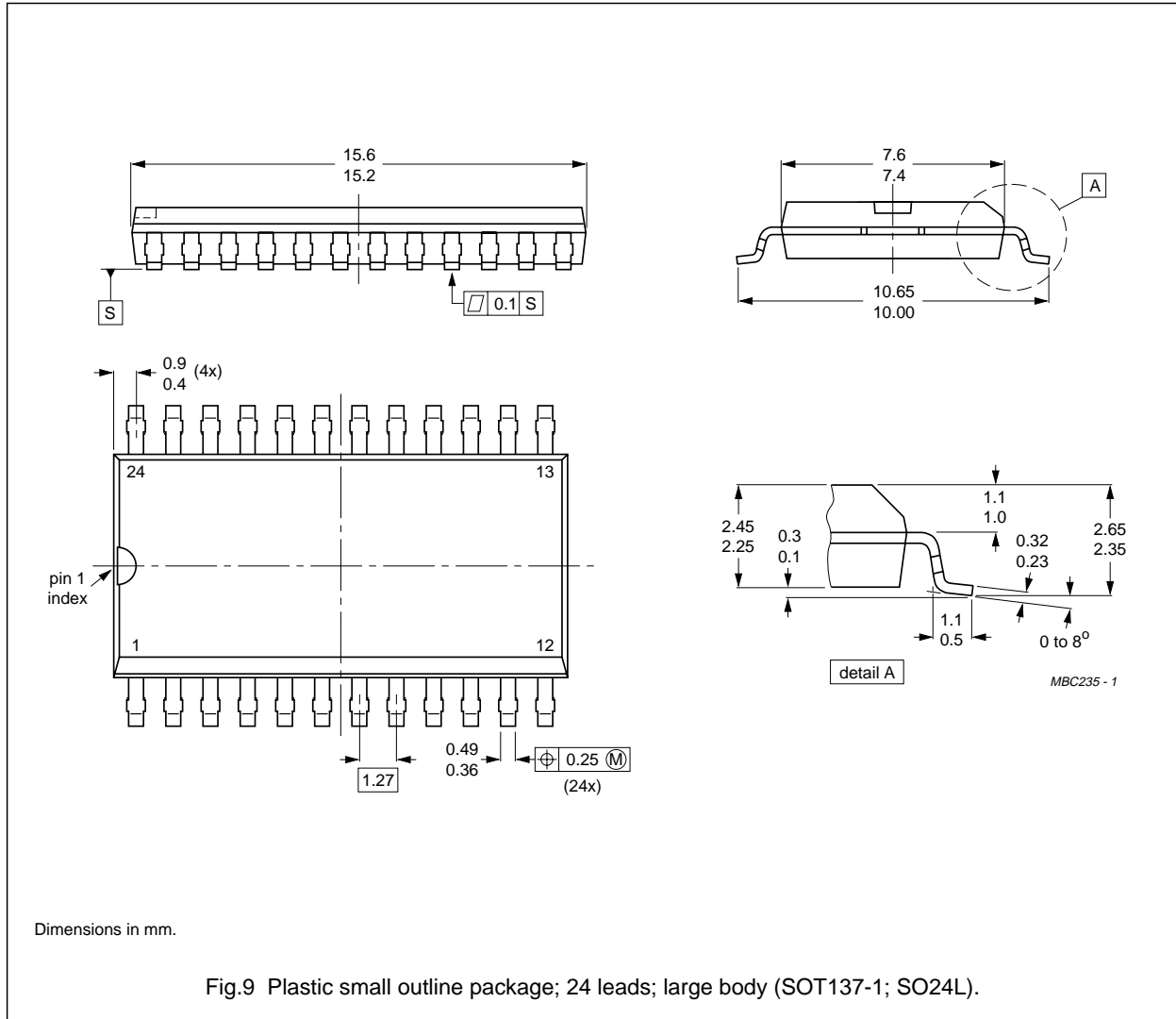
It is necessary to protect high current circuits and the output stages are protected in two ways:

- Current limiting of the 'lower' output transistors. The 'upper' output transistors use the same base current as the conducting 'lower' transistor (+15%). This means that the current to and from the output stages is limited.
- Thermal protection of the six output transistors is achieved in such a way that the transistors are switched off when the local temperature becomes too high.

Brushless DC motor drive circuit

TDA5142T

PACKAGE OUTLINE



Brushless DC motor drive circuit

TDA5142T

SOLDERING

Plastic small-outline packages

BY WAVE

During placement and before soldering, the component must be fixed with a droplet of adhesive. After curing the adhesive, the component can be soldered. The adhesive can be applied by screen printing, pin transfer or syringe dispensing.

Maximum permissible solder temperature is 260 °C, and maximum duration of package immersion in solder bath is 10 s, if allowed to cool to less than 150 °C within 6 s. Typical dwell time is 4 s at 250 °C.

A modified wave soldering technique is recommended using two solder waves (dual-wave), in which a turbulent wave with high upward pressure is followed by a smooth laminar wave. Using a mildly-activated flux eliminates the need for removal of corrosive residues in most applications.

BY SOLDER PASTE REFLOW

Reflow soldering requires the solder paste (a suspension of fine solder particles, flux and binding agent) to be

applied to the substrate by screen printing, stencilling or pressure-syringe dispensing before device placement.

Several techniques exist for reflowing; for example, thermal conduction by heated belt, infrared, and vapour-phase reflow. Dwell times vary between 50 and 300 s according to method. Typical reflow temperatures range from 215 to 250 °C.

Preheating is necessary to dry the paste and evaporate the binding agent. Preheating duration: 45 min at 45 °C.

REPAIRING SOLDERED JOINTS (BY HAND-HELD SOLDERING IRON OR PULSE-HEATED SOLDER TOOL)

Fix the component by first soldering two, diagonally opposite, end pins. Apply the heating tool to the flat part of the pin only. Contact time must be limited to 10 s at up to 300 °C. When using proper tools, all other pins can be soldered in one operation within 2 to 5 s at between 270 and 320 °C. (Pulse-heated soldering is not recommended for SO packages.)

For pulse-heated solder tool (resistance) soldering of VSO packages, solder is applied to the substrate by dipping or by an extra thick tin/lead plating before package placement.

DEFINITIONS

Data sheet status	
Objective specification	This data sheet contains target or goal specifications for product development.
Preliminary specification	This data sheet contains preliminary data; supplementary data may be published later.
Product specification	This data sheet contains final product specifications.
Limiting values	
Limiting values given are in accordance with the Absolute Maximum Rating System (IEC 134). Stress above one or more of the limiting values may cause permanent damage to the device. These are stress ratings only and operation of the device at these or at any other conditions above those given in the Characteristics sections of the specification is not implied. Exposure to limiting values for extended periods may affect device reliability.	
Application information	
Where application information is given, it is advisory and does not form part of the specification.	

LIFE SUPPORT APPLICATIONS

These products are not designed for use in life support appliances, devices, or systems where malfunction of these products can reasonably be expected to result in personal injury. Philips customers using or selling these products for use in such applications do so at their own risk and agree to fully indemnify Philips for any damages resulting from such improper use or sale.

Brushless DC motor drive circuit

TDA5142T

NOTES

Philips Semiconductors – a worldwide company

- Argentina:** IEROD, Av. Juramento 1992 - 14.b, (1428)
BUENOS AIRES, Tel. (541)786 7633, Fax. (541)786 9367
- Australia:** 34 Waterloo Road, NORTH RYDE, NSW 2113,
Tel. (02)805 4455, Fax. (02)805 4466
- Austria:** Triester Str. 64, A-1101 WIEN, P.O. Box 213,
Tel. (01)60 101-1236, Fax. (01)60 101-1211
- Belgium:** Postbus 90050, 5600 PB EINDHOVEN, The Netherlands,
Tel. (31)40 783 749, Fax. (31)40 788 399
- Brazil:** Rua do Rocio 220 - 5th floor, Suite 51,
CEP: 04552-903-SÃO PAULO-SP, Brazil.
P.O. Box 7383 (01064-970).
Tel. (011)821-2327, Fax. (011)829-1849
- Canada:** INTEGRATED CIRCUITS:
Tel. (800)234-7381, Fax. (708)296-8556
DISCRETE SEMICONDUCTORS: 601 Milner Ave,
SCARBOROUGH, ONTARIO, M1B 1M8,
Tel. (0416)292 5161 ext. 2336, Fax. (0416)292 4477
- Chile:** Av. Santa Maria 0760, SANTIAGO,
Tel. (02)773 816, Fax. (02)777 6730
- Colombia:** IPRELENTO LTDA, Carrera 21 No. 56-17,
77621 BOGOTA, Tel. (571)249 7624/(571)217 4609,
Fax. (571)217 4549
- Denmark:** Prags Boulevard 80, PB 1919, DK-2300 COPENHAGEN S,
Tel. (032)88 2636, Fax. (031)57 1949
- Finland:** Sinikalliontie 3, FIN-02630 ESPOO,
Tel. (9)0-50261, Fax. (9)0-520971
- France:** 4 Rue du Port-aux-Vins, BP317,
92156 SURESNES Cedex,
Tel. (01)4099 6161, Fax. (01)4099 6427
- Germany:** PHILIPS COMPONENTS UB der Philips G.m.b.H.,
P.O. Box 10 63 23, 20043 HAMBURG,
Tel. (040)3296-0, Fax. (040)3296 213.
- Greece:** No. 15, 25th March Street, GR 17778 TAVROS,
Tel. (01)4894 339/4894 911, Fax. (01)4814 240
- Hong Kong:** PHILIPS HONG KONG Ltd., Components Div.,
6/F Philips Ind. Bldg., 24-28 Kung Yip St., KWAI CHUNG, N.T.,
Tel. (852)424 5121, Fax. (852)428 6729
- India:** Philips INDIA Ltd, Components Dept,
Shivsagar Estate, A Block,
Dr. Annie Besant Rd. Worli, Bombay 400 018
Tel. (022)4938 541, Fax. (022)4938 722
- Indonesia:** Philips House, Jalan H.R. Rasuna Said Kav. 3-4,
P.O. Box 4252, JAKARTA 12950,
Tel. (021)5201 122, Fax. (021)5205 189
- Ireland:** Newstead, Clonskeagh, DUBLIN 14,
Tel. (01)640 000, Fax. (01)640 200
- Italy:** PHILIPS COMPONENTS S.r.l.,
Viale F. Testi, 327, 20162 MILANO,
Tel. (02)6752.3302, Fax. (02)6752 3300.
- Japan:** Philips Bldg 13-37, Kohnan2-chome, Minato-ku, TOKYO 108,
Tel. (03)3740 5028, Fax. (03)3740 0580
- Korea:** (Republic of) Philips House, 260-199 Itaewon-dong,
Yongsan-ku, SEOUL, Tel. (02)794-5011, Fax. (02)798-8022
- Malaysia:** No. 76 Jalan Universiti, 46200 PETALING JAYA,
SELANGOR, Tel. (03)750 5214, Fax. (03)757 4880
- Mexico:** Philips Components, 5900 Gateway East, Suite 200,
EL PASO, TX 79905, Tel. 9-5(800)234-7381, Fax. (708)296-8556
- Netherlands:** Postbus 90050, 5600 PB EINDHOVEN, Bldg. VB
Tel. (040)783749, Fax. (040)788399
- New Zealand:** 2 Wagener Place, C.P.O. Box 1041, AUCKLAND,
Tel. (09)849-4160, Fax. (09)849-7811
- Norway:** Box 1, Manglerud 0612, OSLO,
Tel. (022)74 8000, Fax. (022)74 8341
- Pakistan:** Philips Electrical Industries of Pakistan Ltd.,
Exchange Bldg. ST-2/A, Block 9, KDA Scheme 5, Clifton,
KARACHI 75600, Tel. (021)587 4641-49,
Fax. (021)577035/5874546.
- Philippines:** PHILIPS SEMICONDUCTORS PHILIPPINES Inc,
106 Valero St. Salcedo Village, P.O. Box 2108 MCC, MAKATI,
Metro MANILA, Tel. (02)810 0161, Fax. (02)817 3474
- Portugal:** PHILIPS PORTUGUESA, S.A.,
Rua dr. António Loureiro Borges 5, Arquiparque - Miraflores,
Apartado 300, 2795 LINDA-A-VELHA,
Tel. (01)14163160/4163333, Fax. (01)14163174/4163366.
- Singapore:** Lorong 1, Toa Payoh, SINGAPORE 1231,
Tel. (65)350 2000, Fax. (65)251 6500
- South Africa:** S.A. PHILIPS Pty Ltd., Components Division,
195-215 Main Road Martindale, 2092 JOHANNESBURG,
P.O. Box 7430 Johannesburg 2000,
Tel. (011)470-5911, Fax. (011)470-5494.
- Spain:** Balmes 22, 08007 BARCELONA,
Tel. (03)301 6312, Fax. (03)301 42 43
- Sweden:** Kottbygatan 7, Akalla. S-164 85 STOCKHOLM,
Tel. (08)-632 2000, Fax. (08)-632 2745
- Switzerland:** Allmendstrasse 140, CH-8027 ZÜRICH,
Tel. (01)488 2211, Fax. (01)481 77 30
- Taiwan:** PHILIPS TAIWAN Ltd., 23-30F, 66, Chung Hsiao West
Road, Sec. 1. Taipei, Taiwan ROC, P.O. Box 22978,
TAIPEI 100, Tel. (02)388 7666, Fax. (02)382 4382.
- Thailand:** PHILIPS ELECTRONICS (THAILAND) Ltd.,
209/2 Sanpavuth-Bangna Road Prakanong,
Bangkok 10260, THAILAND,
Tel. (662)398-0141, Fax. (662)398-3319.
- Turkey:** Talatpasa Cad. No. 5, 80640 GÜLTEPE/ISTANBUL,
Tel. (0212)279 2770, Fax. (0212)269 3094
- United Kingdom:** Philips Semiconductors Limited, P.O. Box 65,
Philips House, Torrington Place, LONDON, WC1E 7HD,
Tel. (071)436 41 44, Fax. (071)323 03 42
- United States:** INTEGRATED CIRCUITS:
811 East Arques Avenue, SUNNYVALE, CA 94088-3409,
Tel. (800)234-7381, Fax. (708)296-8556
DISCRETE SEMICONDUCTORS: 2001 West Blue Heron Blvd.,
P.O. Box 10330, RIVIERA BEACH, FLORIDA 33404,
Tel. (800)447-3762 and (407)881-3200, Fax. (407)881-3300
- Uruguay:** Coronel Mora 433, MONTEVIDEO,
Tel. (02)70-4044, Fax. (02)92 0601
- For all other countries apply to:** Philips Semiconductors,
International Marketing and Sales, Building BAF-1,
P.O. Box 218, 5600 MD, EINDHOVEN, The Netherlands,
Telex 35000 phtcnl, Fax. +31-40-724825

SCD31 © Philips Electronics N.V. 1994

All rights are reserved. Reproduction in whole or in part is prohibited without the prior written consent of the copyright owner.

The information presented in this document does not form part of any quotation or contract, is believed to be accurate and reliable and may be changed without notice. No liability will be accepted by the publisher for any consequence of its use. Publication thereof does not convey nor imply any license under patent- or other industrial or intellectual property rights.

Printed in The Netherlands

373061/1500/02/pp20
Document order number:

Date of release: June 1994
9397 735 80011

Philips Semiconductors



PHILIPS