

Fixed Voltage Regulators- T0126 Plastic Package

REFERENCE TABLE

Code	Stock No.
TDA1405	34792H
TDA1412	34793F
TDA1415	34794D

DESCRIPTION

These monolithic voltage regulators feature high temperature stability, internal overload and short circuit protection, low out-put impedance and excellent transient response. They are intended for use as voltage supply for consumer applications.

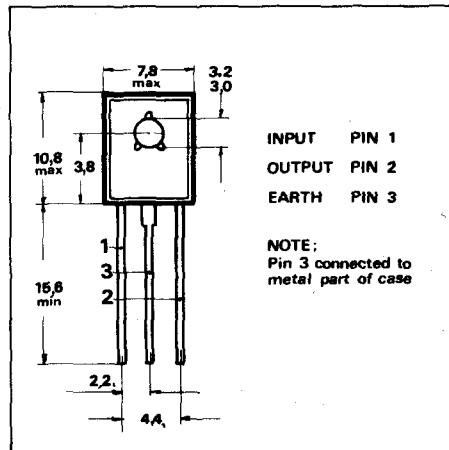
ABSOLUTE MAXIMUM RATINGS

Input voltage (TDA1405)	20V
(TDA1412)	27V
(TDA1415)	27V
Power dissipation (free air, $T_A=25^\circ\text{C}$)	1.25W
Power dissipation (Infinite heat sink, $T_c=25^\circ\text{C}$)	14W
Storage temperature	-55°C to 125°C
Operating temperature	0 to 70°C

FEATURES

Tight tolerance for output voltage load regulation.
Less than 1% ripple rejection.
56 dB typical low output impedance.
Excellent transient response.
High temperature stability.

DIMENSIONS



TYPICAL ELECTRICAL CHARACTERISTICS

Parameter	TDA1405	TDA1412	TDA1415	Unit
Output voltage	5	12	15	V
Load regulation	0.3	0.3	0.3	% V_{OUT}
Regulated output current	600*	500*	450*	mA
Output resistance	15	20	60	m Ω
Supply voltage rejection	60	60	56	dB
Output noise voltage	70	150	180	μV
Quiescent drain current	9	10	10	mA
Temperature coefficient	0.5	1.2	1.5	mV/ $^\circ\text{C}$
Short circuit current	200	100	85	mA

*minimum value

PLEASE QUOTE STOCK NO. AND MANUFACTURER'S CODE WHEN ORDERING