

RMPA1953-103

3V PCS CDMA & CDMA2000 Power Amplifier Module with Digital Bias Control

ADVANCED INFORMATION

Description

The RMPA1953-103 is a power amplifier for CDMA and **CDMA2000-1X** personal communications system (PCS) applications. The PA is internally matched to 50 ohms to minimize the use of external components. Advanced DC power management reduces current consumption during peak phone usage at backed-off RF power levels. Advanced digital bias control reduces the number of interface components to baseband. High power-added efficiency and excellent linearity are achieved using Raytheon's InGaP Heterojunction Bipolar Transistor (HBT) technology.

Features

- ◆ Single positive-supply operation and power-down mode
- ◆ Low backed-off power current consumption: 75 mA @ 12 dBm Pout
- ◆ 30% power-added efficiency at +28.5 dBm CDMA average output power
- ◆ Compact LCC package: 6.0 x 8.0 x 1.5 mm³
- ◆ 50 ohm matched and DC blocked input/output
- ◆ Advanced Digital Bias Control and DC Power Management



Absolute Maximum Ratings¹

Parameter	Symbol	Value	Unit
Supply Voltages	Vcc1, Vcc2, and Vbias	5	V
Bias Voltage 1 and 2	Vba1, Vba2	2.5	V
Chip Enable	Venbl	3.0	V
RF Input Power	Pin	+5	dBm
Case Operating Temperature	Tc	-30 to +85	°C
Storage Temperature	Tstg	-55 to +150	°C

Electrical Characteristics²

Parameter	Min	Typ	Max	Unit
Operating Frequency	1850		1910	MHz
Gain				
(Po=12 dBm)	22		28	dB
(Po=28.5 dBm)	27	30	34	dB
Linear Output Power	28.5			dBm
CDMA PAE				%
(Po=28.5 dBm)	30			%
(Po=19 dBm)	8			%
ACPR ³	-47	-51		dBc
ACPR ²⁴		-56		dBc

Parameter	Min	Typ	Max	Unit
Noise Power			-137	dBm/Hz
(Po ≤ 28.5 dBm)				
Input VSWR (50Ω)		2.0:1	2.5:1	
Itotal @28.5 dBm Pout		680		mA
Itotal @12 dBm Pout		75		mA
Stability (All spurious) ⁵			-65	dBc
Harmonics (Po ≤ 28.5 dBm)				
2fo, 3fo, 4fo			-30	dBc
Power Shutdown Current ⁶		<1		uA
Vcc	3.1	3.4	4.6	V

Notes:

1. No permanent damage with only one parameter set at extreme limit. Other parameters set to typical values.
2. All parameters met at Tc = +25°C, Vcc = +3.4V, Vref = +2.9V, f = 1880 MHz and load VSWR ≤ 1.2:1.
3. Po ≤ 28.5 dBm at Vcc = 3.4V; CDMA Waveform measured using the ratio of average power within a 1.23 MHz channel to average power within a 30 kHz bandwidth at + 1.25 MHz offset.
4. Po ≤ 28.5 dBm at Vcc = 3.4V; CDMA Waveform measured using the ratio of average power within a 1.23 MHz channel to average power within a 30 kHz bandwidth at +1.98 MHz offset.
5. Output VSWR ≤ 6:1, all phase angles.
6. No applied RF signal. Vcc = +3.4V nominal, Venbl = +0.2V maximum.

Characteristic performance data and specifications are subject to change without notice.

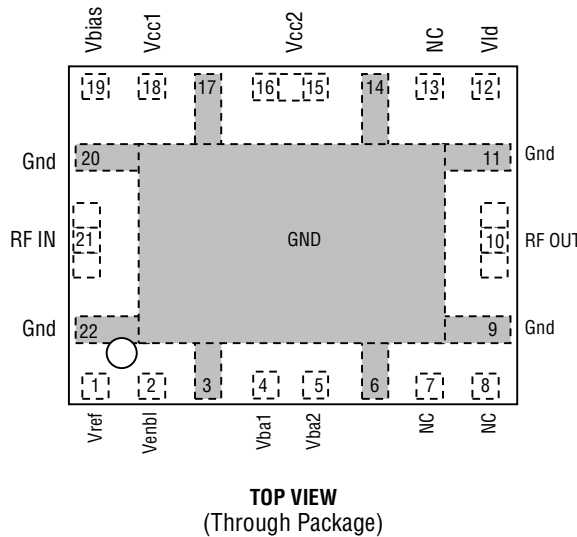
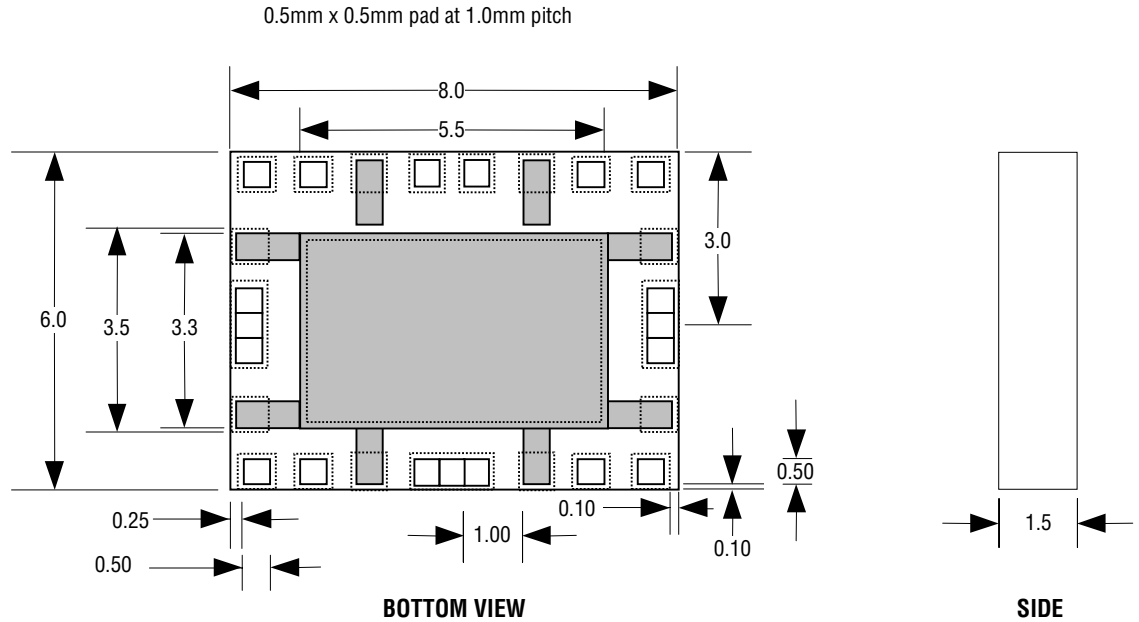
RMPA1953-103

3V PCS CDMA & CDMA2000 Power Amplifier Module with Digital Bias Control

ADVANCED INFORMATION

Figure 1
Package Outline and Pin Designations

Dimensions in mm



Pin #	Description
1	Vref
2	Venbl
3	GND
4	Vba1 and Vba2
5	Vba1 and Vba2
6	GND
7	NC
8	NC
9	GND
10	RF Out
11	GND
12	Vld
13	NC
14	GND
15	Vcc2
16	Vcc2
17	GND
18	Vcc1
19	Vbias
20	GND
21	RF In
22	GND

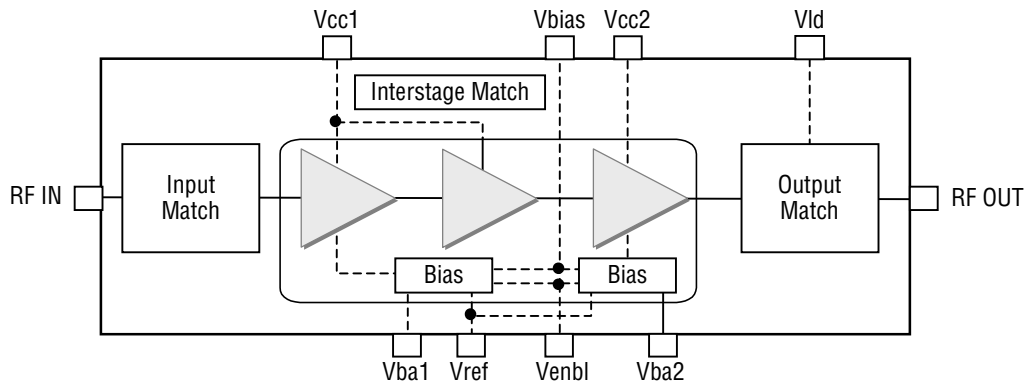
Characteristic performance data and specifications are subject to change without notice.

RMPA1953-103

3V PCS CDMA & CDMA2000 Power Amplifier Module with Digital Bias Control

ADVANCED INFORMATION

Figure 2
Functional Block Diagram



Recommended Operating Conditions

Parameter	Symbol	Value	Unit	Max	Units
Supply Voltage	Vcc	3.1	3.4	4.5	V
RF Input Power ¹	Pin	-89	0	+3	dBm
CDMA Output Power Range	Pout	-55		+28.5	dBm
Vld Hi Power	Vld	floating			V
Vld Low Power	Vld	2.5		2.9	V
Bias Control hi	Vba1 and 2	2.38		2.83	V
Bias Control low	Vba1 and 2	0.00		0.45	V
Enable Control Voltage high	Ven_hi	2.38		2.83	V
Enable Control Voltage low	Ven_lo		0.00	0.45	V
Reference Voltage	Vref		2.9	3.50	V

Operational Control

Typical RF input power for CDMA Pout = +28.5 dBm

	Vba1 and Vba2 Pins	Vld Pin (V)	Vcc1, 2 and Vbias Pins Tied Together	Venbl Pin (V)	Pout (dBm)	PAE (%) typ.	Itotal (mA) typ.
High Power Operation	2.5V	Lo	3.4 V CDMA High Power	2.7	28.5	30	680
Threshold Power Operation	0V	Hi 2.7	3.4 V CDMA Threshold power for Vld High Switch	2.7	19.0	15	150
Low Power Operation	0V	Hi 2.7	3.4 V CDMA Low Power	2.7	12.0	6	75

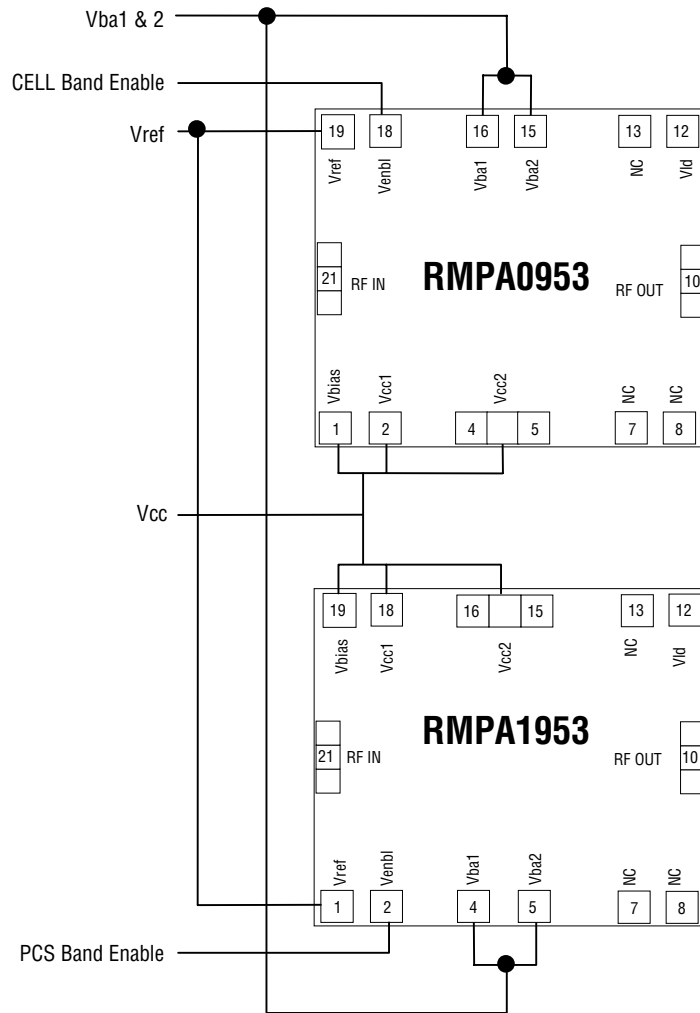
Characteristic performance data and specifications are subject to change without notice.

RMPA1953-103

3V PCS CDMA & CDMA2000 Power Amplifier Module with Digital Bias Control

ADVANCED INFORMATION

Figure 3
Common Control of Cellular and PCS band PAs



Characteristic performance data and specifications are subject to change without notice.

**Application
Information**◆ **Precautions to Avoid Permanent Device Damage:**

- Cleanliness: Observe proper handling procedures to ensure clean devices and PCBs. Devices should remain in their original packaging until component placement to ensure no contamination or damage to RF, DC & ground contact areas.
- Device Cleaning: Standard board cleaning techniques should not present device problems provided that the boards are properly dried to remove solvents or water residues.
- Static Sensitivity: Follow ESD precautions to protect against ESD damage:
 - A properly grounded static-dissipative surface on which to place devices.
 - Static-dissipative floor or mat.
 - A properly grounded conductive wrist strap for each person to wear while handling devices.
- General Handling: Handle the package on the top with a vacuum collet or along the edges with a sharp pair of bent tweezers. Avoiding damaging the RF, DC, & ground contacts on the package bottom. Do not apply excessive pressure to the top of the lid.
- Device Storage: Devices are supplied in heat-sealed, moisture-barrier bags. In this condition, devices are protected and require no special storage conditions. Once the sealed bag has been opened, devices should be stored in a dry nitrogen environment.

◆ **Device Usage:** Raytheon recommends the following procedures prior to assembly.

- Dry-bake devices at 125°C for 24 hours minimum. Note: The shipping trays cannot withstand 125°C baking temperature.
- Assemble the dry-baked devices within 7 days of removal from the oven.
- During the 7-day period, the devices must be stored in an environment of less than 60% relative humidity and a maximum temperature of 30°C
- If the 7-day period or the environmental conditions have been exceeded, then the dry-bake procedure must be repeated.

◆ **Solder Materials & Temperature Profile:** Reflow soldering is the preferred method of SMT attachment. Hand soldering is not recommended.– **Reflow Profile**

- Ramp-up: During this stage the solvents are evaporated from the solder paste. Care should be taken to prevent rapid oxidation (or paste slump) and solder bursts caused by violent solvent out-gassing. A typical heating rate is 1- 2°C/sec.
- Pre-heat/soak: The soak temperature stage serves two purposes; the flux is activated and the board and devices achieve a uniform temperature. The recommended soak condition is: 120-150 seconds at 150°C.
- Reflow Zone: If the temperature is too high, then devices may be damaged by mechanical stress due to thermal mismatch or there may be problems due to excessive solder oxidation. Excessive time at temperature can enhance the formation of inter-metallic compounds at the lead/board interface and may lead to early mechanical failure of the joint. Reflow must occur prior to the flux being completely driven off. The duration of peak reflow temperature should not exceed 10 seconds. Maximum soldering temperatures should be in the range 215-220°C, with a maximum limit of 225°C.
- Cooling Zone: Steep thermal gradients may give rise to excessive thermal shock. However, rapid cooling promotes a finer grain structure and a more crack-resistant solder joint. Figure 1 indicates the recommended soldering profile.

◆ **Solder Joint Characteristics:** Proper operation of this device depends on a reliable void-free attachment of the heatsink to the PWB. The solder joint should be 95% void-free and be a consistent thickness.◆ **Rework Considerations:** Rework of a device attached to a board is limited to reflow of the solder with a heat gun. The device should not be subjected to more than 225°C and reflow solder in the molten state for more than 5 seconds. No more than 2 rework operations should be performed.

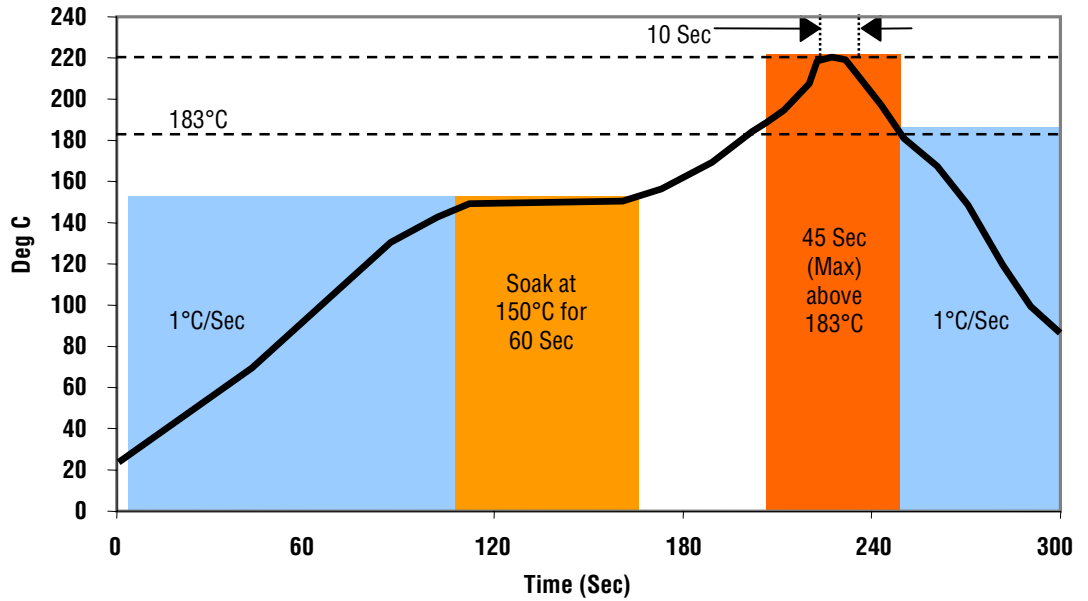
Characteristic performance data and specifications are subject to change without notice.

RMPA1953-103

3V PCS CDMA & CDMA2000 Power Amplifier Module with Digital Bias Control

ADVANCED INFORMATION

Figure 4
Recommended Solder Reflow Profile



Characteristic performance data and specifications are subject to change without notice.

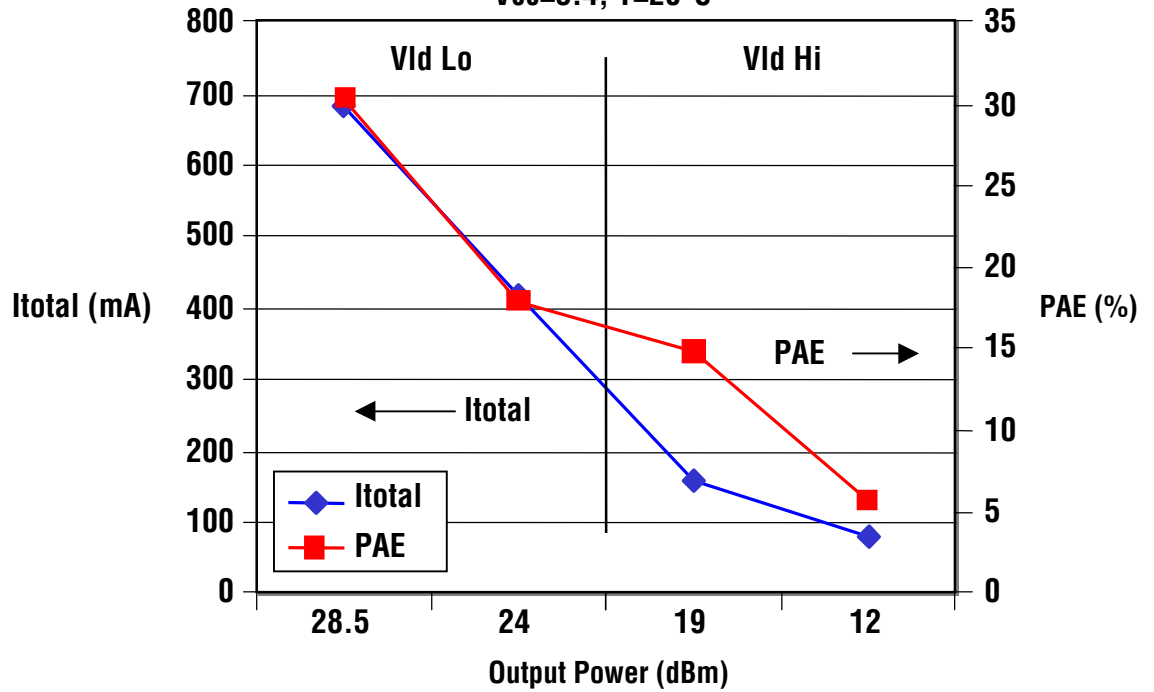
RMPA1953-103

3V PCS CDMA & CDMA2000 Power Amplifier Module with Digital Bias Control

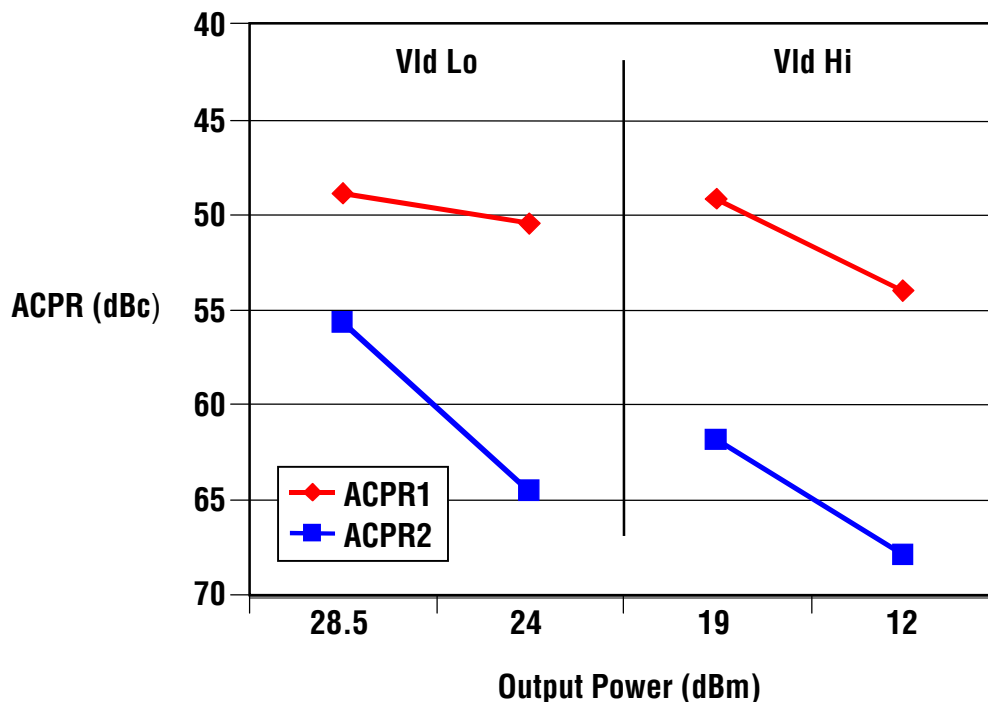
ADVANCED INFORMATION

Performance Data

Current and CDMA PAE vs. Output Power
Vcc=3.4, T=20°C



CDMA ACPR1 and ACPR2 vs. Power Output
Vcc=3.4, T=20°C



Characteristic performance data and specifications are subject to change without notice.

Worldwide Sales Representatives

North America

D&L Technical Sales
6139 S. Rural Road, #102
Tempe, AZ 85283
480-730-9553
fax: 480-730-9647
Nicholas Delvecchio, Jr.
dclarizona@aol.com

Hi-Peak Technical Sales
P.O. Box 6067
Amherst, NH 03031
866-230-5453
fax: 603-672-9228
sales@hi-peak.com

Spartech South
2115 Palm Bay Road, NE,
Suite 4
Palm Bay, FL 32904
321-727-8045
fax: 321-727-8086
Jim Morris
jim@spartech-south.com

TEQ Sales, Inc.
920 Davis Road, Suite 304
Elgin, IL 60123
847-742-3767
fax: 847-742-3947
Dennis Culpepper
dculpepper@teqsales.com

Cantec Representatives
8 Strathearn Ave, No. 18
Brampton, Ontario
Canada L6T 4L9
905-791-5922
fax: 905-791-7940
Dave Batten
cantec-ott@cantec-o.net

Steward Technology
6990 Village Pkwy #206
Dublin, CA 94568
925-833-7978
fax: 925-560-6522
John Steward
johnsteward1@msn.com

Europe

Sangus OY
Lunkintie 21,
90460 Oulunsalo
Finland
358-8-8251-100
fax: 358-8-8251-110
Juha Virtala
juha.virtala@sangus.fi

Sangus AB
Berghamnvgaven 68
Box 5004
S-165 10 Hasselby
Sweden
Ronny Gustafson
468-0-380210
fax: 468-0-3720954

Globes Elektronik & Co.
Klarastrabe 12
74072 Heilbronn
Germany
49-7131-7810-0
fax: 49-7131-7810-20
Ulrich Blievernicht
hfwelt@globes.de

MTI Engineering Ltd.
Afek Industrial Park
Hamelacha 11
New Industrial Area
Rosh Hayin 48091
Israel
972-3-902-5555
fax: 972-3-902-5556
Adi Peleg
adi_p@mti-group.co.il

Sirces srl
Via C. Boncompagni, 3B
20139 Milano
Italy
3902-57404785
fax: 3902-57409243
Nicola Iacovino
nicola.iacovino@sirces.it

Asia

ITX Corporation
2-5, Kasumigaseki
3-Chome
Chiyoda-Ku
Tokyo 100-6014 Japan
81-3-4288-7073
fax: 81-3-4288-7243
Maekawa Ryosuke
maekawa.ryosuke@
itx-corp.co.jp

Sea Union
9F-1, Building A, No 19-3
San-Chung Road
Nankang Software Park
Taiwan, ROC
Taipei 115
02-2655-3989
fax: 02-2655-3918
Murphy Su
murphy@seaunionweb.com.tw

Worldwide Distribution

Headquarters
Avnet-MCS
6321 San Ignacio Drive
San Jose, CA 95119
408-360-4073
fax: 408-281-8802
Art Herbig
art.herbig@avnet.com

Belgium and Luxembourg
BFI Optilas
Cipalstraat
2440 GEEL
Belgium
32 14 570670
fax: 32 14 570679
sales.be@bfiptilas.avnet.com

United Kingdom
BFI Optilas
Burnt Ash Road
Aylesford, Kent
England
ME207XB
44 1622882467
fax: 44 1622882469
rfsales.uk@
bfiptilas.avnet.com

France
BFI Optilas
4 Allee du Cantal
Evry, Cedex
France
33 16079 5900
fax: 33 16079 8903
sales.fr@
bfiptilas.avnet.com

Holland
BFI Optilas
Chr. Huygensweg 17
2400 AJ ALPHEN AAN DEN
RIJN
The Netherlands
31 172 446060
fax: 33 172 443414
sales.nl@
bfiptilas.avnet.com

Spain
BFI Optilas
C/Isobel Colbrand, 6 - 4a
28050 Madrid
Spain
34 913588611
fax: 34 913589271
sales.es@
bfiptilas.avnet.com

Sales Office Headquarters

United States (East Coast)
Raytheon
362 Lowell Street
Andover, MA 01810
978-684-8628
fax: 978-684-8646
Walter Shelmet
wshelmet@
rrfc.raytheon.com

United States (West Coast)
Raytheon
362 Lowell Street
Andover, MA 01810
978-684-8919
fax: 978-684-8646
Rob Sinclair
robert_w_sinclair@
rrfc.raytheon.com

Europe
Raytheon
AM Teckenberg 53
40883 Ratingen
Germany
49-2102-706-155
fax: 49-2102-706-156
Peter Hales
peter_j_hales@
raytheon.com

Asia
Raytheon
Room 601, Gook Je Ctr. Bldg
191 Hangang Ro 2-GA
Yongsan-Gu, Seoul,
Korea 140-702
82-2-796-5797
fax: 82-2-796-5790
T.G. Lee
tg_lee@
rrfc.raytheon.com

Customer Support

978-684-8900

fax: 978-684-5452

customer_support@rrfc.raytheon.com