

# FAN6520B

## Single Synchronous Buck PWM Controller

### Features

- Accepts 1.5V to 5V for  $V_{IN}$
- Output Range 0.8V to  $V_{IN}$ 
  - 0.8V Internal Reference
  - $\pm 1.5\%$  Over Line Voltage and Temperature
- Drives N-Channel MOSFETs
- Simple Single-Loop Control Design
  - Voltage-Mode PWM Control
- Fast Transient Response
  - High-Bandwidth Error Amplifier
  - Full 0% to 100% Duty Cycle
- Small Converter Size
  - 300kHz Fixed Frequency Oscillator
  - Internal Soft-Start
  - 8-Lead SOIC

### Applications

- Power Supplies for PC Subsystems and Peripherals
- MCH, GTL, and AGP Supplies
- Cable Modems, Set Top Boxes, and DSL Modems
- DSP, Memory
- Low-Voltage Distributed Power Supplies
- ACPI Power Control
- 5V Input DC-DC Regulator

### Description

The FAN6520B makes simple work out of implementing a complete control and protection scheme for a DC-DC stepdown converter.

Designed to drive N-channel MOSFETs in a synchronous buck topology, the FAN6520B integrates the control, output adjustment, and monitoring functions into a single 8-lead package.

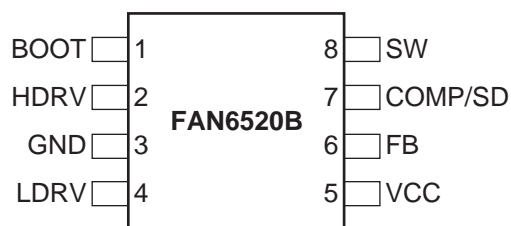
The FAN6520B is easy to use, employs a single feedback loop, and voltage-mode control with fast transient response. The output voltage can be precisely regulated to as low as 0.8V, with a maximum tolerance of  $\pm 1.5\%$  over temperature and line voltage variations. A fixed frequency oscillator reduces design complexity, while balancing typical application cost. The error amplifier features a 15MHz gain-bandwidth product and an 8V/ $\mu$ s slew rate which enables high converter bandwidth for fast transient performance. The resulting PWM duty cycles range from 0% to 100%.

The FAN6520B is rated for operation from 0° to +70°C with the FAN6520BI rated from -40° to +85°C.

### Ordering Information

Part Number	Temperature Range	Package	Packing
FAN6520BM	0°C to 70°C	SOIC-8	Rails
FAN6520BMX	0°C to 70°C	SOIC-8	Tape and Reel
FAN6520BIM	-40°C to 85°C	SOIC-8	Rails
FAN6520BIMX	-40°C to 85°C	SOIC-8	Tape and Reel

## Pin Configuration



FAN6520BM 8-pin SOIC Package

## Pin Definitions

Pin #	Pin Name	Pin Function Description
1	BOOT	<b>Bootstrap Supply Input.</b> Provides a boosted voltage to the high-side MOSFET driver. Connect to bootstrap capacitor and diode as shown in Figure 1.
2	HDRV	<b>High Side Gate Drive Output.</b> Connect to the gate of the high-side power MOSFET(s). This pin is also monitored by the adaptive shoot-through protection circuitry to determine when the upper MOSFET has turned off.
3	GND	<b>Ground.</b> The signal and power ground for the IC. Tie this pin to the ground island/plane through the lowest impedance connection available. Connect directly to source of low-side MOSFET(s).
4	LDRV	<b>Low Side Gate Drive Output.</b> Connect to the gate of the low-side power MOSFET(s). This pin is also monitored by the adaptive shoot-through protection circuitry to determine when the lower MOSFET has turned off.
5	VCC	<b>VCC.</b> Provides bias power to the IC and the drive voltage for LDRV. Bypass with a good quality ceramic capacitor (X7R or X5R) as close to this pin as possible.
6	FB	<b>Feedback.</b> This pin is the inverting input of the internal error amplifier. Use this pin, in combination with the COMP pin, to compensate the voltage-control feedback loop of the converter.
7	COMP/SD	<b>COMP/SD.</b> This is a multiplexed pin. During operation, the output of the error amplifier drives this pin. Pulling COMP to a level below 0.8V disables the controller. Disabling the controller causes the oscillator to stop, the HDRV and LDRV outputs to be held low, and the soft-start circuitry to re-arm. Connect a 75kΩ resistor between VCC and COMP/SD pin to pull up.
8	SW	<b>Switch Node Input.</b> Connect as shown in Figure 1. The SW pin provides return for the high-side bootstrapped driver, is a sense point for the adaptive shoot-thru protection.

Typical Application

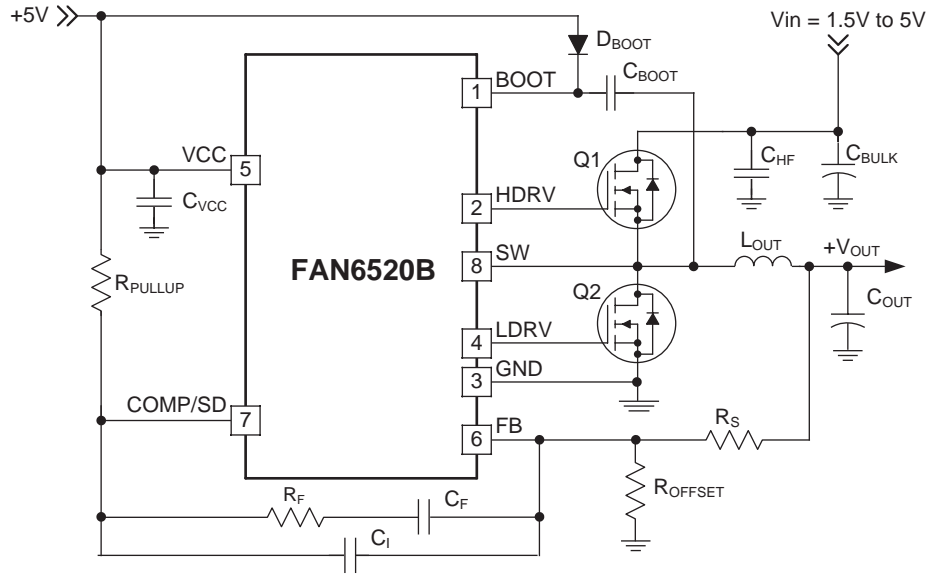


Figure 1. Typical Application

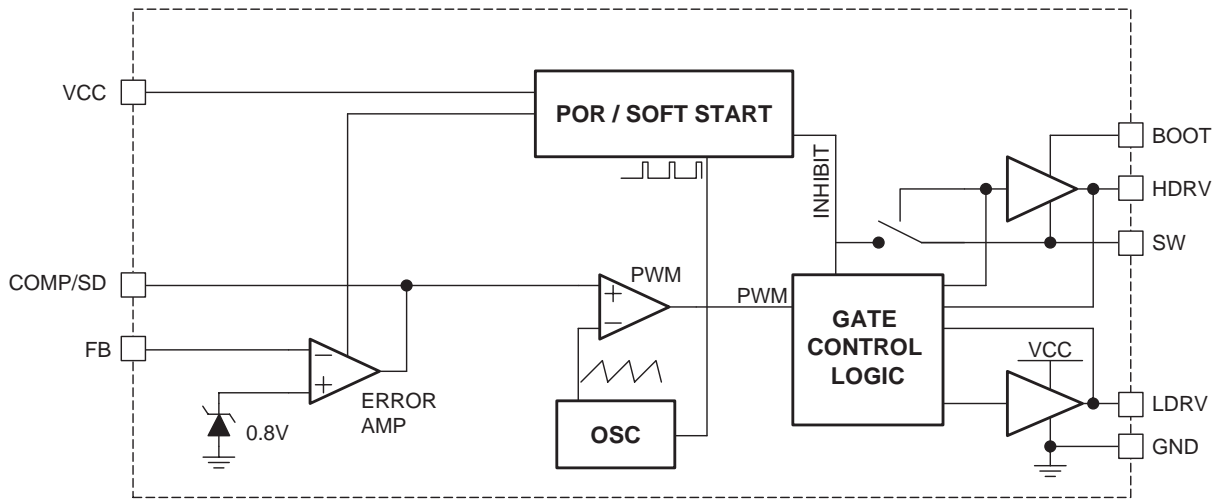


Figure 2. Functional Block Diagram

## Absolute Maximum Ratings

Absolute maximum ratings are the values beyond which the device may be damaged or have its useful life impaired. Functional operation under these conditions is not implied.

Parameter		Min.	Max.	Units
VCC to GND			6	V
VBOOT to GND			15	V
HDRV ( $V_{BOOT} - V_{SW}$ )			6	V
LDRV		-0.5	6	V
SW to PGND	Continuous	-0.5	6	V
	Transient ( $t < 50\text{nsec}$ )	-3	7	V
All other pins			5.5	V

## Thermal Information

Parameter	Min.	Typ.	Max.	Units
Storage Temperature	-65		150	°C
Lead Soldering Temperature, 10 seconds			300	°C
Vapor Phase, 60 seconds			215	°C
Infrared, 15 seconds			220	°C
Power Dissipation ( $P_D$ ), $T_A = 25^\circ\text{C}$			715	mW
Thermal Resistance – Junction to Case $\theta_{JC}$		40		°C/W
Thermal Resistance – Junction to Ambient $\theta_{JA}$		140		°C/W

## Recommended Operating Conditions

Parameter	Conditions	Min.	Typ.	Max.	Units
Supply Voltage VCC	VCC to PGND	4.5	5	5.5	V
Ambient Temperature ( $T_A$ )	FAN6520B	0		70	°C
	FAN6520BI	-40		85	°C
Junction Temperature ( $T_J$ )		-40		125	°C

## Electrical Specifications

VCC = 5V, and TA = 25°C using circuit in Figure 1 unless otherwise noted. The • denotes specifications which apply over the full operating temperature range.

Parameter	Symbol	Conditions		Min.	Typ.	Max.	Units
<b>Supply Current</b>							
VCC Current	I <sub>VCC</sub>	HDRV, LDRV open	•	1.5	2.4	3.8	mA
<b>Power-On Reset</b>							
Rising VCC POR Threshold	POR		•	4.00	4.22	4.45	V
VCC POR Threshold Hysteresis					170		mV
<b>Oscillator</b>							
Frequency	F <sub>OSC</sub>	FAN6520B	•	250	300	340	kHz
		FAN6520BI	•	230	300	340	kHz
Ramp Amplitude	ΔV <sub>OSC</sub>		•		1.5		Vp-p
<b>Reference</b>							
Reference Voltage	V <sub>REF</sub>	T <sub>A</sub> = 0 to 70°C	•	788	800	812	mV
		FAN6520BI	•	780	800	820	mV
<b>Error Amplifier</b>							
DC Gain		Note 2			88		dB
Gain – Bandwidth Product	GBW	Note 2			15		MHz
Slew Rate	S/R	Note 2			8		V/μs
<b>Gate Drivers</b>							
HDRV pull-up resistance	R <sub>HUP</sub>				2.5		Ω
HDRV pull-down resistance	R <sub>HDN</sub>				2.0		Ω
LDRV pull-up resistance	R <sub>LUP</sub>				2.5		Ω
LDRV pull-down resistance	R <sub>LDN</sub>				1.0		Ω
<b>Disable</b>							
Disable Threshold	V <sub>DISABLE</sub>	Note 3		400	800		mV

### Notes:

1. All limits at operating temperature extremes are guaranteed by design, characterization and statistical quality control.
2. Specifications guaranteed by design/characterization (not production tested).
3. To ensure shutdown, COMP/SD pin should be held below 400mV while sinking 6mA of current.

## Circuit Description

### Initialization

The FAN6520B automatically initializes upon receipt of power. The Power-On Reset (POR) function continually monitors the bias voltage at the VCC pin. When the supply voltage exceeds its POR threshold, the IC initiates the soft-start operation.

### Soft-Start

The POR function initiates the soft-start sequence. Soft-start clamps the error amplifier output (COMP pin) and reference input (noninverting terminal of the error amp) to the internally generated soft-start voltage. Figure 3 shows a typical start up interval where the COMP pin has been released from a grounded (system shutdown) state. The clamp on the error amplifier (COMP pin) initially controls the converter's output voltage during soft-start. The oscillator's triangular waveform is compared to the ramping error amplifier voltage. This generates SW pulses of increasing width that charge the output capacitor(s). When the internally generated soft-start voltage exceeds the feedback (FB pin) voltage, the output voltage is in regulation. This method provides a rapid and controlled output voltage rise. The entire startup sequence typically takes about 11ms.

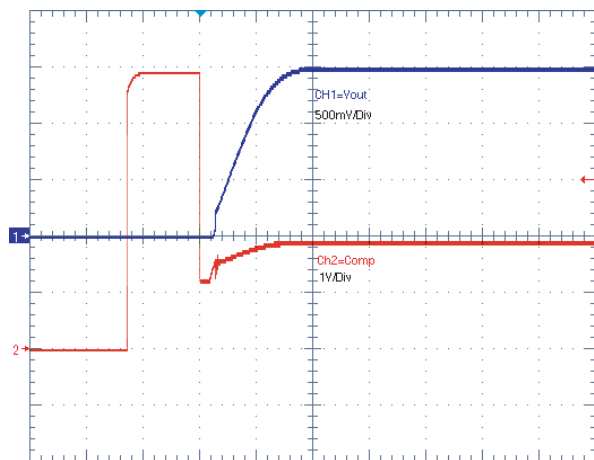


Figure 3. Soft-Start Interval

### Adaptive Gate Drive

The FAN6520B incorporates a MOSFET shoot-through protection method which allows a converter to both sink and source current. Care should be exercised when designing a converter with the FAN6520B when it is known that the converter may sink current.

When the converter is sinking current, it is behaving as a boost converter that is regulating its input voltage. This means that the converter is boosting current into the VCC rail, which supplies the bias voltage to the

FAN6520B. If this current has nowhere to go—such as to other distributed loads on the VCC rail, through a voltage limiting protection device, or other methods—the capacitance on the VCC bus will absorb the current. This situation will allow the voltage level of the VCC rail to increase. If the voltage level of the rail is boosted to a level that exceeds the maximum voltage rating of the FAN6520B, then the IC will experience an irreversible failure and the converter will no longer be operational. Ensure that there is a path for the current to follow other than the capacitance on the rail to prevent this failure mode.

## Application Guidelines

### Layout Considerations

As in any high frequency switching converter, layout is very important. Switching current from one power device to another can generate voltage transients across the impedances of the interconnecting bond wires and circuit traces. Use wide, short-printed circuit traces to minimize these interconnecting impedances. The critical components should be located as close together as possible, using ground plane construction or single point grounding.

Figure 4 shows the critical power components of the converter. To minimize the voltage overshoot, the interconnecting wires indicated by heavy lines should be part of a ground or power plane in a printed circuit board. The components shown in Figure 4 should be located as close together as possible. Please note that the capacitors  $C_{IN}$  and  $C_{OUT}$  may each represent numerous physical capacitors. Locate the FAN6520B as close as possible to Q1 and Q2 MOSFETs. The circuit traces for the MOSFETs' gate and source connections from the FAN6520B must be sized to handle up to 1A peak current.

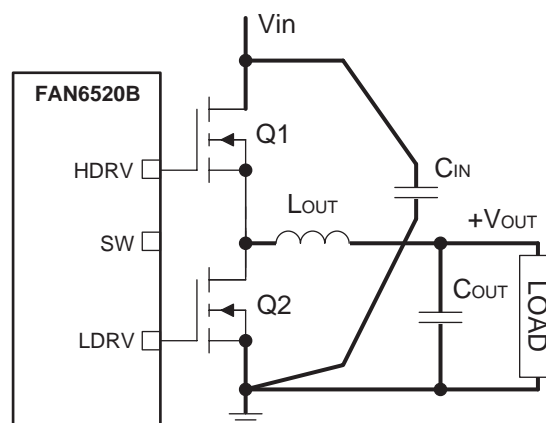
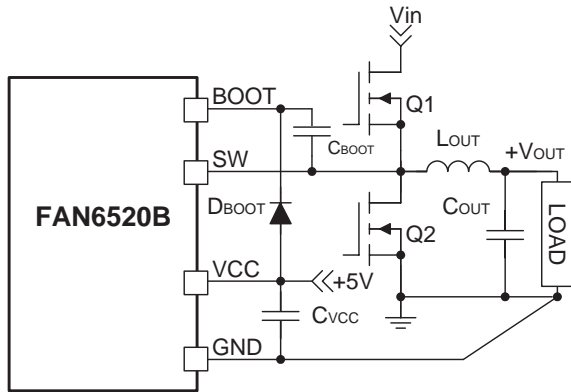


Figure 4. Printed Circuit Board Power and Ground Planes or Islands



**Figure 5. PC Board Small Signal Layout Guidelines**

Figure 5 shows the circuit traces that require additional layout consideration. Use single point and ground plane construction for the circuits shown. Minimize any leakage current paths on the COMP pin and locate the resistor,  $R_{PULLUP}$  close to the COMP pin. Provide local VCC decoupling between VCC and GND pins. Locate the capacitor, C<sub>BOOT</sub> as close as practical to the BOOT and PHASE pins. All components used for feedback compensation should be located as close to the IC as practical.

### Feedback Compensation

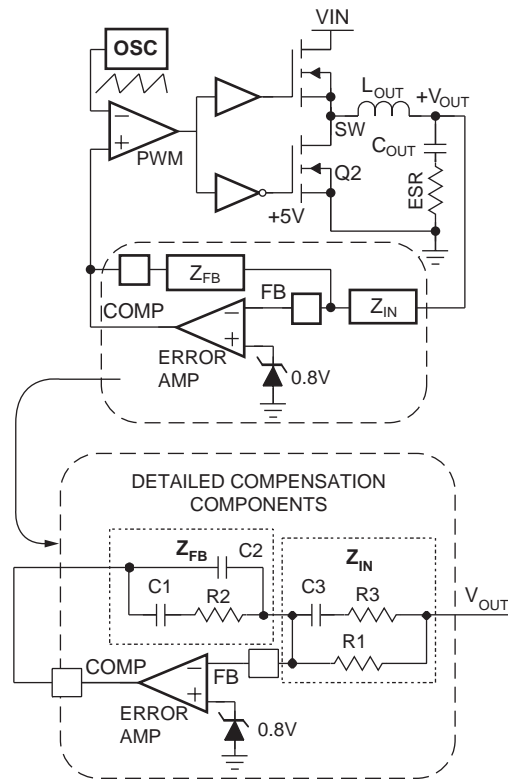
Figure 6 highlights the voltage-mode control loop for a synchronous-rectified buck converter. The output voltage ( $V_{OUT}$ ) is regulated to the reference voltage level. The error amplifier (Error Amp) output ( $V_{E/A}$ ) is compared with the oscillator (OSC) triangular wave to provide a pulse-width modulated (PWM) wave with an amplitude of  $V_{IN}$  at the SW node. The PWM wave is smoothed by the output LC filter ( $L_{OUT}$  and  $C_{OUT}$ ).

The modulator transfer function is the small-signal transfer function of  $V_{OUT}/V_{COMP}$ . This function is dominated by a DC Gain and the output filter ( $L_{OUT}$  and  $C_{OUT}$ ), with a double pole break frequency at  $F_{LC}$  and a zero at  $F_{ESR}$ . The DC Gain of the modulator is simply the input voltage ( $V_{IN}$ ) divided by the peak-to-peak oscillator voltage  $\Delta V_{OSC}$ .

The following equations define the modulator break frequencies as a function of the output LC filter:

$$F_{LC} = \frac{1}{2\pi\sqrt{L \times C}} \quad (15)$$

$$F_{ESR} = \frac{1}{2\pi \times ESR \times C} \quad (16)$$



**Figure 6. Voltage Mode Buck Converter Compensation Design**

1. The compensation network consists of the error amplifier (internal to the FAN6520B) and the impedance networks  $Z_{IN}$  and  $Z_{FB}$ . The goal of the compensation network is to provide a closed loop transfer function with the highest 0dB crossing frequency ( $F_{0dB}$ ) and adequate phase margin. Phase margin is the difference between the closed loop phase at  $F_{0dB}$  and 180 degrees. The equations below relate the compensation network's poles, zeros and gain to the components ( $R1$ ,  $R2$ ,  $R3$ ,  $C1$ ,  $C2$ , and  $C3$ ) in Figure 6.

$$F_{Z1} = \frac{1}{2\pi R_2 C_1} \quad (17)$$

$$F_{P1} = \frac{1}{2\pi R_2 \left( \frac{C_1 C_2}{C_1 + C_2} \right)} \quad (18)$$

$$F_{Z2} = \frac{1}{2\pi C_3 (R_1 + R_3)} \quad (19)$$

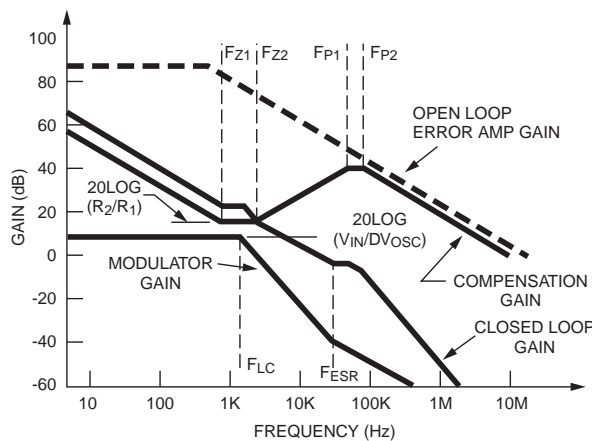
$$F_{P2} = \frac{1}{2\pi R_3 C_3} \quad (20)$$

Use the following steps to locate the poles and zeros of the compensation network:

2. Pick gain ( $R_2/R_1$ ) for the desired converter bandwidth.
3. Place 1<sup>st</sup> zero below the filter's double pole ( $\sim 75\% F_{LC}$ ).
4. Place 2<sup>nd</sup> zero at filter's double pole.
5. Place 1<sup>st</sup> pole at the ESR zero.
6. Place 2<sup>nd</sup> pole at half the switching frequency.
7. Check gain against the error amplifier's open-loop gain.
8. Estimate phase margin. Repeat if necessary.

Figure 7 shows an asymptotic plot of the DC-DC converter's gain vs. frequency. The actual Modulator Gain has a high gain peak due to the high Q factor of the output filter and is not shown in Figure 7. Using the above guidelines should give a Compensation Gain similar to the curve plotted. The open loop error amplifier gain bounds the compensation gain. Check the compensation gain at FP2 with the capabilities of the error amplifier. The Closed Loop Gain is constructed on the graph of Figure 7 by adding the Modulator Gain (in dB) to the Compensation Gain (in dB). This is equivalent to multiplying the modulator transfer function by the compensation transfer function and plotting the gain.

The compensation gain uses external impedance networks  $Z_{FB}$  and  $Z_{IN}$  to provide a stable, high bandwidth (BW) overall loop. A stable control loop has a gain crossing with a  $-20\text{dB/decade}$  slope and a phase margin greater than  $45^\circ$ . Include worst case component variations when determining phase margin.



**Figure 7. Asymptotic Bode Plot of Converter Gain**

An output capacitor is required to filter the output and supply the load transient current. The filtering requirements are a function of the switching frequency and the ripple current. The load transient requirements are a function of the slew rate ( $di/dt$ ) and the magnitude of the transient load current. These requirements are generally met with a mix of capacitors and careful layout.

## Component Selection

### Output Capacitors ( $C_{OUT}$ )

Modern components and loads are capable of producing transient load rates above  $1\text{A/ns}$ . High frequency capacitors initially supply the transient and slow the current load rate seen by the bulk capacitors. Effective Series Resistance (ESR) and voltage rating are typically the prime considerations for the bulk filter capacitors, rather than actual capacitance requirements. High-frequency decoupling capacitors should be placed as close to the power pins of the load as physically possible. Be careful not to add inductance in the circuit board wiring that could cancel the performance of these low inductance components. Consult with the load manufacturer on specific decoupling requirements. Use only specialized low-ESR capacitors intended for switching-regulator applications for the bulk capacitors. The bulk capacitor's ESR will determine the output ripple voltage and the initial voltage drop after a high slew-rate transient. An aluminum electrolytic capacitor's ESR value is related to the case size with lower ESR available in larger case sizes. However, the Equivalent Series Inductance (ESL) of these capacitors increases with case size and can reduce the usefulness of the capacitor to high slew-rate transient loading. Unfortunately, ESL is not a specified parameter. Work with your capacitor supplier and measure the capacitor's impedance with frequency to select a suitable component. In most cases, multiple electrolytic capacitors of small case size perform better than a single large case capacitor.

### Output Inductor ( $L_{OUT}$ )

The output inductor is selected to meet the output voltage ripple requirements and minimize the converter's response time to the load transient. The inductor value determines the converter's ripple current and the ripple voltage is a function of the ripple current. The ripple voltage ( $\Delta V$ ) and current ( $\Delta I$ ) are approximated by the following equations:

$$\Delta I = \frac{V_{IN} - V_{OUT}}{F_{SW} \times L} \quad \Delta V \approx \text{ESR} \times \Delta I \quad (1)$$

Increasing the inductance value reduces the ripple current and voltage. However, a large inductance value reduces the converter's ability to quickly respond to a load transient. One of the parameters limiting the converter's response to a load transient is the time required to change the inductor current. Given a sufficiently fast control loop design, the FAN6520B will provide either 0% or 100% duty cycle in response to a load transient. The response time is the time required to slew the inductor current from an initial current value to the transient current level. During this interval the difference between the inductor current and the transient current level must be supplied by the output capacitor. Minimizing the response time can minimize the output capacitance required.



Depending upon the whether there is a load application or a load removal, the response time to a load transient ( $I_{STEP}$ ) is different. The following equations give the approximate response time interval for application and removal of a transient load:

$$T_{RISE} = \frac{L \times I_{STEP}}{V_{IN} - V_{OUT}}$$

$$T_{FALL} = \frac{L \times I_{STEP}}{V_{OUT}}$$

where  $T_{RISE}$  is the response time to the application of a positive  $I_{STEP}$ , and  $T_{FALL}$  is the response time to a load removal (negative  $I_{STEP}$ ). The worst case response time can be either at the application or removal of load. Be sure to check both of these equations at the minimum and maximum output levels for the worst case response time.

### Input Capacitor Selection

Use a mix of input bypass capacitors to control the voltage overshoot across the MOSFETs. Use small ceramic capacitors for high-frequency decoupling and bulk capacitors to supply the current needed each time Q1 turns on. Place the small ceramic capacitors physically close to the MOSFETs and between the drain of Q1 and the source of Q2. The important parameters for the bulk input capacitor are the voltage rating and the RMS current rating. For reliable operation, select the bulk capacitor with voltage and current ratings above the maximum input voltage and the largest RMS current required by the circuit. The capacitor voltage rating should be at least 1.25 times greater than the maximum input voltage and a voltage rating of 1.5 times is a conservative guideline.

The RMS current rating requirement ( $I_{RMS}$ ) for the input capacitor of a buck regulator is:

$$I_{RMS} = I_L \sqrt{D - D^2} \quad (2)$$

where the converter duty cycle;  $D = \frac{V_{OUT}}{V_{IN}}$ . For a

through-hole design, several electrolytic capacitors may be needed. For surface-mount designs, solid tantalum capacitors can be used, but caution must be exercised with regard to the capacitor's surge current rating. The capacitors must be capable of handling the surge current at power-up. Some capacitor series available from reputable manufacturers are surge current tested.

### Bootstrap Circuit

The bootstrap circuit uses a charge storage capacitor ( $C_{BOOT}$ ) and the internal diode, as shown in Figure 1. Selection of these components should be done after the high-side MOSFET has been chosen. The required capacitance is determined using the following equation:

$$C_{BOOT} = \frac{Q_G}{\Delta V_{BOOT}} \quad (3)$$

where  $Q_G$  is the total gate charge of the high-side MOSFET, and  $\Delta V_{BOOT}$  is the voltage droop allowed on the high-side MOSFET drive. To prevent loss of gate drive, the bootstrap capacitance should be at least 50 times greater than the  $C_{ISS}$  of Q1. If FB is < 800mV for 32 consecutive cycles, then LDRV is turned on for ~1.6 $\mu$ s to charge the bootstrap capacitor.

### Thermal Considerations

Total device dissipation:

$$P_D = P_Q + P_{HDRV} + P_{LDRV} \quad (4)$$

where  $P_Q$  represents quiescent power dissipation:

$$P_Q = V_{CC} \times 2.7mA \quad (5)$$

$P_{HDRV}$  represents internal power dissipation of the upper FET driver.

$$P_{HDRV} = P_{H(R)} \times P_{H(F)} \quad (6)$$

Where  $P_{H(R)}$  and  $P_{H(F)}$  are internal dissipations for the rising and falling edges respectively:

$$P_{H(R)} = P_{Q1} \times \frac{R_{HUP}}{R_{HUP} + R_E + R_G} \quad (7)$$

$$P_{H(F)} = P_{Q1} \times \frac{R_{HDN}}{R_{HDN} + R_E + R_G} \quad (8)$$

where:

$$P_{Q1} = Q_{G1} \times V_{GS(Q1)} \times F_{SW} \quad (9)$$

Where  $Q_{G1}$  is total gate charge of Q1 for its applied  $V_{GS}$ .

As described in the equations above, the total power consumed in driving the gate is divided in proportion to the resistances in series with the MOSFET's internal gate node as shown in Figure 8.

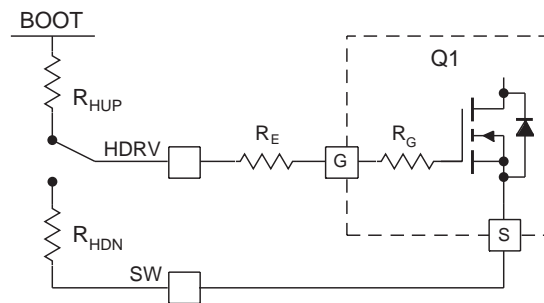


Figure 8. Driver Dissipation Model

$R_G$  is the polysilicon gate resistance, internal to the FET.  $R_E$  is the external gate drive resistor implemented in many designs. Note that the introduction of  $R_E$  can reduce driver power dissipation, but excess  $R_E$  may cause errors in the "adaptive gate drive" circuitry. For more information please refer to Fairchild app note AN-6003, "Shoot-through" in Synchronous Buck Converters. (<http://www.fairchildsemi.com/an/AN/AN-6003.pdf>)

$P_{LDRV}$  is dissipation of the lower FET driver.

$$P_{LDRV} = P_{L(R)} \times P_{L(F)} \quad (10)$$

Where  $P_{H(R)}$  and  $P_{H(F)}$  are internal dissipations for the rising and falling edges, respectively:

$$P_{L(R)} = P_{Q2} \times \frac{R_{LUP}}{R_{LUP} + R_E + R_G} \quad (11)$$

$$P_{L(F)} = P_{Q2} \times \frac{R_{LDN}}{R_{HDN} + R_E + R_G} \quad (12)$$

where:

$$P_{Q2} = Q_{G2} \times V_{GS(Q2)} \times F_{SW} \quad (13)$$

### Power MOSFET Selection

For more information on MOSFET selection for synchronous buck regulators, refer to: *AN-6005: Synchronous Buck MOSFET Loss Calculations*.

This Fairchild app note is located at:  
<http://www.fairchildsemi.com/an/AN/AN-6005.pdf>

Losses in a MOSFET are the sum of its switching ( $P_{SW}$ ) and conduction ( $P_{COND}$ ) losses.

In typical applications, the FAN6520B converter's output voltage is low with respect to its input voltage, therefore the lower MOSFET (Q2) is conducting the full load current for most of the cycle. Therefore choose a MOSFET for Q2 which has low  $R_{DS(ON)}$  to minimize conduction losses.

In contrast, the high-side MOSFET (Q1) has a much shorter duty cycle, and its conduction loss will therefore have less of an impact. Q1, however, sees most of the switching losses, so Q1's primary selection criteria should be gate charge.

### High-Side Losses

Figure 9 shows a MOSFET's switching interval, with the upper graph being the voltage and current on the Drain to Source and the lower graph detailing  $V_{GS}$  vs. time with a constant current charging the gate. The x-axis, therefore, is also representative of gate charge ( $Q_G$ ).  $C_{ISS} = C_{GD} + C_{GS}$ , and it controls  $t_1$ ,  $t_2$ , and  $t_4$  timing.  $C_{GD}$  receives the current from the gate driver during  $t_3$  (as  $V_{DS}$  is falling). The gate charge ( $Q_G$ ) parameters on the lower graph are either specified or can be derived from the MOSFET's datasheet.

Assuming switching losses are about the same for both the rising edge and falling edge, Q1's switching losses, occur during the shaded time when the MOSFET has voltage across it and current through it.

These losses are given by:

$$P_{UPPER} = P_{SW} + P_{COND}$$

$$P_{SW} = \left( \frac{V_{DS} \times I_L}{2} \times 2 \times t_s \right) F_{SW} \quad (14)$$

$$P_{COND} = \left( \frac{V_{OUT}}{V_{IN}} \right) \times I_{OUT}^2 \times R_{DS(ON)} \quad (15)$$

where:

$P_{UPPER}$  is the upper MOSFET's total losses, and  $P_{SW}$  and  $P_{COND}$  are the switching and conduction losses for a given MOSFET.  $R_{DS(ON)}$  is at the maximum junction temperature ( $T_J$ ).  $t_s$  is the switching period (rise or fall time) and is  $t_2+t_3$  (Figure 9).

The driver's impedance and  $C_{ISS}$  determine  $t_2$  while  $t_3$ 's period is controlled by the driver's impedance and  $Q_{GD}$ . Since most of  $t_s$  occurs when  $V_{GS} = V_{SP}$  we can use a constant current assumption for the driver to simplify the calculation of  $t_s$ :

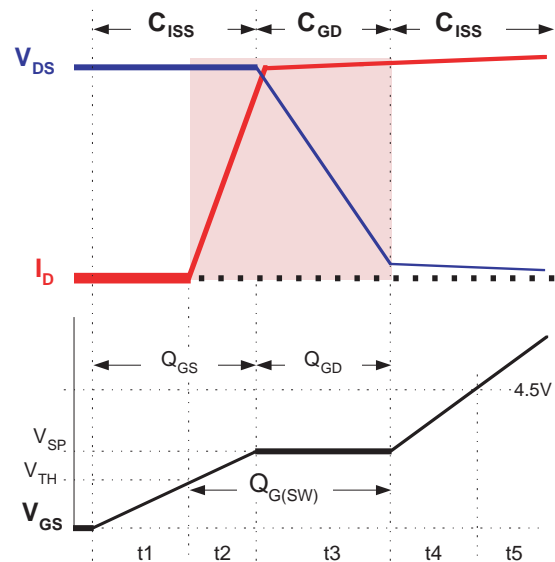


Figure 9. Switching Losses and  $Q_G$

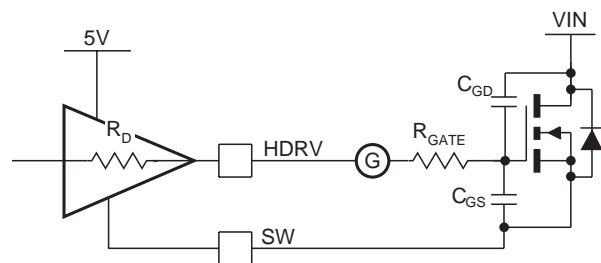


Figure 10. Drive Equivalent Circuit

$$t_s \approx \frac{Q_{G(SW)}}{I_{DRIVER}} \approx \frac{Q_{G(SW)}}{\left( \frac{V_{CC} - V_{SP}}{R_{DRIVER} + R_{GATE}} \right)} \quad (16)$$

Most MOSFET vendors specify  $Q_{GD}$  and  $Q_{GS}$ .  $Q_{G(SW)}$  can be determined as:  $Q_{G(SW)} = Q_{GD} + Q_{GS} - Q_{TH}$  where  $Q_{TH}$  is the gate charge required to get the MOSFET to its threshold ( $V_{TH}$ ). For the high-side MOSFET,  $V_{DS} = V_{IN}$ , which can be as high as 20V in a typical portable application. Care should also be taken to include the delivery of the MOSFET's gate power ( $P_{GATE}$ ) in calculating the power dissipation required for the FAN6520B:

$$P_{GATE} = Q_G \times V_{CC} \times F_{SW} \quad (17)$$

where  $Q_G$  is the total gate charge to reach VCC.

### Low-Side Losses

Q2, however, switches on or off with its parallel shottky diode conducting, therefore  $V_{DS} \approx 0.5V$ . Since  $P_{SW}$  is proportional to  $V_{DS}$ , Q2's switching losses are negligible and we can select Q2 based on  $R_{DS(ON)}$  only.

Conduction losses for Q2 are given by:

$$P_{COND} = (1-D) \times I_{OUT}^2 \times R_{DS(ON)} \quad (18)$$

where  $R_{DS(ON)}$  is the  $R_{DS(ON)}$  of the MOSFET at the highest operating junction temperature and

$$D = \frac{V_{OUT}}{V_{IN}}$$

is the minimum duty cycle for the converter.

Since  $D_{MIN} < 20\%$  for portable computers,  $(1-D) \approx 1$  produces a conservative result, further simplifying the calculation.

The maximum power dissipation ( $P_{D(MAX)}$ ) is a function of the maximum allowable die temperature of the low-side MOSFET, the  $\theta_{J-A}$ , and the maximum allowable ambient temperature rise:

$$P_{D(MAX)} = \frac{T_{J(MAX)} - T_{A(MAX)}}{\theta_{J-A}} \quad (19)$$

$\theta_{J-A}$ , depends primarily on the amount of PCB area that can be devoted to heat sinking (see Fairchild app note AN-1029 for SO-8 MOSFET thermal information).

### Typical Application Circuit

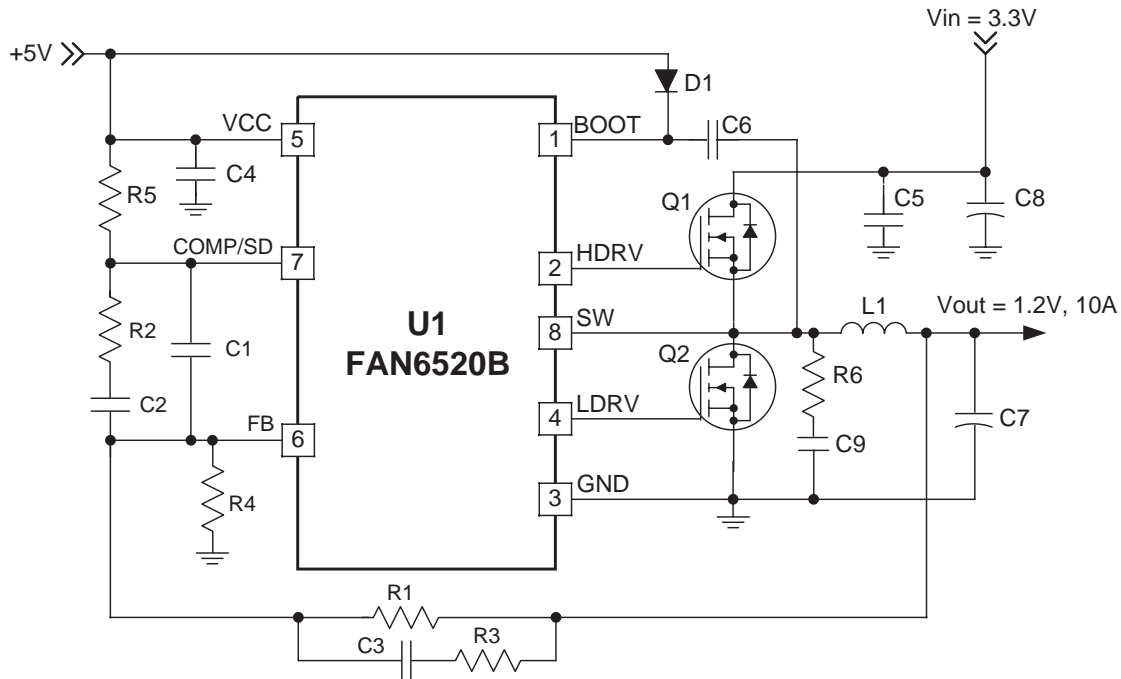


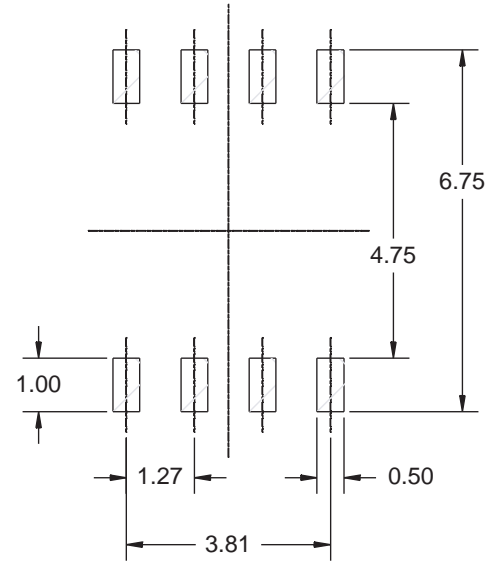
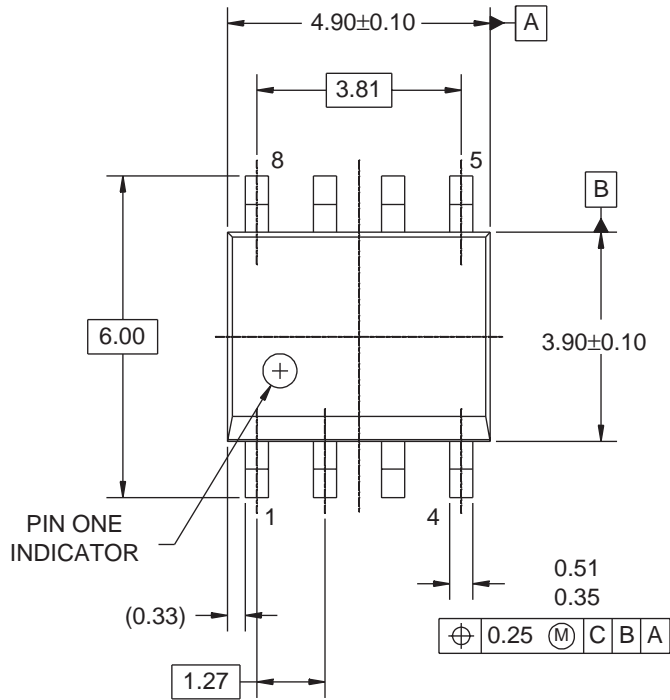
Figure 11. 3.3V to 1.2V, 10A DC-DC Converter

### Typical Application Bill of Materials (1.2V, 10 Amps)

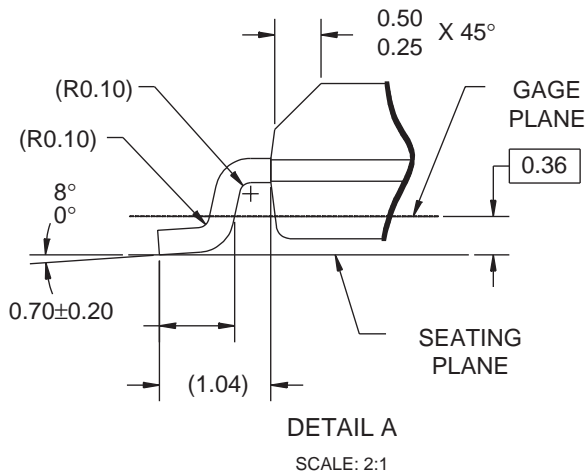
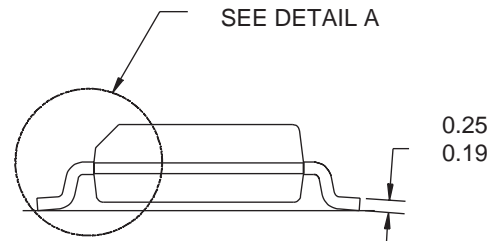
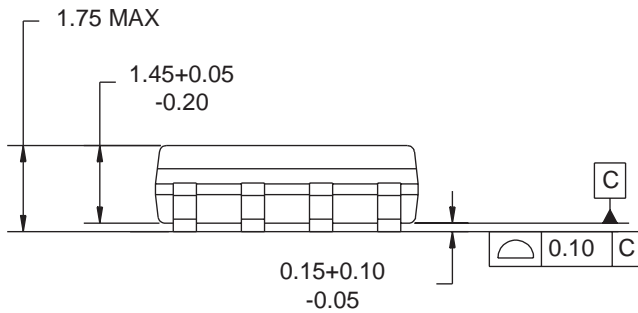
Ref Des	Description	Manufacturer	P/N	Qty
C1	Capacitor, 220pF, 10%, X7R, 0603	Any	-	1
C2, C3	Capacitor, 22nF, 10%, X7R, 0603	Any	-	2
C4	Capacitor, 1μF, 10%, X7R, 0805	Any	-	1
C5, C9	Capacitor, 3900pF, 10%, X7R, 0603	Any	-	2
C6	Capacitor, 0.1μF, 10%, X7R, 0603	Any	-	1
C7	Capacitor, 560μF, 4V, 7mΩ, 8X11, 5.58A	United Chemi-con	PSA4VB560MH11	1
C8	Capacitor, 390μF, 6.3V, 8mΩ, 8X11, 5.08A	United Chemi-con	PSA6.3VB390MH11	2
D1	Diode, 200mA, 100V	Fairchild	MMSD4148	1
L1	Inductor, 1.8μ, 16A, 3.2mΩ	Inter-Technical	SC5018-1R8M	1
Q1	Mosfet, N, 30V, 50A, 11.3mΩ, DPAK	Fairchild	FDD6296	1
Q2	Mosfet, N, 30V, 94A, 6.8mΩ, DPAK	Fairchild	FDD8896	1
R1	Resistor, 1.00KΩ, 1%, 0603	Any	-	1
R2	Resistor, 3.74KΩ, 1%, 0603	Any	-	1
R3	Resistor, 120Ω, 5%, 0603	Any	-	1
R4	Resistor, 2.00KΩ, 1%, 0603	Any	-	1
R5	Resistor, 10KΩ, 5%, 0603	Any	-	1
R6	Resistor, 1.5Ω, 5%, 0805	Any	-	1
U1	IC, Single Synchronous Buck PWM, SOIC 8	Fairchild	FAN6520B	1

Contact factory for the latest bill of materials.

Dimensional Outline Drawing



LAND PATTERN RECOMMENDATION



NOTES: UNLESS OTHERWISE SPECIFIED

- A) THIS PACKAGE CONFORMS TO JEDEC MS-012, VARIATION AA, ISSUE C, DATED MAY 1990.
- B) ALL DIMENSIONS ARE IN MILLIMETERS.
- C) DIMENSIONS DO NOT INCLUDE MOLD FLASH OR BURRS.
- D) STANDARD LEAD FINISH: 200 MICROINCHES / 5.08 MICRONS MIN. LEAD/TIN (SOLDER) ON COPPER.

## TRADEMARKS

The following are registered and unregistered trademarks Fairchild Semiconductor owns or is authorized to use and is not intended to be an exhaustive list of all such trademarks.

ACEx™	FAST®	ISOPLANAR™	PowerSaver™	SuperSOT™-6
ActiveArray™	FASTr™	LittleFET™	PowerTrench®	SuperSOT™-8
Bottomless™	FPS™	MICROCOUPLER™	QFET®	SyncFET™
Build it Now™	FRFET™	MicroFET™	QS™	TCM™
CoolFET™	GlobalOptoisolator™	MicroPak™	QT Optoelectronics™	TinyLogic®
CROSSVOLT™	GTO™	MICROWIRE™	Quiet Series™	TINYOPTO™
DOME™	HiSeC™	MSX™	RapidConfigure™	TruTranslation™
EcoSPARK™	I <sup>2</sup> C™	MSXPro™	RapidConnect™	UHC™
E <sup>2</sup> CMOS™	i-Lo™	OCX™	μSerDes™	UltraFET®
EnSigna™	ImpliedDisconnect™	OCXPro™	ScalarPump™	UniFET™
FACT™	IntelliMAX™	OPTOLOGIC®	SILENT SWITCHER®	VCX™
FACT Quiet Series™		OPTOPLANAR™	SMART START™	Wire™
Across the board. Around the world.™		PACMAN™	SPM™	
The Power Franchise®		POP™	Stealth™	
Programmable Active Droop™		Power247™	SuperFET™	
		PowerEdge™	SuperSOT™-3	

## DISCLAIMER

FAIRCHILD SEMICONDUCTOR RESERVES THE RIGHT TO MAKE CHANGES WITHOUT FURTHER NOTICE TO ANY PRODUCTS HEREIN TO IMPROVE RELIABILITY, FUNCTION OR DESIGN. FAIRCHILD DOES NOT ASSUME ANY LIABILITY ARISING OUT OF THE APPLICATION OR USE OF ANY PRODUCT OR CIRCUIT DESCRIBED HEREIN; NEITHER DOES IT CONVEY ANY LICENSE UNDER ITS PATENT RIGHTS, NOR THE RIGHTS OF OTHERS.

## LIFE SUPPORT POLICY

FAIRCHILD'S PRODUCTS ARE NOT AUTHORIZED FOR USE AS CRITICAL COMPONENTS IN LIFE SUPPORT DEVICES OR SYSTEMS WITHOUT THE EXPRESS WRITTEN APPROVAL OF FAIRCHILD SEMICONDUCTOR CORPORATION. As used herein:

1. Life support devices or systems are devices or systems which, (a) are intended for surgical implant into the body, or (b) support or sustain life, or (c) whose failure to perform when properly used in accordance with instructions for use provided in the labeling, can be reasonably expected to result in significant injury to the user.
2. A critical component is any component of a life support device or system whose failure to perform can be reasonably expected to cause the failure of the life support device or system, or to affect its safety or effectiveness.

## PRODUCT STATUS DEFINITIONS

### Definition of Terms

Datasheet Identification	Product Status	Definition
Advance Information	Formative or In Design	This datasheet contains the design specifications for product development. Specifications may change in any manner without notice.
Preliminary	First Production	This datasheet contains preliminary data, and supplementary data will be published at a later date. Fairchild Semiconductor reserves the right to make changes at any time without notice in order to improve design.
No Identification Needed	Full Production	This datasheet contains final specifications. Fairchild Semiconductor reserves the right to make changes at any time without notice in order to improve design.
Obsolete	Not In Production	This datasheet contains specifications on a product that has been discontinued by Fairchild semiconductor. The datasheet is printed for reference information only.

Rev. I18