

- TEMPERATURE COMPENSATED ZENER REFERENCE DIODES
- LEADLESS PACKAGE FOR SURFACE MOUNT
- 12.8 VOLT NOMINAL ZENER VOLTAGE $\pm 5\%$
- LOW NOISE
- METALLURGICALLY BONDED
- DOUBLE PLUG CONSTRUCTION

CDLL4896
thru
CDLL4915A

MAXIMUM RATINGS

Operating Temperature: -65°C to $+175^{\circ}\text{C}$
Storage Temperature: -65°C to $+175^{\circ}\text{C}$
DC Power Dissipation: 500mW @ $+50^{\circ}\text{C}$
Power Derating: 4 mW / $^{\circ}\text{C}$ above $+50^{\circ}\text{C}$

REVERSE LEAKAGE CURRENT

$I_R = 15\mu\text{A}$ @ 25°C & $V_R = 8\text{Vdc}$

ELECTRICAL CHARACTERISTICS @ 25°C , unless otherwise specified.

CDI TYPE NUMBER (Note 3)	TEST CURRENT I_{ZT}	VOLTAGE TEMPERATURE STABILITY ΔV_{ZT} (Note 2)	TEMPERATURE RANGE	EFFECTIVE TEMPERATURE COEFFICIENT	MAXIMUM DYNAMIC IMPEDANCE Z_{ZT} (Note 1)	MAXIMUM NOISE DENSITY N_D
	mA	mV	$^{\circ}\text{C}$	$\%/^{\circ}\text{C}$	OHMS	$\mu\text{V}/\text{Hz}$
CDLL4896	0.5	96	+25 to +100	0.01	400	0.8
CDLL4896A	0.5	198	-55 to +100	0.01	400	0.8
CDLL4897	0.5	48	+25 to +100	0.005	400	0.8
CDLL4897A	0.5	99	-55 to +100	0.005	400	0.8
CDLL4898	0.5	19	+25 to +100	0.002	400	0.8
CDLL4898A	0.5	40	-55 to +100	0.002	400	0.8
CDLL4899	0.5	10	+25 to +100	0.001	400	0.8
CDLL4899A	0.5	20	-55 to +100	0.001	400	0.8
CDLL4900	1.0	96	+25 to +100	0.01	200	0.4
CDLL4900A	1.0	198	-55 to +100	0.01	200	0.4
CDLL4901	1.0	48	+25 to +100	0.005	200	0.4
CDLL4901A	1.0	99	-55 to +100	0.005	200	0.4
CDLL4902	1.0	19	+25 to +100	0.002	200	0.4
CDLL4902A	1.0	40	-55 to +100	0.002	200	0.4
CDLL4903	1.0	10	+25 to +100	0.001	200	0.4
CDLL4903A	1.0	20	-55 to +100	0.001	200	0.4
CDLL4904	2.0	96	+25 to +100	0.01	100	0.25
CDLL4904A	2.0	198	-55 to +100	0.01	100	0.25
CDLL4905	2.0	48	+25 to +100	0.005	100	0.25
CDLL4905A	2.0	99	-55 to +100	0.005	100	0.25
CDLL4906	2.0	19	+25 to +100	0.002	100	0.25
CDLL4906A	2.0	40	-55 to +100	0.002	100	0.25
CDLL4907	2.0	10	+25 to +100	0.001	100	0.25
CDLL4907A	2.0	20	-55 to +100	0.001	100	0.25
CDLL4908	4.0	96	+25 to +100	0.01	50	0.22
CDLL4908A	4.0	198	-55 to +100	0.01	50	0.22
CDLL4909	4.0	48	+25 to +100	0.005	50	0.22
CDLL4909A	4.0	99	-55 to +100	0.005	50	0.22
CDLL4910	4.0	19	+25 to +100	0.002	50	0.22
CDLL4910A	4.0	40	-55 to +100	0.002	50	0.22
CDLL4911	4.0	10	+25 to +100	0.001	50	0.22
CDLL4911A	4.0	20	-55 to +100	0.001	50	0.22
CDLL4912	7.5	96	+25 to +100	0.01	25	0.20
CDLL4912A	7.5	198	-55 to +100	0.01	25	0.20
CDLL4913	7.5	48	+25 to +100	0.005	25	0.20
CDLL4913A	7.5	99	-55 to +100	0.005	25	0.20
CDLL4914	7.5	19	+25 to +100	0.002	25	0.20
CDLL4914A	7.5	40	-55 to +100	0.002	25	0.20
CDLL4915	7.5	10	+25 to +100	0.001	25	0.20
CDLL4915A	7.5	20	-55 to +100	0.001	25	0.20

NOTE 1 Zener impedance is derived by superimposing on I_{ZT} A 60Hz rms a.c. current equal to 10% of I_{ZT} .

NOTE 2 The maximum allowable change observed over the entire temperature range, per JEDEC standard No.5.

NOTE 3 Zener voltage range equals 12.8 volts $\pm 5\%$.

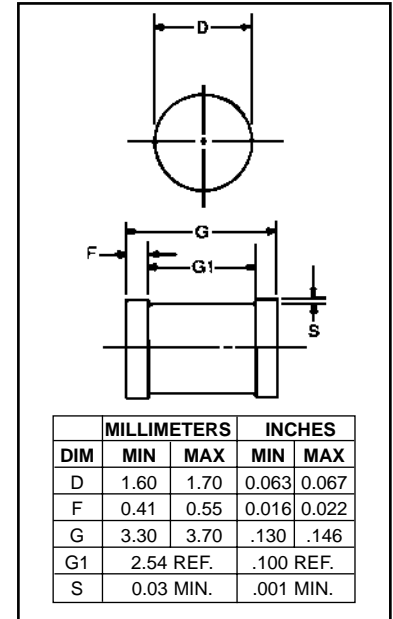


FIGURE 1

DESIGN DATA

CASE: DO-213AA, Hermetically sealed glass case. (MELF, SOD-80, LL34)

LEAD FINISH: Tin / Lead

POLARITY: Diode to be operated with the banded (cathode) end positive.

MOUNTING POSITION: Any.

MOUNTING SURFACE SELECTION:
The Axial Coefficient of Expansion (COE) Of this Device is Approximately +6PPM/ $^{\circ}\text{C}$. The COE of the Mounting Surface System Should Be Selected To Provide A Suitable Match With This Device.



COMPENSATED DEVICES INCORPORATED

22 COREY STREET, MELROSE, MASSACHUSETTS 02176
PHONE (781) 665-1071 FAX (781) 665-7379
WEBSITE: <http://www.cdi-diodes.com> E-mail: mail@cdi-diodes.com

CDLL4896 thru CDLL4915A

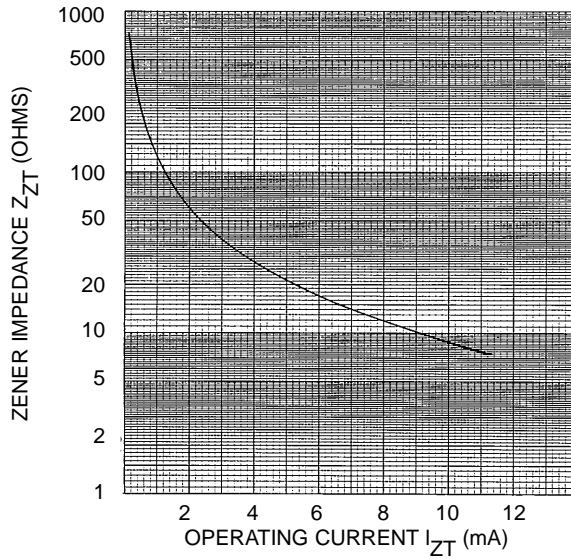


FIGURE 2

ZENER IMPEDANCE VS. OPERATING CURRENT

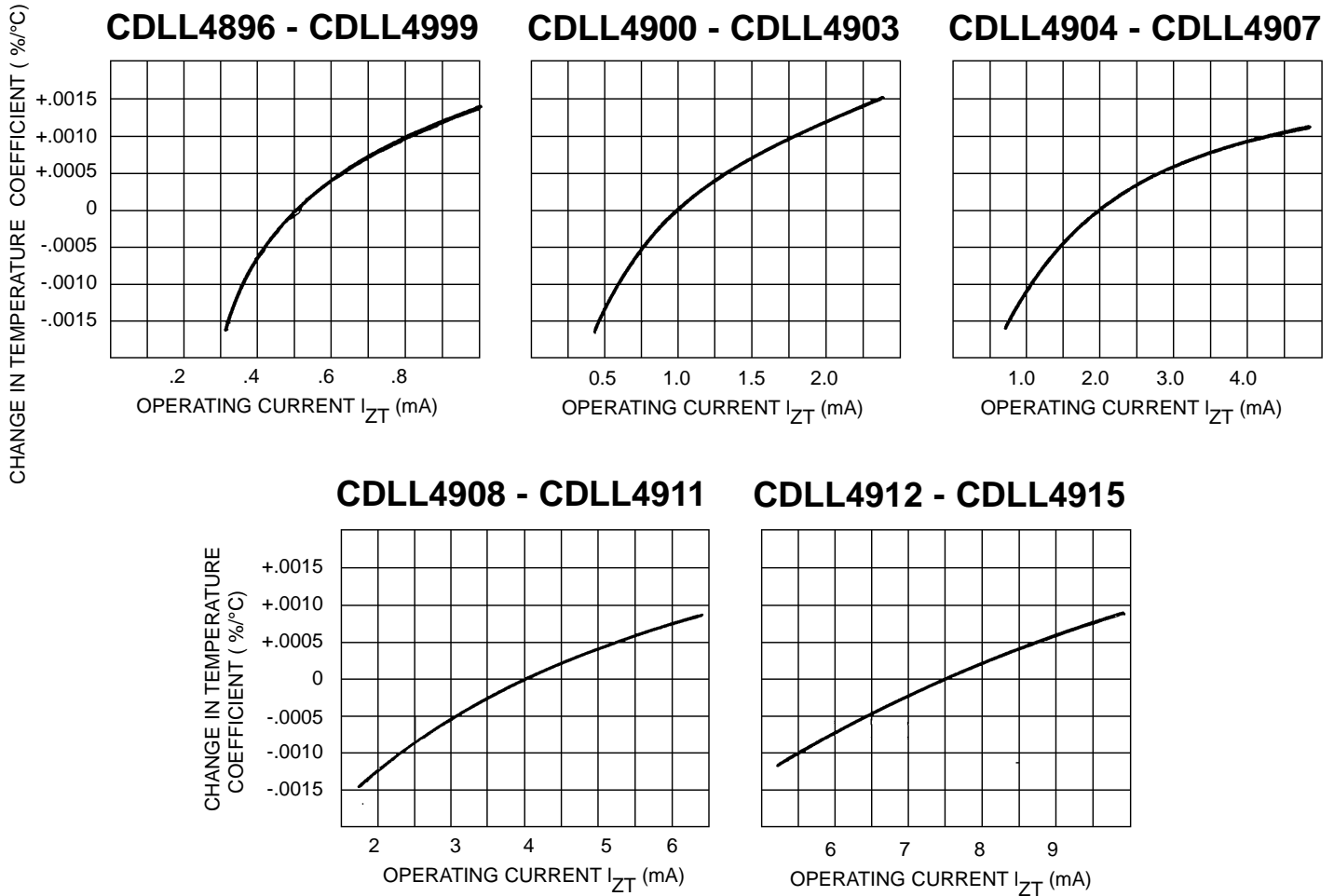


FIGURE 3

TYPICAL CHANGE OF TEMPERATURE COEFFICIENT WITH CHANGE IN OPERATING CURRENT