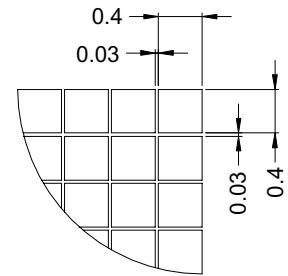
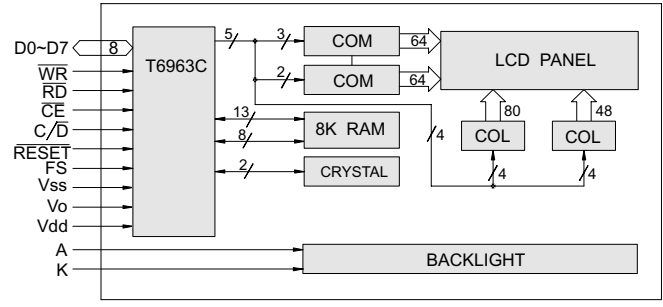
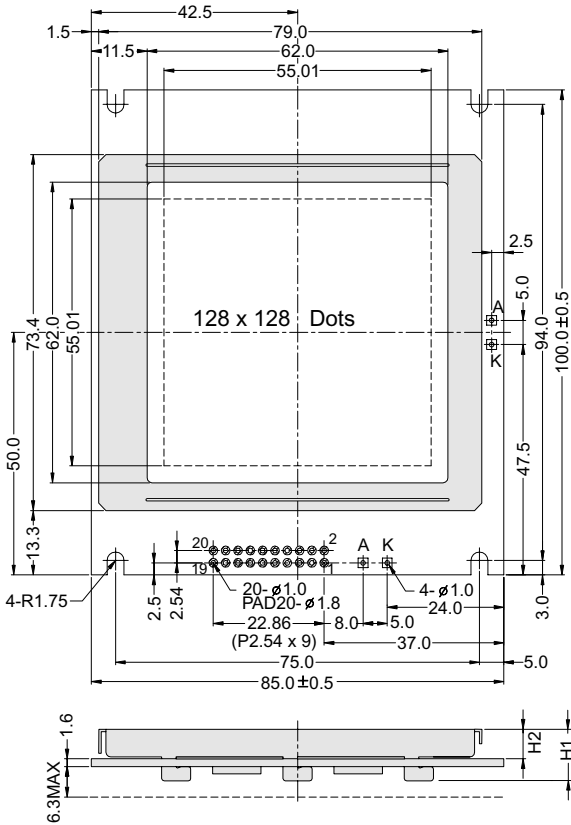




OUTLINE DIMENSION & BLOCK DIAGRAM



The tolerance unless classified $\pm 0.3\text{mm}$

| MECHANICAL SPECIFICATION | | | |
|--------------------------|--------------|---------|------------|
| Overall Size | 85.0 x 100.0 | Module | H2 / H1 |
| View Area | 62.0 x 62.0 | W/O B/L | 6.1 / 14.0 |
| Dot Size | 0.40 x 0.40 | EL B/L | 6.1 / 14.0 |
| Dot Pitch | 0.43 x 0.43 | LED B/L | 9.2 / 14.0 |

| PIN ASSIGNMENT | | |
|----------------|------------------------|-----------------------|
| Pin no. | Symbol | Function |
| 1 | FGND | Frame ground |
| 2 | Vss | Power supply(GND) |
| 3 | Vdd | Power supply(+) |
| 4 | Vo | Contrast Adjust |
| 5 | $\overline{\text{WR}}$ | Data write |
| 6 | $\overline{\text{RD}}$ | Data read |
| 7 | $\overline{\text{CE}}$ | Chip enable |
| 8 | C/D | Command / data select |
| 9 | NC | No connection |
| 10 | RESET | Reset |
| 11-18 | DB0-DB7 | Data bus line |
| 19 | FS | Font selection |
| 20 | NC | No connection |

| ABSOLUTE MAXIMUM RATING | | | | | | | | |
|----------------------------------|-----------|-----------|------|---------|-------|-------|------|---|
| Item | Symbol | Condition | Min. | Max. | Units | | | |
| Supply for logic voltage | Vdd-Vss | 25°C | -0.3 | 7.0 | V | | | |
| LCD driving supply voltage | Vdd-Vee | 25°C | 0 | 22.0 | V | | | |
| Input voltage | Vin | 25°C | -0.3 | Vdd+0.3 | V | | | |
| ELECTRICAL CHARACTERISTICS | | | | | | | | |
| Item | Symbol | Condition | Min. | Typical | Max. | Units | | |
| Power supply voltage | Vdd-Vss | 25°C | 4.5 | - | 5.5 | V | | |
| LCD operation voltage | Vop | Top | N | W | N | W | V | |
| | | -20°C | - | - | - | - | V | |
| | | 0°C | 18.1 | - | 19 | - | 20 | V |
| | | 25°C | 17.5 | - | 18.4 | - | 19.3 | V |
| | | 50°C | 16.5 | - | 17.4 | - | 18.3 | V |
| | | 70°C | - | - | - | - | - | V |
| LCM current consumption (No B/L) | Idd | Vdd=5V | - | 8.0 | - | mA | | |
| Backlight current consumption | LED/edge | VB/L=4.2V | - | - | - | mA | | |
| | LED/array | VB/L=4.2V | - | 450 | - | mA | | |

REMARK

LCD option: STN, TN, FSTN

Backlight Option: LED,EL Backlight feature, other Specs not available on catalog is under request.

