

General Description

The AAT1299 is a high efficiency, synchronous, fixed frequency, step-up converter with start-up inrush current limit and short-circuit protection. The input voltage ranges from 1.0V to the output voltage.

The high 2MHz switching frequency and completely integrated control circuitry minimize the total solution footprint area while maintaining excellent regulation, ripple, and transient response throughout the full load range.

Light load switching frequency modulation and low quiescent current maintain high efficiency performance for light load and sleep mode conditions.

With a 1A peak switch current limit, the AAT1299 is capable of delivering 200mA to the load from a 1.8V input.

The AAT1299 is available in a Pb-free, space-saving 2.0x2.1mm 8-pin SC70JW or 2.2x2.2mm 10-pin STDFN package, or in die form and is rated over the -40°C to +85°C temperature range.

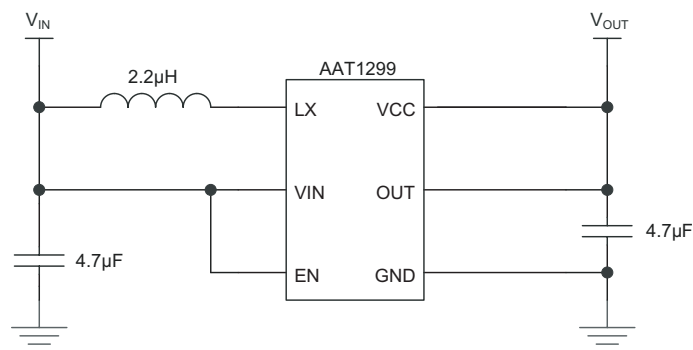
Features

- 200mA Output from a 1.8V Input
- V_{IN} Operation Range: 1.0V to V_{OUT}
- Up to 93% Efficiency
- Low Start-Up Voltage: 1.0V Typical
- Internal Synchronous Rectifier
- Current Mode Control with Internal Feedback and Compensation
- 2MHz Fixed Switching Frequency
- 1A Current Limit
- Maintains High Efficiency Over the Output Current Range for Improved Battery Life
- Low 40 μ A No Load Bias Current
- Short-Circuit and Over-Current Protection
- Inrush Current Limit and Soft Start
- Low Shutdown Current: <1.0 μ A
- -40°C to +85°C Temperature Range
- 2.0x2.1mm SC70JW-8 or 2.2x2.2mm 10-pin STDFN Package or Die

Applications

- Bluetooth™ Headsets
- Digital Cameras
- Medical Instruments
- Mobile Handsets
- MP3 and Portable Music Players

Typical Application



Pin Descriptions

Pin #		Symbol	Function
SC70JW-8	STDFN-10		
1	5	VCC	Bias supply voltage after start-up and feedback to the output voltage error amplifier.
2	4	EN	Enable pin. Logic high enables the IC. Logic low disables the IC and disconnects the load from the input. Shutdown current is <math><1\mu\text{A}</math>.
3	3	VIN	Input voltage. Supplies the IC at start-up.
4	1, 2	LX	Inductor connection. Ties to the drains of the P-channel synchronous rectifier and the N-channel MOSFET switch.
5	9	OUT	Boost converter output voltage; connects to the P-channel synchronous MOSFET source. Bypass with ceramic capacitor to GND.
6, 7, 8	7	GND	Signal and power ground. Connect output capacitor return.
N/A	6, 8, 10	N/C	Not connected.
N/A	EP		Exposed paddle (bottom). Connect to ground as closely as possible to the device.

Pin Configuration



Die

Contact your local AnalogicTech Sales representative.

Absolute Maximum Ratings¹

Symbol	Description	Value	Units
V_N	VIN, OUT, VCC, LX to GND	-0.3 to 6.0	V
V_{EN}	EN to GND	-0.3 to V_{IN}	V
T_J	Operating Junction Temperature Range	-40 to 150	°C
T_{LEAD}	Maximum Soldering Temperature (at leads, 10 sec)	300	°C

Thermal Characteristics²

Symbol	Description		Value	Units
θ_{JA}	Thermal Resistance	SC70JW-8	160	°C/W
		STDFN-10	50	
P_D	Maximum Power Dissipation	SC70JW-8	625	mW
		STDFN-10	2	W

1. Stresses above those listed in Absolute Maximum Ratings may cause damage to the device. Functional operation at conditions other than the operating conditions specified is not implied. Only one Absolute Maximum Rating should be applied at any one time.
 2. Mounted on a FR4 board.

Electrical Characteristics¹

$V_{IN} = 1.8V$, $T_A = -40^{\circ}C$ to $+85^{\circ}C$, unless otherwise noted. Typical values are $T_A = 25^{\circ}C$.

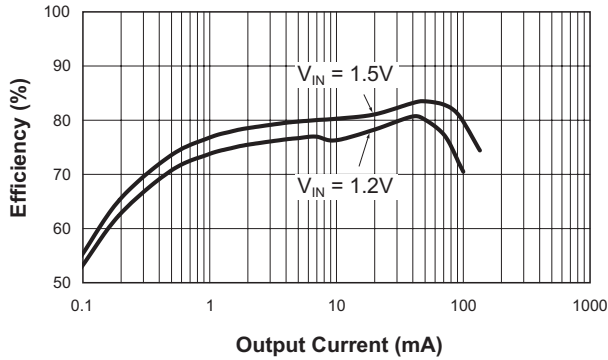
Symbol	Description	Conditions	Min	Typ	Max	Units
V_{IN}	Minimum Start-Up Voltage	$I_{LOAD} = 1mA$		1.0		V
	Operating Input Voltage Range		1.0		V_{OUT}	
V_{OUT}	Output Voltage Accuracy	$V_{IN} = 1.0V$ to $2.5V$, PWM Mode	$V_{OUT} - 0.1$		$V_{OUT} + 0.1$	V
I_Q	Quiescent Supply Current (Light Load Operation) ²	No Load		40	70	μA
I_{SHDN}	Shutdown Current	$EN = 0V$, $V_{IN} = 5.5V$			1.0	μA
$R_{DS(ON)H}$	PMOS On-Resistance	$T_A = 25^{\circ}C$		750		$m\Omega$
$R_{DS(ON)L}$	NMOS On-Resistance	$T_A = 25^{\circ}C$		400		$m\Omega$
I_{LIMIT}	NMOS Current Limit			1.0		A
I_{LL}	Light Load Current Threshold			30		mA
η	Efficiency	$I_{OUT} = 50mA$, $L = 2.2\mu H$		85		%
$\Delta V_{OUT}/V_{OUT}$	Load Regulation	$I_{LOAD} = 0$ to $100mA$		1.5		%
$\Delta V_{OUT}/V_{OUT}/\Delta V_{IN}$	Line Regulation	$V_{IN} = 1.0V$ to $2.5V$		0.2		%/V
F_{OSC}	Switching Frequency	$T_A = 25^{\circ}C$	1.8	2.0	2.2	MHz
D_{TYMAX}	Maximum Duty Cycle			90		%
$V_{TH(L-IN)}$	Logic Input Low Threshold for EN				0.4	V
$V_{TH(H-IN)}$	Logic Input High Threshold for EN		1.0			V

1. The AAT1299 is guaranteed to meet performance specifications over the $-40^{\circ}C$ to $+85^{\circ}C$ operating temperature range and is assured by design, characterization, and correlation with statistical process controls.

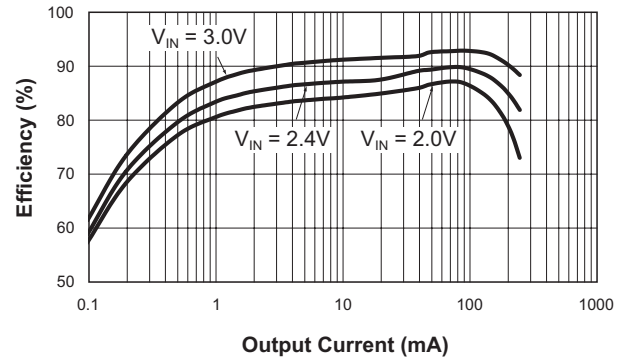
2. $I_Q = I_{Q_VOUT} = I_{Q_VCC}$.

Typical Characteristics

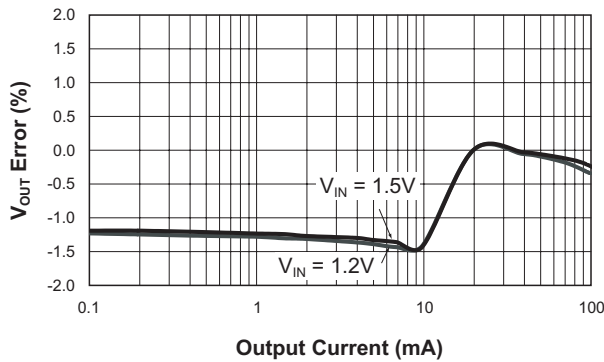
Single-Cell to 3.3V Efficiency



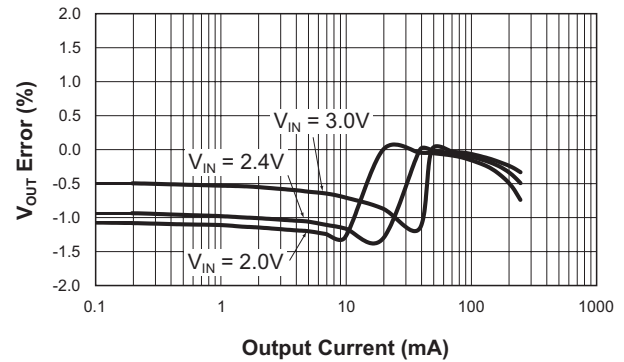
Dual-Cell to 3.3V Efficiency



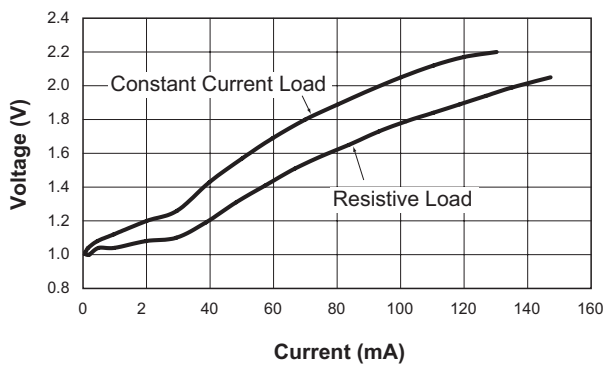
**Single-Cell Load Regulation
($V_o = 3.3V$)**



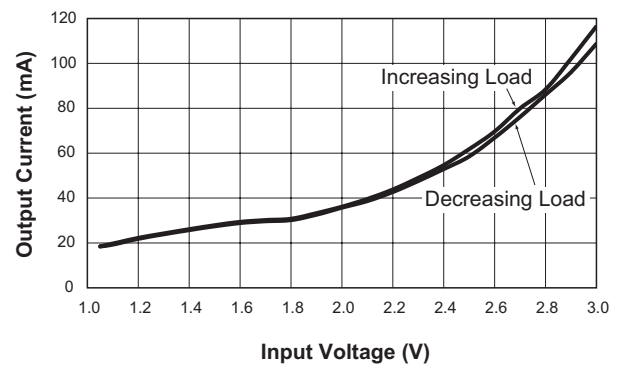
**Dual-Cell Load Regulation
($V_o = 3.3V$)**



Minimum Start-Up Voltage vs. Load Current

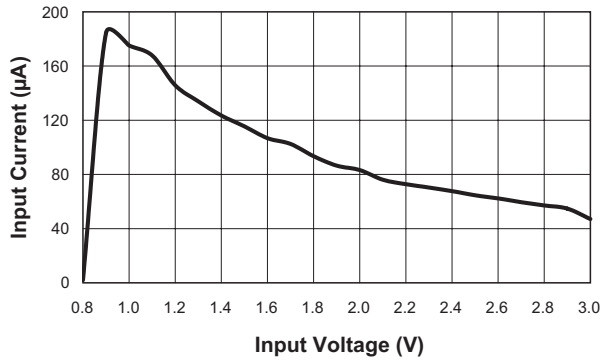


**Light Load Mode Output Current
Threshold vs. Input Voltage**

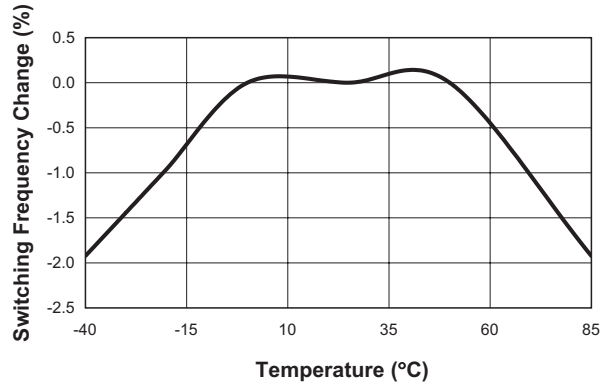


Typical Characteristics

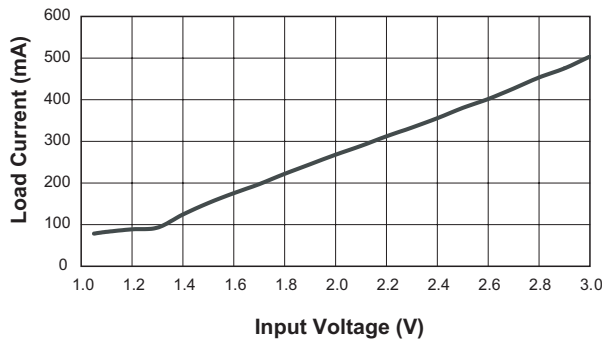
No Load Input Current vs. Input Voltage



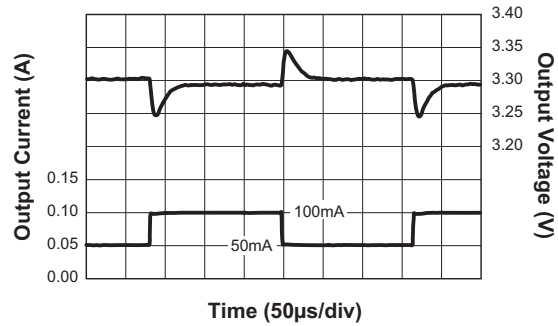
Switching Frequency vs. Temperature



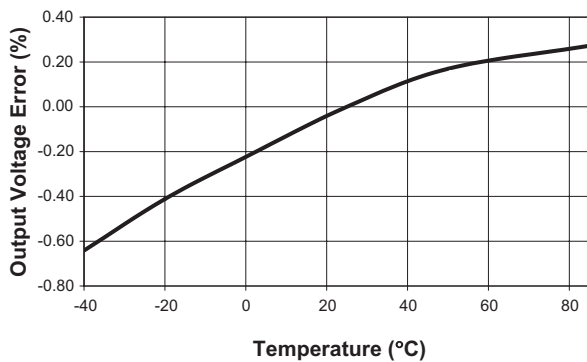
Maximum Load Current Capacity for a 4% Drop in Output Voltage vs. Input Voltage
($V_{OUT} = 3.3V$)



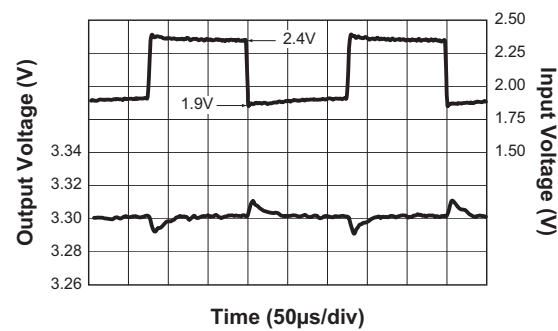
Load Transient Response
($V_{IN} = 1.2V$; $L = 2.2\mu H$; $C_O = 4.7\mu F$)



Output Voltage vs. Temperature
($V_{IN} = 1.5V$; $I_O = 10mA$)

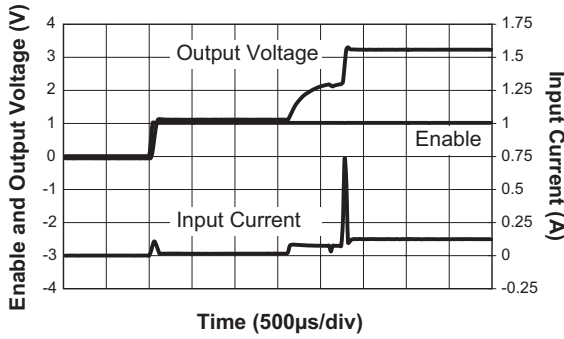


Line Transient Response
($I_O = 50mA$; $L = 2.2\mu H$; $C_O = 4.7\mu F$)

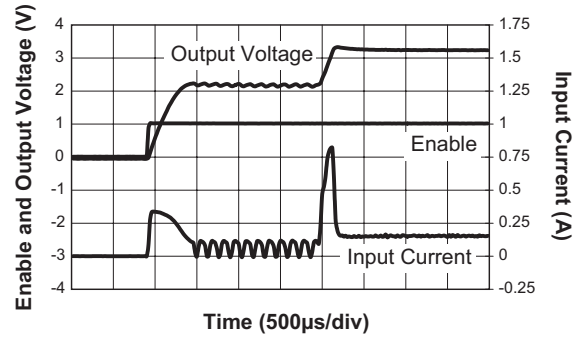


Typical Characteristics

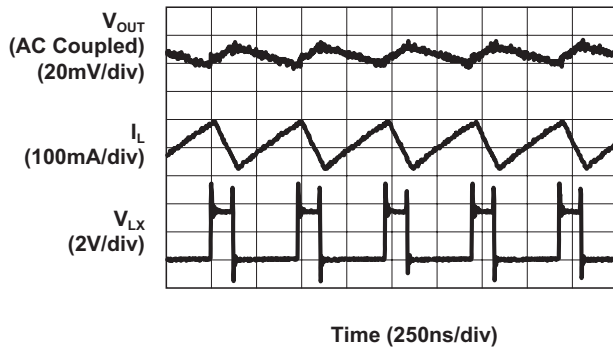
Soft-Start Inrush Current
 $(V_{IN} = 1.2V; I_O = 40mA; V_O = 3.3V)$



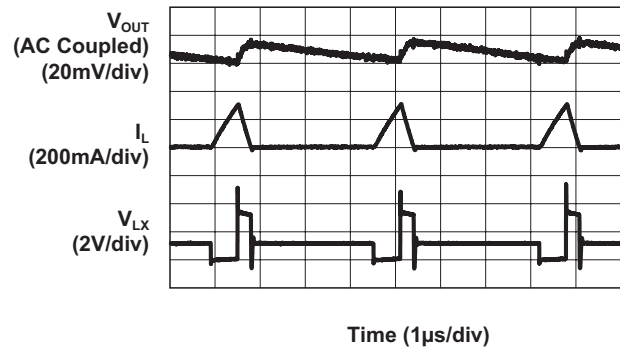
Soft-Start Inrush Current
 $(V_{IN} = 2.4V; I_O = 100mA; V_O = 3.3V)$



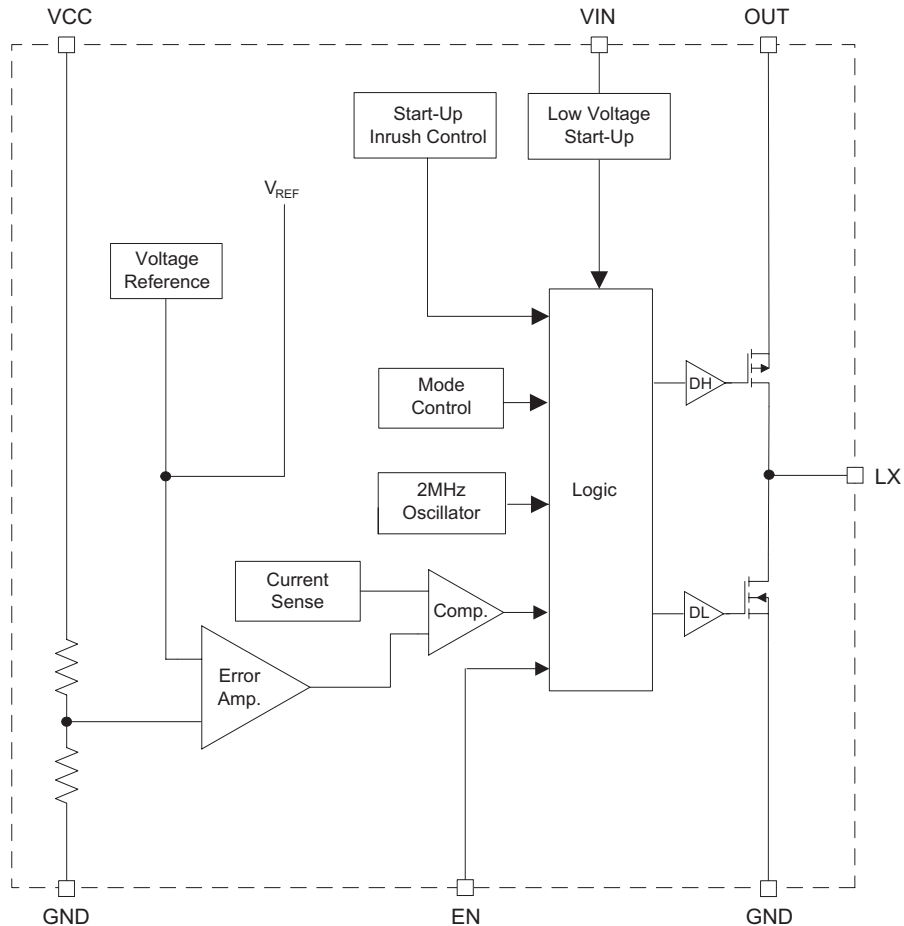
Full Load Output Ripple
 $(V_{IN} = 1.2V; 100mA \text{ Load})$



Light Load Output Ripple
 $(V_{IN} = 1.2V; 10mA \text{ Load})$



Functional Block Diagram



Functional Description

The AAT1299 synchronous step-up converter is targeted for single- or dual-cell alkaline, NiMH, and NiCd battery applications. It has a 1V typical start-up voltage.

The high 2MHz switching frequency of the AAT1299 facilitates output filter component size reduction for improved power density and reduced overall footprint. It also provides greater bandwidth and improved transient response over other lower

frequency step-up converters. The compensation and feedback is integrated with only three external components (C_{IN} , C_{OUT} , L).

Low $R_{DS(ON)}$ synchronous power switches provide high efficiency for heavy load conditions. Switching frequency modulation and low quiescent current maintains this high efficiency for light load and sleep mode conditions.

In addition to the improved efficiency, the synchronous boost has the added performance advantage of inrush current limit and short-circuit protection.

PWM / Light Load Control

The AAT1299 is a fixed frequency PWM peak current mode control step-up converter. For light load conditions (10 to 20mA and below), the converter transitions to a light load mode to reduce the dominant switching losses. In addition to light load operation, a zero current comparator blocks reverse current in the P-channel synchronous MOSFET, forcing DCM operation at light load. These controls, along with very low quiescent current, help to maintain high efficiency over the complete load range without the compromise of increased output voltage ripple during light load conditions.

Start-up and Inrush Current Limit

The start-up sequence of the AAT1299 varies depending upon whether the input voltage is greater than or less than 2V. Above 1V, a start-up oscillator operating at 25% duty cycle controls the synchronous power stage and charges the output to 2V. For an input voltage greater than 2V, the output is charged at a constant current of 300mA until the output reaches a voltage level just below the input voltage. The step-up converter then takes control and continues to charge the output to the steady-state voltage. The step-up converter N-channel switch current is limited to 1A and the typical start-up time is 2.5ms.

Short-Circuit Protection

The P-channel synchronous MOSFET body diode gives the AAT1299 the ability to provide output short-circuit current limit protection.

Applications Information

Inductor Selection

The AAT1299 is designed to operate with a 2.2 μ H inductor for all input/output voltage combinations. The inductor saturation current rating should be greater than the NMOS current limit specification listed in the Electrical Characteristics table. If necessary, the peak inductor current can exceed the saturation level by a small amount with no significant effect on performance. Table 1 provides a list of some suggested inductor manufacturers and their part numbers.

Output and Input Capacitor Selection

Surface mount X5R or X7R ceramic capacitors are suggested for both the output and the input. For the output capacitor (C1 in Figure 4) a 4.7 μ F, 10V, X5R ceramic capacitor is necessary for stability, transient response, and ripple performance. The same 0805 sized capacitor is used for the input (C2 of Figure 4). If desired, a smaller, 0603 sized, 4.7 μ F, 6.3V, X5R ceramic capacitor can be substituted for the input capacitor (C2). Suggested ceramic capacitor suppliers are listed in Table 1.

PCB Layout Guidelines

Figures 1, 2, and 3 display the evaluation board layout and suggested component placement. Due to the high switching speed of the AAT1299, it is important that the evaluation board layout be followed. Even the best switch-mode power supply design cannot overcome the problems that can be caused by a poor layout.

For the AAT1299, it is necessary that C1 and C2 be placed as close as possible to the IC with a good low impedance path to the GND pins of the IC. It is also good practice to minimize the length of the trace from the OUT pin to the output inductor. This prevents switching noise from radiating into other high noise sensitive, high impedance circuits.

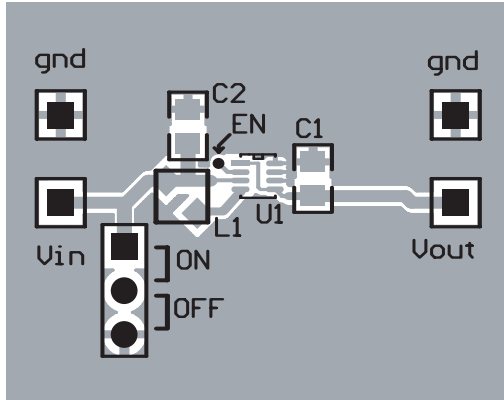


Figure 1: AAT1299 Evaluation Board Top Side.

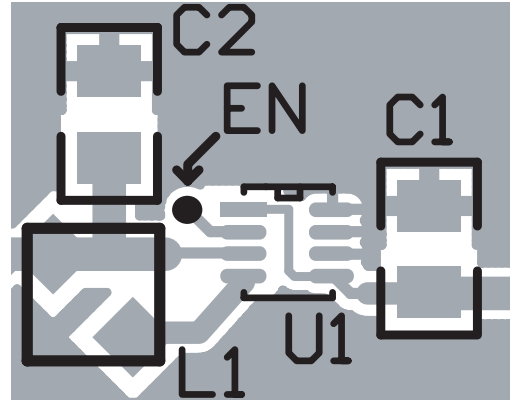


Figure 2: Component Placement.

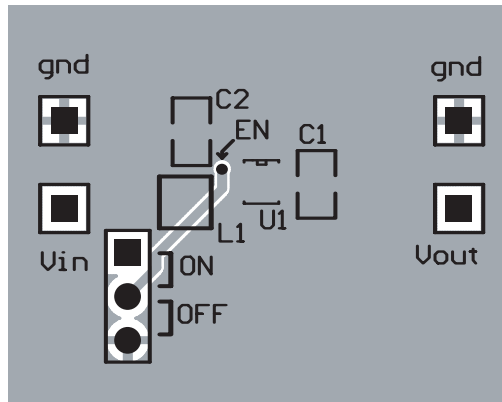


Figure 3: AAT1299 Evaluation Board Bottom Side.

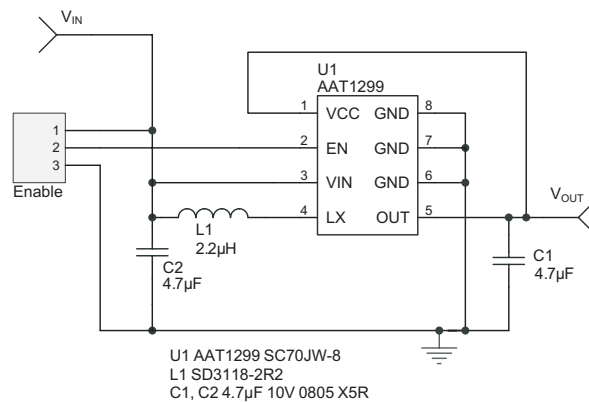


Figure 4: AAT1299 Evaluation Board Schematic.

Manufacturer	Value	Part	Voltage	Case Size	Part Number
Murata www.murata.com	4.7 μ F	Output or Input Capacitor	10V	0805	GRM21BR61A475KA73L
		Input Capacitor	6.3V	0603	GRM188R60J475KE19D
TDK www.tdk.com	4.7 μ F	Output or Input Capacitor	10V	0805	C2012X5R1A475K
		Input Capacitor	6.3V	0603	C1608X5ROJ475K
Taiyo Yuden www.t-yuden.com	4.7 μ F	Output or Input Capacitor	10V	0805	LMK212BJ475MG
		Input Capacitor	6.3V	0603	JMK107BJ475MA

Manufacturer	Value	Part	I _{SAT}	DCR	Case Size	Part Number
Sumida www.sumida.com	2.2 μ H	Inductor	1.50A	75m Ω	3.2 x 3.2 x 1.55	CDRH2D14-2R2
Cooper Electronics www.cooperet.com	2.2 μ H	Inductor	1.62A	69m Ω	3.1 x 3.1 x 1.85	SD3118-2R2

Table 1: Suggested Component Selection.

Ordering Information

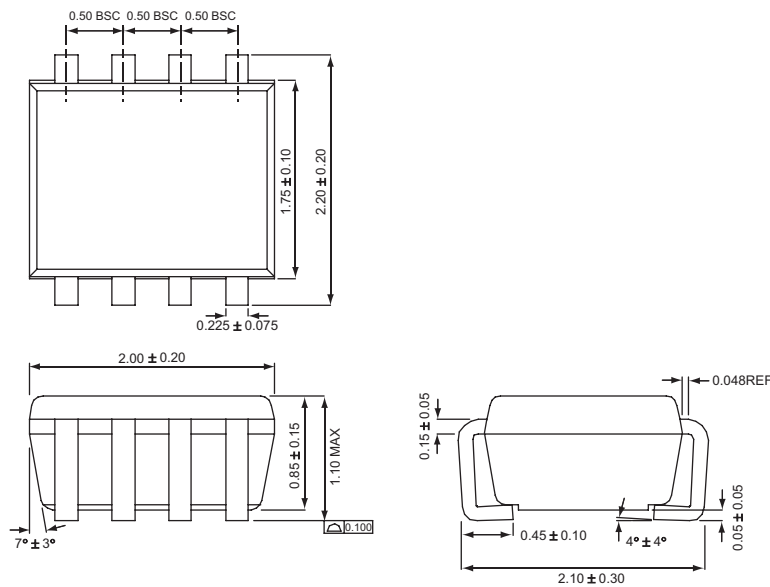
Voltage	Package	Marking ¹	Part Number (Tape and Reel) ²
3.3V	SC70JW-8	YRXY	AAT1299IJS-3.3-T1
3.3V	2.2x2.2mm STDFN-10	YQXY	AAT1299IOQ-3.3-T1
3.3V	Die	AAT1299	AAT1299IZZ-3.3



All AnalogicTech products are offered in Pb-free packaging. The term “Pb-free” means semiconductor products that are in compliance with current RoHS standards, including the requirement that lead not exceed 0.1% by weight in homogeneous materials. For more information, please visit our website at <http://www.analogictech.com/pbfree>.

Package Information³

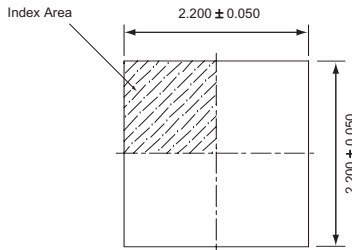
SC70JW-8



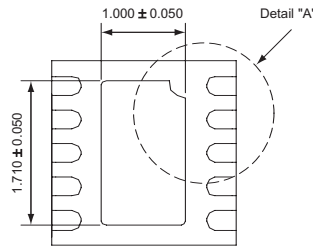
All dimensions in millimeters.

1. XYY = assembly and date code.
2. Sample stock is generally held on part numbers listed in **BOLD**.
3. The leadless package family, which includes QFN, TQFN, DFN, TDFN and STDFN, has exposed copper (unplated) at the end of the lead terminals due to the manufacturing process. A solder fillet at the exposed copper edge cannot be guaranteed and is not required to ensure a proper bottom solder connection.

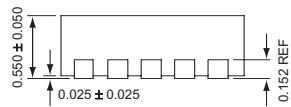
STDFN-10



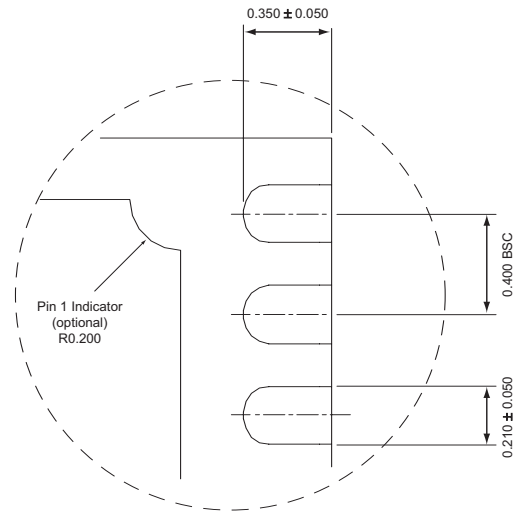
Top View



Bottom View



Side View



Detail "A"

Die

Please contact your local AnalogicTech Sales representative.

© Advanced Analogic Technologies, Inc.

AnalogicTech cannot assume responsibility for use of any circuitry other than circuitry entirely embodied in an AnalogicTech product. No circuit patent licenses, copyrights, mask work rights, or other intellectual property rights are implied. AnalogicTech reserves the right to make changes to their products or specifications or to discontinue any product or service without notice. Except as provided in AnalogicTech's terms and conditions of sale, AnalogicTech assumes no liability whatsoever, and AnalogicTech disclaims any express or implied warranty relating to the sale and/or use of AnalogicTech products including liability or warranties relating to fitness for a particular purpose, merchantability, or infringement of any patent, copyright or other intellectual property right. In order to minimize risks associated with the customer's applications, adequate design and operating safeguards must be provided by the customer to minimize inherent or procedural hazards. Testing and other quality control techniques are utilized to the extent AnalogicTech deems necessary to support this warranty. Specific testing of all parameters of each device is not necessarily performed. AnalogicTech and the AnalogicTech logo are trademarks of Advanced Analogic Technologies Incorporated. All other brand and product names appearing in this document are registered trademarks or trademarks of their respective holders.

Advanced Analogic Technologies, Inc.
830 E. Arques Avenue, Sunnyvale, CA 94085
Phone (408) 737-4600
Fax (408) 737-4611

