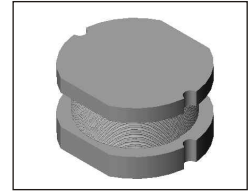


SMT Power Inductor

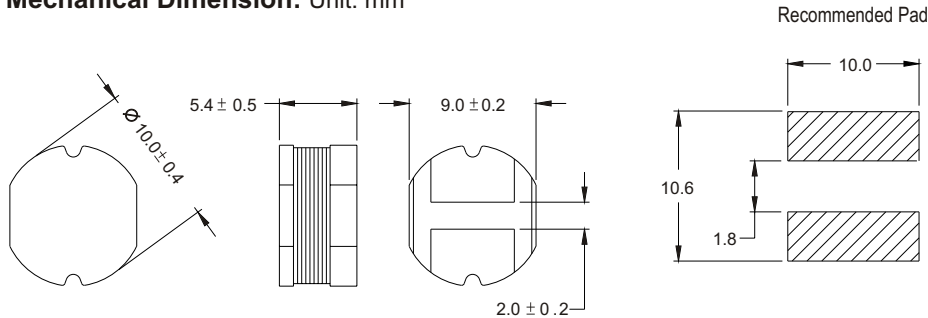
SI106 Type

Features

- Low profile (5.9mm max. height) SMD type.
- Unshielded.
- Self-leads, suitable for high density mounting.
- High energy storage and low DCR.
- Provided with embossed carrier tape packing.
- Ideal for power source circuits, DC-DC converter, DC-AC inverters inductor application.
- In addition to the standard versions shown here, custom inductors are available to meet your exact requirements.

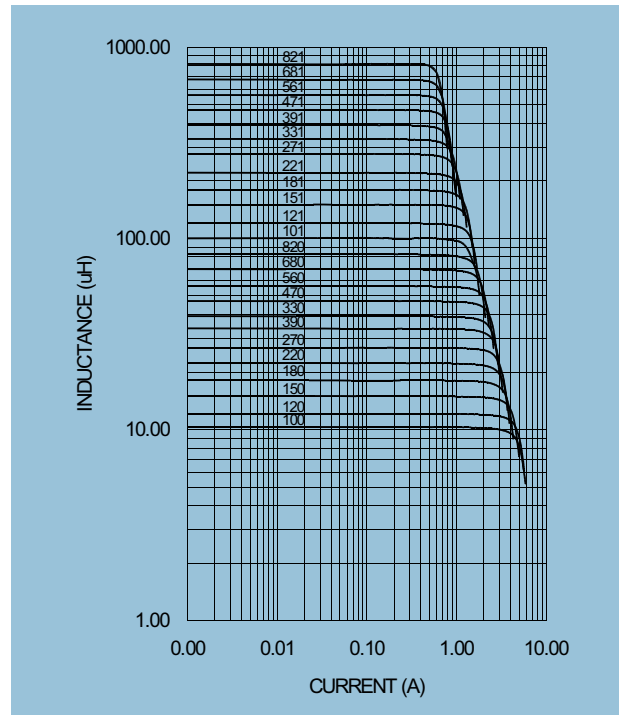


Mechanical Dimension: Unit: mm



Electrical Characteristics:

PART NO.	L* (μ H)	DCR (Ω) MAX	I _{RATED} ** (A dc)
SI106 - 100	10	0.06	2.60
SI106 - 120	12	0.07	2.45
SI106 - 150	15	0.08	2.27
SI106 - 180	18	0.09	2.15
SI106 - 220	22	0.10	1.95
SI106 - 270	27	0.11	1.76
SI106 - 330	33	0.12	1.50
SI106 - 390	39	0.14	1.37
SI106 - 470	47	0.17	1.28
SI106 - 560	56	0.19	1.17
SI106 - 680	68	0.22	1.11
SI106 - 820	82	0.25	1.00
SI106 - 101	100	0.35	0.97
SI106 - 121	120	0.40	0.89
SI106 - 151	150	0.47	0.78
SI106 - 181	180	0.63	0.72
SI106 - 221	220	0.73	0.66
SI106 - 271	270	0.97	0.57
SI106 - 331	330	1.15	0.52
SI106 - 391	390	1.30	0.48
SI106 - 471	470	1.48	0.42
SI106 - 561	560	1.90	0.33
SI106 - 681	680	2.25	0.28
SI106 - 821	820	2.55	0.24



★ Tolerance of inductance
10~820uH \pm 10%

★★ I_{RATED}: rated current. $\Delta L < 10\%$, $\Delta T < 45^\circ\text{C}$ at I_{RATED}

★★★ Operating temperature: -20°C to 105°C (including self-temperature rise)

★★★★ Test condition at 25°C : 1KHz, 1V



DELTA ELECTRONICS, INC.

(TAOYUAN PLANT CPBG) 252, SAN YING ROAD, KUEISAN INDUSTRIAL ZONE, TAOYUAN SHIEN, 333, TAIWAN, R.O.C.

TEL: 886-3-3591968; FAX: 886-3-3591991

<http://www.deltaww.com>