

SR SERIES

Coils and Chokes for general use

R.F. I SUPPRESSION INDUCTANCES

The chokes included in this series have been specially designed in order to be used whether in small household appliances or directly in the printed circuit board, together with "Cx" and "Cy" additional capacitors to carry out the filtering process.

There are three different types of axial chokes, each one fitting a special requirement:

Type A: without isolation.

Type B: covered with UL tube.

Type C: covered with UL tube + flexible leads.

Features

- Working voltage: 250 Vac.
- Value margin: from 2 μ H to 60 μ H.

Coding

SR - 6R0 - 10

SR = Type

6R0 = Inductance code

10 = Tolerance

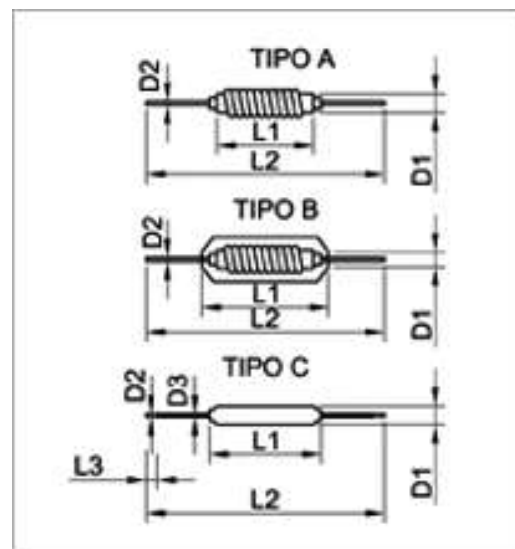
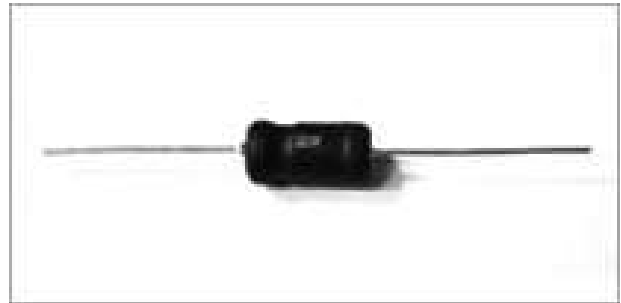


Table of dimensions

Code	"L"	Current	Type A mm				Type B mm				Type C mm					SRF Freq. TYP.
			D1	D2	L1	L2	D1	D2	L1	L2	D1	D2	D3	L1	L2	
SR-2PRO-20	2 μ H	2 Amp	5	0.6	18	60	6	0.6	18	60	6	0.8	1.7	18	110	1.6 MHz
SR-2PRO-20	4 μ H	2 Amp	5.5	0.65	22	60	6.5	0.65	22	60	6.5	0.8	1.7	25	110	1.6 MHz
SR-2PRO-20	6 μ H	1 Amp	5	0.6	18	60	6	0.6	18	60	6	0.8	1.7	18	110	1.6 MHz
SR-2PRO-20	10 μ H	1 Amp	5.5	0.65	22	60	6.5	0.65	22	60	6.5	0.8	1.7	25	110	1.6 MHz
SR-2PRO-20	10 μ H	2 Amp	7	0.8	30	60	8	0.8	30	60	8	0.8	1.7	35	110	1.6 MHz
SR-2PRO-20	15 μ H	0.5 Amp	5	0.6	18	60	6	0.6	18	60	6	0.8	1.7	18	110	160 KHz
SR-2PRO-20	25 μ H	0.5 Amp	5.5	0.65	22	60	6.5	0.65	22	60	6.5	0.8	1.7	25	110	160 KHz
SR-2PRO-20	25 μ H	1 Amp	7	0.8	30	60	8	0.8	30	60	8	0.8	1.7	35	110	160 KHz
SR-2PRO-20	60 μ H	0.5 Amp	7	0.8	30	60	8	0.8	30	60	8	0.8	1.7	35	110	160 KHz
tolerance:	-	-	± 2	± 0.2	± 2	MIN.	± 2	± 0.2	± 2	MIN.	± 0.2	± 0.2	± 2	± 2	MIN.	-

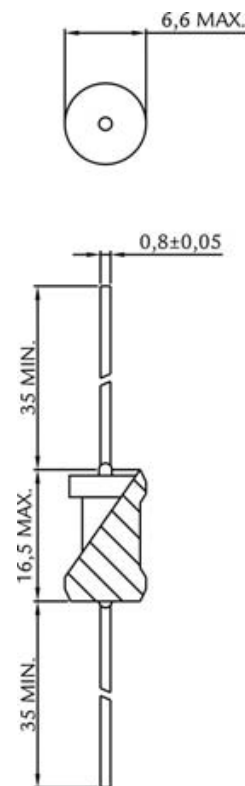
SR SERIES

Coils and Chokes for general use

SR-0513

Code	Inductance (μH) $\pm 10\%$	Resistance DC (Ω) Max	I Sat (A) Max	I rms (A) Max
SR0513-3R9K	3,9	0,019	7,3	1,28
SR0513-4R7K	4,7	0,022	6,3	1,28
SR0513-5R6K	5,6	0,024	5,6	1,28
SR0513-6R8K	6,8	0,026	5,3	1,28
SR0513-8R2K	8,2	0,028	4,5	1,28
SR0513-100K	10	0,033	4,1	1,28
SR0513-120K	12	0,037	3,6	1,28
SR0513-150K	15	0,040	3,3	1,28
SR0513-180K	18	0,044	3,0	1,28
SR0513-220K	22	0,050	2,7	1,28
SR0513-270K	27	0,058	2,5	1,28
SR0513-330K	33	0,075	2,2	1,008
SR0513-390K	39	0,094	2,0	0,804
SR0513-470K	47	0,109	1,8	0,804
SR0513-560K	56	0,140	1,7	0,804
SR0513-680K	68	0,145	1,5	0,804
SR0513-820K	82	0,152	1,4	0,804
SR0513-101K	100	0,208	1,2	0,632
SR0513-121K	120	0,283	1,1	0,508
SR0513-151K	150	0,340	1,0	0,508
SR0513-181K	180	0,62	0,95	0,508
SR0513-221K	220	0,430	0,86	0,508
SR0513-271K	270	0,557	0,77	0,400
SR0513-331K	330	0,665	0,70	0,400
SR0513-391K	390	0,772	0,64	0,400
SR0513-471K	470	1,15	0,59	0,315
SR0513-561K	560	1,27	0,54	0,315
SR0513-681K	680	1,61	0,49	0,250
SR0513-821K	820	1,96	0,44	0,200
SR0513-102K	1000	2,30	0,40	0,200
SR0513-122K	1200	2,65	0,35	0,200
SR0513-152K	1500	3,45	0,33	0,158
SR0513-182K	1800	4,03	0,29	0,158
SR0513-222K	2200	4,48	0,27	0,158
SR0513-272K	2700	5,90	0,24	0,125
SR0513-332K	3300	6,56	0,22	0,125
SR0513-392K	3900	8,63	0,20	0,100
SR0513-472K	4700	10,5	0,18	0,100
SR0513-562K	5600	13,9	0,166	0,082
SR0513-682K	6800	16,3	0,151	0,082
SR0513-822K	8200	20,8	0,136	0,065
SR0513-103K	10000	26,4	0,125	0,050
SR0513-123K	12000	29,2	0,114	0,050
SR0513-153K	15000	42,5	0,098	0,039
SR0513-183K	18000	48,3	0,091	0,039

Dimensions in mm:



SR SERIES

Coils and Chokes for general use

Inductive Components for General Applications

SR-1019

Code	Inductance (μH) $\pm 10\%$	Resistance DC (Ω) Max	I Sat (A) Max	I rms (A) Max
SR1019-3R9K	3,9	0,007	15,5	4,0
SR1019-4R7K	4,7	0,008	13,9	4,0
SR1019-5R6K	5,6	0,011	12,6	4,0
SR1019-6R8K	6,8	0,011	11,6	4,0
SR1019-8R2K	8,2	0,013	9,89	4,0
SR1019-100K	10	0,017	8,7	4,0
SR1019-120K	12	0,019	8,21	4,0
SR1019-150K	15	0,022	7,34	4,0
SR1019-180K	18	0,023	6,64	4,0
SR1019-220K	22	0,026	6,07	4,0
SR1019-270K	27	0,027	5,36	4,0
SR1019-330K	33	0,032	4,82	4,0
SR1019-390K	39	0,033	4,36	4,0
SR1019-470K	47	0,035	3,98	4,0
SR1019-560K	56	0,037	3,66	3,2
SR1019-680K	68	0,047	3,31	2,5
SR1019-820K	82	0,060	3,10	2,0
SR1019-101K	100	0,090	2,79	1,6
SR1019-121K	120	0,113	2,54	1,6
SR1019-151K	150	0,129	2,22	1,6
SR1019-181K	180	0,150	1,98	1,6
SR1019-221K	220	0,162	1,89	1,6
SR1019-271K	270	0,208	1,63	1,6
SR1019-331K	330	0,212	1,51	1,6
SR1019-391K	390	0,281	1,39	1,6
SR1019-471K	470	0,380	1,24	1,2
SR1019-561K	560	0,420	1,17	1,0
SR1019-681K	680	0,548	1,05	1,0
SR1019-821K	820	0,655	0,97	0,8
SR1019-102K	1000	0,844	0,87	0,8
SR1019-122K	1200	1,04	0,79	0,6
SR1019-152K	1500	0,18	0,70	0,6
SR1019-182K	1800	1,56	0,64	0,6
SR1019-222K	2200	2,00	0,58	0,5
SR1019-272K	2700	2,06	0,53	0,4
SR1019-332K	3300	2,53	0,47	0,4
SR1019-392K	3900	2,75	0,43	0,4
SR1019-472K	4700	3,19	0,39	0,4
SR1019-562K	5600	3,92	0,359	0,315
SR1019-682K	6800	5,69	0,322	0,250
SR1019-822K	8200	6,32	0,293	0,250
SR1019-103K	10000	7,30	0,266	0,250
SR1019-123K	12000	9,21	0,241	0,200
SR1019-153K	15000	10,5	0,214	0,200
SR1019-183K	18000	14,8	0,198	0,158
SR1019-223K	22000	21,8	0,180	0,125
SR1019-273K	27000	22,7	0,162	0,125
SR1019-333K	33000	25,7	0,146	0,125
SR1019-393K	39000	31,8	0,135	0,100
SR1019-473K	47000	36,1	0,122	0,100
SR1019-563K	56000	40,9	0,112	0,100
SR1019-683K	68000	57,3	0,101	0,082
SR1019-823K	82000	79,3	0,090	0,065
SR1019-104K	100000	89,7	0,081	0,065

Dimensions in mm:

