

HT0313A

(5.0V SPECIFICATION)

65COM / 132SEG DRIVER & CONTROLLER FOR STN LCD

August. 2000.

VER 0.0

TOMATO LSI Inc.

HT0313A Specification revision history		
Version	Content	Date
0.0	1. Operating voltage range : VDD = 2.4V ~ 5.5V	August. 2000

CONFIDENTIAL

CONTENTS

1. INTRODUCTION	5
2. FEATURES	5
3. BLOCK DIAGRAM	7
4. PAD CONFIGURATION	8
4-1. Pad center coordinates	9
5. PIN DESCRIPTION	12
6. FUNCTIONAL DESCRIPTION	16
6-1. Microprocessor interface	16
a. Chip select input	
b. Interface	
c. Parallel interface (PS = "H")	
d. Serial interface (PS = "L")	
e. Busy flag	
f. Data accessing	
6-2. Display data RAM (DDRAM)	19
a. Display data RAM	
b. Page address circuit	
c. Column address circuit	
d. Line address circuit	
e. Segment control circuit	
6-3. LCD display circuit	22
a. Oscillator	
b. Display timing generator circuit	
c. Common output control circuit	
6-4. LCD driver circuit	23
6-5. Power supply circuits	24
a. Voltage converter circuits	
b. Voltage regulator circuits	
c. Voltage follower circuits	
d. High power mode	
6-6. Reference circuit examples	31
6-7. Reset circuit	33
7. PROGRAM INSTRUCTION	34
7-1. Read display data	35
7-2. Write display data	35
7-3. Read status	36
7-4. Display ON / OFF	36
7-5. Initial display line	36
7-6. Reference voltage select	37
7-7. Set page address	38
7-8. Set column address	38
7-9. ADC select	39
7-10. Reverse display ON / OFF	39
7-11. Entire display ON / OFF	39
7-12. Select LCD bias	39
7-13. Set modify-read	40
7-14. Reset modify-read	40
7-15. Reset	41
7-16. SHL select	41

7-17. Power control -----	41
7-18. Regulator resistor select -----	42
7-19. Set static indicator state -----	42
7-20. Power save (Compound instruction) -----	43
7-21. Referential instruction set flow-----	44
8. SPECIFICATIONS -----	48
8-1. Absolute maximum ratings -----	48
8-2. DC characteristics -----	48
8-3. AC characteristics -----	51
a. Read / write characteristics (8080-series MPU)	
b. Read / write characteristics (6800-series MPU)	
c. Serial interface characteristics	
d. Reset input timing	
e. Display control output timing	
9. REFERENCE APPLICATION -----	55
9-1. MPU interface -----	55
9-2. Connections between HT0313A and LCD panel -----	56
9-3. TCP pin layout (sample) -----	61
9-4. Application circuit for serial -----	62

1. INTRODUCTION

The HT0313A is a driver and controller LSI for graphic dot-matrix liquid crystal display systems. It contains 65 common and 132 segment driver circuits. This chip is connected directly to a microprocessor (MPU), accepts serial or 8-bit parallel display data and stores in an on-chip Display Data RAM (DDRAM) of 65 x 132 bits. It provides a high-flexible display section due to one to one correspondences between on-chip DDRAM bits and LCD panel pixels. And it performs DDRAM read / write operation with no externally operating clock to minimize power consumption. In addition, because it contains power supply circuits necessary to drive liquid crystal, it is possible to make a display system with the fewest components.

2. FEATURES

Driver output circuits

- 65 common outputs / 132 segment outputs

On-chip display data RAM (DDRAM)

- Capacity: 65 x 132=8,580 bits

Multi-chip operation

- Master and slave mode available

Applicable duty-ratios

Duty ratio	Applicable LCD bias	Maximum display area
1/65	1/7 or 1/9	65 x 132
1/49	1/6 or 1/8	49 x 132
1/33	1/5 or 1/6	33 x 132

Microprocessor (MPU) interface

- 8-bit parallel bi-directional interface with 6800-series or 8080-series
- Serial interface (write operation only)

Various Function set

- Display ON/OFF, set initial display line, set page address, set column address, read status, write / read display data, select segment driver output, reverse display ON/OFF, entire display ON/OFF, select LCD bias, set/reset modify-read, select common driver output, control display power circuit, select internal regulator resistor ratio for V0 voltage regulation, electronic volume, set static indicator state.
- H/W and S/W reset available
- Static drive circuit equipped internally for indicators with 4 flashing modes

Built-in analog circuits

- On-chip Oscillator circuit for display clock(external clock can also be used)
- High performance voltage converter
(with booster ratios of x2, x3, x4 and x5, where the step-up reference voltage can be used externally)
- High accuracy voltage regulator(Temperature coefficient: -0.05% / °C, -0.2% / °C mask option)
- Electronic contrast control function (64 steps)
- Vref = 2.0V ± 3% (V0 voltage adjustment voltage)
- High performance voltage follower
(V1 to V4 voltage divider resistors and OP-Amp for increasing drive capacity)

Operating voltage range

- Supply voltage (VDD): 2.4V to 5.5V
- LCD driving voltage (VLCD = V0 -VSS): 4.0V to 15.0V

Low power consumption

- Operating power: 50 μ A (Typ)
(VDD = 3V, x4 boosting, V0=11V, internal power supply ON, display OFF and normal mode is selected)
- Standby power: 10 μ A Max. (during power save[standby] mode)

Operating Temperatures

- Wide range of operating temperatures : -40 to 85

CMOS Process**Package type**

- Gold bumped chip and TCP available

3. BLOCK DIAGRAM

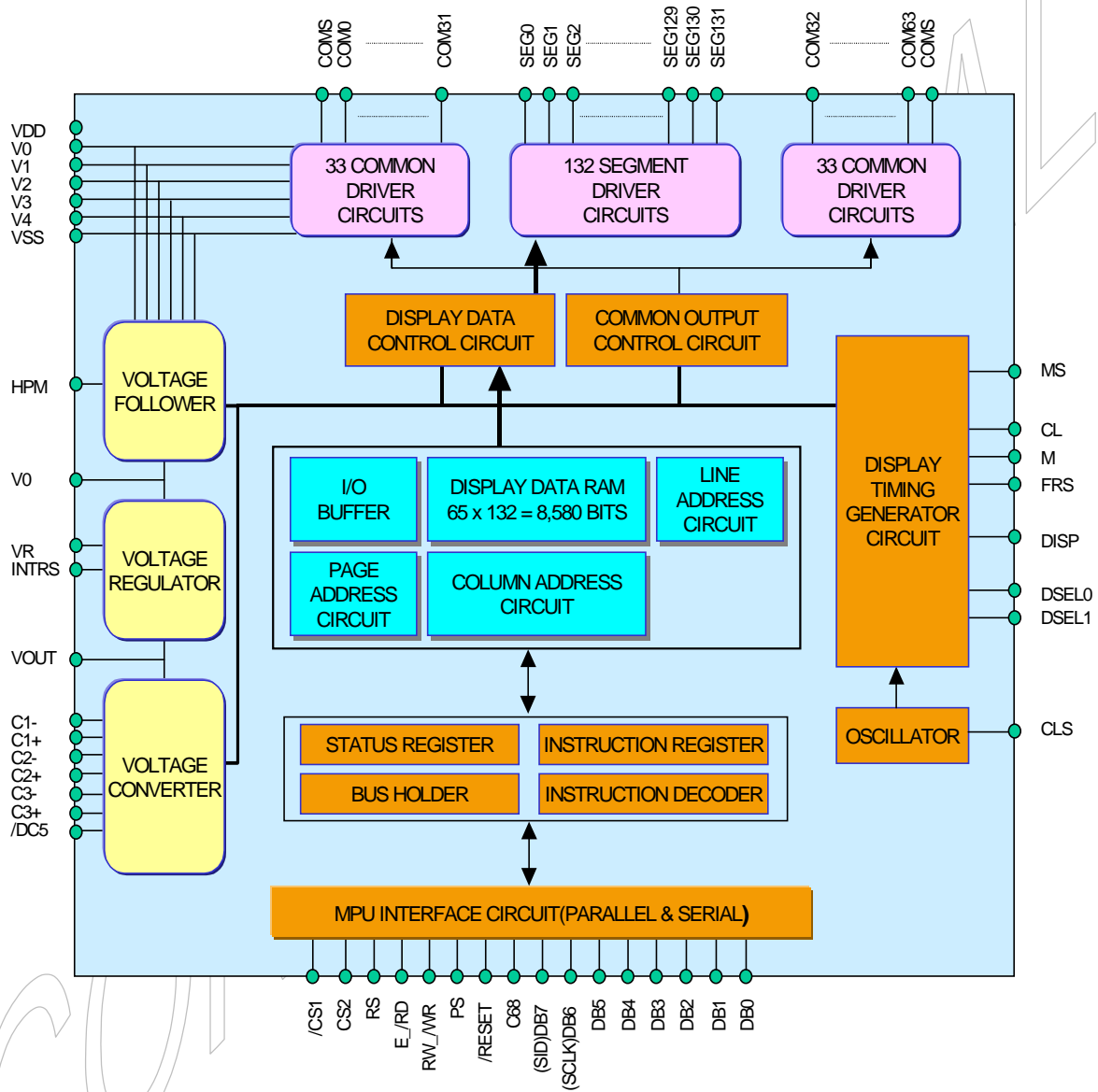


Figure 3-1. block diagram

4. PAD CONFIGURATION

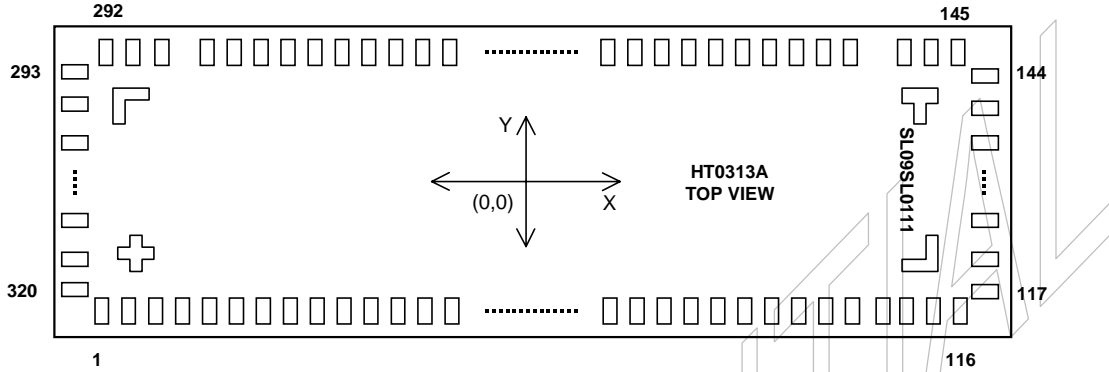


Figure 4-1. Chip configuration

Table 4-1. Pad dimensions

ITEM	Pad No.	Size		Unit
		X	Y	
Chip size	-	9540	2310	μm
Pad pitch	2~93, 95~115	70		
	118~143, 146~291, 294~319	60		
	1~2, 93~95, 115~116, 117~118, 143~144, 145~146, 291~292, 293~294, 319~320	80		
Bumped pad size (Bottom)	2~93, 95~115	50	102	
	118~143, 294~319	102	40	
	146~291	40	102	
	1, 94, 116, 145, 292	55	102	
	117, 144, 293, 320	102	55	
Bumped pad height	All pad	18 ±3 (Typ.)		

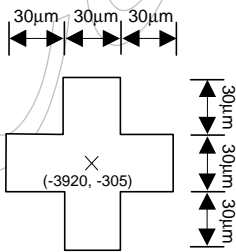


Figure 4-2. COG align key

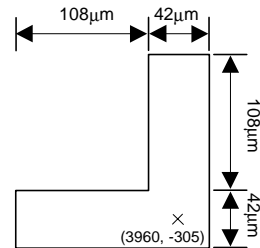
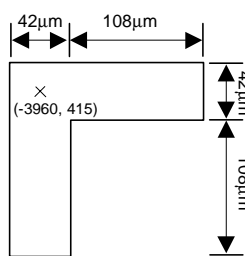
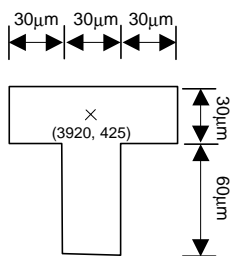


Figure 4-3. ILB align key

4-1. PAD CENTER COORDINATES

Table 4-2. Pad center coordinates

[Unit: um]

PAD No.	PAD name	X	Y	PAD No.	PAD name	X	Y	PAD No.	PAD name	X	Y
1	DUMMY	-4045	-991	51	VOUT	-535	-991	101	TEST6	2985	-991
2	FRS	-3965	-991	52	VOUT	-465	-991	102	TEST7	3055	-991
3	M	-3895	-991	53	VOUT	-395	-991	103	TEST8	3125	-991
4	CL	-3825	-991	54	C3+	-325	-991	104	TEST9	3195	-991
5	DISP	-3755	-991	55	C3+	-255	-991	105	TEST10	3265	-991
6	VSS	-3685	-991	56	C3+	-185	-991	106	TEST11	3335	-991
7	/CS1	-3615	-991	57	C3-	-115	-991	107	TEST12	3405	-991
8	CS2	-3545	-991	58	C3-	-45	-991	108	TEST13	3475	-991
9	VDD	-3475	-991	59	C3-	25	-991	109	TEST14	3545	-991
10	/RESET	-3405	-991	60	C1+	95	-991	110	TEST15	3615	-991
11	RS	-3335	-991	61	C1+	165	-991	111	TEST16	3685	-991
12	VSS	-3265	-991	62	C1+	235	-991	112	TEST17	3755	-991
13	RW_W/R	-3195	-991	63	C1-	305	-991	113	TEST18	3825	-991
14	E_/RD	-3125	-991	64	C1-	375	-991	114	TEST19	3895	-991
15	VDD	-3055	-991	65	C1-	445	-991	115	TEST20	3965	-991
16	DB0	-2985	-991	66	C2+	515	-991	116	DUMMY	4045	-991
17	DB1	-2915	-991	67	C2+	585	-991	117	DUMMY	4606	-860
18	DB2	-2845	-991	68	C2+	655	-991	118	COM5	4606	-780
19	DB3	-2775	-991	69	C2-	725	-991	119	COM0	4606	-720
20	DB4	-2705	-991	70	C2-	795	-991	120	COM1	4606	-660
21	DB5	-2635	-991	71	C2-	865	-991	121	COM2	4606	-600
22	DB6	-2565	-991	72	VSS	935	-991	122	COM3	4606	-540
23	DB7	-2495	-991	73	VSS	1005	-991	123	COM4	4606	-480
24	VSS	-2425	-991	74	VR	1075	-991	124	COM5	4606	-420
25	NC0	-2355	-991	75	VR	1145	-991	125	COM6	4606	-360
26	NC1	-2285	-991	76	V0	1215	-991	126	COM7	4606	-300
27	VDD	-2215	-991	77	V0	1285	-991	127	COM8	4606	-240
28	DSEL0	-2145	-991	78	V1	1355	-991	128	COM9	4606	-180
29	DSEL1	-2075	-991	79	V1	1425	-991	129	COM10	4606	-120
30	VSS	-2005	-991	80	V2	1495	-991	130	COM11	4606	-60
31	VDD	-1935	-991	81	V2	1565	-991	131	COM12	4606	0
32	MS	-1865	-991	82	V3	1635	-991	132	COM13	4606	60
33	CLS	-1795	-991	83	V3	1705	-991	133	COM14	4606	120
34	VSS	-1725	-991	84	V4	1775	-991	134	COM15	4606	180
35	C68	-1655	-991	85	V4	1845	-991	135	COM16	4606	240
36	VDD	-1585	-991	86	VSS	1915	-991	136	COM17	4606	300
37	PS	-1515	-991	87	VSS	1985	-991	137	COM18	4606	360
38	VSS	-1445	-991	88	/DC5	2055	-991	138	COM19	4606	420
39	VSS	-1375	-991	89	VDD	2125	-991	139	COM20	4606	480
40	VSS	-1305	-991	90	HPM	2195	-991	140	COM21	4606	540
41	VSS	-1235	-991	91	VSS	2265	-991	141	COM22	4606	600
42	VSS	-1165	-991	92	INTRS	2335	-991	142	COM23	4606	660
43	VSS	-1095	-991	93	VDD	2405	-991	143	COM24	4606	720
44	VDD	-1025	-991	94	DUMMY	2485	-991	144	DUMMY	4606	800
45	VDD	-955	-991	95	TEST0	2565	-991	145	DUMMY	4430	991
46	VDD	-885	-991	96	TEST1	2635	-991	146	COM25	4350	991
47	VDD	-815	-991	97	TEST2	2705	-991	147	COM26	4290	991
48	VDD	-745	-991	98	TEST3	2775	-991	148	COM27	4230	991
49	VDD	-675	-991	99	TEST4	2845	-991	149	COM28	4170	991
50	VOUT	-605	-991	100	TEST5	2915	-991	150	COM29	4110	991

* 1. NC0, NC1: No Connection

2. Main VSS pad (PAD No. 38,39,40,41,42 and 43) have to be connected

Table 4-2. Pad center coordinates (continued)

[Unit: um]

PAD No.	Pad name	X	Y	PAD No.	Pad name	X	Y	PAD No.	PAD name	X	Y
151	COM30	4050	991	201	SEG48	1050	991	251	SEG98	-1950	991
152	COM31	3990	991	202	SEG49	990	991	252	SEG99	-2010	991
153	SEG0	3930	991	203	SEG50	930	991	253	SEG100	-2070	991
154	SEG1	3870	991	204	SEG51	870	991	254	SEG101	-2130	991
155	SEG2	3810	991	205	SEG52	810	991	255	SEG102	-2190	991
156	SEG3	3750	991	206	SEG53	750	991	256	SEG103	-2250	991
157	SEG4	3690	991	207	SEG54	690	991	257	SEG104	-2310	991
158	SEG5	3630	991	208	SEG55	630	991	258	SEG105	-2370	991
159	SEG6	3570	991	209	SEG56	570	991	259	SEG106	-2430	991
160	SEG7	3510	991	210	SEG57	510	991	260	SEG107	-2490	991
161	SEG8	3450	991	211	SEG58	450	991	261	SEG108	-2550	991
162	SEG9	3390	991	212	SEG59	390	991	262	SEG109	-2610	991
163	SEG10	3330	991	213	SEG60	330	991	263	SEG110	-2670	991
164	SEG11	3270	991	214	SEG61	270	991	264	SEG111	-2730	991
165	SEG12	3210	991	215	SEG62	210	991	265	SEG112	-2790	991
166	SEG13	3150	991	216	SEG63	150	991	266	SEG113	-2850	991
167	SEG14	3090	991	217	SEG64	90	991	267	SEG114	-2910	991
168	SEG15	3030	991	218	SEG65	30	991	268	SEG115	-2970	991
169	SEG16	2970	991	219	SEG66	-30	991	269	SEG116	-3030	991
170	SEG17	2910	991	220	SEG67	-90	991	270	SEG117	-3090	991
171	SEG18	2850	991	221	SEG68	-150	991	271	SEG118	-3150	991
172	SEG19	2790	991	222	SEG69	-210	991	272	SEG119	-3210	991
173	SEG20	2730	991	223	SEG70	-270	991	273	SEG120	-3270	991
174	SEG21	2670	991	224	SEG71	-330	991	274	SEG121	-3330	991
175	SEG22	2610	991	225	SEG72	-390	991	275	SEG122	-3390	991
176	SEG23	2550	991	226	SEG73	-450	991	276	SEG123	-3450	991
177	SEG24	2490	991	227	SEG74	-510	991	277	SEG124	-3510	991
178	SEG25	2430	991	228	SEG75	-570	991	278	SEG125	-3570	991
179	SEG26	2370	991	229	SEG76	-630	991	279	SEG126	-3630	991
180	SEG27	2310	991	230	SEG77	-690	991	280	SEG127	-3690	991
181	SEG28	2250	991	231	SEG78	-750	991	281	SEG128	-3750	991
182	SEG29	2190	991	232	SEG79	-810	991	282	SEG129	-3810	991
183	SEG30	2130	991	233	SEG80	-870	991	283	SEG130	-3870	991
184	SEG31	2070	991	234	SEG81	-930	991	284	SEG131	-3930	991
185	SEG32	2010	991	235	SEG82	-990	991	285	COMS	-3990	991
186	SEG33	1950	991	236	SEG83	-1050	991	286	COM63	-4050	991
187	SEG34	1890	991	237	SEG84	-1110	991	287	COM62	-4110	991
188	SEG35	1830	991	238	SEG85	-1170	991	288	COM61	-4170	991
189	SEG36	1770	991	239	SEG86	-1230	991	289	COM60	-4230	991
190	SEG37	1710	991	240	SEG87	-1290	991	290	COM59	-4290	991
191	SEG38	1650	991	241	SEG88	-1350	991	291	COM58	-4350	991
192	SEG39	1590	991	242	SEG89	-1410	991	292	DUMMY	-4430	991
193	SEG40	1530	991	243	SEG90	-1470	991	293	DUMMY	-4606	800
194	SEG41	1470	991	244	SEG91	-1530	991	294	COM57	-4606	720
195	SEG42	1410	991	245	SEG92	-1590	991	295	COM56	-4606	660
196	SEG43	1350	991	246	SEG93	-1650	991	296	COM55	-4606	600
197	SEG44	1290	991	247	SEG94	-1710	991	297	COM54	-4606	540
198	SEG45	1230	991	248	SEG95	-1770	991	298	COM53	-4606	480
199	SEG46	1170	991	249	SEG96	-1830	991	299	COM52	-4606	420
200	SEG47	1110	991	250	SEG97	-1890	991	300	COM51	-4606	360

Table 4-2. Pad center coordinates (continued)

[Unit: um]

PAD No.	Pad name	X	Y	PAD No.	Pad name	X	Y	PAD No.	PAD name	X	Y
301	COM50	-4606	300								
302	COM49	-4606	240								
303	COM48	-4606	180								
304	COM47	-4606	120								
305	COM46	-4606	60								
306	COM45	-4606	0								
307	COM44	-4606	-60								
308	COM43	-4606	-120								
309	COM42	-4606	-180								
310	COM41	-4606	-240								
311	COM40	-4606	-300								
312	COM39	-4606	-360								
313	COM38	-4606	-420								
314	COM37	-4606	-480								
315	COM36	-4606	-540								
316	COM35	-4606	-600								
317	COM34	-4606	-660								
318	COM33	-4606	-720								
319	COM32	-4606	-780								
320	DUMMY	-4606	-860								

5. PIN DESCRIPTION

Table 5-1. Pin description

Power supply																																
Name	I/O	Description																														
VDD	Power supply	Shared with the MPU power supply terminal VCC.																														
VSS		This is a 0V terminal connected to the system GND. Main VSS pad (PAD No. 38,39,40,41,42 and 43) have to be connected																														
V0 V1 V2 V3 V4	I/O	<p>The voltage is determined by the LCD pixel impedance-converted for application by an operational amplifier. Voltage have the following relationship: $V0 \geq V1 \geq V2 \geq V3 \geq V4 \geq VSS(\text{GND})$ When the on-chip power circuit is active, these voltages are generated according to the state of LCD bias, as shown in the table below.</p> <table border="1"> <thead> <tr> <th>LCD Bias</th> <th>V1</th> <th>V2</th> <th>V3</th> <th>V4</th> </tr> </thead> <tbody> <tr> <td>1/9 bias</td> <td>$(8/9) \times V0$</td> <td>$(7/9) \times V0$</td> <td>$(2/9) \times V0$</td> <td>$(1/9) \times V0$</td> </tr> <tr> <td>1/8 bias</td> <td>$(7/8) \times V0$</td> <td>$(6/8) \times V0$</td> <td>$(2/8) \times V0$</td> <td>$(1/8) \times V0$</td> </tr> <tr> <td>1/7 bias</td> <td>$(6/7) \times V0$</td> <td>$(5/7) \times V0$</td> <td>$(2/7) \times V0$</td> <td>$(1/7) \times V0$</td> </tr> <tr> <td>1/6 bias</td> <td>$(5/6) \times V0$</td> <td>$(4/6) \times V0$</td> <td>$(2/6) \times V0$</td> <td>$(1/6) \times V0$</td> </tr> <tr> <td>1/5 bias</td> <td>$(4/5) \times V0$</td> <td>$(3/5) \times V0$</td> <td>$(2/5) \times V0$</td> <td>$(1/5) \times V0$</td> </tr> </tbody> </table>	LCD Bias	V1	V2	V3	V4	1/9 bias	$(8/9) \times V0$	$(7/9) \times V0$	$(2/9) \times V0$	$(1/9) \times V0$	1/8 bias	$(7/8) \times V0$	$(6/8) \times V0$	$(2/8) \times V0$	$(1/8) \times V0$	1/7 bias	$(6/7) \times V0$	$(5/7) \times V0$	$(2/7) \times V0$	$(1/7) \times V0$	1/6 bias	$(5/6) \times V0$	$(4/6) \times V0$	$(2/6) \times V0$	$(1/6) \times V0$	1/5 bias	$(4/5) \times V0$	$(3/5) \times V0$	$(2/5) \times V0$	$(1/5) \times V0$
LCD Bias	V1	V2	V3	V4																												
1/9 bias	$(8/9) \times V0$	$(7/9) \times V0$	$(2/9) \times V0$	$(1/9) \times V0$																												
1/8 bias	$(7/8) \times V0$	$(6/8) \times V0$	$(2/8) \times V0$	$(1/8) \times V0$																												
1/7 bias	$(6/7) \times V0$	$(5/7) \times V0$	$(2/7) \times V0$	$(1/7) \times V0$																												
1/6 bias	$(5/6) \times V0$	$(4/6) \times V0$	$(2/6) \times V0$	$(1/6) \times V0$																												
1/5 bias	$(4/5) \times V0$	$(3/5) \times V0$	$(2/5) \times V0$	$(1/5) \times V0$																												
LCD driver power supply																																
Name	I/O	Description																														
C1+	O	Capacitor1+ connect for the internal voltage converter																														
C1-		Capacitor1- connect for the internal voltage converter																														
C2+		Capacitor2+ connect for the internal voltage converter																														
C2-		Capacitor2- connect for the internal voltage converter																														
C3+		Capacitor3+ connect for the internal voltage converter																														
C3-		Capacitor3- connect for the internal voltage converter																														
VOOUT	I/O	Voltage converter input / output pin																														
/DC5	I	5 times boosting circuit enable input pin. When this pin is low in 4 times boosting circuit the 5 times boosted voltage appears at VOOUT.																														
VR	I	V0 voltage adjustment pin. It is valid only when using external resistors.(INTRS="L")																														

Table 5-1. Pin description (continued)

System control																																	
Name	I/O	Description																															
MS	I	Master/slave mode select input. Master makes some signals for display, and slave receives them. This for display synchronization. MS = "H": Master mode MS = "L": Slave mode																															
		<table border="1"> <thead> <tr> <th>MS</th> <th>CLS</th> <th>OSC Circuit</th> <th>Power Supply</th> <th>CL</th> <th>M</th> <th>FRS</th> <th>DISP</th> </tr> </thead> <tbody> <tr> <td rowspan="2">H</td> <td>H</td> <td>Enable</td> <td>Enable</td> <td>Output</td> <td>Output</td> <td>Output</td> <td>Output</td> </tr> <tr> <td>L</td> <td>Disable</td> <td>Enable</td> <td>Input</td> <td>Output</td> <td>Output</td> <td>Output</td> </tr> <tr> <td>L</td> <td>-</td> <td>Disable</td> <td>Disable</td> <td>Input</td> <td>Input</td> <td>Output</td> <td>Input</td> </tr> </tbody> </table>	MS	CLS	OSC Circuit	Power Supply	CL	M	FRS	DISP	H	H	Enable	Enable	Output	Output	Output	Output	L	Disable	Enable	Input	Output	Output	Output	L	-	Disable	Disable	Input	Input	Output	Input
		MS	CLS	OSC Circuit	Power Supply	CL	M	FRS	DISP																								
		H	H	Enable	Enable	Output	Output	Output	Output																								
L	Disable		Enable	Input	Output	Output	Output																										
L	-	Disable	Disable	Input	Input	Output	Input																										
CLS	I	Built-in oscillator circuit enables / disable select pin. CLS = "H": Enable CLS = "L": Disable (external display clock input to CL pin)																															
CL	I/O	Display clock input / output pin. When HT0313A is used in master/slave mode(multi-chip), the CL pin must be connected to each other.																															
M	I/O	LCD AC signal input / output pin. When HT0313A is used in master/slave mode(multi-chip), the M pin must be connected to each other. MS = "H": Output MS = "L": Input																															
FRS	O	Static driver segment output. This pin is used together with the M pin.																															
DISP	I/O	LCD display blanking control input/output. When HT0313A is used in master/slave mode (multi-chip), the DISP pin must be connected to each other. MS = "H": Output MS = "L": Input																															
INTRS	I	Internal resistor selects pin. This pin selects the resistor for adjusting V0 voltage level and is available only in master mode. INTRS = "H": using built-in resistors. INTRS = "L": not using built-in resistors. V0 voltage is controlled by VR pin with external resistive divider.																															
HPM	I	Power control pins of the power supply circuit for the LCD driver. HPM = "H": High power mode. HPM = "L": Normal mode This pin is available only in the master mode.																															
DSEL1 DSEL0	I	The LCD driver duty ratio depends on the following table. <table border="1"> <thead> <tr> <th>DSEL1</th> <th>DSEL0</th> <th>Duty ratio</th> </tr> </thead> <tbody> <tr> <td>L</td> <td>L</td> <td>1/33</td> </tr> <tr> <td>L</td> <td>H</td> <td>1/49</td> </tr> <tr> <td>H</td> <td>H/L</td> <td>1/65</td> </tr> </tbody> </table>	DSEL1	DSEL0	Duty ratio	L	L	1/33	L	H	1/49	H	H/L	1/65																			
DSEL1	DSEL0	Duty ratio																															
L	L	1/33																															
L	H	1/49																															
H	H/L	1/65																															

Table 5-1. Pin description (continued)

MPU interface								
Name	I/O	Description						
/RESET	I	Hardware reset input pin. When /RESET is "L", initialization is executed.						
PS	I	Parallel/Serial select input pin.						
		PS	Operating mode	Chip select	Data/Instruction	Data I/O	Read/Write	Serial
		H	Parallel	/CS1, CS2	RS	DB7 to DB0	E_/RD, RW_/WR	-
L	Serial	/CS1, CS2	RS	DB7 (SID)	Write only	DB6 (SCLK)		
When PS="L", DB5 to DB0 are high impedance. E_/RD and RW_/WR are fixed to either "H" or "L". With serial data input, RAM display data reading is not supported.								
C68	I	This pin is the MPU interface switch terminal. C68 = "H": 6800 series MPU interface C68 = "L": 8080 series MPU interface						
/CS1 CS2	I	Chip select input pin. Data input/output is enables only when /CS1 is low and CS2 is high. When chip select is non-active, DB7 to DB0 will be high impedance.						
RS	I	Register select input pin. RS = "H": The data on DB7 to DB0 is used the display data. RS = "L": The data on DB7 to DB0 is used the control data.						
RW_/WR	I	When interfacing to a 6800-series MPU, read/write is enabled at; RW_/WR = "H": read RW_/WR = "L": write When interfacing to an 8080-series MPU, RW_/WR is enabled at low. The signals on the data bus are latched at the rising edge of the RW_/WR signal.						
E_/RD	I	When interfacing to a 6800-series MPU: Active High. This pin is used as an enable clock input pin of the 6800-series MPU. When interfacing to a 8080-series MPU: Active Low. This pin is connected to the RD signal of the 8080-series MPU. While this signal is Low, HT0313A data bus output is enabled.						
DB7 to DB0	I/O	8-bit bi-directional data bus. It is connected to the standard 8-bit microprocessor data bus. In case of serial interface,(PS = "L") DB7: Serial input data(SID) DB6: Serial input clock(SCLK) DB5 to DB0 : High impedance When chip select is not active, DB7 to DB0 will be high impedance.						
NC1 NC0	I/O	These are set to Open.						
TEST20 to TEST0	I/O	These are pins for IC chip testing. These are set to Open.						

Table 5-1. Pin description (continued)

LCD driver output					
Name	I/O	Description			
SEG0 to SEG131	O	LCD driver output for segment. The display data and the M signal control the output voltage of segment driver.			
		Display data	M	Segment output voltage	
				Normal Display	Reverse Display
		H	H	V0	V2
		H	L	VSS	V3
		L	H	V2	V0
		L	L	V3	VSS
Power save mode		VSS			
COM0 to COM63	O	LCD driver output for common. The internal scanning data and M signal control the output voltage of common driver.			
		Scan data	M	Common output voltage	
		H	H	VSS	
		H	L	V0	
		L	H	V1	
		L	L	V4	
Power save mode		VSS			
COMS	O	Common signal output for the icons. The output signals of two pins are the same. When this signal is not used, should be left open. In multi-chip(master/slave) mode, all COMS pin on both master and slave units are the same signal.			

Note:

-. DUMMY, TEST0 ~ TEST20, NC0, NC1: The pins should be opened(floated).

6. FUNCTIONAL DESCRIPTION

6-1. MICROPROCESSOR INTERFACE

a. Chip select input

There are /CS1 and CS2 pins for chip selection. The HT0313A can interface with an MPU only when /CS1 is "L" and CS2 is "H". When these pins are set to any other combination, RS, E_/RD, and RW_/WR inputs are disabled and DB7 to DB0 are to be high impedance. And, in case of serial interface, the internal shift register and the counter are reset.

b. Interface

HT0313A has three types of interface with an MPU, which are one serial and two parallel interfaces. This parallel or serial interface is determined by PS pin as shown in table 6-1.

Table 6-1. Parallel / Serial interface mode

PS	Type	/CS1	CS2	C68	Interface mode
H	Parallel	/CS1	CS2	H	6800-series MPU mode
				L	8080-series MPU mode
L	Serial	/CS1	CS2	X*	Serial MPU mode

* X : Don't care

c. Parallel interface (PS = "H")

The 8-bit bi-directional data bus is used in parallel interface and the type of MPU is selected by C68 as shown in table 6-2. The type of data transfer is determined by signals at RS, E_/RD, and RW_/WR as shown in table 6-3.

Table 6-2. Microprocessor selection for parallel interface

C68	/CS1	CS2	RS	E_/RD	RW_/WR	DB7 to DB0	MPU
H	/CS1	CS2	RS	E	RW	DB7 to DB0	6800-series
L	/CS1	CS2	RS	/RD	/WR	DB7 to DB0	8080-series

Table 6-3. Parallel data transfer

Common	6800-series		8080-series		Description
	E_/RD (E)	RW_/WR (RW)	E_/RD (/RD)	RW_/WR (/WR)	
RS					
H	H	H	L	H	Display data read out
H	H	L	H	L	Display data write
L	H	H	L	H	Register status read
L	H	L	H	L	Writes to internal register(instruction)

d. Serial interface (PS = "L")

When the HT0313A is active and serial interface has been selected, the serial data (DB7) and the serial clock (DB6) inputs are enabled. And HT0313A is not active, the internal 8-bit shift register and the 3-bit counter are reset. The serial data can be read on the rising edge of the serial clock going into DB6 and processed as 8-bit parallel data on the eighth serial clock. The serial data input is display data when RS is high and control data when RS is low. Reading is not possible while serial interface mode is activated.

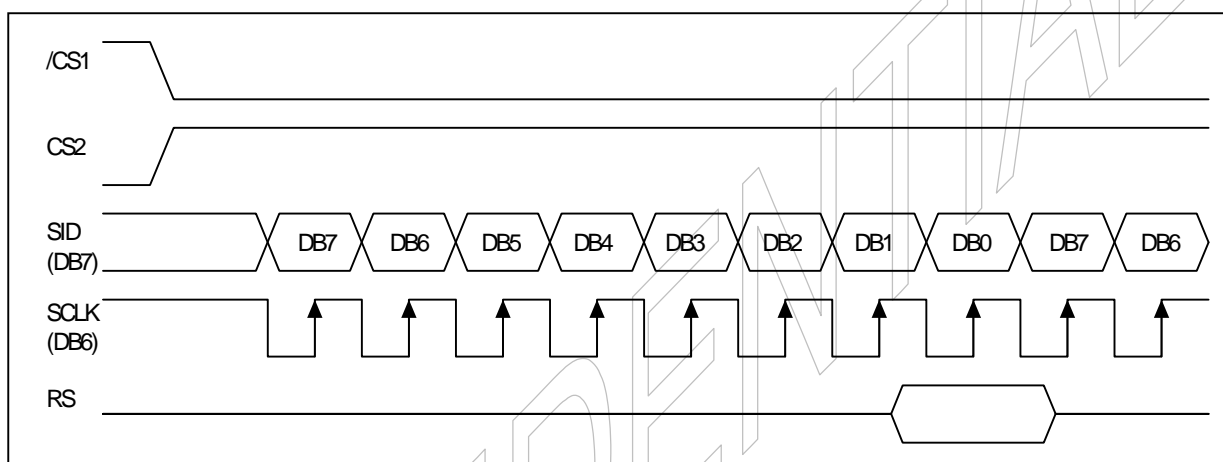


Figure 6-1. Serial interface timing

e. Busy flag

The busy flag indicates whether the HT0313A is operating or not. When DB7 is "H" in read status operation, this device is in busy status and will accept only read status instruction. If the cycle time is correct, the MPU needs not to check this flag before each instruction, which improves the MPU performance.

f. Data accessing

The HT0313A uses bus holder and internal data bus for data read and data write with the MPU. When writing data from the MPU to on-chip RAM, the data is automatically transferred from the bus holder to the on-chip RAM as shown in figure 6-2. When the MPU reads data from on-chip RAM, the first data read cycle stores the data in the bus holder (dummy read) and the MPU reads this stored data from bus holder for the next data read cycle as shown in figure 6-3. This means the data of the specified address cannot be output with the read display data instruction right after the address sets, but can be output at the second read of data. Therefore, a dummy read cycle must be inserted between each pair of address sets when a sequence of address sets is executed.

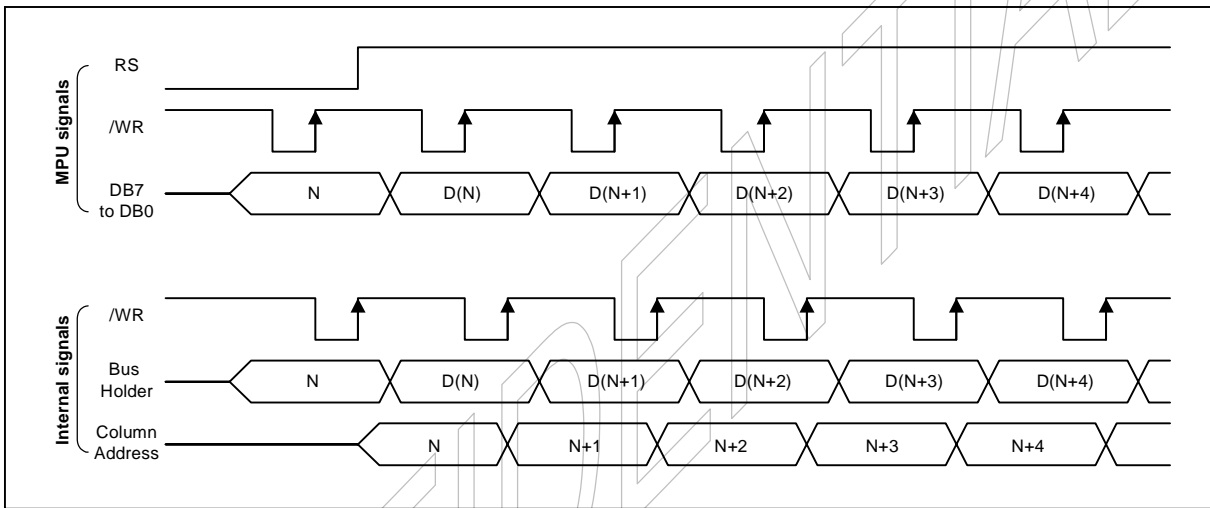


Figure 6-2. Write timing

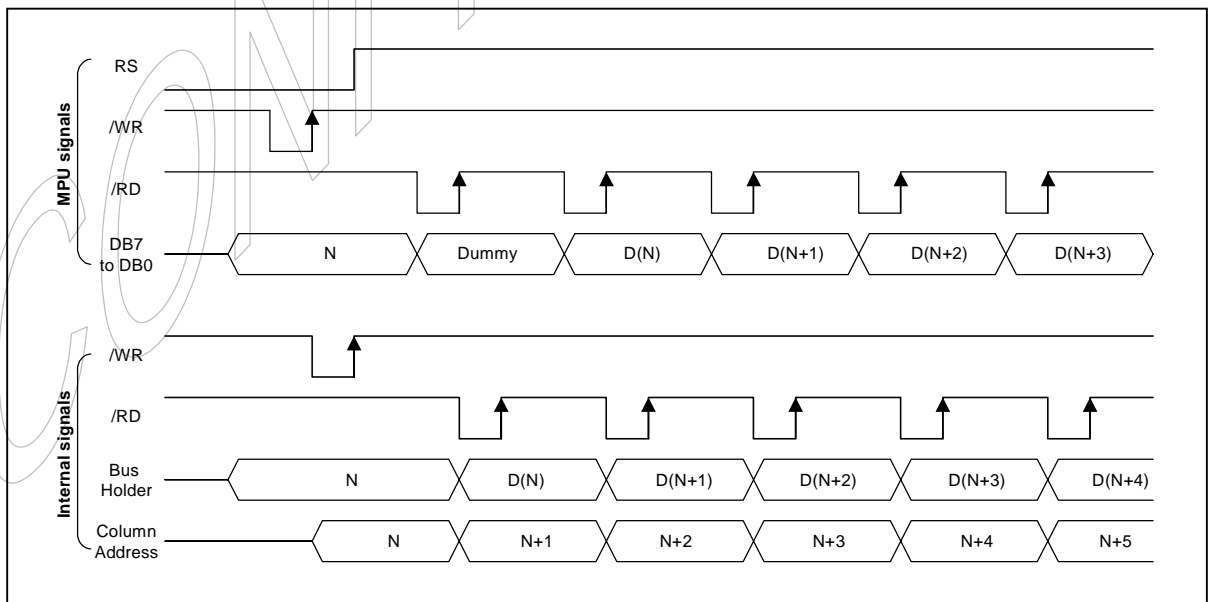


Figure 6-3. Read timing

6-2. DISPLAY DATA RAM (DDRAM)

a. DDRAM

The DDRAM stores pixel data for the LCD. It has 65-row (8 page x 8 bit + 1) by 132-column addressable array. Each pixel can be selected by specifying the page and the column address. The 65 rows are divided into 8 pages of 8 lines and the 9th page with a single line (DB0 only). Data is read from or written to the 8 lines of each page directly through DB0 to DB7. The display data of DB0 to DB7 from the MPU correspond to the LCD common direction as shown in Figure 6-4.

The MPU can read from and write to DDRAM through the I/O buffer, which is independent operation from signal reading for the LCD driver. This independent operation makes it possible that the MPU writes the data into the DDRAM at the same time as data is being displayed without causing the LCD flicker.

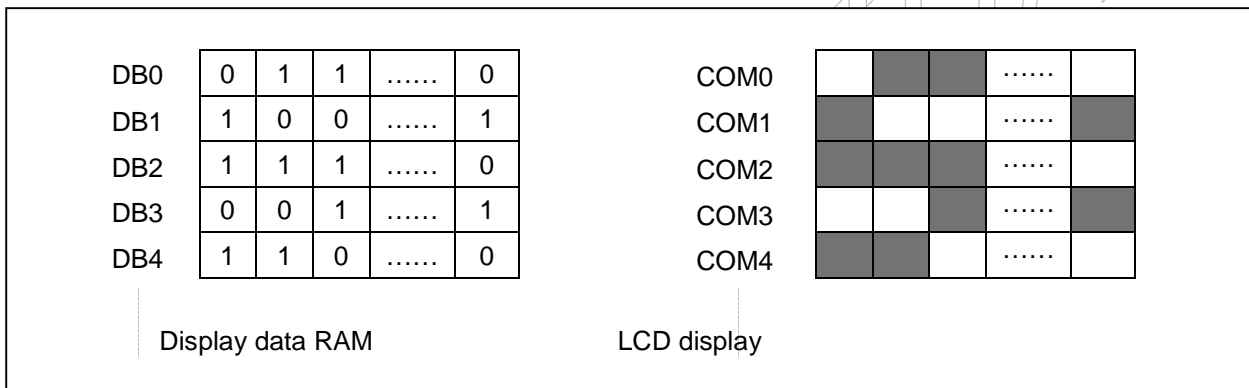


Figure 6-4. RAM-to-LCD data transfer

b. Page address circuit

This circuit is for providing a page address to DDRAM shown in figure 6-6. The 4-bit page address register changed by only the “Set page” instruction. Page address 8 (DB3, DB2, DB1, DB0 = 1, 0, 0, 0) is a special RAM area for the icons and display data DB0 is only valid.

c. Column address circuit

Column address circuit has a 8-bit preset counter that provides column address to the DDRAM as shown in figure 6-6. When the “Set column address MSB / LSB” instruction is issued, 8-bit [Y7:Y0] is updated. And this address is increased by +1 each display data Read/Write instruction. This allows that the MPU display data can be accessed continuously. The increment of the column address stops with 83H. And the counter is not increased and locked if the address is specified over 84H. It is unlocked if a column address is set again by “Set column address MSB / LSB” instruction. The column address counter is independent of the page address register.

The ADC select instruction makes it possible to convert the relationship between the column address and the segment outputs. It is necessary to rewrite the display data on built-in RAM after issuing the ADC select instruction. Refer to the figure 6-5.

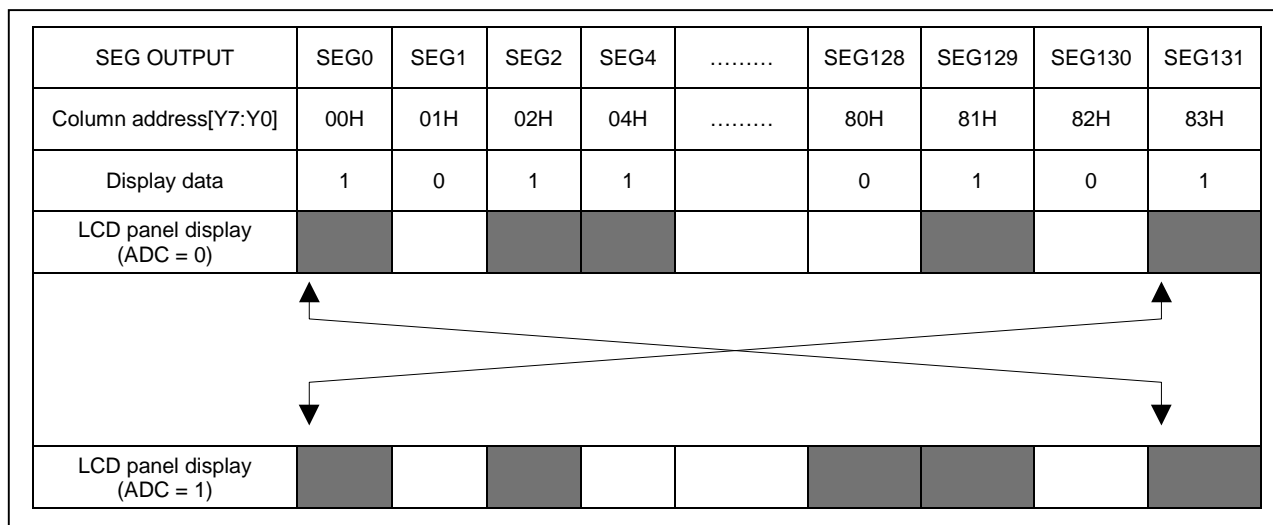


Figure 6-5. The relationship between the column address and the segment outputs

d. Line address circuit

This circuit assigns DDRAM a line address corresponding to the first line (COM0) of the display. Using the display start line address set command, what is normally the top line of the display can be specified. By setting the line address repeatedly, it is possible to realize the screen scrolling and page switching without changing the contents of DDRAM as shown in figure 6-6.

At the beginning of each LCD frame, the contents of register are copied to the line counter which is increased by +1 and the line address is generated for transferring the 132-bit RAM data to the display data latch circuit. However, the display data of icons is not scrolled because the MPU can not access the line address of icons.

e. Segment control circuit

This circuit controls the display data by the Display ON / OFF, reverse display ON / OFF and entire display ON /OFF instructions without changing the data in the DDRAM.

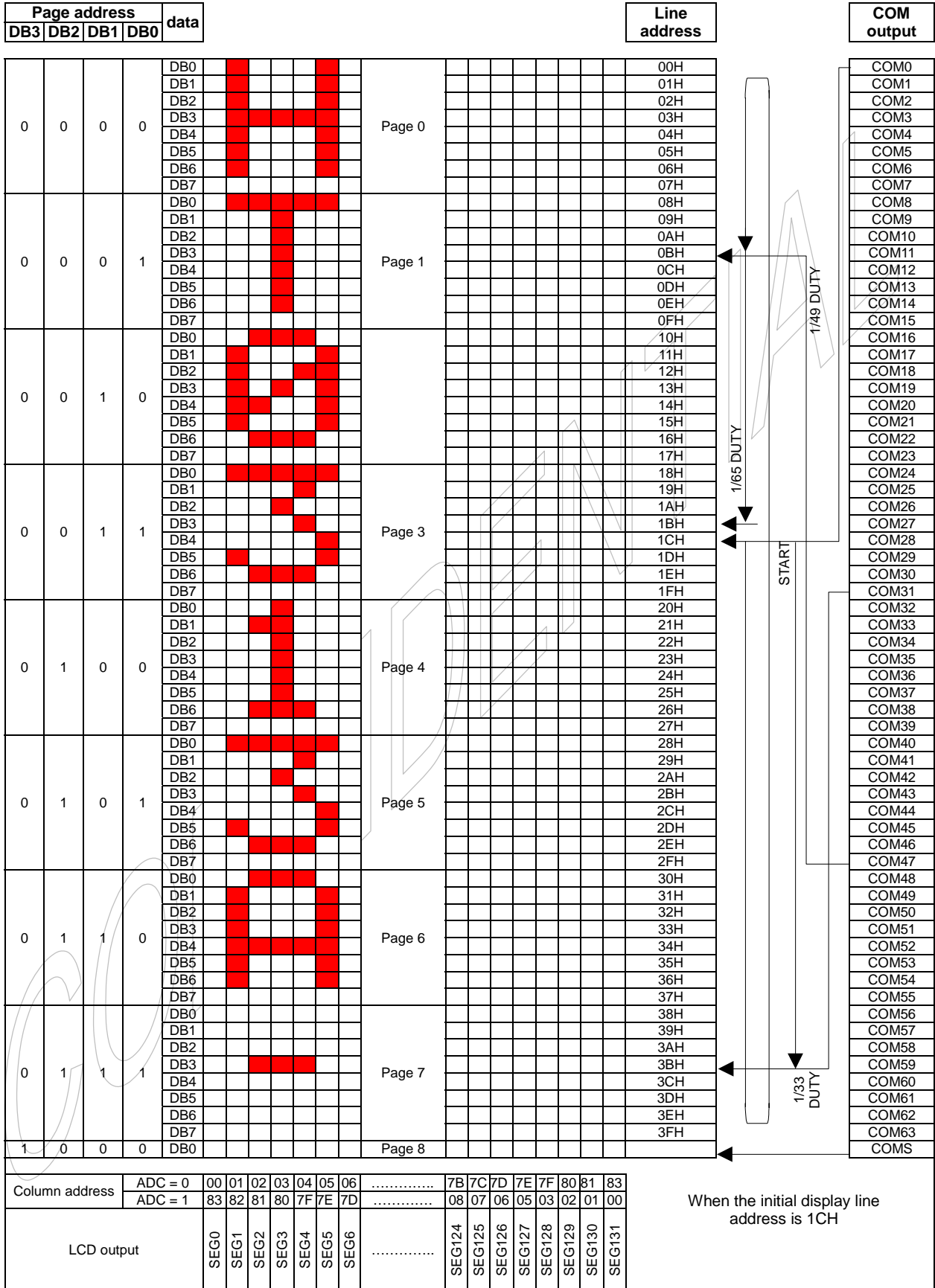


Figure 6-6. Display data RAM map

6-3. LCD DISPLAY CIRCUITS

a. Oscillator

HT0313A implement complete on-chip oscillator and its frequency is nearly independent of VDD. This oscillator signal is used in the voltage converter and display timing generation circuit. The oscillator circuit is enabled when MS="H" and CLS="H". When the external clock is used, set CLS="L" and imply clock signal to CL pin.

b. Display timing generator circuit

This circuit generates timing signals to be used for displaying LCD. The display clock (CL) is generated by oscillation clock and CL generates the clock for the line counter and the signal for the display data latch. The line address of DDRAM is generated in synchronization with CL. The 132-bit display data is latched in the display data latch circuit synchronized with CL. Reading to the display data liquid crystal driver circuit is completely independent of access to the DDRAM by the MPU. The display timing generator circuit generates an LCD AC signal (M) which enables the LCD driver to make a AC drive waveform, and also generates an internal common timing signal and start signal to the common driver. Driving 2-frame AC driver waveform and internal timing signal are shown in figure 6-7. When HT0313A is used multiple-chip configuration, the slave chip requires the M, CL and DISP signals from the master. Table 6-4 shows the M, CL, and DISP status.

Table 6-4. Master and slave timing signal status

Operation mode	Clock	MS	CLS	M	CL	DISP
Master mode	Internal	H	H	Output	Output	Output
	External	H	L	Output	Input	Output
Slave mode	Internal	L	H	Input	Input	Input
	External	L	L	Input	Input	Input

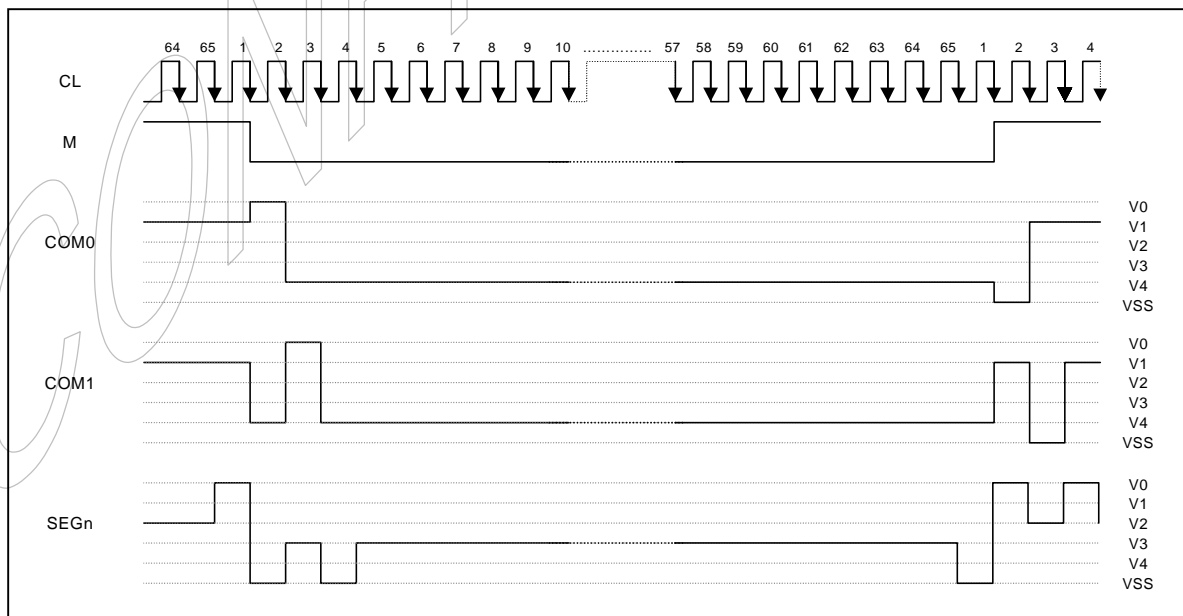


Figure 6-7. 2-frame AC driving waveform (Duty ratio = 1/65)

c. Common output control circuit

This circuit controls the relationship between the number of common output and specified duty ratio. SHL select instruction specifies the scanning direction of the common output pins.

Table 6-5. The relationship between duty ratio and common output

Duty	SHL	Common output pins					COMS
		COM[0:15]	COM[16:23]	COM[24:39]	COM[40:47]	COM[48:63]	
1/33	L	COM[0:15]	Open		COM[16:31]		COMS
	H	COM[31:16]	Open		COM[15:0]		
1/49	L	COM[0:23]		Open	COM[24:47]		COMS
	H	COM[47:24]		Open	COM[23:0]		
1/65	L	COM[0:63]					COMS
	H	COM[63:0]					

6-4. LCD DRIVER CIRCUIT

This driver circuit is configured by 66-channel common drivers (including 2 COMS channels) and 132-channel segment drivers. This LCD panel driver voltage depends on the combination of display data and M signal.

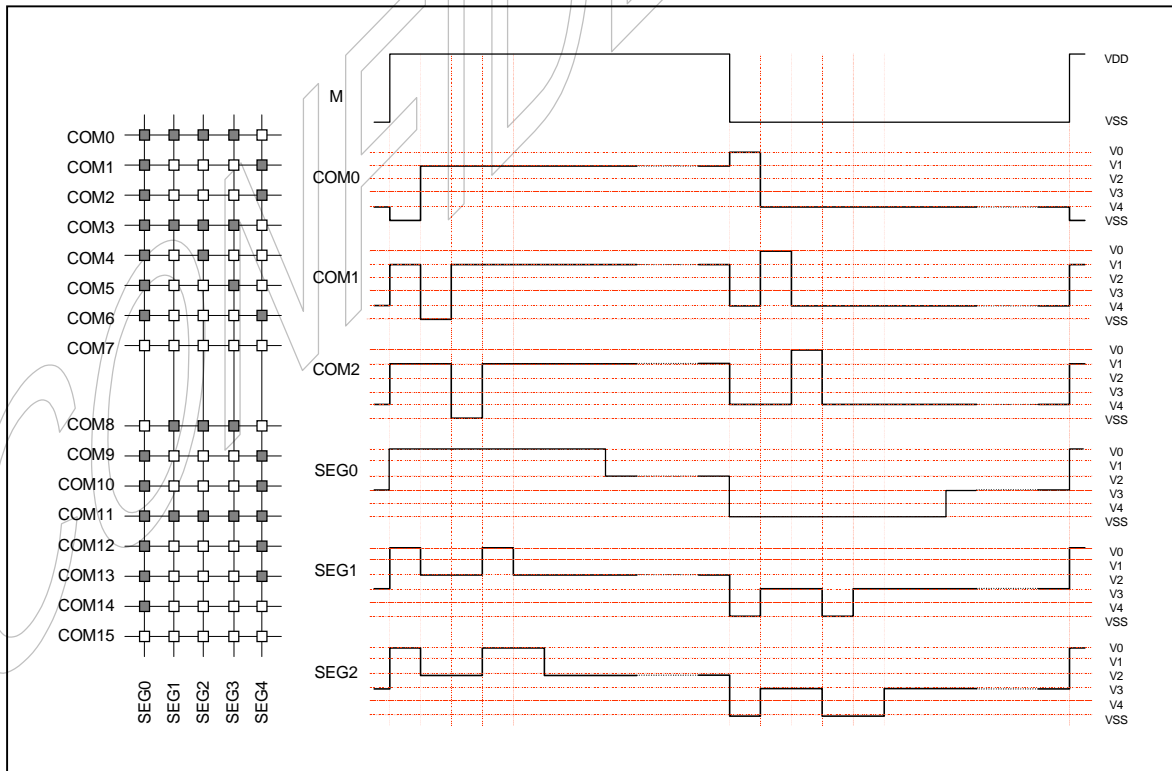


Figure 6-8. Segment and common timing

6-5. POWER SUPPLY CIRCUITS

The power supply circuits generate the voltage levels necessary to drive liquid crystal driver circuits with low power consumption and the fewest components. There are voltage converter circuits, voltage regulator circuits, and voltage follower circuits. They are valid only in master operation and controlled by power control instruction.

For details, refers to "Instruction description". Table 6-6 shows the referenced combinations in using power supply circuits.

Table 6-6. Recommended power supply combinations

Mode Settings	VC,VR,VF	Voltage converter	Voltage regulator	Voltage follower	VOUT	V0	V1 to V4
All Internal power supply	1, 1, 1	ON	ON	ON	Open	Open	Open
Voltage regulator and voltage follower	0, 1, 1	OFF	ON	ON	External input	Open	Open
Voltage follower	0, 0, 1	OFF	OFF	ON	Open	External input	Open
All external power supply	0, 0, 0	OFF	OFF	OFF	Open	External input	External input

a. Voltage converter circuits

These circuits boost up the electric potential between VDD and VSS to 2, 3, 4 or 5 times toward positive side and boosted voltage is outputted from VOUT pin.

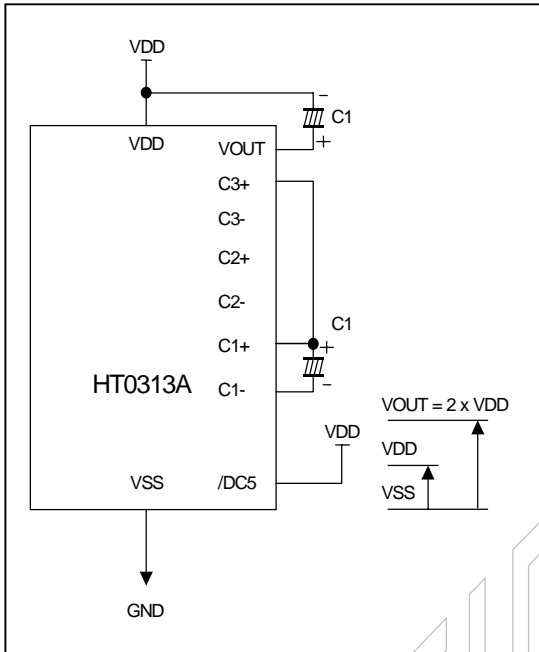


Figure 6-9. Two times boosting circuit

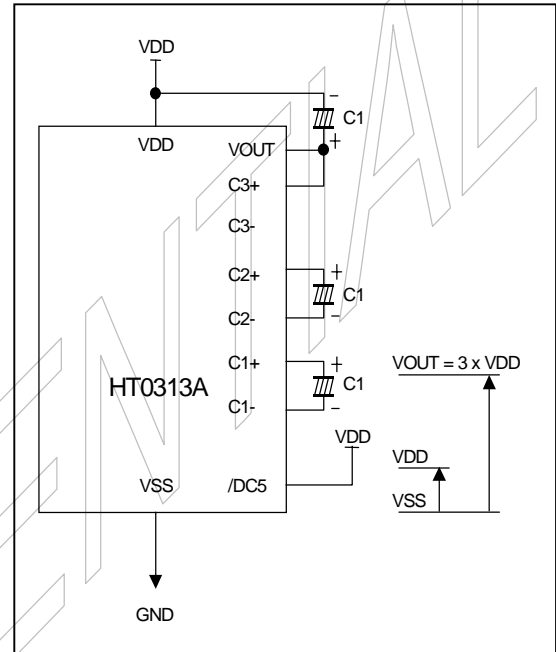


Figure 6-10. Three times boosting circuit

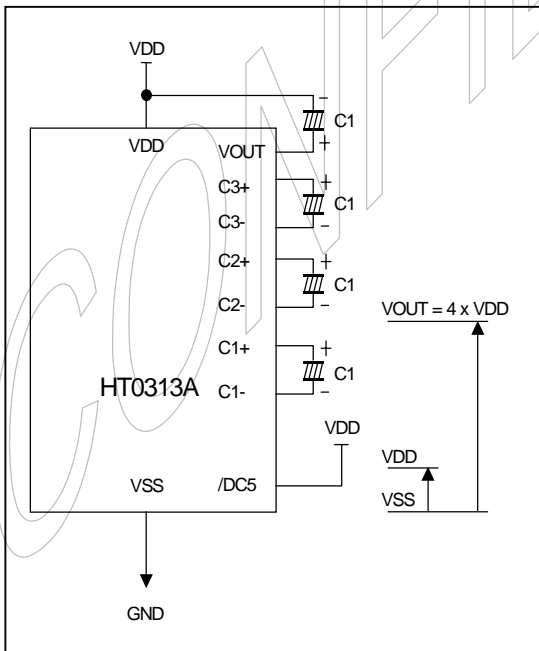


Figure 6-11. Four times boosting circuit

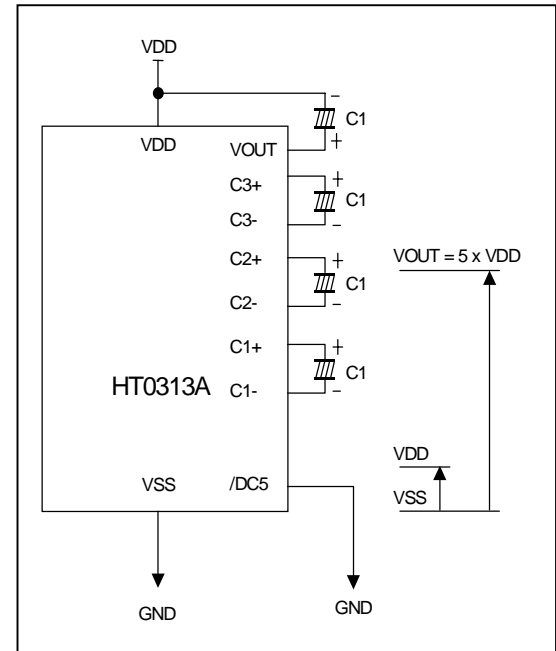


Figure 6-12. Five times boosting circuit

b. Voltage regulator circuits

The function of the internal voltage regulator circuits is to determine liquid crystal operating voltage, V0, by the adjusting resistors, Ra and Rb, within the range of |V0| < |VOUT|. Because VOUT is the operating voltage of operational-amplifier circuits as shown in figure 6-13, it is necessary to be applied internally or externally.

For the equation 1, we determine V0 with Ra, Rb and VEV. Ra and Rb are connected internally or externally via INTRS pin. The voltage of electronic volume, VEV, is determined by equation 2, where the reference voltage parameter α is the value selected by instruction, "Set reference voltage register", within the range 0 to 63. Refer to table 6-7. VREF voltage at TOPR =25°C is 2.0V ± 3%.

$$V0 = \left(\frac{Rb}{Ra} \right) \times VEV \text{ [V] ----- (Equation 1)}$$

$$VEV = \left(\frac{63-\alpha}{300} \right) \times VREF \text{ [V] ----- (Equation 2)}$$

Table 6-7. Electronic contrast control register (Reference Voltage Parameter : α, 64step)

SV5	SV4	SV3	SV2	SV1	SV0	Reference Voltage Parameter (α)	V0	Contrast
0	0	0	0	0	0	0	Minimum	Low
0	0	0	0	0	1	1	⋮	⋮
⋮	⋮	⋮	⋮	⋮	⋮	⋮	⋮	⋮
1	0	0	0	0	0	32 (default)	⋮	⋮
⋮	⋮	⋮	⋮	⋮	⋮	⋮	⋮	⋮
1	1	1	1	1	0	62	⋮	⋮
1	1	1	1	1	1	63	Maximum	High

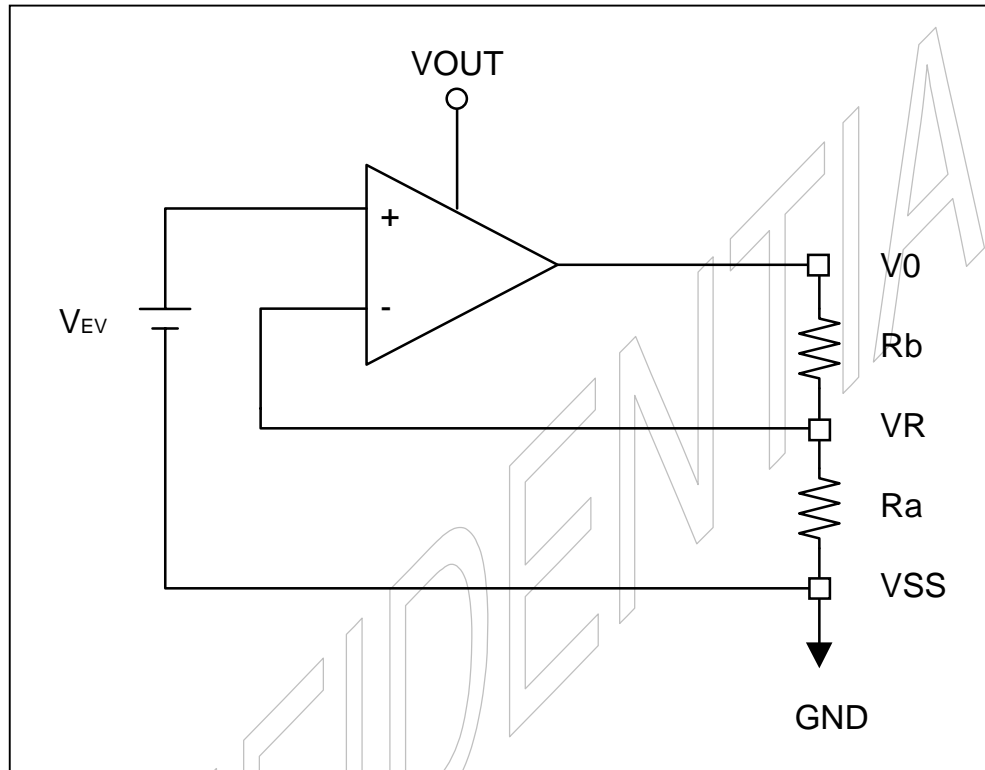


Figure 6-13. Internal voltage regulator circuit

b-1. In case of using internal resistors, Ra and Rb (INTRS = "H")

When INTRS pin is "H", resistor Ra is connected internally between VR pin and VSS, and Rb is connected between V0 and VR. We determine V0 by two instructions, "Regulator resistor select" and "Set reference voltage".

Table 6-8. Internal Rb / Ra ratio depending on 3-bit Data (R2, R1, R0)

	3-bit data settings (R2 R1 R0: gain)							
	000	001	010	011	100	101	110	111
1+(Rb/Ra)	1.90	2.19	2.55	3.02	3.61	4.35	5.29	6.48

The following figure shows V0 voltage measured by adjusting internal regulator resistor ratio (Rb / Ra) and 6-bit electronic volume registers for each temperature coefficient at Ta = 25 °C.

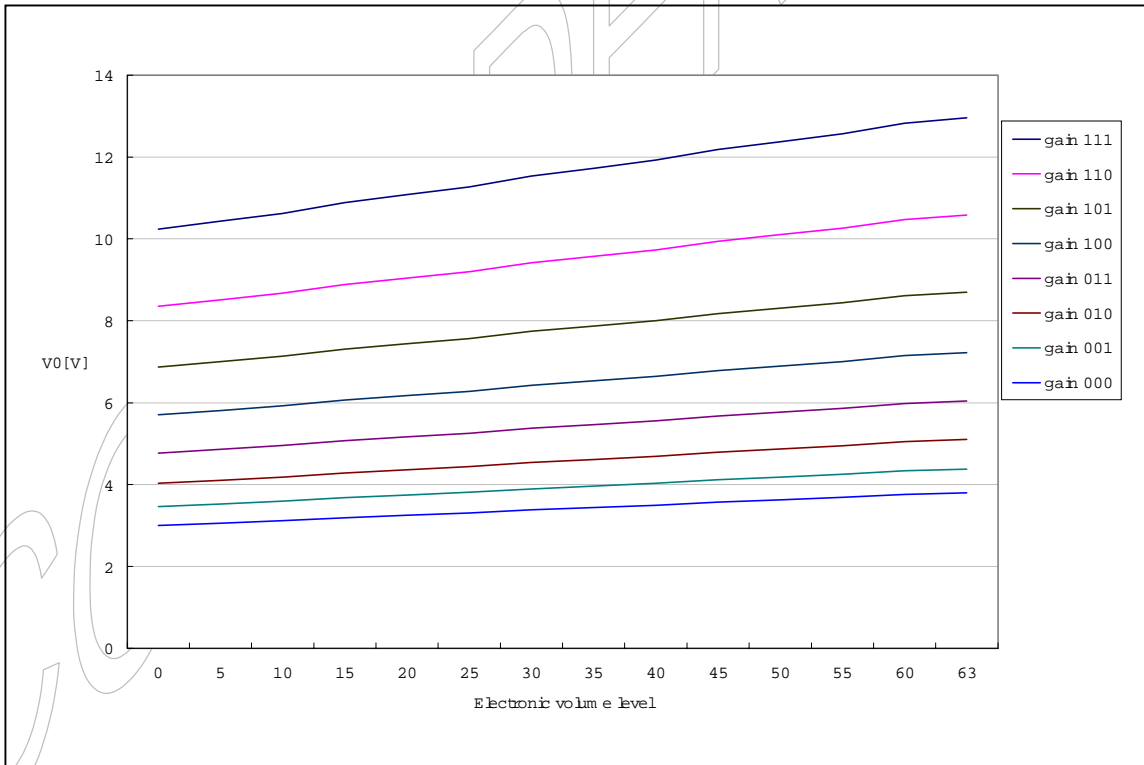


Figure 6-14. Electronic volume level

b-2. In case of using external resistors, Ra and Rb. (INTRS = "L")

When INTRS pin is "L", it is necessary to connect external regulator resistor Ra between VR and VSS, and Rb between V0 and VR.

Example: For the following requirements

1. LCD driver voltage, V0 = 10V
2. 6-bit reference voltage register = (1, 0, 0, 0, 0, 0 : α = 32)
3. Maximum current flowing Ra, Rb = 1[μA]

From equation 1

$$10 = \left(\frac{R_b}{R_a} \right) \times V_{EV} [V] \text{ ----- (Equation 3)}$$

From equation 2

$$V_{EV} = \left(1 - \frac{(63-32)}{300} \right) \times 2.0 = 1.79 [V] \text{ ----- (Equation 4)}$$

From equation 3

$$\frac{10}{(R_a + R_b)} = 1[\mu A] \text{ ----- (Equation 5)}$$

From equation 3,4 and 5

$$R_a = 1.79[M\Omega]$$

$$R_b = 8.21[M\Omega]$$

The following table shows the range of V0 depending on the above requirements.

Table 6-9. V0 depending on electronic volume level

	Electric Volume Level				
	0	-----	32	-----	63
V0	8.83	-----	10.00	-----	11.17

c. Voltage follower circuits

VLCD voltage (V_0) is resistively divided into four voltage levels (V_1 , V_2 , V_3 and V_4) and those output impedance are converted by the voltage follower for increasing drive capability. The following table shows the relationship between V_1 to V_4 level and each duty ratio.

Table 6-10. The relationship between V_1 to V_4 level and duty ratio

Duty Ratio	DSEL1	DSEL0	LCD Bias	V_1	V_2	V_3	V_4
1/33	L	L	1/5	$(4/5) \times V_0$	$(3/5) \times V_0$	$(2/5) \times V_0$	$(1/5) \times V_0$
			1/6	$(5/6) \times V_0$	$(4/6) \times V_0$	$(2/6) \times V_0$	$(1/6) \times V_0$
1/49	L	H	1/6	$(5/6) \times V_0$	$(4/6) \times V_0$	$(2/6) \times V_0$	$(1/6) \times V_0$
			1/8	$(7/8) \times V_0$	$(6/8) \times V_0$	$(2/8) \times V_0$	$(1/8) \times V_0$
1/65	H	H / L	1/7	$(6/7) \times V_0$	$(5/7) \times V_0$	$(2/7) \times V_0$	$(1/7) \times V_0$
			1/9	$(8/9) \times V_0$	$(7/9) \times V_0$	$(2/9) \times V_0$	$(1/9) \times V_0$

d. High power mode

The power supply circuit equipped in the HT0313A for LCD drive has very low power consumption (in normal mode : HPM = "L"). If use for LCD panels with large loads, this low-power supply may cause display quality to degrade. When this occurs, setting the HPM pin to "H"(high power mode) can improve the quality of the display. Moreover, if the quality of display is inadequate even after High Power mode has been set, then it is necessary to add a liquid crystal drive power supply externally (V_{OUT} or V_0 or V_1 , V_2 , V_3 , V_4).

6-6. REFERECE CIRCUIT EXAMPLS

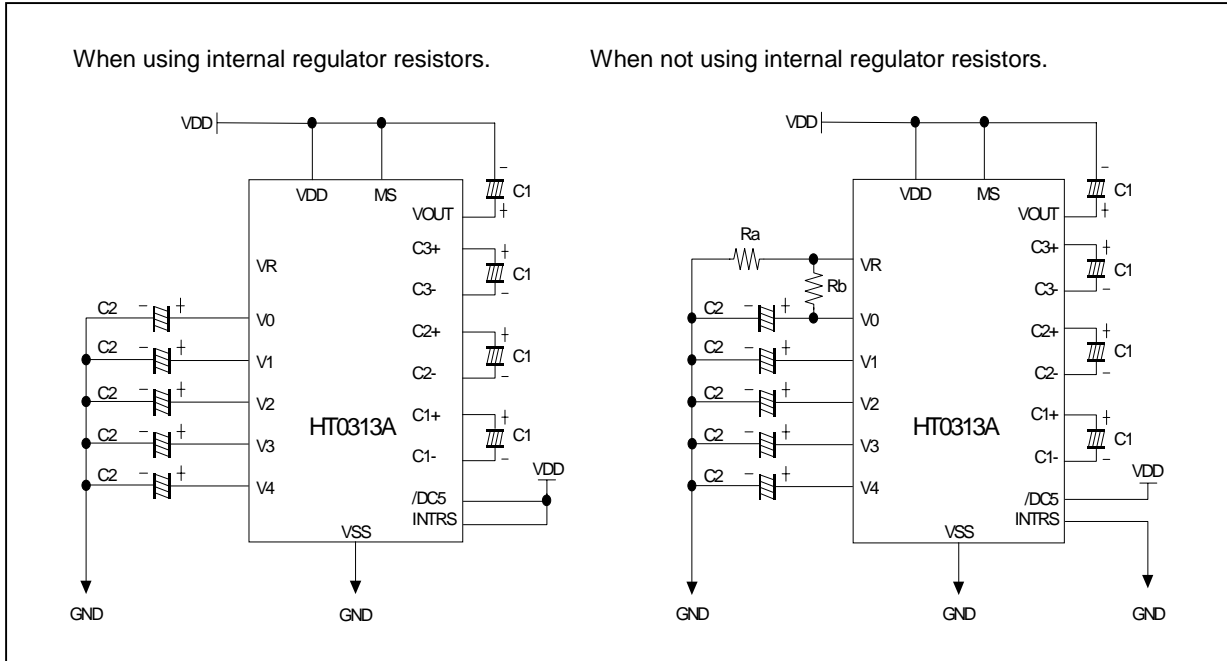


Figure 6-15. When using all LCD power circuits (4-time, V/C: ON, V/R: ON, V/F: ON)

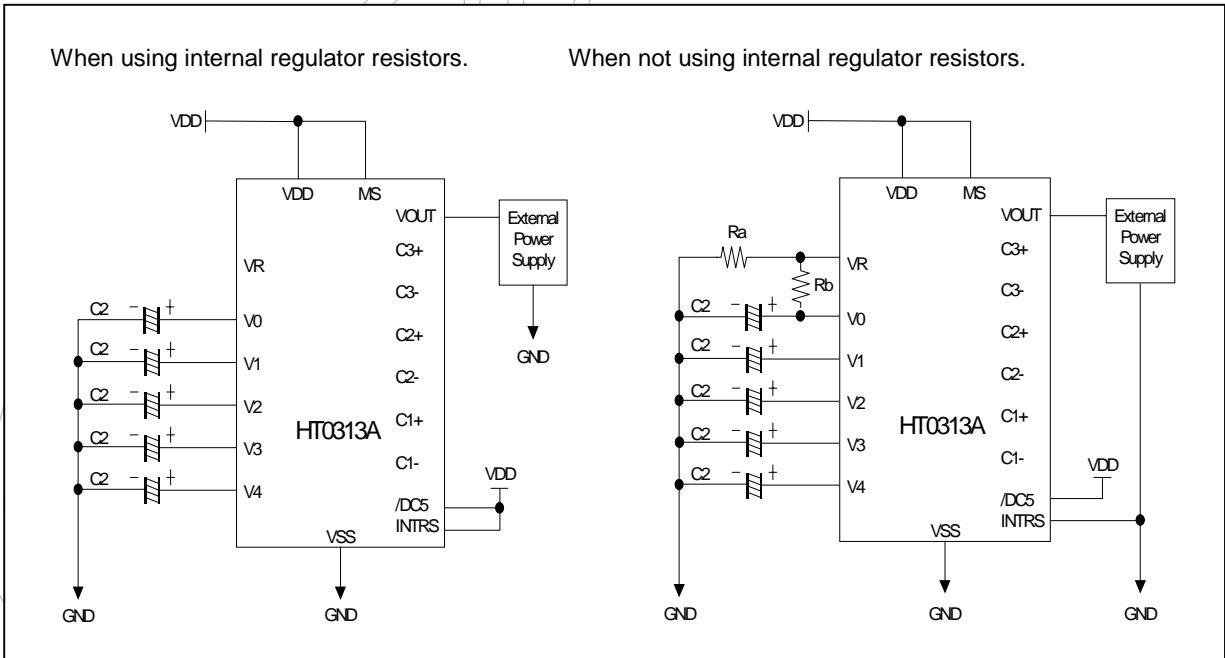


Figure 6-16. When using some LCD power circuits (V/C: OFF, V/R: ON, V/F: ON)

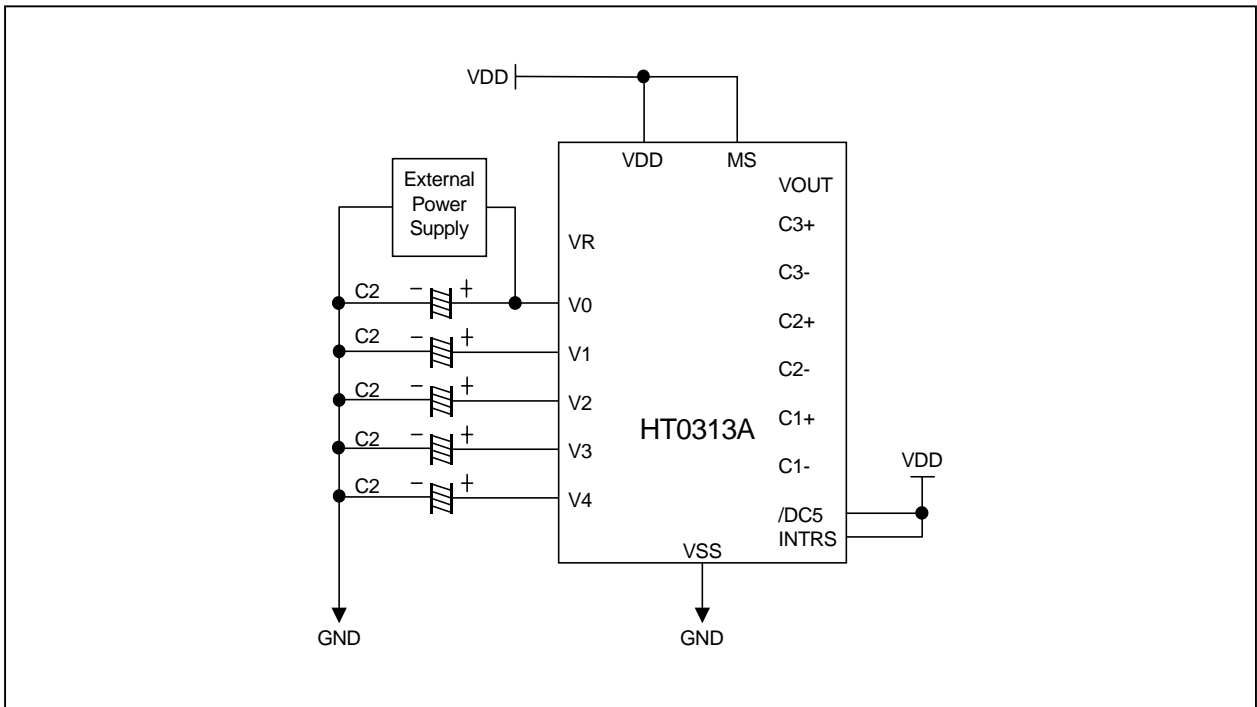


Figure 6-17. When using some LCD power circuits (V/C: OFF, V/R: OFF, V/F: ON)

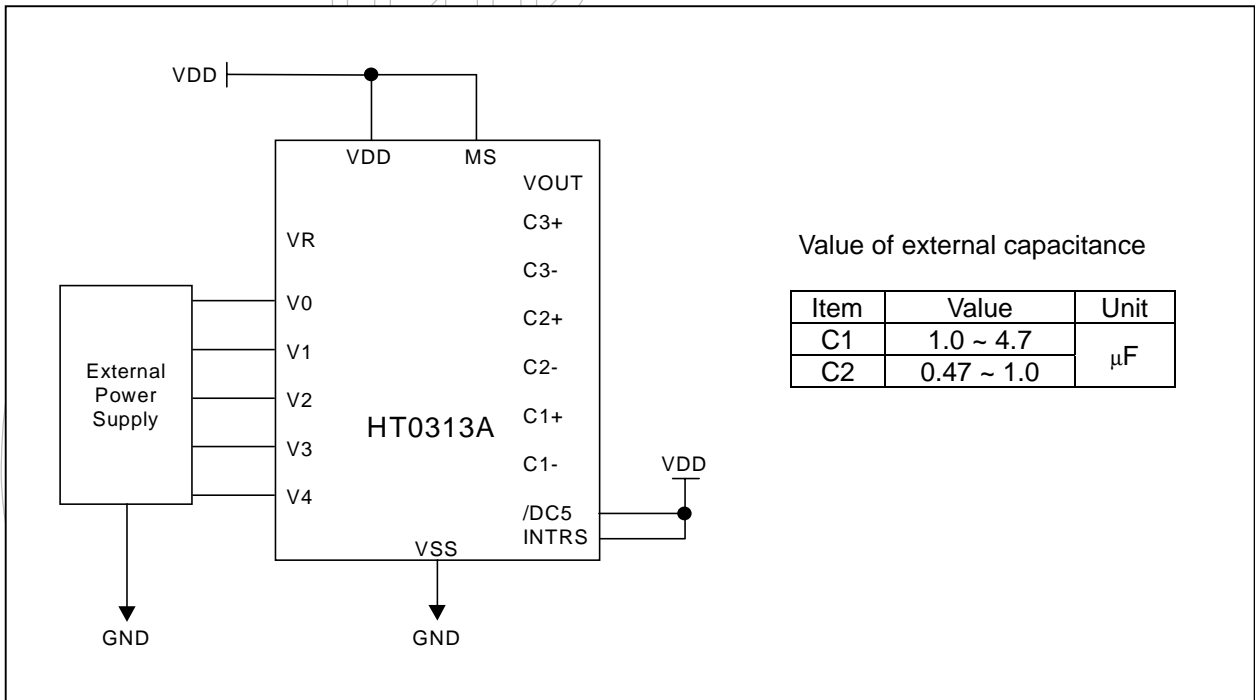


Figure 6-18. When not using any LCD power supply circuits (V/C: OFF, V/R: OFF, V/F: OFF)

6-7. RESET CIRCUIT

Setting /RESET to "L" or reset instruction can initialize internal function.
When /RESET becomes "L", following procedure is occurred.

Display ON / OFF: OFF (DON = 0).
Entire display ON / OFF: OFF (normal = 0).
ADC select: OFF (normal = 0)
Reverse display ON / OFF: OFF (normal = 0).
Power control register (VC, VR, VF) = (0, 0, 0)
LCD power supply bias ratio: bias bit 0

(Refer to LCD bias select of instruction table and duty ratio by DSEL1, DSEL0 pin setting)

Duty ratio	DSEL1	DSEL0	Liquid crystal bias	
			Bias = 0	Bias = 1
1/33	0	0	1/5	1/6
1/49	0	1	1/6	1/8
1/65	1	1 / 0	1/7	1/9

On-chip oscillator OFF (while /RESET is "L")
Set modify read: OFF.
SHL select: OFF (normal = 0).
Static indicator mode: OFF.
Static indicator register: (S1, S0) = (0, 0)
Display start line: 0 (first)
Column address: 0.
Page address: 0
Regulator resistor select register: (R2, R1, R0) = (0, 0, 0)
Reference voltage set: OFF
Reference voltage control register: (SV5, SV4, SV3, SV2, SV1, SV0) = (1, 0, 0, 0, 0, 0)

When RESET instruction is issued, following procedure is occurred.

Set modify read: OFF
Static indicator mode: OFF
Static indicator register: (S1, S0) = (0, 0)
SHL select: OFF (normal = 0)
Display start line: 0 (first)
Column address: 0
Page address: 0
Regulator resistor select register: (R2, R1, R0) = (0, 0, 0)
Reference voltage set: OFF
Reference voltage control register: (SV5, SV4, SV3, SV2, SV1, SV0) = (1, 0, 0, 0, 0, 0)

While /RESET is "L", or Reset instruction is executed, no instruction except read status can be accepted.
Reset status appears at DB4. After DB4 becomes "L", any instruction can be accepted. /RESET must be connected to the reset pin of the MPU, and initialize the MPU and this LSI at the same time. The initialization by /RESET is essential before used.

7. PROGRAM INSTRUCTION DESCRIPTION

Table 7-1. Instruction Table

x : Don't care

Instruction	RS	RW	DB7	DB6	DB5	DB4	DB3	DB2	DB1	DB0	Description
Read display data	1	1	Read data								Read data from DDRAM
Write display data	1	0	Write data								Write data into DDRAM
Read status	0	1	Busy	ADC	ON / OFF	/RESET	0	0	0	0	Read the internal status
Display ON / OFF	0	0	1	0	1	0	1	1	1	DON	Turn ON / OFF LCD panel When DON = 0 : display OFF When DON=1 : display ON
Initial display line	0	0	0	1	ST5	ST4	ST3	ST2	ST1	ST0	Specify DDRAM line for COM0
Set reference voltage mode	0	0	1	0	0	0	0	0	0	1	Set reference voltage mode
Set reference voltage register	0	0	X	X	SV5	SV4	SV3	SV2	SV1	SV0	Set reference voltage register
Set page address	0	0	1	0	1	1	P3	P2	P1	P0	Set page address
Set column address MSB	0	0	0	0	0	1	Y7	Y6	Y5	Y4	Set column address MSB
Set column address LSB	0	0	0	0	0	0	Y3	Y2	Y1	Y0	Set column address LSB
ADC select	0	0	1	0	1	0	0	0	0	ADC	Select SEG output direction. When ADC = 0 : normal direction (SEG0 ⇒ SEG131) When ADC = 1 ; reverse direction (SEG131 ⇒ SEG0)
Reverse display ON / OFF	0	0	1	0	1	0	0	1	1	REV	Select normal / reverse display When REV = 0 : normal display When REV = 1 : reverse display
Entire display ON / OFF	0	0	1	0	1	0	0	1	0	EON	Select normal / entire display ON When EON = 0 : normal display When EON = 1 : entire display ON
LCD bias select	0	0	1	0	1	0	0	0	1	BIAS	Select LCD bias
Set modify-read	0	0	1	1	1	0	0	0	0	0	Set modify-read mode
Reset modify-read	0	0	1	1	1	0	1	1	1	0	Reset modify-read mode
Reset	0	0	1	1	1	0	0	0	1	0	Initialize the internal function
SHL select	0	0	1	1	0	0	SHL	X	X	X	Select COM output direction When SHL = 0 : normal direction (COM0 ⇒ COM63) When SHL = 1 : reverse direction (COM63 ⇒ COM0)
Power control	0	0	0	0	1	0	1	VC	VR	VF	Control power circuit operation
Regulator resistor select	0	0	0	0	1	0	0	R2	R1	R0	Select internal resistance ratio of the regulator resistor
Set static indicator mode	0	0	1	0	1	0	1	1	0	SM	Set static indicator mode
Set static indicator register	0	0	X	X	X	X	X	X	S1	S0	Set static indicator register
Power save	-	-	-	-	-	-	-	-	-	-	Compound instruction of display OFF and entire display ON
Test instruction	0	0	1	1	1	1	X	X	X	X	Don't use this instruction.

7-1. Read display data

The 8-bit data from DDRAM specified by the column address and the page address can be read by this instruction. As the column address is increased by 1 automatically after each this instruction, the MPU can continuously read the data from the addressed page. A dummy read is required after loading an address into the column address register. Display data cannot be read through the serial interface.

RS	RW	DB7	DB6	DB5	DB4	DB3	DB2	DB1	DB0
1	1	Read data							

7-2. Write display data

8-bit data of display data from the MPU can be written to the RAM location specified by the column address and page address. The column address is increased by 1 automatically so that the microprocessor can continuously write data to the addressed page.

RS	RW	DB7	DB6	DB5	DB4	DB3	DB2	DB1	DB0
1	0	Write data							

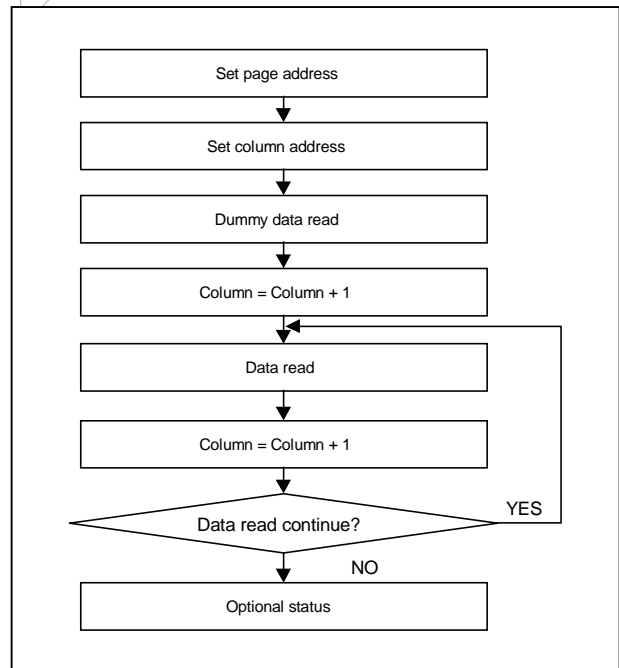
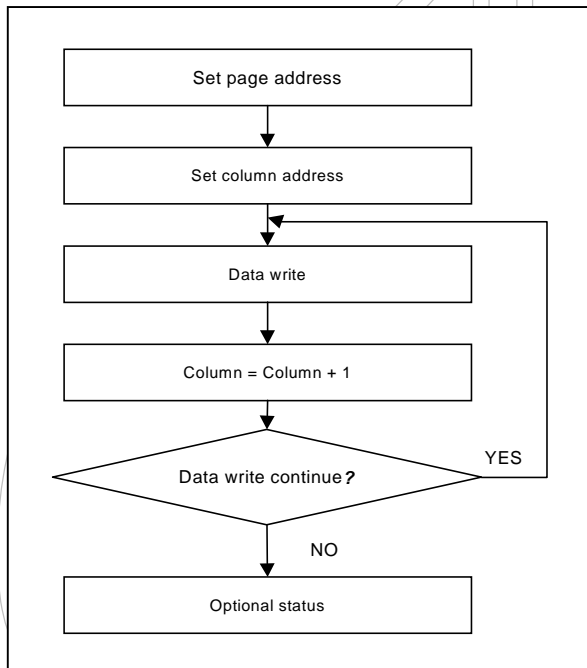


Figure 7-1. Sequence for writing display data **Figure 7-2. Sequence for reading display data**

7-3. Read status

Indicates the internal status of the HT0313A.

RS	RW	DB7	DB6	DB5	DB4	DB3	DB2	DB1	DB0
0	1	BUSY	ADL	ON/OFF	/RESET	0	0	0	0

Flag	Description
BUSY	The device is busy when internal operation or reset. Any instruction is rejected until BUSY goes Low. 0: chip is active, 1: chip is being busy.
ADC	Indicates the relationship between RAM column address and segment driver. 0: reverse direction (SEG131 →SEG0), 1: normal direction (SEG0 →SEG131)
ON / OFF	Indicates display ON / OFF status. 0: display ON, 1: display OFF
/RESET	Indicate the /RESET.

7-4. Display ON / OFF

Turns the display ON or OFF

RS	RW	DB7	DB6	DB5	DB4	DB3	DB2	DB1	DB0
0	0	1	0	1	0	1	1	1	DON

DON = 1: display ON

DON = 0: display OFF

7-5. Initial Display Line

Sets the line address of DDRAM to determine the initial display line. The RAM display data is displayed at the top row (COM0 when SHL = L, COM63 when SHL = H) of LCD panel.

RS	RW	DB7	DB6	DB5	DB4	DB3	DB2	DB1	DB0
0	0	0	1	ST5	ST4	ST3	ST2	ST1	ST0

ST5	ST4	ST3	ST2	ST1	ST0	Line address
0	0	0	0	0	0	0
0	0	0	0	0	1	1
:	:	:	:	:	:	:
1	1	1	1	0	1	61
1	1	1	1	1	0	62
1	1	1	1	1	1	63

7-6. Reference voltage select

Consists of 2-byte instruction the first instruction sets reference voltage mode, the second one updates the contents of reference voltage register. After second instruction, reference voltage mode is released.

The first instruction: Set reference voltage select mode

RS	RW	DB7	DB6	DB5	DB4	DB3	DB2	DB1	DB0
0	0	1	0	0	0	0	0	0	1

The second instruction: Set reference voltages select mode

RS	RW	DB7	DB6	DB5	DB4	DB3	DB2	DB1	DB0
0	0	X	X	SV5	SV4	SV3	SV2	SV1	SV0

SV5	SV4	SV3	SV2	SV1	SV0	Reference voltage parameter (α)
0	0	0	0	0	0	0
0	0	0	0	0	1	1
:	:	:	:	:	:	:
1	0	0	0	0	0	32 (default)
:	:	:	:	:	:	:
1	1	1	1	1	0	62
1	1	1	1	1	1	63

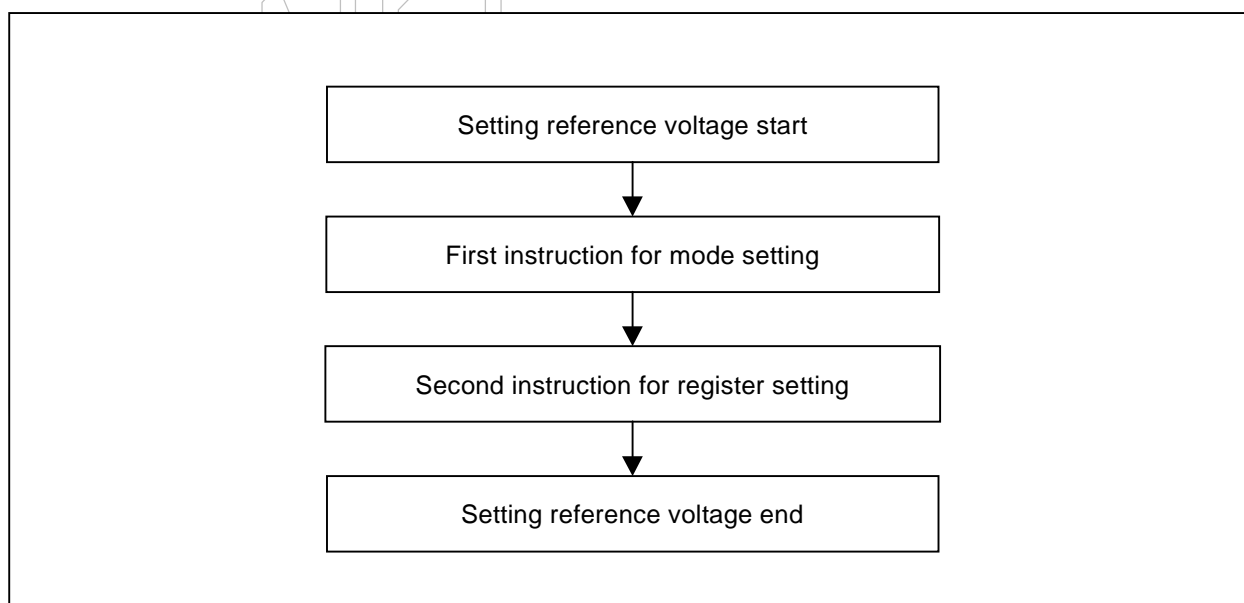


Figure 7-3. Sequence for setting the reference voltage

7-7. Set page address

Sets the page address of DDRAM from the MPU into the page address register. Any RAM data bit can be accessed when its page address and column address are specified. Along with the column address, the page address defines the address of the DDRAM to write or read display data. Changing the page address doesn't effect to the display status.

RS	RW	DB7	DB6	DB5	DB4	DB3	DB2	DB1	DB0
0	0	1	0	1	1	P3	P2	P1	P0

P 3	P 2	P 1	P 0	Page
0	0	0	0	0
0	0	0	0	1
:	:	:	:	:
0	1	1	1	7
1	0	0	0	8

7-8. Set column address

Sets the column address of DDRAM from the MPU into the column address register. Along with the column address, the column address defines the address of the DDRAM to write or read display data. When the MPU reads or writes display data to or from DDRAM, column addresses are automatically increased.

Set column address MSB

RS	RW	DB7	DB6	DB5	DB4	DB3	DB2	DB1	DB0
0	0	0	0	0	1	Y7	Y6	Y5	Y4

Set column address LSB

RS	RW	DB7	DB6	DB5	DB4	DB3	DB2	DB1	DB0
0	0	0	0	0	0	Y3	Y2	Y1	Y0

Y7	Y6	Y5	Y4	Y3	Y2	Y1	Y0	Column address
0	0	0	0	0	0	0	0	0
0	0	0	0	0	0	0	1	1
:	:	:	:	:	:			:
1	0	0	0	0	0	1	0	130
1	0	0	0	0	0	1	1	131

7-9. ADC select

Changes the relationship between DDRAM column address and segment driver. The direction of segment driver output pin can be reversed by software. This makes IC layout flexible in LCD module assembly.

RS	RW	DB7	DB6	DB5	DB4	DB3	DB2	DB1	DB0
0	0	1	0	1	0	0	0	0	ADC

ADC = 0: normal direction (SEG0 ⇒ SEG131)

ADC = 1: reverse direction (SEG131 ⇒ SEG0)

7-10. Reverse display ON / OFF

Reverses the display status on LCD panel without rewriting the contents of the DDRAM.

RS	RW	DB7	DB6	DB5	DB4	DB3	DB2	DB1	DB0
0	0	1	0	1	0	0	1	1	REV

REV	RAM bit data = "1"	RAM bit data = "0"
0(Normal)	Liquid crystal pixel is illuminated	Liquid crystal pixel is not illuminated
1(Reversed)	Liquid crystal pixel is not illuminated	Liquid crystal pixel is illuminated

7-11. Entire display ON / OFF

Forces the whole LCD points to be turned on regardless of the contents of the DDRAM. At this time, the contents of the DDRAM are held. This instruction has priority over the reverse display ON / OFF instruction.

RS	RW	DB7	DB6	DB5	DB4	DB3	DB2	DB1	DB0
0	0	1	0	1	0	0	1	0	EON

EON = 0: normal display

EON = 1: entire display ON

7-12. Select LCD bias

Selects LCD bias ratio of the voltage required for driving the LCD.

RS	RW	DB7	DB6	DB5	DB4	DB3	DB2	DB1	DB0
0	0	1	0	1	0	0	0	1	Bias

Duty ratio	DSEL1	DSEL0	Liquid crystal bias	
			Bias = 0	Bias = 1
1/33	0	0	1/5	1/6
1/49	0	1	1/6	1/8
1/65	1	1 / 0	1/7	1/9

7-13. Set modify-read

This instruction stops the automatic increment of the column address by the read display data instruction, but the column address is still increased by the write display data instruction. And it reduces the load of the MPU when the data of a specific area is repeatedly changed during cursor blinking or others. This mode is canceled by the reset modify-read instruction.

RS	RW	DB7	DB6	DB5	DB4	DB3	DB2	DB1	DB0
0	0	1	1	1	0	0	0	0	0

7-14. Reset modify-read

This instruction cancels the modify-read mode, and makes the column address return to its initial value just before the set modify-read instruction is started.

RS	RW	DB7	DB6	DB5	DB4	DB3	DB2	DB1	DB0
0	0	1	1	1	0	1	1	1	0

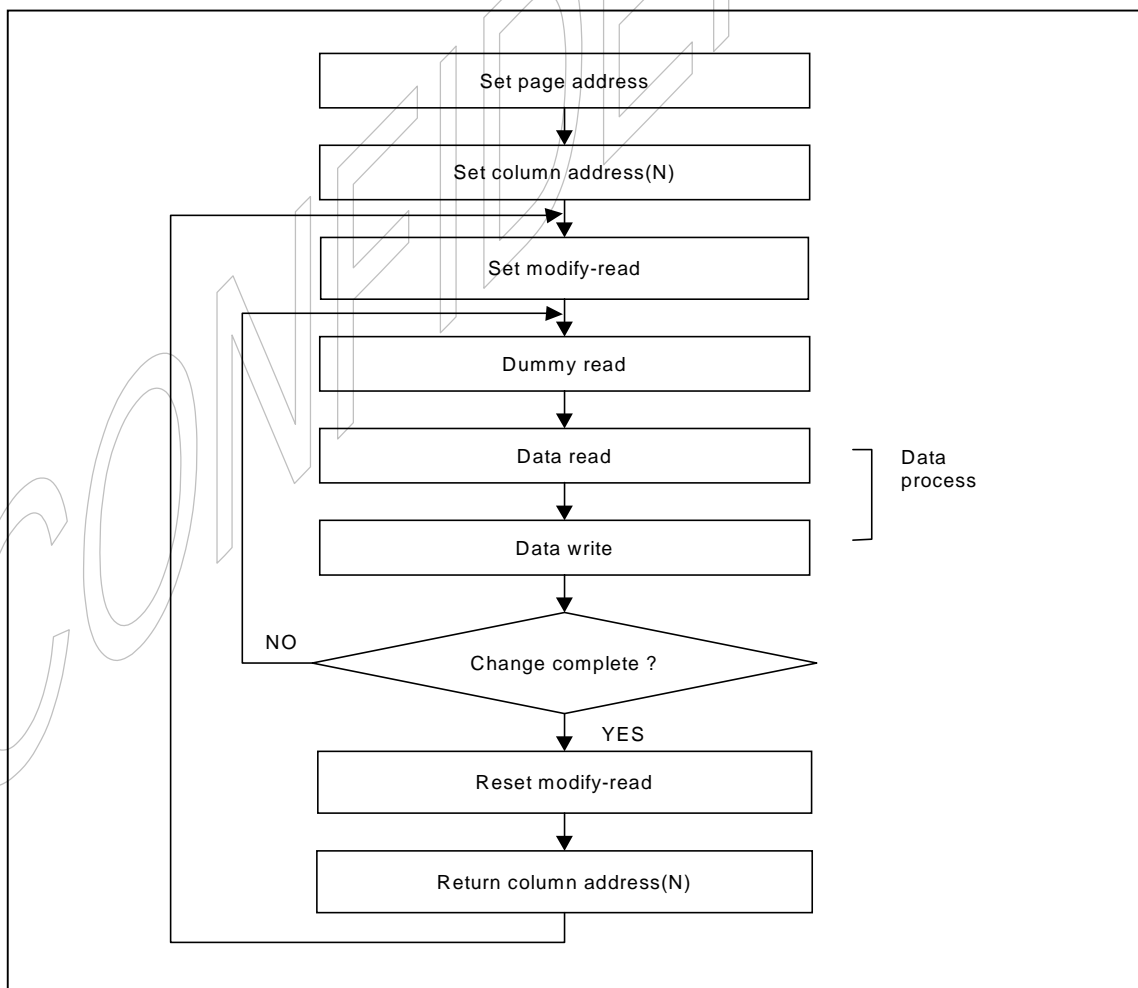


Figure 7-4. Sequence for cursor display

7-15. Reset

This instruction resets initial display line, column address, page address, and common output status select to their initial status, but does not affect the contents of DDRAM. This instruction can not initialize the LCD power supply which is initialized by the /RESET pin.

RS	RW	DB7	DB6	DB5	DB4	DB3	DB2	DB1	DB0
0	0	1	1	1	0	0	0	1	0

7-16. SHL select

COM output scanning direction is selected by this instruction which determines the LCD driver output status.

RS	RW	DB7	DB6	DB5	DB4	DB3	DB2	DB1	DB0
0	0	1	1	0	0	SHL	X	X	X

SHL = 0: normal direction (COM0 ⇒ COM63)

X : Don't care

SHL = 1: reverse direction (COM63 ⇒ COM0)

7-17. Power control

Selects one of eight power circuit functions by using 3-bit register. An external power supply and part of internal power supply functions can be used simultaneously.

RS	RW	DB7	DB6	DB5	DB4	DB3	DB2	DB1	DB0
0	0	0	0	1	0	1	VC	VR	VF

VC	VR	VF	Internal power supply circuits status
0			Voltage converter circuit is OFF
1			Voltage converter circuit is ON
	0		Voltage regulator circuit is OFF
	1		Voltage regulator circuit is ON
		0	Voltage follower circuit is OFF
		1	Voltage Follower circuit is ON

7-18. Regulator resistor select

Selects resistance ratio of the internal resistor used in the internal voltage regulator. See voltage regulator section in power supply circuit. Refer to the table 6-8.

RS	RW	DB7	DB6	DB5	DB4	DB3	DB2	DB1	DB0
0	0	0	0	1	0	0	R2	R1	R0

R2	R1	R0	Value of (1+ Rb/Ra)
0	0	0	1.90
0	0	1	2.19
0	1	0	2.55
0	1	1	3.02
1	0	0	3.61
1	0	1	4.35
1	1	0	5.29
1	1	1	6.48

7-19. Set static indicator state

Consists of two bytes instruction. The first byte instruction (set static indicator mode) enables the second byte instruction (set static indicator register) to be valid. The first byte sets the static indicator ON / OFF. When it is on, the second byte updates the contents of static indicator register without issuing any other instruction and this static indicator state is released after setting the data of indicator register.

The first instruction: Set static indicator mode (ON / OFF)

RS	RW	DB7	DB6	DB5	DB4	DB3	DB2	DB1	DB0
0	0	1	0	1	0	1	1	0	SM

SM = 0: static indicator OFF

SM = 1: static indicator ON

The second instruction: Set static indicator register

RS	RW	DB7	DB6	DB5	DB4	DB3	DB2	DB1	DB0
0	0	X	X	X	X	X	X	S1	S0

S1	S0	Static indicator output status
0	0	OFF
0	1	ON (1 second blinking)
1	0	ON (0.5 second blinking)

1	1	ON (always ON)
---	---	-----------------

7-20. Power save (Compound instruction).

If the entire display ON / OFF instruction is issued during the display OFF state, HT0313A enters the power save status to reduce the power consumption to the static power consumption value. According to the status of static indicator mode, power save is entered to one of two modes (sleep and standby mode). When static indicator mode is ON, standby mode is issued, when OFF, sleep mode is issued. Power save mode is released by the display ON and entire display OFF instruction.

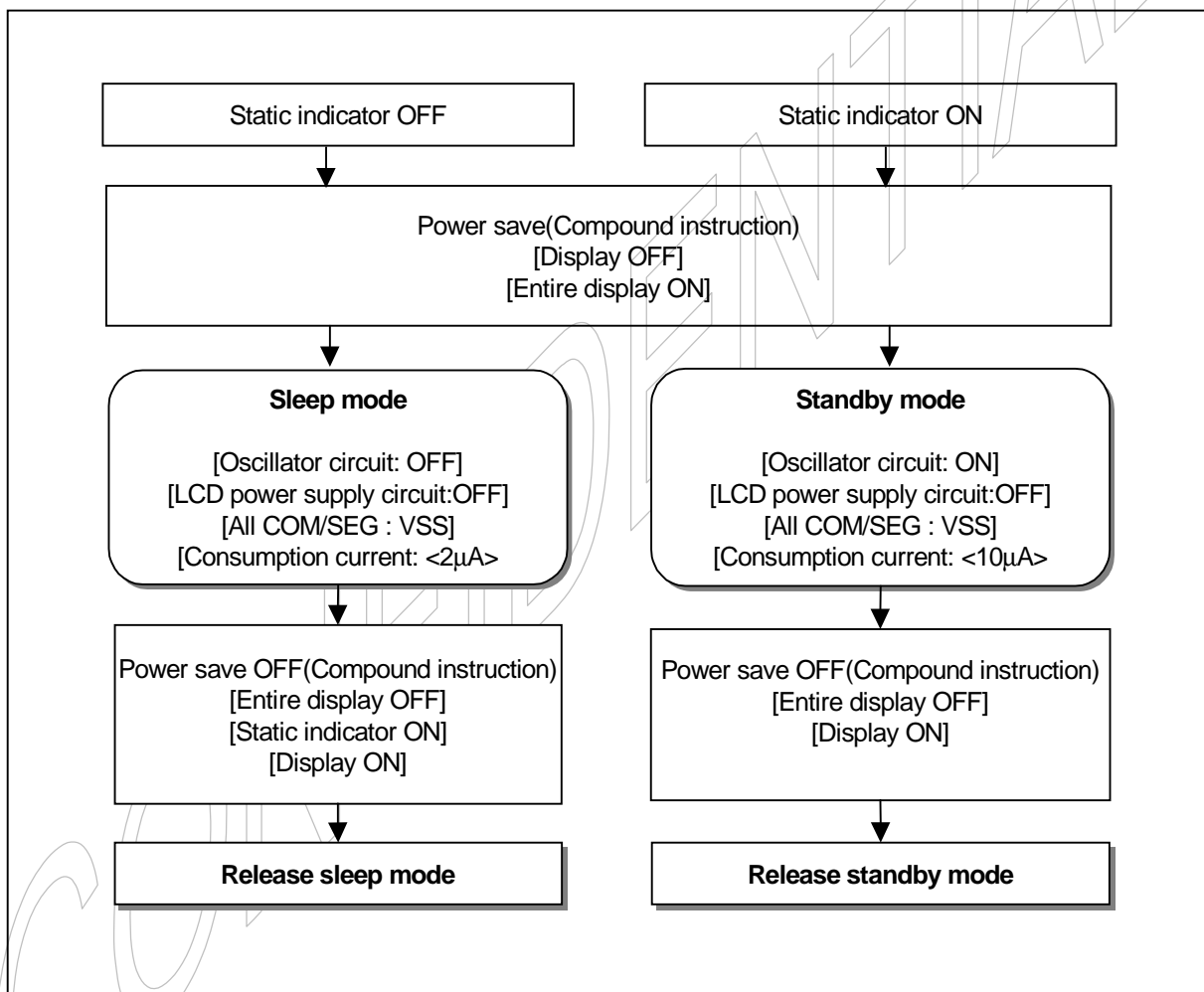


Figure 7-5. Power save routine

7-21. Referential instruction setup flow (1)

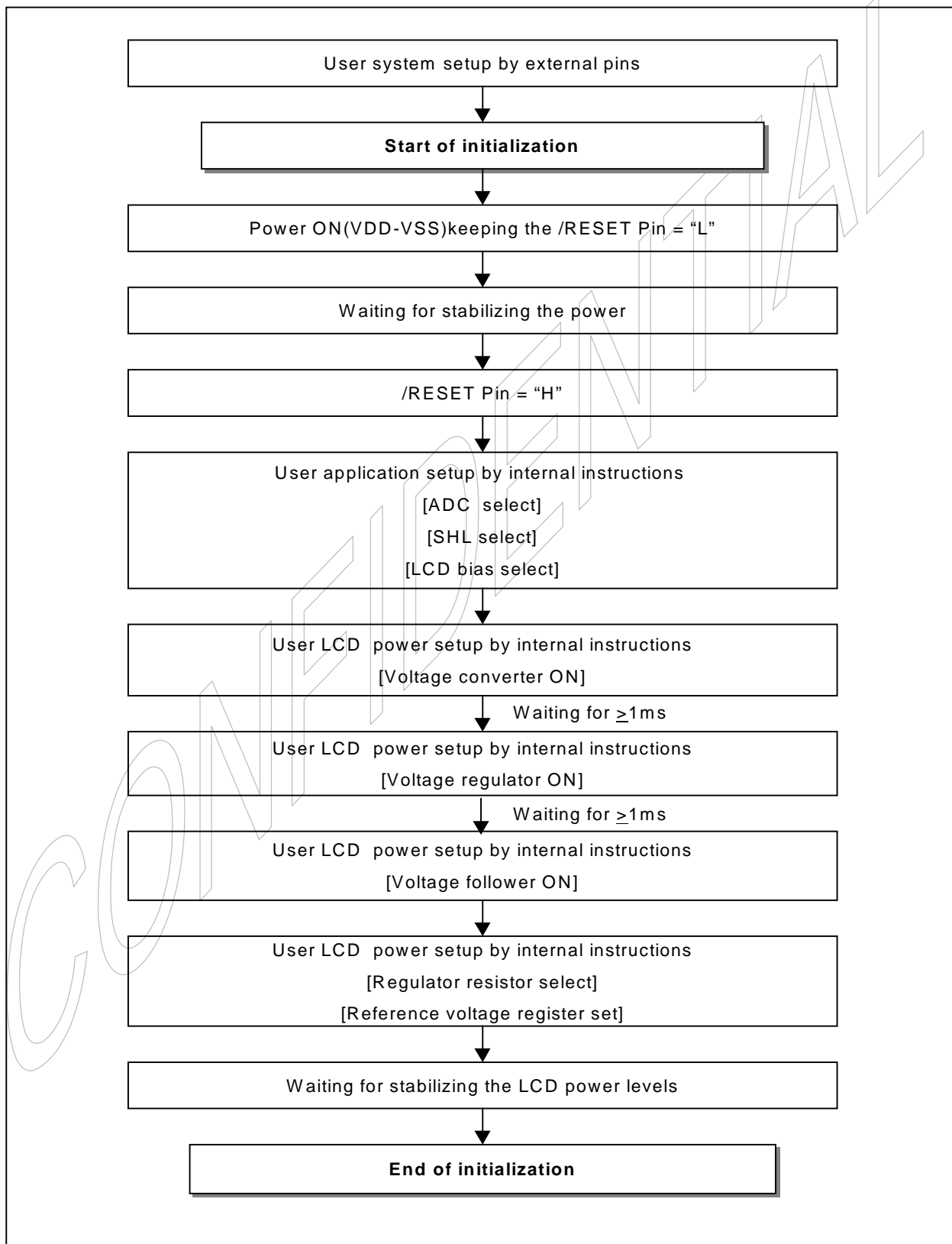


Figure 7-6. Initializing with the built-in power supply circuits

Referential instruction setup flow (2)

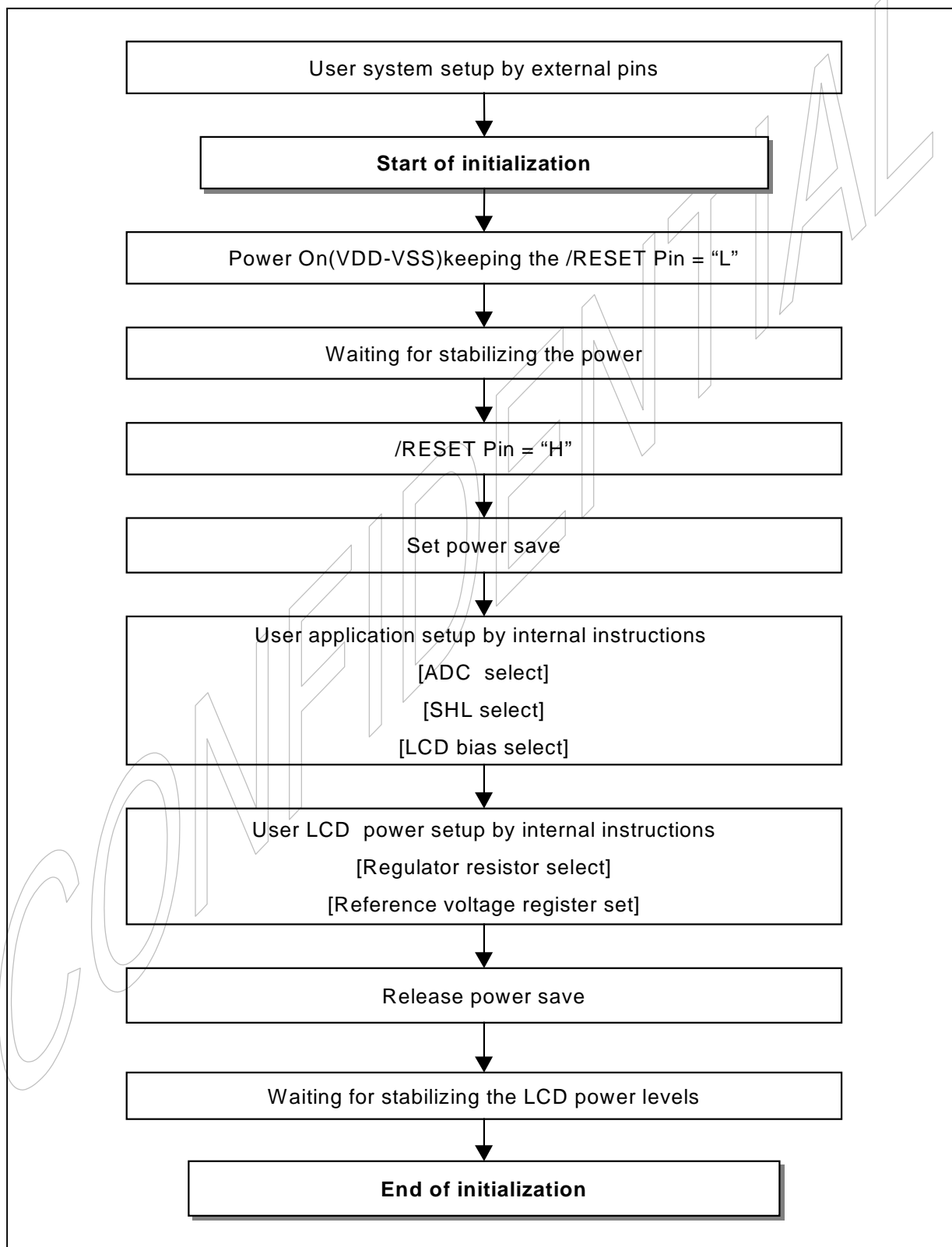
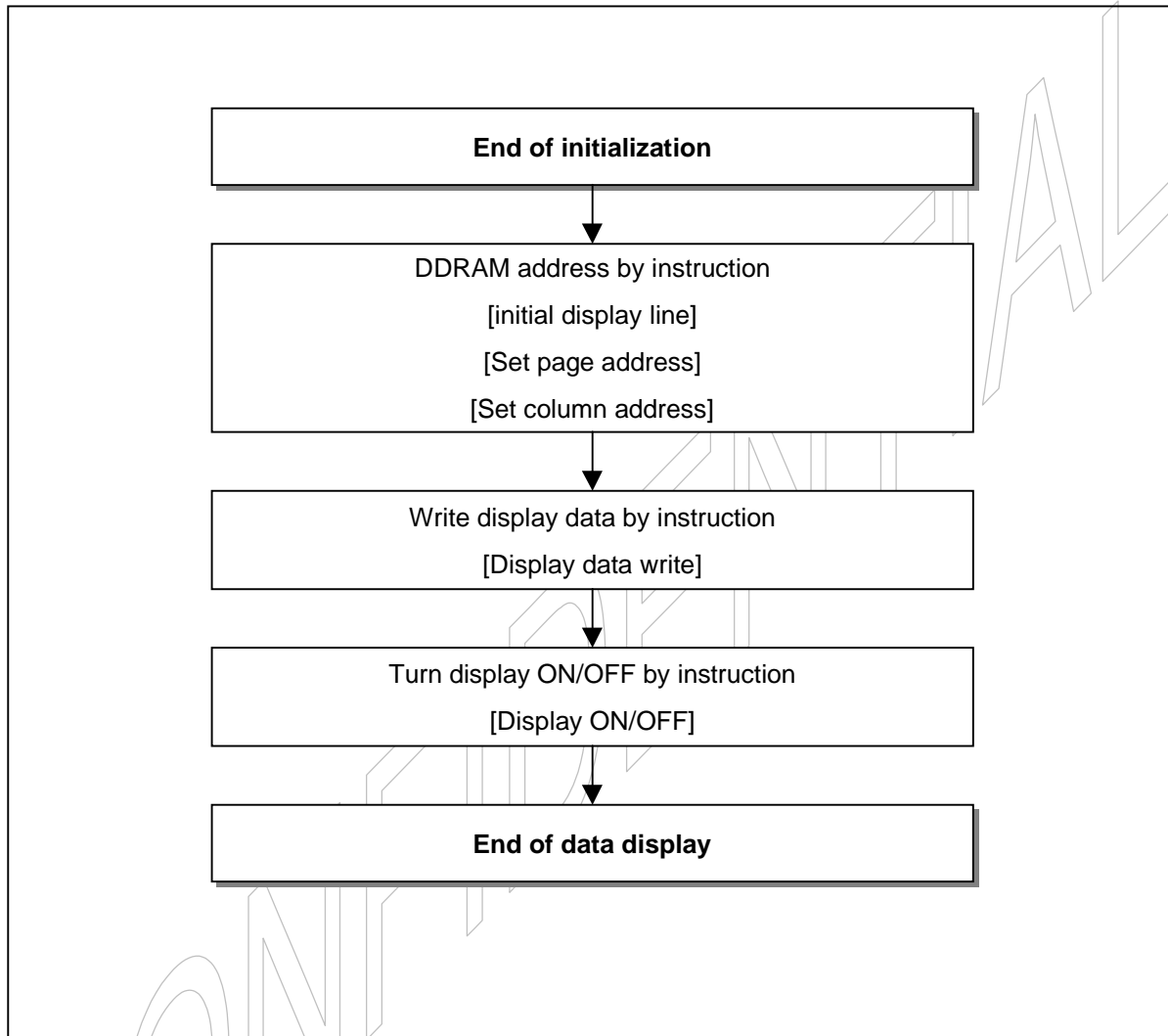


Figure 7-7. Initializing without the built-in power supply circuits**Referential Instruction Setup Flow (3)****Figure 7-8. Data display**

Referential instruction setup flow (4)

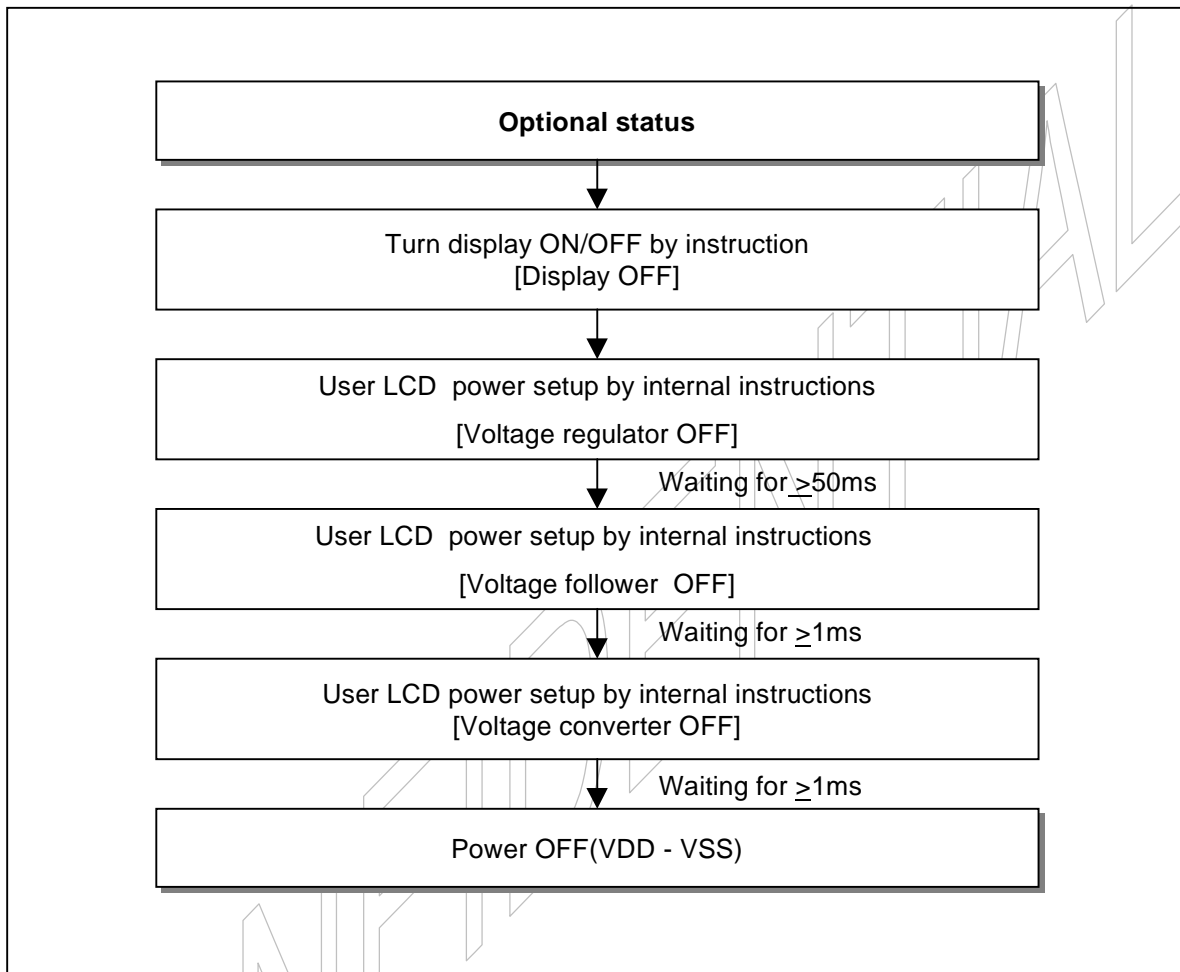


Figure 7-9. Power off.

8. SPECIFICATIONS

8-1. Absolute maximum ratings

Table 8-1. Absolute maximum ratings

Parameter	Symbol	Rating	Unit
Supply voltage range	VDD	-0.3 to +7.0	V
	VLCD	-0.3 to +17.0	
Input voltage range	VIN	-0.3 to VDD +0.3	
Operating temperature range	T _{OPR}	-40 to +85	°C
Storage temperature range	T _{STR}	-55 to +125	

Notes:

1. VDD and VLCD are based on VSS = 0V.
2. Voltages $V0 \geq V1 \geq V2 \geq V3 \geq V4 \geq VSS(\text{GND})$ must always be satisfied. (VLCD = V0 - VSS)
3. If supply voltage exceeds its absolute maximum range, this LSI may be damaged permanently. It is desirable to use this LSI under electrical characteristic conditions during general operation. Otherwise, this LSI may malfunction or reduced LSI reliability may result.

8-2. DC Characteristics

Table 8-2. DC characteristics (VSS = 0V, VDD = 2.4V to 5.5V, Ta = -40 to +85°C)

Item	Symbol	Condition	Min	Typ	Max	Unit	Pin Used	
Operating voltage(1)	VDD		2.4	-	5.5	V	VDD *1	
Operating voltage(2)	V0		4.0	-	15.0		V0 *2	
Input voltage	High	V _{IH}	0.8VDD	-	VDD		*3	
	Low	V _{IL}	VSS	-	0.2VDD			
Output voltage	High	V _{OH}	I _{OH} =-0.5mA	0.8VDD	-		VDD	*4
	Low	V _{OL}	I _{OL} =0.5mA	VSS	-	0.2VDD		
Input leakage current	I _{IL}	V _{IN} =VDD or VSS	-1.0	-	+1.0	μA	*5	
Output leakage current	I _{OZ}	V _{IN} =VDD or VSS	-3.0	-	+3.0		*6	
LCD driver ON resistance	R _{ON}	Ta = 25°C V0 = 8V	-	2.0	3.0	kΩ	COMn SEGn *7	
Oscillator frequency(1)	Internal	f _{OSC}	Ta = 25°C Duty ratio = 1/65	17	22	27	kHz	CL*8
	External	f _{CL}		4.25	5.50	6.75		
Oscillator frequency(2)	Internal	f _{OSC}	Ta = 25°C Duty ratio = 1/49	20	25	30		CL*8
	External	f _{CL}		3.33	4.17	5.00		

Table 8-2. DC Characteristics (Continued) (VSS = 0V, VDD = 2.4V to 5.5V, Ta = -40 to +85°C)

Item	Symbol	Condition	Min	Typ	Max	Unit	Pin Used
Voltage converter/regulator/follower							
Voltage converter input voltage	VDD	x 2	2.4	-	5.5	V	VDD
		x 3	2.4		5.0		
		x 4	2.4		3.75		
		x 5	2.4		3.0		
Voltage converter output voltage	VOOUT	x 2 / x 3 / x 4 / x 5 voltage conversion (no-load)	95	99	-	%	VOOUT
Voltage regulator operating voltage	VOOUT	-	4.0	-	15.0	V	VOOUT
Voltage follower operating voltage	V0	-	4.0	-	15.0		V0*9
Reference voltage	VREF	Ta = 25°C -0.2%/°C	1.94	2.0	2.06		*10

Table 8-2. DC Characteristics (Continued) (VSS = 0V, VDD = 2.4V to 5.5V, Ta = -40 to +85°C)

Dynamic current consumption (1): Built-in circuit OFF (At operating mode)							
Dynamic current consumption (1)	IDD1	VDD = 3.0V, V0 – VSS= 11.0V, 1/65 duty ratio, display pattern OFF	-	-	20	μA	*11
Dynamic Current Consumption (2): Built-in circuit ON (At operating mode)							
Dynamic current consumption (2)	IDD2	VDD = 3.0V, Quad boosting, V0 – VSS= 11.0V, 1/65 duty ratio, display pattern OFF, normal power mode	-	50	-	μA	*12
		VDD = 3.0V, Quad boosting, V0 – VSS= 11.0V, 1/65 duty ratio, display pattern check, normal power mode	-	70	-	μA	*12
Current consumption during power save mode							
Sleep mode current	IDDS1	During sleep	-	-	2.0	μA	
Standby mode current	IDDS2	During standby			10.0	μA	

Table 8-3. The relationship between oscillation frequency and frame frequency

Duty ratio	Item	f _{CL}	f _M
1/65	On-chip oscillator circuit is used	f _{osc} / 4	f _{osc} / (8 x 65)
	External clock is used	External Input(f _{CL})	f _{CL} / (2 x 65)
1/49	On-chip oscillator circuit is used	f _{osc} / 6	f _{osc} / (12 x 49)
	External clock is used	External Input(f _{CL})	f _{CL} / (2 x 49)
1/33	On-chip oscillator circuit is used	f _{osc} / 8	f _{osc} / (16 x 33)
	External clock is used	External Input(f _{CL})	f _{CL} / (2 x 33)

*(f_{osc}: oscillation frequency, f_{CL}: display clock frequency, f_M: LCD AC signal frequency)

<* Remark solves>

- *1. Though the wide range of operating voltages is guaranteed, a spike voltage change may affect the voltage assurance during access from the MPU
- *2. In case of external power supply is applied.
- *3. /CS1, CS2, RS, DB0 to DB7, E₋/RD, RW₋/RW, /RESET, MS, C68, PS, INTRs, HPM, /DC5, CLS, CL, M, DISP pins.
- *4. DB0 to DB7, M, FRS, DISP, CL pin.
- *5. /CS1, CS2, RS, DB7 to DB0, E₋/RD, RW₋/WR, /RESET, MS, C68, PS, INTRs, HPM, /DC5, CLS, CL, M, DISP pin.
- *6. Applies when then DB7 to DB0, M, DISP, and CL, pins are in high impedance.
- *7. Resistance value when ±0.1[mA] is applied during the ON status of the output pin SEG_n or COM_n.
RON = ΔV / 0.1[kΩ] (ΔV :Voltage change when ±0.1[mA] is applied in the on status)
- *8. See table 8-3 for the relationship between oscillation /frequency and frame frequency.
- *9. The Voltage regulator circuit adjusts V0 within the voltage follower operating voltage range.
- *10. On-chip reference voltage source of the voltage regulator circuit to adjust V0.
- *11, 12. Applies to the case where the on-chip oscillation circuit is used and no access is made from the MPU.
The current consumption, when the built -in power supply circuit is ON or OFF.
The current flowing through voltage regulation resistors (Ra and Rb) is not included.
It does not include the current of the LCD penal capacity, wiring capacity, etc.

8-3. AC CHARACTERISTICS

a. Read / write characteristics (8080-series MPU)

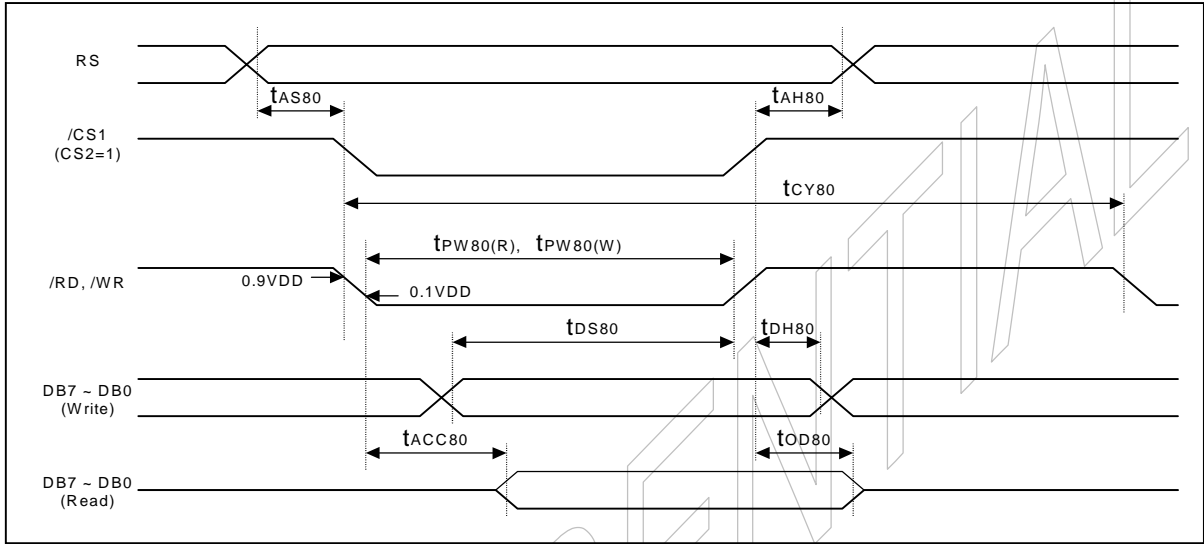


Figure 8-4. Read / write timing chart (8080-series MPU)

(VDD = 2.4 to 3.6V, Ta = -40 to +85°C)

Item	Signal	Symbol	Min.	Typ.	Max.	Unit	Remark
Address setup time	RS	t_{AS80}	13	-	-	ns	
Address hold time		t_{AH80}	17	-	-	ns	
System cycle time	RS	t_{CY80}	400	-	-	ns	
Pulse width(/WR)	RW-/WR	$t_{PW80} (W)$	55	-	-	ns	
Pulse width(/RD)	E-/RD	$t_{PW80} (R)$	125	-	-	ns	
Data setup time	DB7 to DB0	t_{DS80}	35	-	-	ns	
Data hold time		t_{DH80}	13	-	-	ns	
Read access time	DB0	t_{Acc80}	-	-	125	ns	CL = 100pF
Output disable time		t_{od80}	10	-	90	ns	

(VDD = 3.6 to 5.5V, Ta = -40 to +85°C)

Item	Signal	Symbol	Min.	Typ.	Max.	Unit	Remark
Address setup time	RS	t_{AS80}	10	-	-	ns	
Address hold time		t_{AH80}	10	-	-	ns	
System cycle time	RS	t_{CY80}	150	-	-	ns	
Pulse width(/WR)	RW-/WR	$t_{PW80} (W)$	25	-	-	ns	
Pulse width(/RD)	E-/RD	$t_{PW80} (R)$	65	-	-	ns	
Data setup time	DB7 to DB0	t_{DS80}	18	-	-	ns	
Data hold time		t_{DH80}	10	-	-	ns	

Read access time		t_{Acc80}	-	-	65	ns	CL = 100pF
Output disable time		t_{od80}	10	-	45		

b. Read / write characteristics (6800-series MPU)

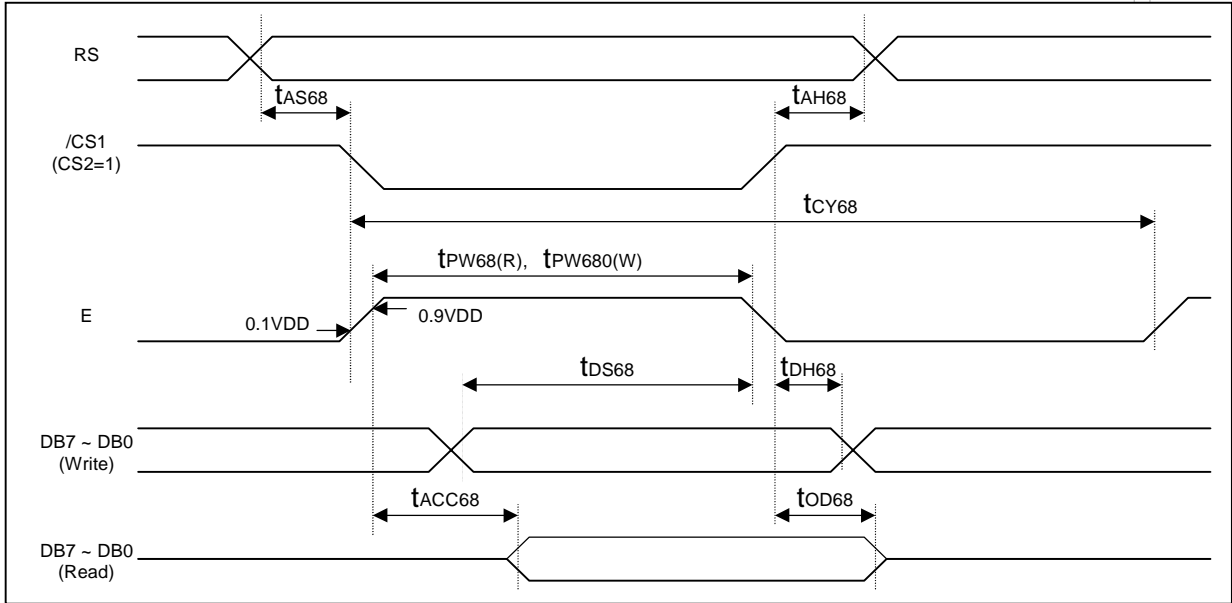


Figure 8-5. Read / write timing chart (6800-series MPU)

(VDD = 2.4 to 3.6V, Ta = -40 to +85°C)

Item	Signal	Symbol	Min.	Typ.	Max.	Unit	Remark
Address setup time	RS	t_{AS68}	13	-	-	ns	
Address hold time		t_{AH68}	17	-	-	ns	
System cycle time	RS	t_{AH68}	400	-	-	ns	
Enable pulse width	E-/RD	$t_{PW68(R)}$	125	-	-	ns	
		$t_{PW68(W)}$	55	-	-	ns	
Data setup time	DB7 to DB0	t_{DS68}	35	-	-	ns	
Data hold time		t_{DH68}	13	-	-	ns	
Access time	DB0	t_{ACC68}	-	-	125	ns	CL = 100pF
Output disable time		t_{OD68}	10	-	90	ns	

(VDD = 3.6 to 5.5V, Ta = -40 to +85°C)

Item	Signal	Symbol	Min.	Typ.	Max.	Unit	Remark
Address setup time	RS	t_{AS68}	10	-	-	ns	
Address hold time		t_{AH68}	10	-	-	ns	
System cycle time	RS	t_{AH68}	150	-	-	ns	
Enable pulse width	E-/RD	$t_{PW68(R)}$	25	-	-	ns	
		$t_{PW68(W)}$	65	-	-	ns	
Data setup time	DB7 to DB0	t_{DS68}	18	-	-	ns	
Data hold time		t_{DH68}	10	-	-	ns	

Access time		T_{ACC68}	-	-	65	ns	CL = 100pF
Output disable time		t_{OD68}	10	-	45		

c. Serial interface characteristics

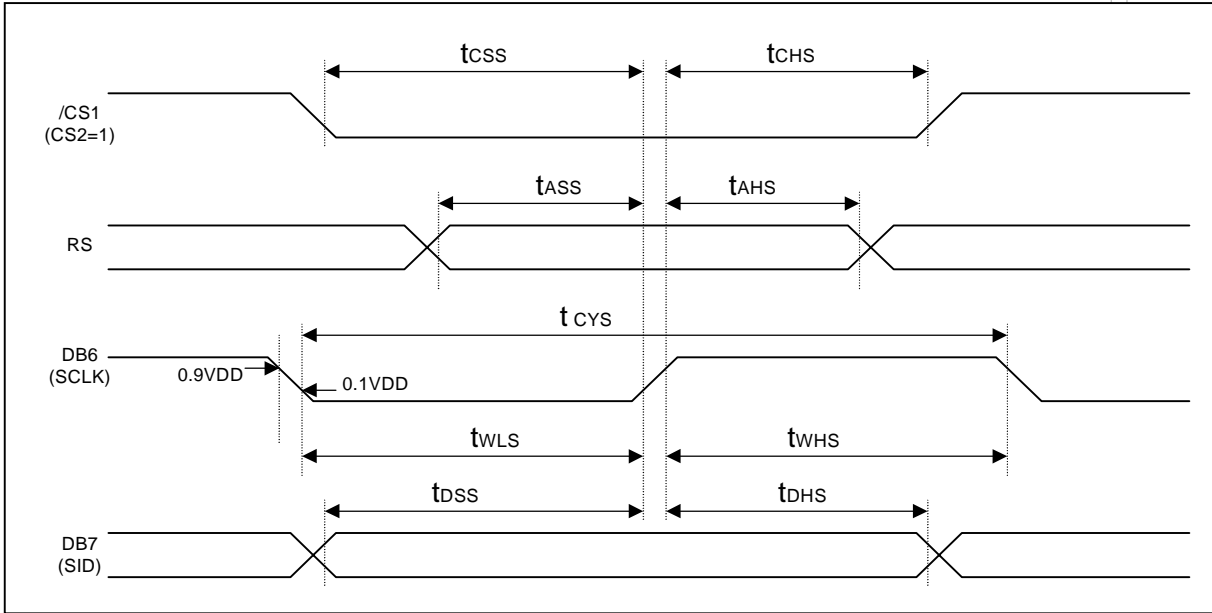


Figure 8-6. Serial interface characteristics

(VDD = 2.4 to 3.6V, Ta = -40 to +85°C)

Item	Signal	Symbol	Min.	Typ.	Max.	Unit	Remark
Serial clock cycle		t_{CYS}	450	-	-		
SCLK high pulse width	DB6 (SCLK)	t_{WHS}	180	-	-	ns	
SCLK low pulse width		t_{WLS}	135	-	-		
Address setup time	RS	t_{ASS}	90	-	-	ns	
Address hold time		t_{AHS}	360	-	-		
Data setup time	DB7 (SID)	t_{DSS}	90	-	-	ns	
Data hold time		t_{DHS}	90	-	-		
/CS1 set up time	/CS1	t_{CSS}	55	-	-	ns	
/CS1 hold time		t_{CHS}	180	-	-		

(VDD = 3.6 to 5.5V, Ta = -40 to +85°C)

Item	Signal	Symbol	Min.	Typ.	Max.	Unit	Remark
Serial clock cycle		t_{CYS}	225	-	-		
SCLK high pulse width	DB6 (SCLK)	t_{WHS}	90	-	-	ns	
SCLK low pulse width		t_{WLS}	70	-	-		
Address setup time	RS	t_{ASS}	45	-	-	ns	
Address hold time		t_{AHS}	180	-	-		
Data setup time	DB7 (SID)	t_{DSS}	45	-	-	ns	
Data hold time		t_{DHS}	45	-	-		

/CS1 set up time /CS1 hold time	/CS1	t_{CSS} t_{CHS}	25 90	-	-	ns	
------------------------------------	------	------------------------	----------	---	---	----	--

d. Reset input timing

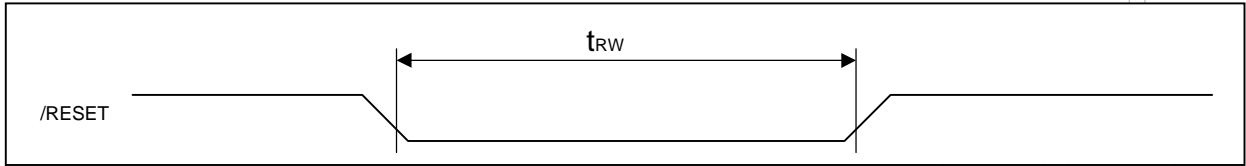


Figure 8-7. Reset input timing

(VDD = 2.4 to 3.6V, Ta = -40 to +85°C)

Item	Signal	Symbol	Min.	Typ.	Max.	Unit	Remark
Reset low pulse width	/RESET	t_{RW}	900	-	-	ns	

(VDD = 3.6 to 5.5V, Ta = -40 to +85°C)

Item	Signal	Symbol	Min.	Typ.	Max.	Unit	Remark
Reset low pulse width	/RESET	t_{RW}	450	-	-	ns	

e. Display control output timing

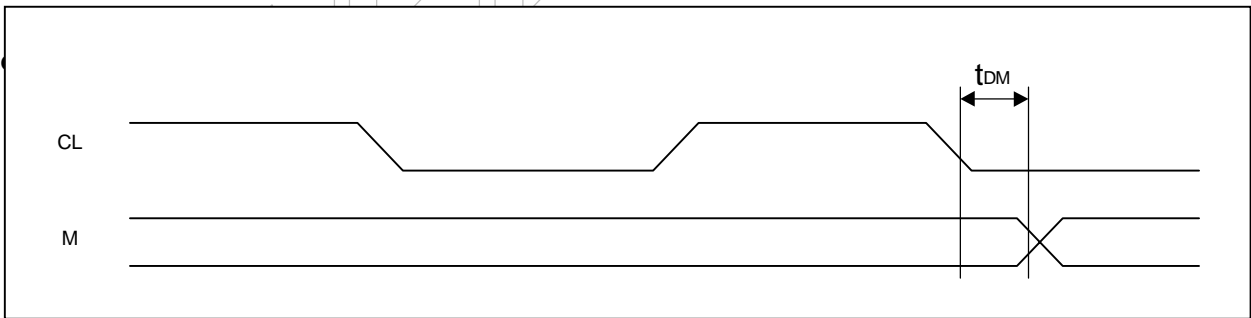


Figure 8-8. Display control output timing

(VDD = 2.4 to 3.6V, Ta = -40 to +85°C)

Item	Signal	Symbol	Min.	Typ.	Max.	Unit	Remark
M delay time	M	t_{DM}	-	13	70	ns	

(VDD = 3.6 to 5.5V, Ta = -40 to +85°C)

Item	Signal	Symbol	Min.	Typ.	Max.	Unit	Remark
M delay time	M	t _{DM}	-	10	35	ns	

9. REFERENCE APPLICATION

9-1. Microprocessor interface

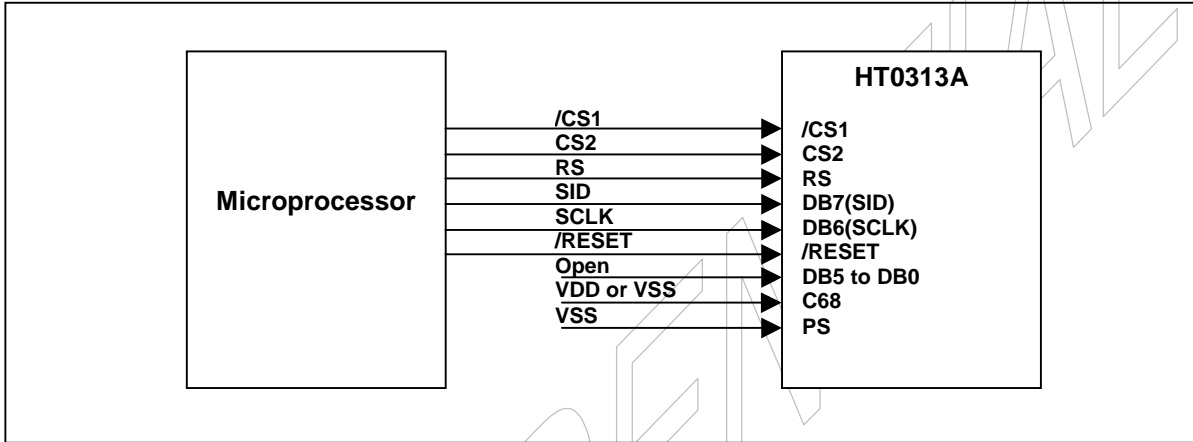


Figure 9-1. Serial Interface(PS = "L", C68 = "H or L", E_/RD = "H or L", RW_/WR = "H or L")

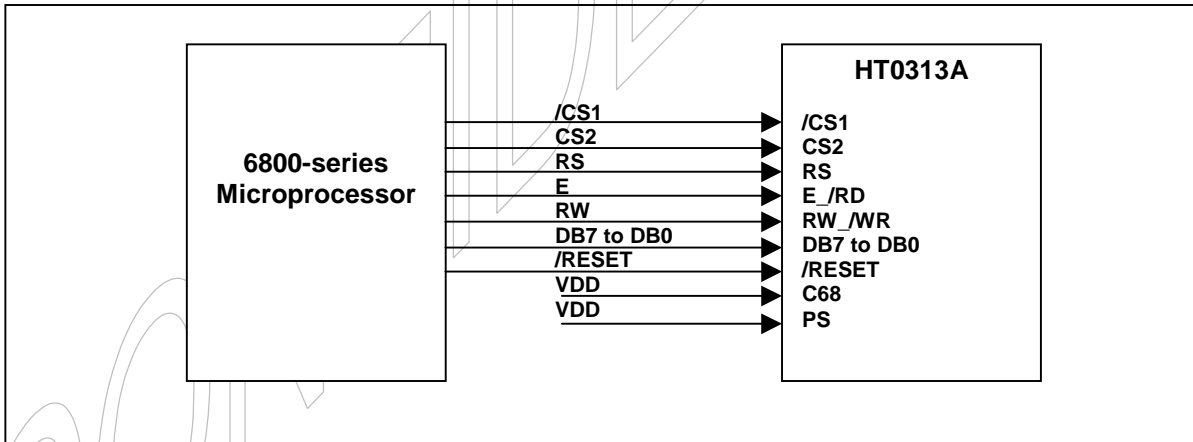


Figure 9-2. 6800-series MPU Interface(PS = "H", C68 = "H")

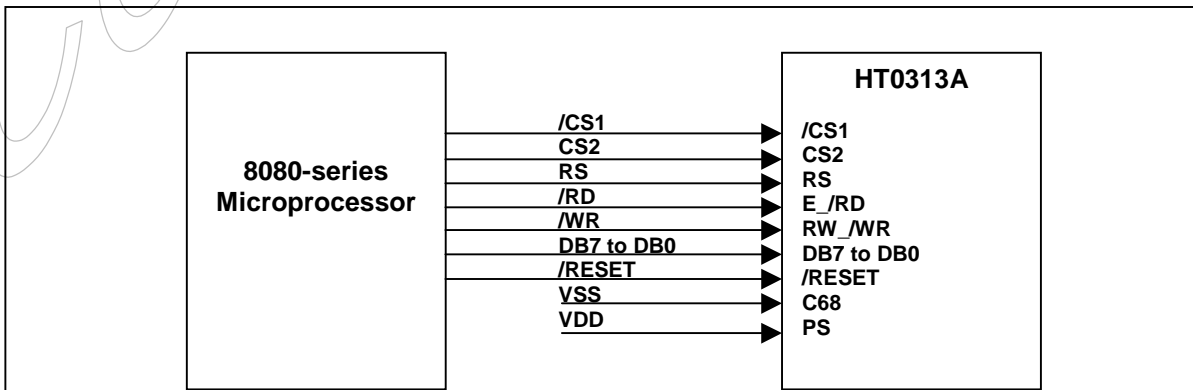


Figure 9-3. 8080-series MPU Interface(PS = "H", C68 = "L")

9-2. CONNECTIONS BETWEEN HT0313A AND LCD PANEL

a. Single chip configuration (1/65 duty configurations)

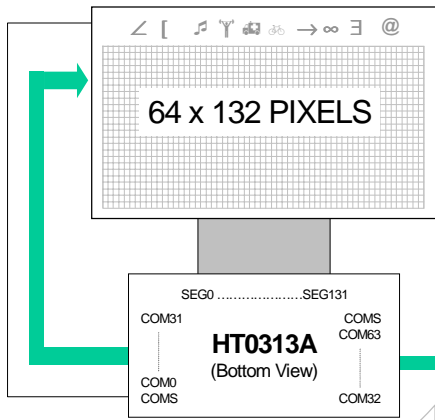


Figure 9-4. SHL = 0, ADC = 0

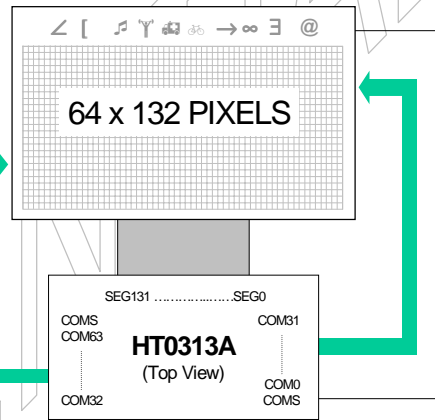


Figure 9-5. SHL = 0, ADC = 1

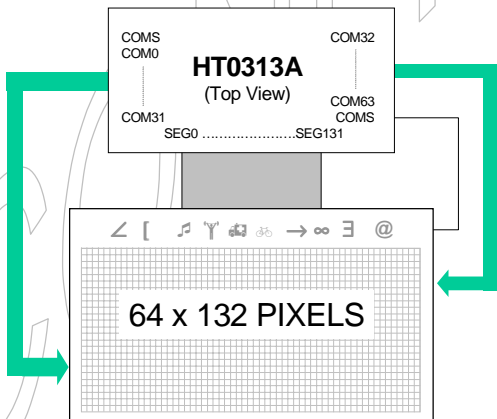


Figure 9-6. SHL = 1, ADC = 0

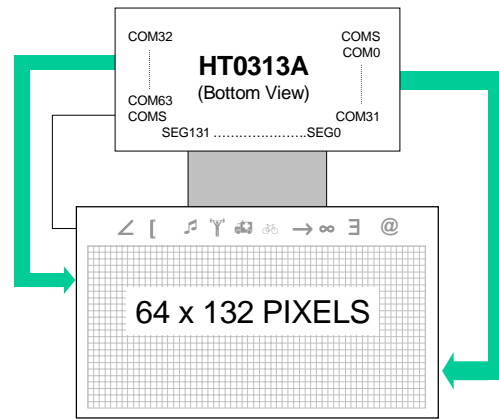
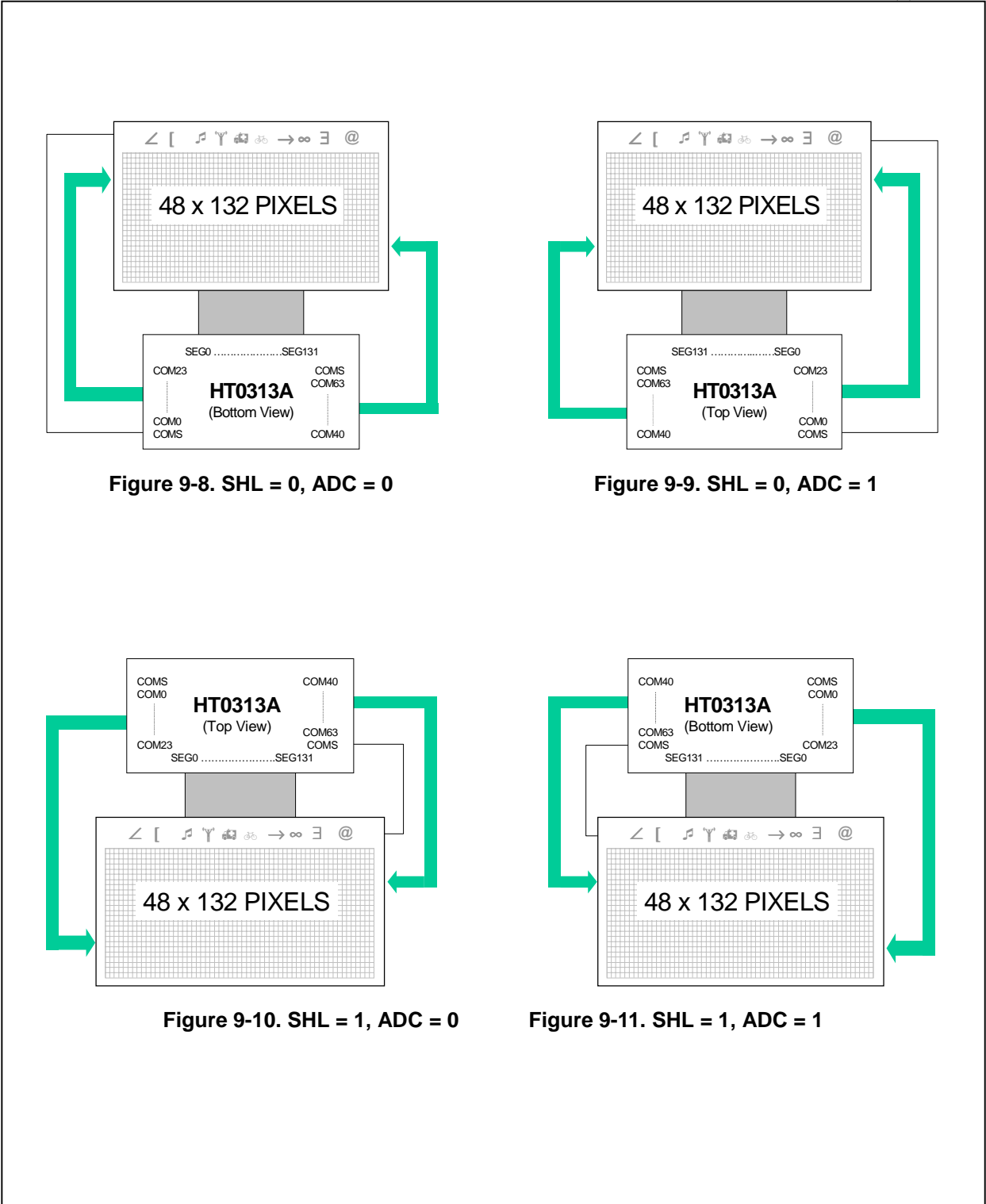


Figure 9-7. SHL = 1, ADC = 1

b. Single chip configuration (1/49 Duty configurations)



c. Single chip configuration (1/33 Duty Configurations)

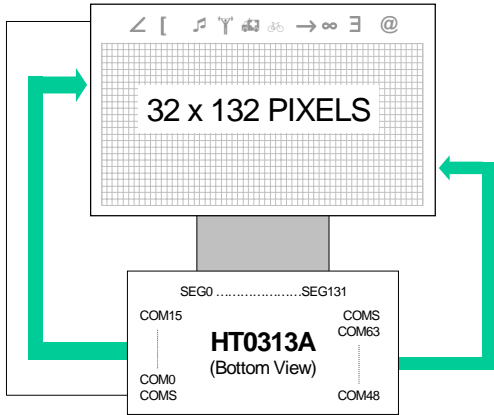


Figure 9-12. SHL = 0, ADC = 0

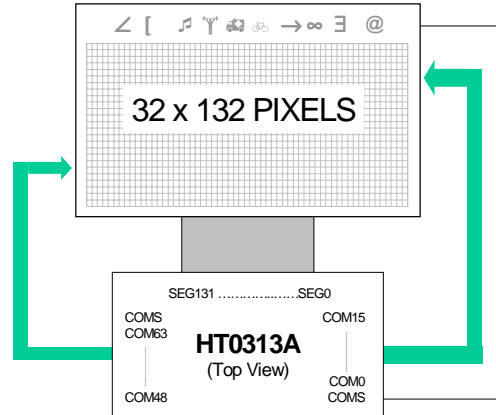


Figure 9-13. SHL = 0, ADC = 1

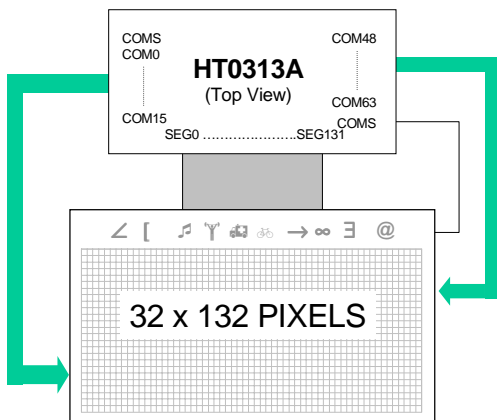


Figure 9-14. SHL = 1, ADC = 0

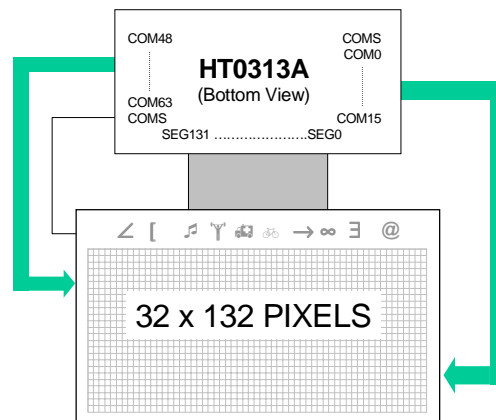


Figure 9-15. SHL = 1, ADC = 1

d. Multiple chip configuration

- 65COM (64COM + 1COMS) x 264SEG (132SEG x 2)

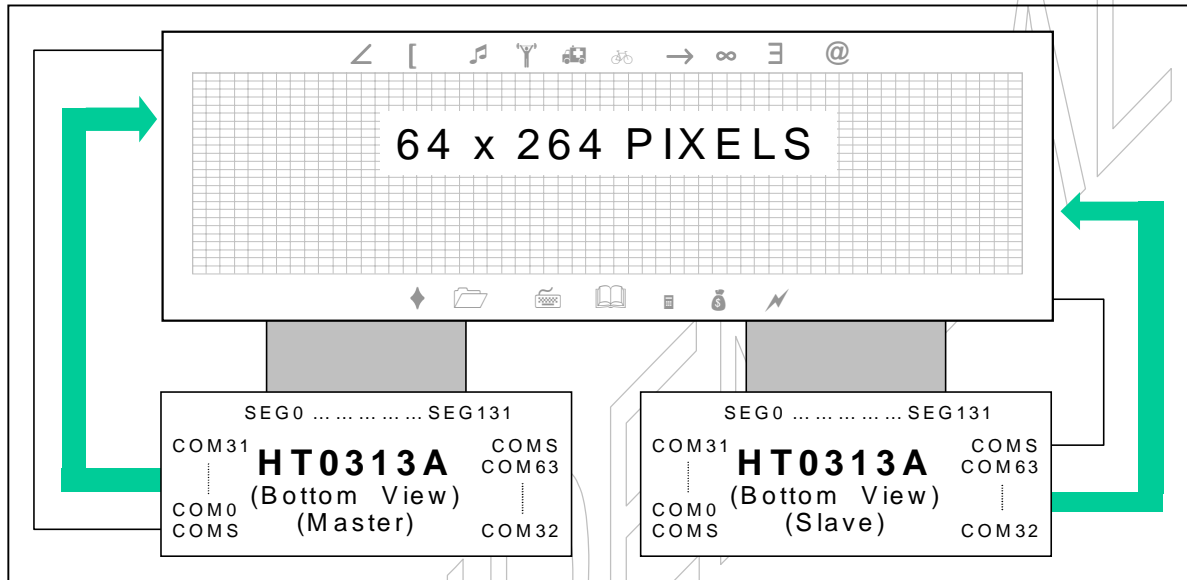


Figure 9-16. SHL = 0, ADC = 0

* Connect the following pins of two chips each other

- Display clock pins: CL, M
- Display control pin: DISP
- LCD power pins: V0, V1, V2, V3, V4

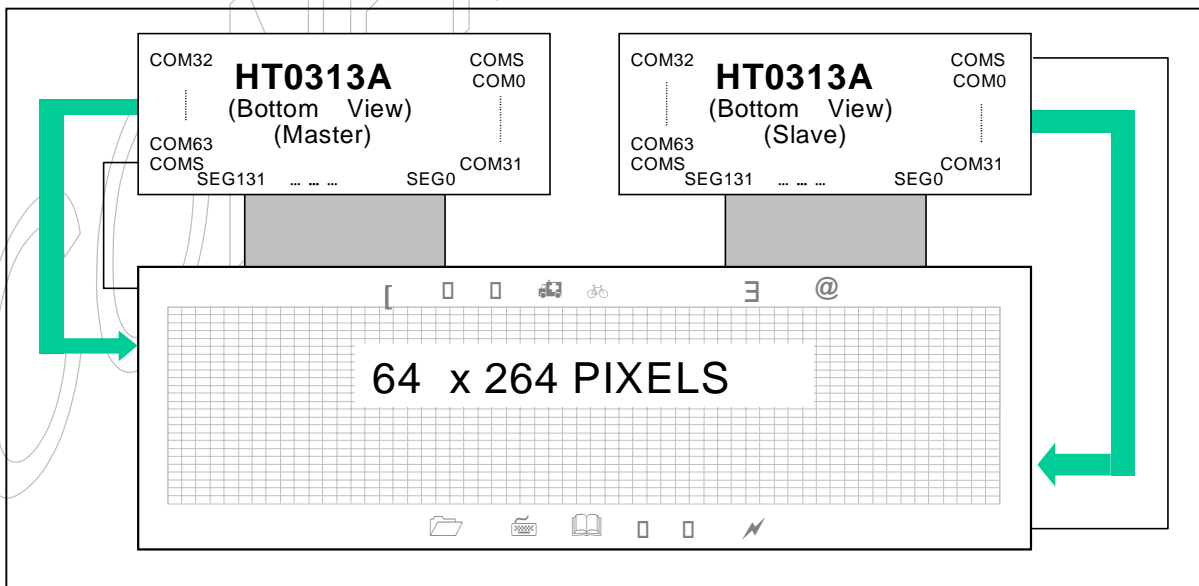


Figure 9-17. SHL = 1, ADC = 1

- * Connect the following pins of two chips each other
- Display clock pins: CL, M

- Display control pin: DISP
- LCD power pins: V0, V1, V2, V3, V4

- 130COM (128COM + 2COMS) x 132SEG

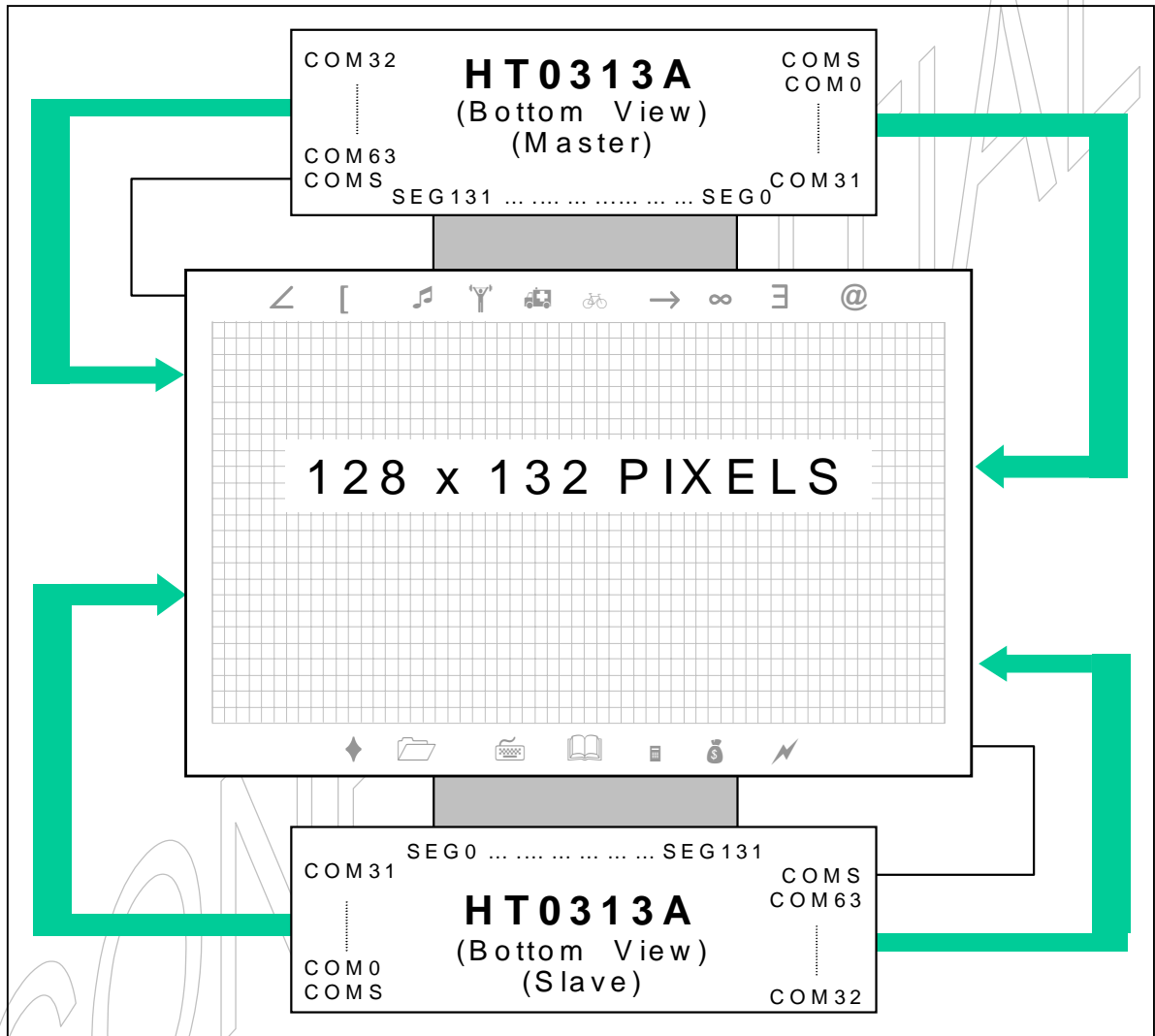


Figure 9-18. 130COM (128COM + 2COMS) x 132SEG

* Connect the following pins of two chips each other

- Display clock pins: CL, M
- Display control pin: DISP
- LCD power pins: V0, V1, V2, V3, V4

* Common / Segment output direction select

- Master chip: SHL = 1, ADC = 1
- Slave chip: SHL = 0, ADC = 0

9-3. TCP Pin lay out (sample)

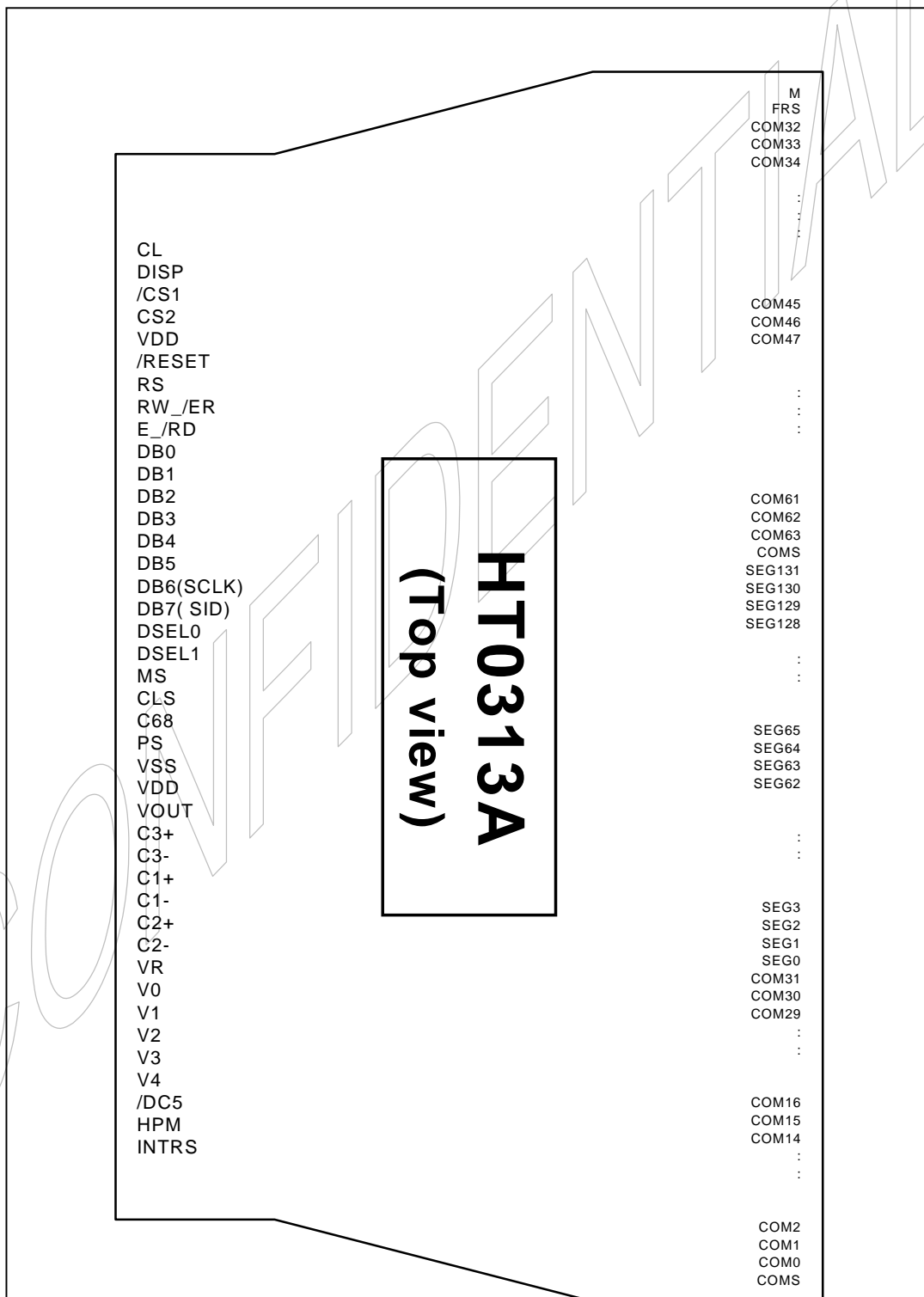


Figure 9-19. TCP pin layout

9-4. Application circuit for serial

a. Package type: TCP

b. Device mode : Master mode, Internal OSC, normal mode, 4-times boost-up, internal resistor

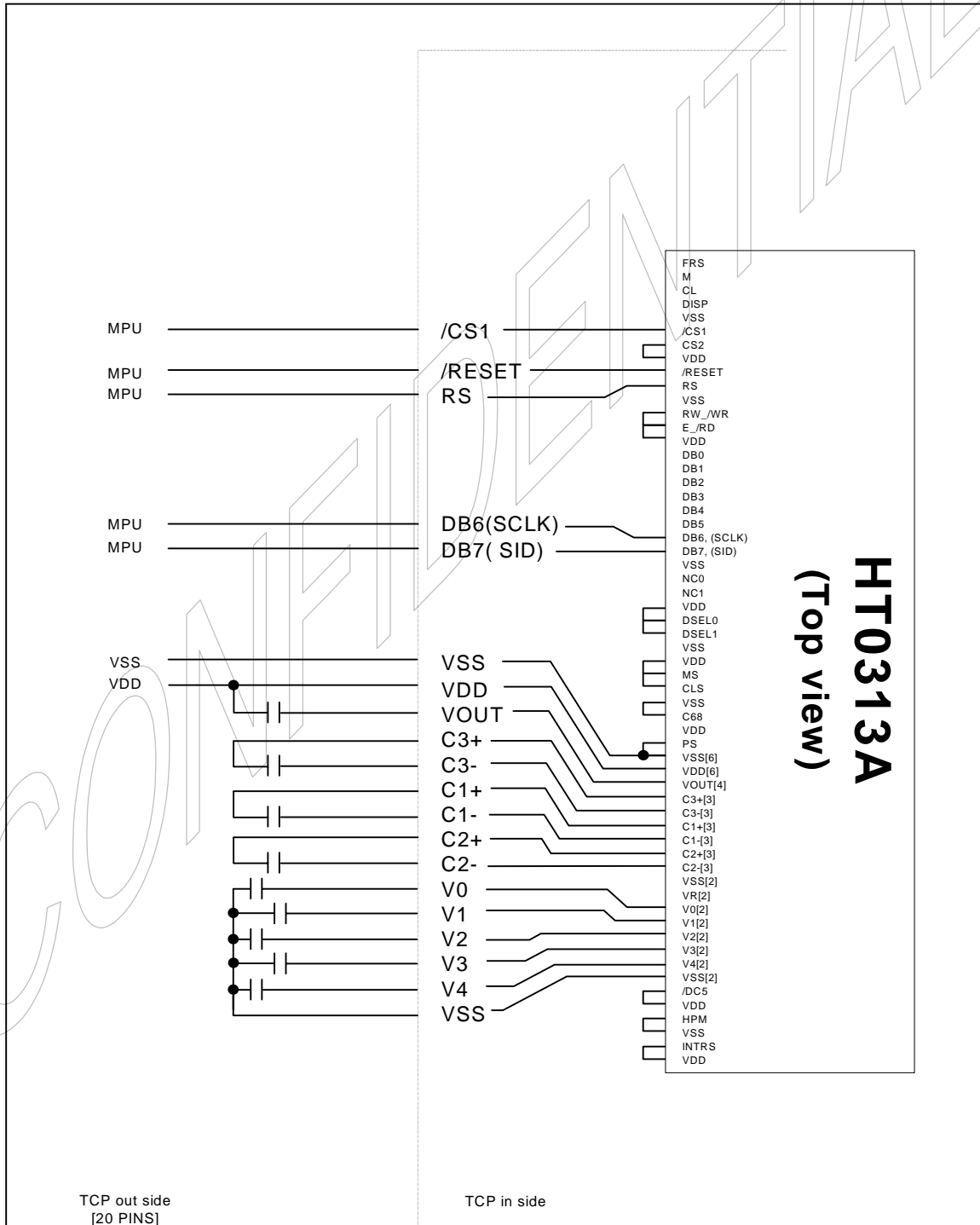


Figure 9-20. HT0313A Application circuit for serial

CONFIDENTIAL